

## DK50-10

- EN User manual
- DE Benutzerhandbuch
- FR Manuel de l'utilisateur
- RU Руководство пользователя
- PL Instrukcja obsługi
- SK Návod na použitie
- CS Návod k použití



COMPRESSOR  
KOMPRESSOR  
COMPRESSEUR  
КОМПРЕССОР  
SPRĘŻARKA  
KOMPRESOR

DK50-10



**EKOM spol. s r. o.**  
Priemyselná 5031/18  
SK-921 01 Piešťany  
Slovak Republic  
tel.: +421 33 7967255  
fax: +421 33 7967223

[www.ekom.sk](http://www.ekom.sk)  
email: [ekom@ekom.sk](mailto:ekom@ekom.sk)

DATE OF LAST REVISION  
DATUM DER LETZTEN ÜBERARBEITUNG  
DATE DE LA DERNIÈRE RÉVISION  
ДАТА ПОСЛЕДНЕЙ РЕДАКЦИИ  
DATA OSTATNIEJ AKTUALIZACJI  
DÁTUM POSLEDNEJ REVÍZIE  
DATUM POSLEDNÍ REVIZE

01/2022



NP-DK50-10-16\_01-2022-MD  
112000354-000

<b>EN</b>	<b><u>CONTENTS .....</u></b>	<b><u>5</u></b>
<b>DE</b>	<b><u>INHALT .....</u></b>	<b><u>42</u></b>
<b>FR</b>	<b><u>TABLES DES MATIÈRES .....</u></b>	<b><u>81</u></b>
<b>RU</b>	<b><u>ОГЛАВЛЕНИЕ .....</u></b>	<b><u>118</u></b>
<b>PL</b>	<b><u>SPIS TREŚCI .....</u></b>	<b><u>157</u></b>
<b>SK</b>	<b><u>OBSAH .....</u></b>	<b><u>194</u></b>
<b>CS</b>	<b><u>OBSAH .....</u></b>	<b><u>231</u></b>

## CONTENTS

<b>IMPORTANT INFORMATION</b> .....	<b>6</b>
1. CONFORMITY WITH THE REQUIREMENTS OF EUROPEAN UNION DIRECTIVES .....	6
2. INTENDED USE .....	6
3. CONTRAINDICATIONS AND SIDE-EFFECTS.....	6
4. WARNINGS AND SYMBOLS .....	6
5. WARNINGS .....	7
6. STORAGE AND TRANSPORT .....	9
7. TECHNICAL DATA.....	10
8. PRODUCT DESCRIPTION .....	16
9. PRODUCT FUNCTIONALITY .....	17
10. PNEUMATIC DIAGRAM.....	21
<b>INSTALLATION</b> .....	<b>22</b>
11.CONDITIONS FOR USE .....	22
12.PLACEMENT OF THE COMPRESSOR .....	23
13.PNEUMATIC CONNECTIONS .....	24
14.ELECTRICAL CONNECTIONS .....	24
15.CONNECTION DIAGRAM.....	25
<b>OPERATION</b> .....	<b>30</b>
16.COMMISSIONING .....	30
17.SWITCHING THE COMPRESSOR ON .....	31
18.COMPRESSOR SHUT-DOWN .....	31
<b>MAINTENANCE</b> .....	<b>32</b>
19.DEVICE MAINTENANCE .....	32
<b>TROUBLESHOOTING</b> .....	<b>40</b>
20.REPAIR SERVICE.....	41
21.STORAGE .....	41
22.DISPOSAL OF THE DEVICE .....	41
<b>ANNEX</b> .....	<b>268</b>
23.INSTALLATION RECORD.....	268

## **IMPORTANT INFORMATION**

### **1. CONFORMITY WITH THE REQUIREMENTS OF EUROPEAN UNION DIRECTIVES**

This product conforms to the requirements of the Regulation (EU) on medical devices (MDR 2017/745) and is safe for the intended use if all safety instructions are followed.

### **2. INTENDED USE**

The compressor is used as a source of clean, oil-free compressed air to power active medical devices where the parameters and properties of the compressed air are suitable for the specific application.



**Compressed air supplied by the compressor is unsuitable for use with artificial lung ventilation devices without further filtration.**

Any other use of the product beyond its intended use is considered an incorrect use. The manufacturer is not liable for any damages or injuries resulting from the incorrect use.

### **3. CONTRAINDICATIONS AND SIDE-EFFECTS**

There are no contraindications or side-effects known.

### **4. WARNINGS AND SYMBOLS**

The following symbols are used in the user manual, device and its packaging to denote important details and information:



General warnings



Warning



Danger, electric shock hazard



Read the user manual!



Refer to instruction manual



CE-marking



Medical device



Serial number



Compressor is controlled automatically and may start without warning



Caution! Hot surface



Ground connection



Handling mark on package – FRAGILE



Handling mark on package – THIS SIDE UP



Handling mark on package – KEEP DRY



Handling mark on package – TEMPERATURE LIMITATIONS



Handling mark on package – LIMITED STACKING



Mark on package – RECYCLABLE MATERIAL



Manufacturer

## 5. WARNINGS

The product is designed and manufactured to be safe for the user and the surrounding environment when used in the defined manner. Keep the following warnings in mind.

### 5.1. General warnings

**READ THE USER MANUAL CAREFULLY BEFORE USING THE DEVICE AND KEEP IT FOR FUTURE USE!**

- The user manual supports the correct installation, operation and maintenance of the product. Careful review of this manual will provide the information necessary for the correct operation of the product for its intended use.
- Original packaging should be retained for the return of the device. Only the original packaging ensures protection of the device during transport. If it is necessary to return the product during the warranty period, the manufacturer is not liable for damages caused by improper packaging.
- This warranty does not cover damages originating from the use of accessories other than those specified or recommended by the manufacturer.
- The manufacturer only guarantees the safety, reliability and function of the device if:
  - installation, new settings, changes, expansion, and repairs are performed by the manufacturer or an organisation authorised by the manufacturer.
  - the product is used pursuant to the user manual.
- The user manual corresponds to the configuration of the product and its compliance with the applicable safety and technical standards at the time of printing. The manufacturer reserves all rights for the protection of its configuration, methods and names.
- Translation of the user manual is performed in accordance with the best available knowledge. The Slovak version is to be used in the event of any uncertainties.

- This user manual is the original instructions. Translation is performed in accordance with the best available knowledge.

## 5.2. General safety warnings

The manufacturer designed and manufactured the product to minimise all risks when used correctly for the intended use. The manufacturer considers it its obligation to lay down the following general safety precautions.

- Use and operation of the product must comply with all laws and local regulations valid in the place of use. The operator and user are responsible for following all the appropriate regulations in the interests of performing work safely.
- Only the use of original parts guarantees the safety of operating personnel and the flawless operation of the product itself. Only the accessories and parts mentioned in the technical documentation or expressly approved by the manufacturer should be used.
- The operator must ensure that the device is functioning correctly and safely before every use.
- The user must be familiar with the operation of the device.
- Do not use the product in environments with a risk of explosion.
- The user must inform the supplier immediately if any problem directly related to the operation of the device occurs.
- Any serious incident that has occurred in relation to the device should be reported to the manufacturer and the competent authority of the Member State in which the user and / or patient is established.

## 5.3. Safety warnings on protection from electric current

- The device must only be connected to a properly installed, earthed socket.
- Before the product is plugged in, ensure that the mains voltage and frequency stated on the product are in compliance with the values of the mains.
- Prior to putting the device into operation check for any damage to the connected pneumatic lines and electrical wiring. Replace damaged pneumatic lines and electrical wirings immediately.
- Immediately disconnect the product from the mains (remove power cord from the socket) in hazardous situations or in the case of a technical malfunction.
- During all repairs and maintenance, ensure that:
  - the mains plug is removed from the power socket
  - pressure is vented from the air tank and pipes
- The product shall only be installed by a qualified technician.

## 6. STORAGE AND TRANSPORT

The compressor is shipped from the factory in a transport packaging. This protects the device from damage during transport.



**The original compressor packaging must be used for transport whenever possible. Transport the compressor in an upright position, always secured with transport fixation.**



Protect the compressor from moisture, dirt and extreme temperatures during transport and storage. Store the compressor in its original packaging in a warm, dry, and dust-free area. Do not store near any chemical substances.



Keep the packaging material, if possible. If not, please dispose of the packaging material in an environmentally-friendly way. Packaging cardboard can be recycled with old paper.



**The compressor may only be transported when all air pressure has been vented. Before moving or transporting the compressor, release all air pressure from the tank and hoses and drain condensate from the air tank.**



**Storing or shipping the equipment in any conditions other than those specified below is prohibited.**

### Ambient conditions for storage and transport

Products may only be stored and transported in vehicles that are free of any traces of volatile chemicals under the following conditions:

**Temperature**

–25°C to +55°C, 24 h at up to +70°C

**Relative humidity**

max. 90% (non-condensing)

## 7. TECHNICAL DATA

Compressors are designed for dry and ventilated indoor environments with the following conditions:

**Temperature** +5°C to +40°C

**Relative humidity** max. 70%

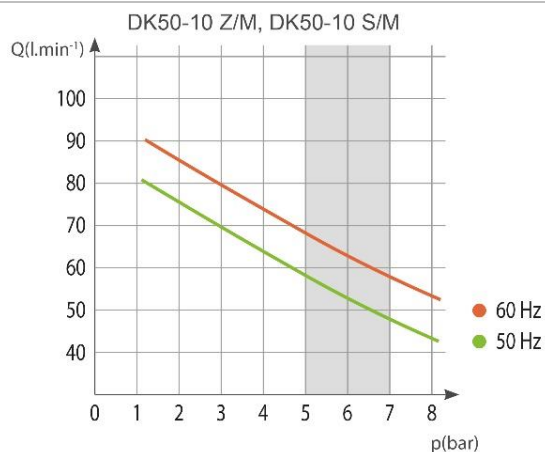
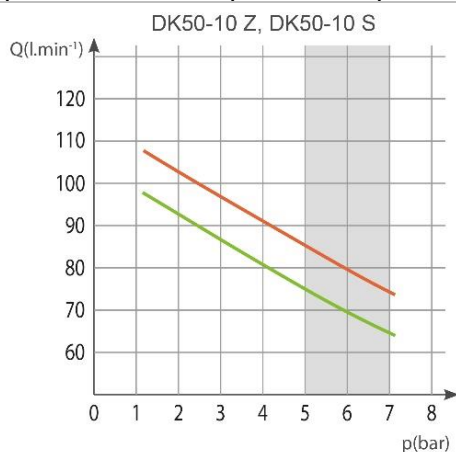
Tab.1

5 – 7 bar		DK50-10 Z		DK50-10 S		DK50-10 Z/M		DK50-10 S/M	
Rated voltage / frequency (*)	V / Hz	230 / 50/60	115 / 60	230 / 50/60	115 / 60	230 / 50/60	115 / 60	230 / 50/60	115 / 60
Performance at 5 bar	Lit.min-1	75/85	85	75/85	85	58/68	68	58/68	68
Working pressure (**)	bar	5.0 – 7.0		5.0 – 7.0		5.0 – 7.0		5.0 – 7.0	
Rated current	A	3.8/4.8	8.9	3.8/4.8	8.9	4.1/5.1	9.1	4.1/5.1	9.1
Motor power	kW	0.55		0.55		0.55		0.55	
Air tank volume	Lit.	10		10		10		10	
Air quality – filtration	µm	-		-		0.1		0.1	
Maximum operating pressure of safety valve	bar	8.0		8.0		8.0		8.0	
Noise level at 5 bar	LpA [dB]	≤64/≤66	≤66	≤46/≤49	≤49	≤65/≤67	≤67	≤49/≤52	≤52
Duty cycle		S1-100%		S1-100%		S1-100%		S1-100%	
PDP - drying performance at 7 bar		-		-		≤ +3°C		≤ +3°C	
Time to fill air tank from 0 to 6 bar	s	50/44	44	50/44	44	70/60	60	70/60	60
Dimensions (net) w x d x h	mm	485x350x553		580x440x655		544x350x553		649x440x655	
Net weight (***)	kg	38		53		44		61	
Classification under EN 60601-1		Class I.							

Notes:

- (\*) When ordering, state the version of the compressor
- (\*\*) For other range of pressure:consult with the supplier
- (\*\*\*) Information about the weight is for informative purposes only and applies to the product without any additional accessories.

### Dependence of compressor output on working pressure



Tab. 2

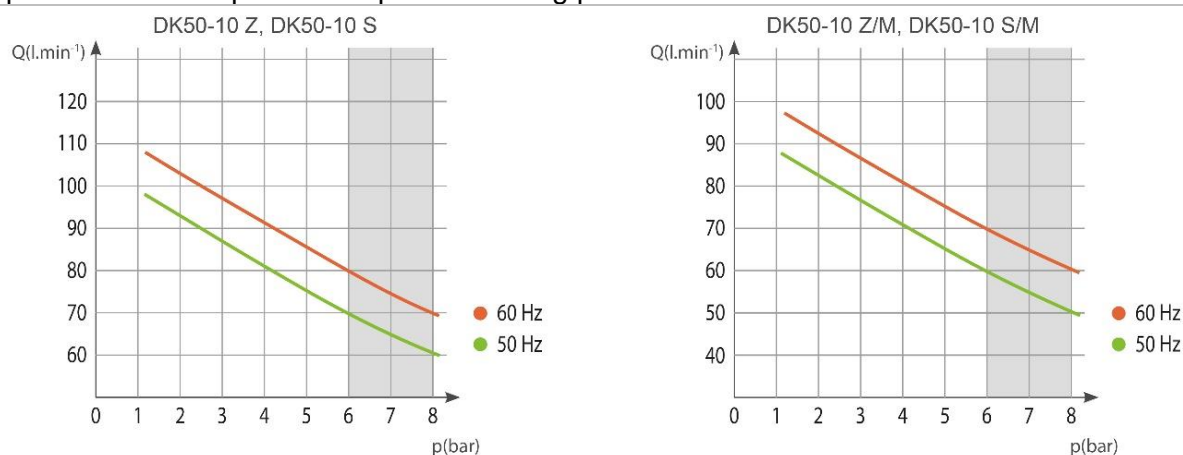
6 – 8 bar		DK50-10 Z		DK50-10 S		DK50-10 Z/M		DK50-10 S/M	
Rated voltage / frequency (*)	V / Hz	230 / 50/60	115 / 60	230 / 50/60	115 / 60	230 / 50/60	115 / 60	230 / 50/60	115 / 60
Performance at 6 bar	Lit.min-1	70/80	80	70/80	80	60/70	70	60/70	70
Working pressure (**)	bar	6.0 – 8.0		6.0 – 8.0		6.0 – 8.0		6.0 – 8.0	
Rated current	A	3.9/4.9	9	3.9/4.9	9	4.1/5.1	9.2	4.1/5.1	9.2
Motor power	kW	0.55		0.55		0.55		0.55	
Air tank volume	Lit.	10		10		10		10	
Air quality – filtration	µm	-		-		0.1		0.1	
Maximum operating pressure of safety valve	bar	12.0		12.0		12.0		12.0	
Noise level at 5 bar	LpfA [dB]	≤64/≤66	≤66	≤46/≤49	≤49	≤65/≤67	≤67	≤49/≤52	≤52
Duty cycle		S1-100%		S1-100%		S1-100%		S1-100%	
PDP drying performance at 7 bar		-		-		≤ +3°C		≤ +3°C	
Time to fill air tank from 0 to 7 bar	s	60/51	51	60/51	51	72/61	61	72/61	61
Dimensions (net) w x d x h	mm	485x350x553		580x440x655		544x350x553		649x440x655	
Net weight (***)	kg	38		53		44		61	
Classification under EN 60601-1		Class I.							

**Notes:**

(\*) When ordering, state the version of the compressor

(\*\*) For other range of pressure:consult with the supplier

(\*\*\*) Information about the weight is for informative purposes only and applies to the product without any additional accessories.

**Dependence of compressor output on working pressure**


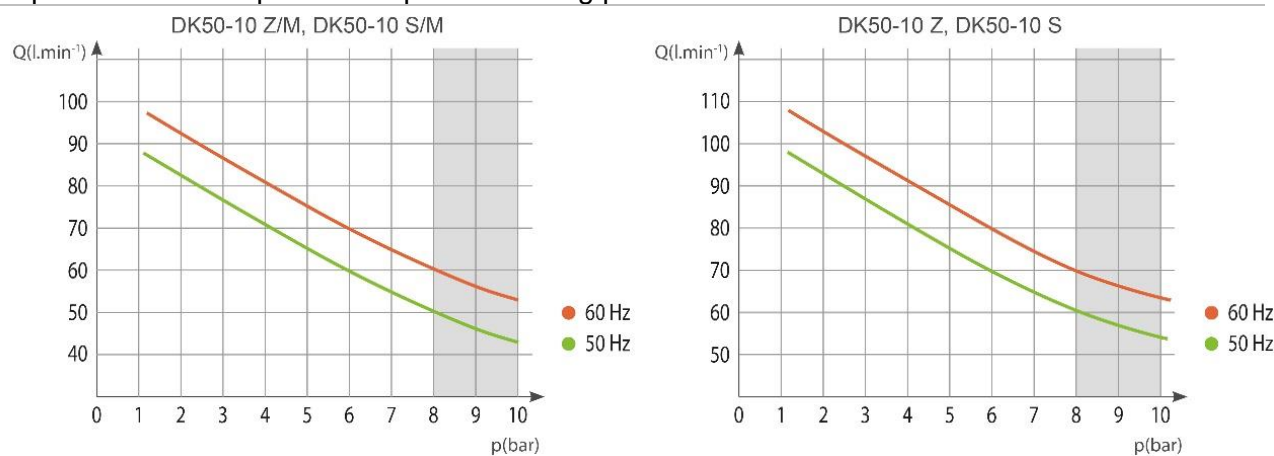
Tab. 3

8 – 10 bar		DK50-10 Z		DK50-10 S		DK50-10 Z/M		DK50-10 S/M	
Rated voltage / frequency (*)	V / Hz	230 / 50/60	115 / 60	230 / 50/60	115 / 60	230 / 50/60	115 / 60	230 / 50/60	115 / 60
Performance at 8 bar	Lit.min-1	60/70	70	60/70	70	50/60	60	50/60	60
Working pressure (**)	bar	8.0 – 10.0		8.0 – 10.0		8.0 – 10.0		8.0 – 10.0	
Rated current	A	4.1/5.1	9.2	4.1/5.1	9.2	4.3/5.3	9.4	4.4/5.4	9.4
Motor power	kW	0.55		0.55		0.55		0.55	
Air tank volume	Lit.	10		10		10		10	
Air quality – filtration	µm	-		-		0.1		0.1	
Maximum operating pressure of safety valve	bar	12.0		12.0		12.0		12.0	
Noise level at 5 bar	L <sub>pfA</sub> [dB]	≤64/≤66	≤66	≤46/≤49	≤49	≤65/≤67	≤67	≤49/≤52	≤52
Duty cycle		S1-100%		S1-100%		S1-100%		S1-100%	
PDP drying performance at 7 bar		-		-		≤ +3°C		≤ +3°C	
Time to fill air tank from 0 to 9 bar	s	85/75	75	85/75	75	96/82	82	96/82	82
Dimensions (net) w x d x h	mm	485x350x553		580x440x655		544x350x553		649x440x655	
Net weight (***)	kg	38		53		44		61	
Classification under EN 60601-1		Class I.							

## Notes:

- (\*) When ordering, state the version of the compressor
- (\*\*) For other range of pressure:consult with the supplier
- (\*\*\*) Information about the weight is for informative purposes only and applies to the product without any additional accessories.

## Dependence of compressor output on working pressure



### 7.1. FAD correction of capacity for altitude

Capacity given in the form of FAD („Free Air Delivery“) applies to the following conditions:

Altitude	0 m.n.m.	Temperature	20°C
Atmospheric pressure	101325 Pa	Relative humidity	0%

To calculate FAD compressor capacity in dependence on altitude, it is necessary to apply correction factor according to the following table:

Altitude [m.n.m.]	0 -1500	1501 - 2500	2501 - 3500	3501 - 4500
FAD correction factor	1	0.80	0.71	0.60

### 7.2. Electromagnetic compatibility declaration

Medical equipment needs special precautions regarding electromagnetic compatibility (EMC) and needs to be installed and put into service according to the EMC information provided below.

Guidance and manufacturer's declaration - electromagnetic emissions		
Pursuant to IEC 60601-1-2:2014 - Medical electrical equipment - Part 1-2: General requirements for basic safety and essential performance - Collateral Standard: Electromagnetic disturbances		
The equipment is intended for use in the electromagnetic environment specified below. The customer or the user of the equipment should assure that it is used in such an environment.		
Emissions test	Compliance	Electromagnetic environment - guidance
RF emissions CISPR 11	Group 1	The equipment uses RF energy only for its internal functions. Therefore, the RF emissions are very low and are not likely to cause any interference in nearby electronic equipment.
RF emissions CISPR 11	Class B	The equipment is suitable for use in all establishments, including domestic establishments and those directly connected to the public low voltage power supply network that supplies buildings used for domestic purposes.
Harmonic emissions IEC 61000-3-2	Class A	
Voltage fluctuations/ flicker emissions IEC 61000-3-3	The equipment is not likely to cause any flicker, as the current flow is approx. constant after the start up.	


### Guidance and manufacturer's declaration - electromagnetic immunity

Pursuant to IEC 60601-1-2:2014 - Medical electrical equipment - Part 1-2: General requirements for basic safety and essential performance - Collateral Standard: Electromagnetic disturbances

The equipment is intended for use in the electromagnetic environment specified below. The customer or the user of the equipment should assure that it is used in such an environment.

Immunity test	IEC 60601-1-2 test level	Compliance level	Electromagnetic environment - guidance
Electrostatic discharge (ESD) IEC 61000-4-2	±8 kV contact ±15 kV air	±8 kV contact ±15 kV air	Floors should be wood, concrete or ceramic tile. If floors are covered with synthetic material, the relative humidity should be at least 30%.
Electrical fast transient/burst IEC 61000-4-4	±2 kV for power supply lines ±1 kV for input/output lines	±2 kV 100 kHz repetition frequency Applied to mains connection	Mains power quality should be that of a typical commercial or hospital environment.
Surge IEC 61000-4-5	±1 kV differential mode ±2 kV common mode	±1 kV L-N ±2 kV L-PE; N-PE Applied to mains connection	Mains power quality should be that of a typical commercial or hospital environment.
Voltage dips, short interruption, and voltage variations on power supply input lines IEC 60601-4-11	$U_T=0\%$ , 0,5 cycle (at 0, 45, 90, 135, 180, 225, 270 and 315°) $U_T=0\%$ , 1 cycle $U_T=70\%$ 25/30 cycles (at 0°) $U_T=0\%$ , 250/300 cycles	$U_T=>95\%$ , 0,5 cycle (at 0, 45, 90, 135, 180, 225, 270 and 315°) $U_T=>95\%$ , 1 cycle $U_T=70\%$ (30% dipp $U_T$ ), 25(50Hz)/30(60Hz) cycles (at 0°) $U_T=>95\%$ , 250(50Hz)/300(60Hz) cycle	Mains power quality should be that of a typical commercial or hospital environment. The device stops and restarts automatically at each dip. In this case does not occur unacceptable pressure drop.
Power frequency (50/60 Hz) IEC 61000-4-8	N/A	N/A	The equipment does not contain magnetically sensitive components or circuits.

NOTE:  $U_T$  is the A.C. mains voltage prior to application of the test level.

<b>Guidance and manufacturer's declaration - electromagnetic immunity</b>			
Pursuant to IEC 60601-1-2:2014 - Medical electrical equipment - Part 1-2: General requirements for basic safety and essential performance - Collateral Standard: Electromagnetic disturbances			
The equipment is intended for use in the electromagnetic environment specified below. The customer or the user of the equipment should assure that it is used in such an environment.			
<b>Immunity test</b>	<b>IEC 60601-1-2 test level</b>	<b>Compliance level</b>	<b>Electromagnetic environment - guidance</b>
Conducted RF IEC 61000-4-6	3 Vrms 150 kHz to 80MHz	3 Vrms	Portable and mobile RF communications equipment should be used no closer to any part of the equipment, including cables, than the recommended separation distance calculated from the equation applicable to the frequency of the transmitter.  <b>Recommended separation distance</b>  $d=1,2\sqrt{P}$  $d=1,2\sqrt{P}$ , 80 MHz to 800 MHz  $d=2,3\sqrt{P}$ , 800 MHz to 2,7 GHz
Radiated RF IEC 61000-4-3	3 V/m 80 MHz to 2,7 GHz	3 V/m	where P is the maximum output power rating of the transmitter in watts (W) according to the transmitter manufacturer and d is the recommended separation distance in metres (m).  Field strengths from fixed RF transmitters, as determined by an electromagnetic site survey <sup>a</sup> , should be less than the compliance level in each frequency range <sup>b</sup> . Interference may occur in the vicinity of equipment marked with the following symbol:  
Proximity fields from RF wireless communications equipment IEC 61000-4-3	9 to 28 V/m 15 specific frequencies (380 to 5800 MHz)	9 to 28 V/m 15 specific frequencies (380 to 5800 MHz)	
NOTE 1 At 80 MHz and 800 MHz, the higher frequency range applies. NOTE 2 These guidelines may not apply in all situations. Electromagnetic propagation is affected by absorption and reflection from structures, objects and people.			
<sup>a</sup> Field strengths from fixed transmitters, such as base stations for radio (cellular/cordless) telephones and land mobile radios, amateur radio, AM and FM radio broadcast and TV broadcast cannot be predicted theoretically with accuracy. To assess the electromagnetic environment due to fixed RF transmitters, an electromagnetic site survey should be considered. If the measured field strength in the location in which the equipment is used exceeds the applicable RF compliance level above, the equipment should be observed to verify normal operation. If abnormal performance is observed, additional measures may be necessary, such as re-orienting or relocating the equipment. <sup>b</sup> Over the frequency range 150 kHz to 80 kHz, field strengths should be less than 3 V/m.			

## 8. PRODUCT DESCRIPTION

### 8.1. Variants

Compressor models are designed in the following variants:

**DK50-10 Z** a base-mounted compressor for stand-alone installation in a given room

**DK50-10 Z/M** a base-mounted compressor with an air dryer

**DK50-10 S** a compressor in a cabinet with effective soundproofing for in-office installations

**DK50-10 S/M** a compressor with membrane dryer in a cabinet



**DK50-10 Z**



**DK50-10 Z/M**



**DK50-10 S**  
**DK50-10 S/M**

### 8.2. Accessories

Accessories not included in the standard order must be ordered separately!

#### 8.2.1. Automatic condensate drain

The automatic condensate drain (AOK) automatically drains condensate from the compressor's air tank based on a pre-set time interval. The condensate drain (AOK) is a suitable accessory for compressor models without dryers.

Type	Use	Article number
AOK 10	DK50-10Z	447000001-046

#### 8.2.2. Set of compressed air outlet filters

The compressor may be equipped with a set of filters if specified. The filter set may be equipped with an air pressure regulator.



Where a different level of air filtration is required, this requirement must be agreed upon with the supplier and specified in the order.

Type	Use	Level of filtration ( $\mu\text{m}$ )	Article number
FS 20F		1	604014119-003
FS 20M	DK50-10Z	1+0.1	604014119-009
FS 20S	DK50-10Z/M	1+0.01	604014119-012
FS 20A		1+0.01+A**	604014119-013

\*\* ) A – submicrofilter with activated carbon

### 8.2.3. Filter set regulator assembly

The compressor may be equipped with a pressure regulator of the compressed air outlet if specified. The regulator must be selected according to the application to the filter set, or separately. The regulator shall ensure constant pressure at the outlet.

Type	Use	Article number
Regulator complete (to the filter assembly)	DK50-10Z, DK50-10Z/M	604014142-000
REG10 (separate)		447000001-042

### 8.2.4. Filter set brackets



A suitable bracket must be ordered for every filter set.

Type	Use	Article number
Compressor-mounted bracket	DK50-10Z, DK50-10Z/M	603002108-000
Wall-mounted bracket		604014186-000

### 8.2.5. Condensation and filtration unit

The compressor may be additionally fitted with a condensation and filtration unit (KJF-1 or KJFR-1). The KJF-1 or KJFR-1 ensure that the compressed air from the air tank is cooled in the cooler and the condensate is captured in the filter and automatically separated from the pneumatic distribution system. The compressed air is filtered at the same time.

Type	Use	Level of filtration / $\mu$ m/	Pressure regulator	Article number
KJF-1	DK50-10Z	5	no	450001011-001
KJFR-1	DK50-10Z/M		yes	450001011-002

## 9. PRODUCT FUNCTIONALITY

### Compressor (Fig. 1)

The air pump (1) draws in atmospheric air through an inlet filter (8) and compresses it through a non-return valve (3) into an air tank (2) from which the device draws compressed air. If the pressure in the air tank drops to the switch-on pressure, the pressure switch (4) turns on the compressor and the compressor supplies compressed air into the air tank until it reaches the switch-off pressure, when the compressor switches off. The pressure hose is vented through the relief solenoid valve (13) once the air pump is shut off. The safety valve (5) prevents the pressure in the air tank from rising above the maximum allowed value. The drain valve (7) drains condensate from the air tank. Compressed, oil-free filtered air is stored in the air tank ready for use. Condensate must be drained from the air tank at regular intervals (see Chapter 19.1).

### Compressor with membrane dryer (Fig. 2)

The air pump (1) draws in air through an inlet filter (8) and compresses it, feeding it to the cooler (14) through the filter (15) and the check valve (3) into the dryer (9), and feeds the clean and dry air into the air tank (2). A part of the air is released from the dryer with the captured moisture, which is manifested as a light air stream along the body of the dryer (9). Condensate from the filter is automatically drained at regular intervals into the collecting bottle via the condensate drain solenoid valve (16). The dryer ensures continuous drying of the compressed air. The drain valve (7) drains condensate from the air tank when drying performance is checked. Compressed, oil-free filtered air is stored in the air tank ready for use.

For the membrane dryer to work as intended, the dryer is connected directly to the air tank without the use of a check valve. As the membrane dryer contains selective membrane fibres, there is a small amount of air leakage through them (about 0.5 bar/30 min)

This is why there is a gradual, slow drop in pressure even when there is no demand for compressed air (from the air tank), however, this is not a malfunction.

The pressure vessel does not need to be drained.

**Compressor cabinet**

The soundproof cabinet provides compact covering of the compressor, allowing sufficient exchange of cooling air. With its design It can be placed in a dentist's office as a part of furniture. The fan under the air pump of a compressor provides cooling of compressor and it is in operation at the same time with an engine of the compressor. After prolonged use the temperature in the cabinet may rise above 40°C, causing the cooling fan blower to automatically turn on. After cooling the cabinet area down to 32°C the fan blower turns off automatically.



**Make sure that nothing impedes the free flow of air under and around the compressor. Never cover the hot air outlet on the top back side of the cabinet.**

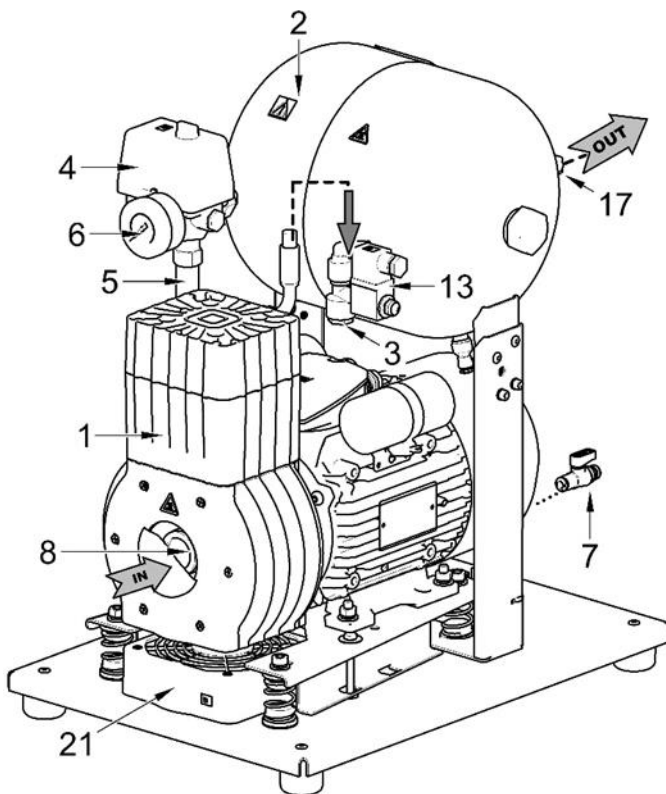


**If placing the compressor on a soft floor such as carpet, create space for ventilation between the base and floor or the cabinet and floor, e.g. underpin the footings with hard pads.**

The 8-10 bar compressor model is equipped with an hour counter (Fig. 3).

Fig. 1: DK50-10Z - Kompressor

Description for Figures 1 - 3



- 1 Air pump
- 2 Air tank
- 3 Non-return valve
- 4 Pressure switch
- 5 Safety valve
- 6 Pressure gauge
- 7 Drain valve
- 8 Inlet filter
- 9 Dryer
- 10 -
- 11 -
- 12 -
- 13 Solenoid valve
- 14 Dryer cooler
- 15 Filter
- 16 Condensate drain solenoid valve
- 17 Compressed air outlet
- 18 Circuit breaker switch
- 19 Bottle
- 20 Magnetic holder
- 21 Fan
- 22 Switch
- 23 Hour counter
- 24 Socket
- 25 Cabinet fan

Fig. 2: DK50-10Z/M - Compressor with dryer

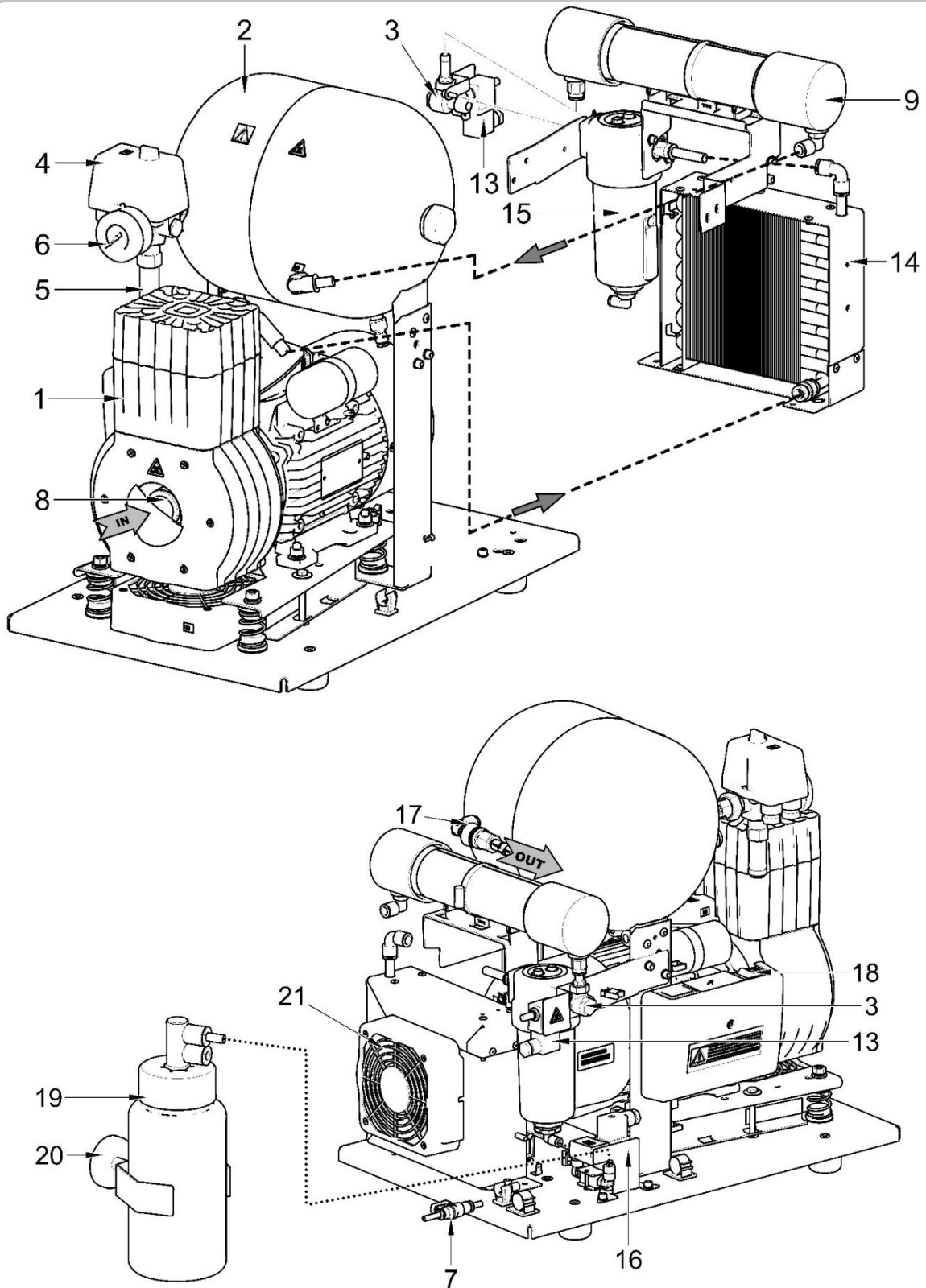
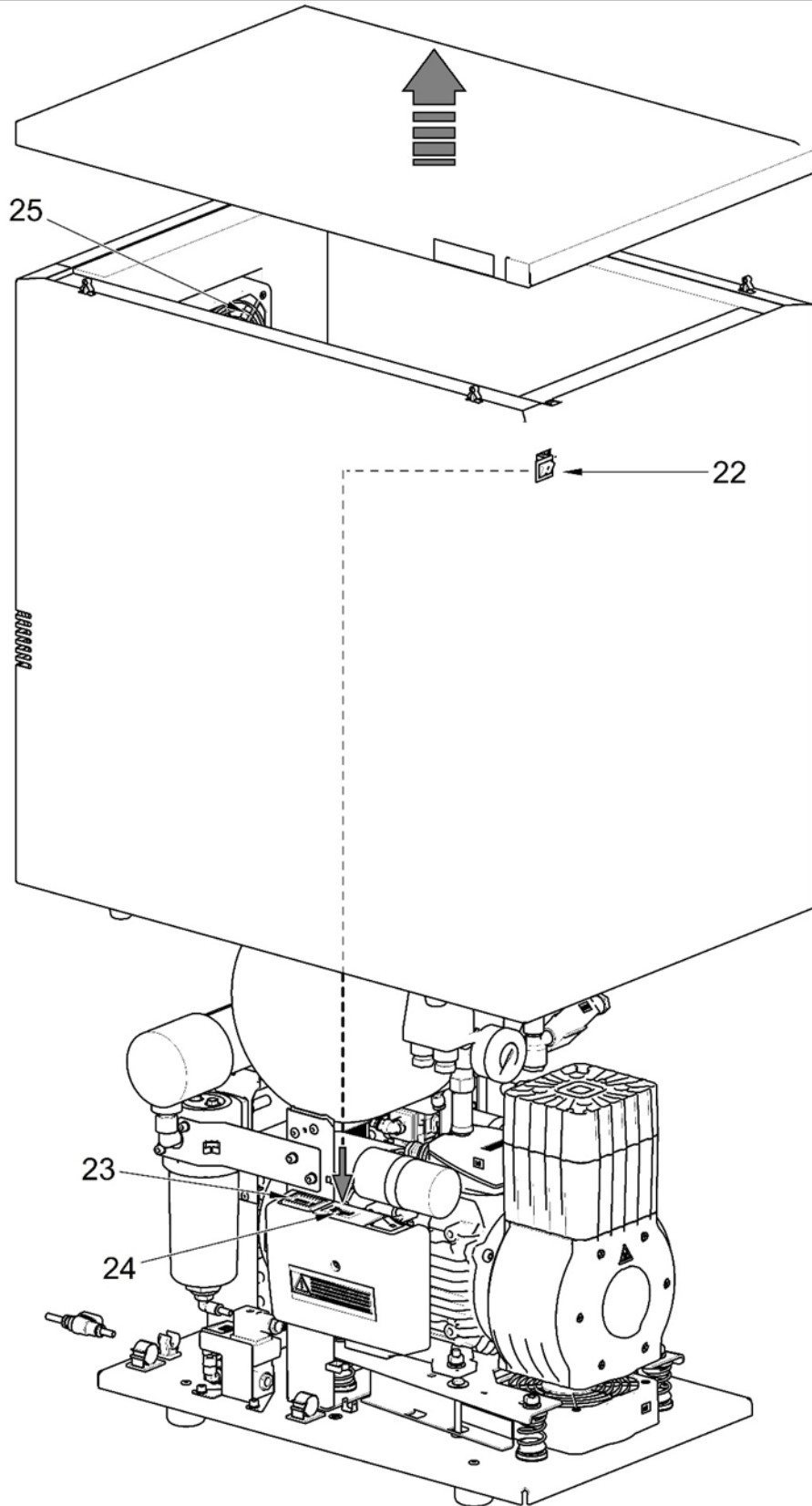


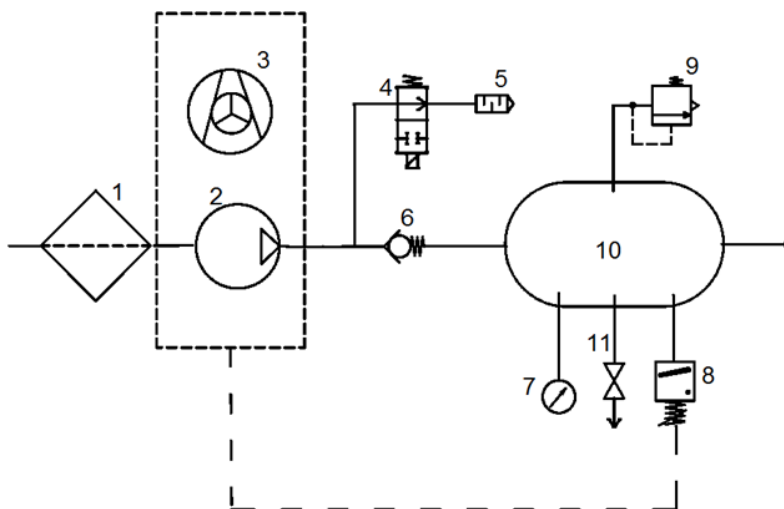
Fig. 3: Compressor DK50-10 S/M (8-10bar)



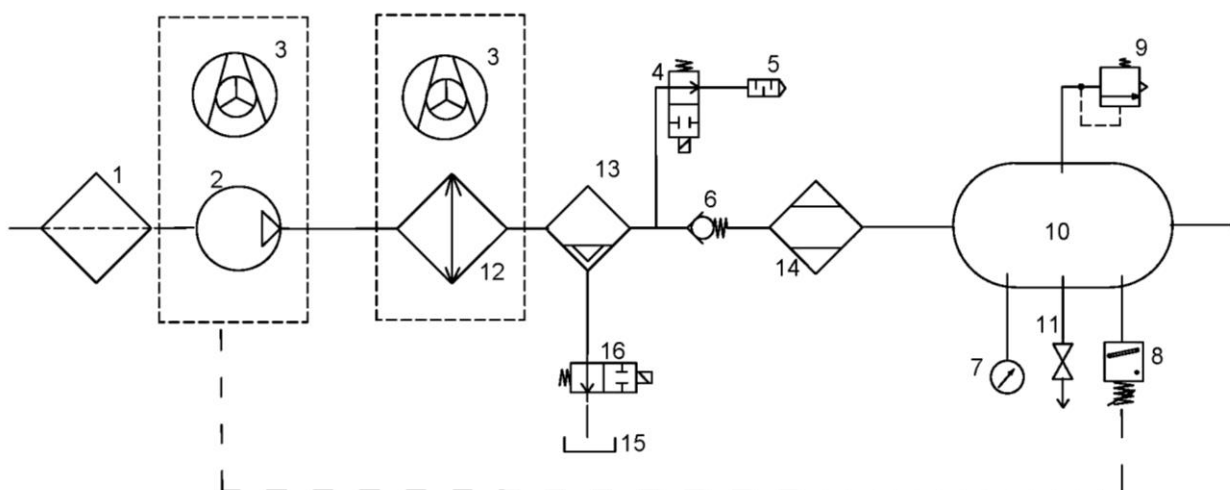
**DK50-10**

**10. PNEUMATIC DIAGRAM**

**DK50-10Z, DK50-10S**



**DK50-10Z/M, DK50-10S/M**



**Legend for compressed air diagram**

- |                    |                                    |
|--------------------|------------------------------------|
| 1 Inlet filter     | 9 Safety valve                     |
| 2 Air pump motor   | 10 Air tank                        |
| 3 Fan              | 11 Drain valve                     |
| 4 Relief valve     | 12 Cooler                          |
| 5 Noise silencer   | 13 Coalescence filter              |
| 6 Non-return valve | 14 Membrane dryer                  |
| 7 Pressure gauge   | 15 Condensate collection vessel    |
| 8 Pressure switch  | 16 Condensate drain solenoid valve |

## INSTALLATION

### 11. CONDITIONS FOR USE

- Compressors may only be installed and operating in dry, well-ventilated and clean environments with environmental parameters that meet the requirements specified in Chapter 7, Technical data. The compressor must be installed so that it is accessible at all times for operating and maintenance. Please ensure that the label on the device is readily accessible.
- The compressor must stand on a flat, sufficiently stable base (be aware of the weight of the compressor, see Chapter 7, Technical data).
- Compressors may not be operated outdoors or in otherwise wet or damp environments. Do not use the compressor in the presence of explosive gases, dust or flammable liquids.
- Before connecting the compressor to medical equipment, the supplier must confirm that it meets all requirements for its use. Refer to the technical data of the product for this purpose. When a unit is to be built-in, classification and evaluation of compatibility must be done by the manufacturer or supplier of the product to be used.
- Any other use or use outside this framework is not considered as intended use. The manufacturer is not responsible for any damages arising from such use. The operator/user assumes all risks.



**Only a qualified professional may install the compressor and place it into operation for the first time. This professional is obliged to train operating staff as to the use and maintenance of the device. Installation and training of all operators shall be confirmed by the installer's signature on the certificate of installation.**



**Prior to installation, ensure that the compressor is free of all transport packaging and stabilizers to avoid any risk of damage to the product.**



**Parts of the air pump may be hot and reach hazardous temperatures during compressor operation and may pose a contact risk for operators or materials. Burn or fire hazard! Caution! Hot surface!**



**You may notice a “new product” odour when you first place the product into service (for a short period of time). This odour is temporary and does not impede the normal use of the product. Ensure the space is properly ventilated after installation.**

### Ambient operating conditions

*Temperature:* +5°C to +40°C,  
*Max. relative humidity:* 70%,  
*Max. absolute humidity:* 15 g/m<sup>3</sup>.

## 12. PLACEMENT OF THE COMPRESSOR



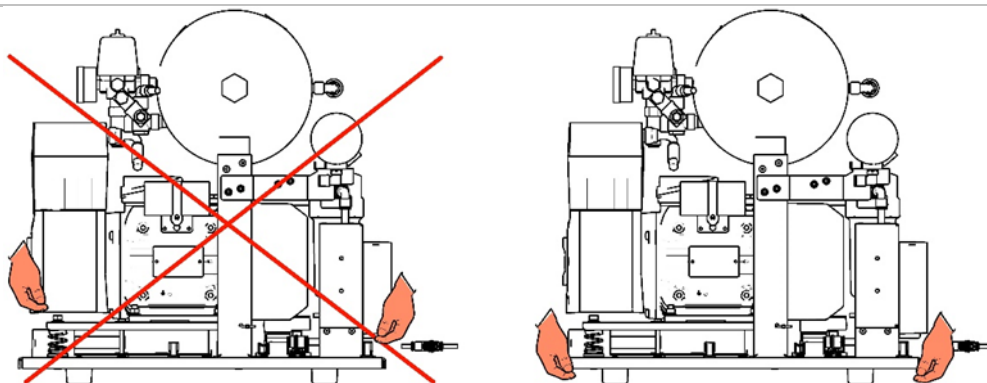
The device shall only be installed by a qualified professional.

- Unwrap the compressor from the packaging.

### 12.1. Handling and releasing the compressor

- Position the compressor at the site of future operation (Fig. 4)

Fig. 4

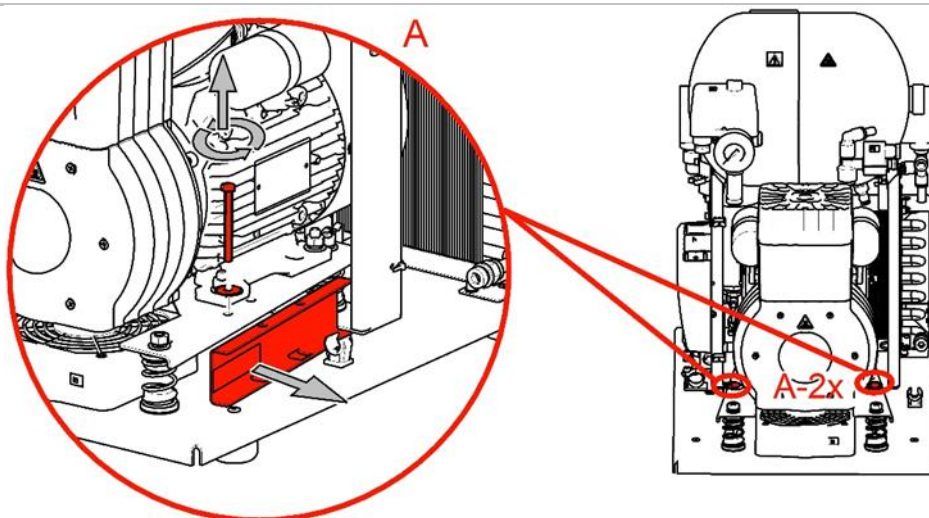


- Remove the transport securing elements/bolts from the air pumps. (Fig. 5)



Remove all devices used to secure the air pump once the compressor set has been installed and mounted at the site of final installation!

Fig. 5



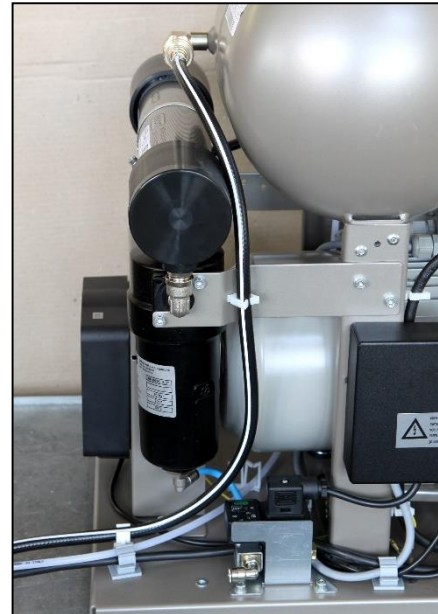
## 13. PNEUMATIC CONNECTIONS

### 13.1. Connecting to the compressed air outlet (Fig. 6)

Connect a pressure hose terminated at one end with a sliding quick connector (1) to the compressed air outlet (2) on the compressor and connect the hose to the compressed air system or directly to the device, in this case dental device.



Fig. 6



Route the pressure hose through the opening in the rear wall of the cabinet for cabinet-mounted compressors. (Fig. 7)

### 13.2. Connecting the condensate vessel (Fig.7)

- Connect the drain hose to the condensate vessel on compressors with dryers.
- Route the hose through the opening in the rear wall of the cabinet for compressor models with a dryer and connect it to the vessel.



Fig. 7



## 14. ELECTRICAL CONNECTIONS

The product is equipped with a grounded plug.



**Ensure full compliance with all local electrical codes. The mains voltage and frequency must comply with the data stated on the device's label.**

- Keep the socket easily accessible to ensure that in an emergency the device can be safely disconnected from the mains.
- Connection to the power distribution cabinet must be max.16 A.



The cabinet for the DK50-10S/M 10 bar model compressor is equipped with a cooling fan and a switch. The cabinet must be connected using the provided cord with connector to the matching connector on the compressor's electrical panel. (Fig. 4)



Ensure the electrical cable does not touch hot compressor components. Risk of electric shock!



If any electrical cord or air hose is damaged it must be replaced immediately.

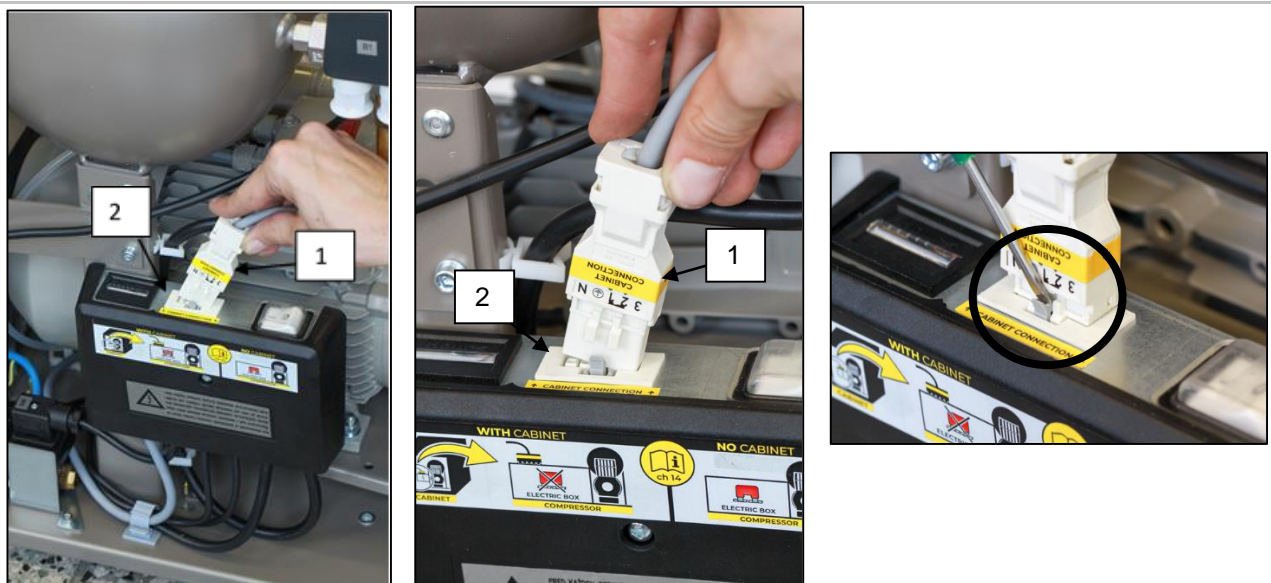
#### 14.1. Connecting a compressor not installed in a cabinet

- Insert the mains plug into a rated mains socket.
- The compressor is ready for operation.

#### 14.2. Connecting a compressor installed in a cabinet

- Route the mains plug through the opening in the rear wall of the cabinet for cabinet-mounted compressors.
- Connect the DK50-10S/M 8-10bar cabinet electrically to the compressor by inserting the provided power cord with connector (1) into an outlet. (Fig. 8)
- Disconnect the cabinet electrically from the compressor by pulling the connector (1) from the outlet while the latch is released.

Fig. 8



15. CONNECTION DIAGRAM

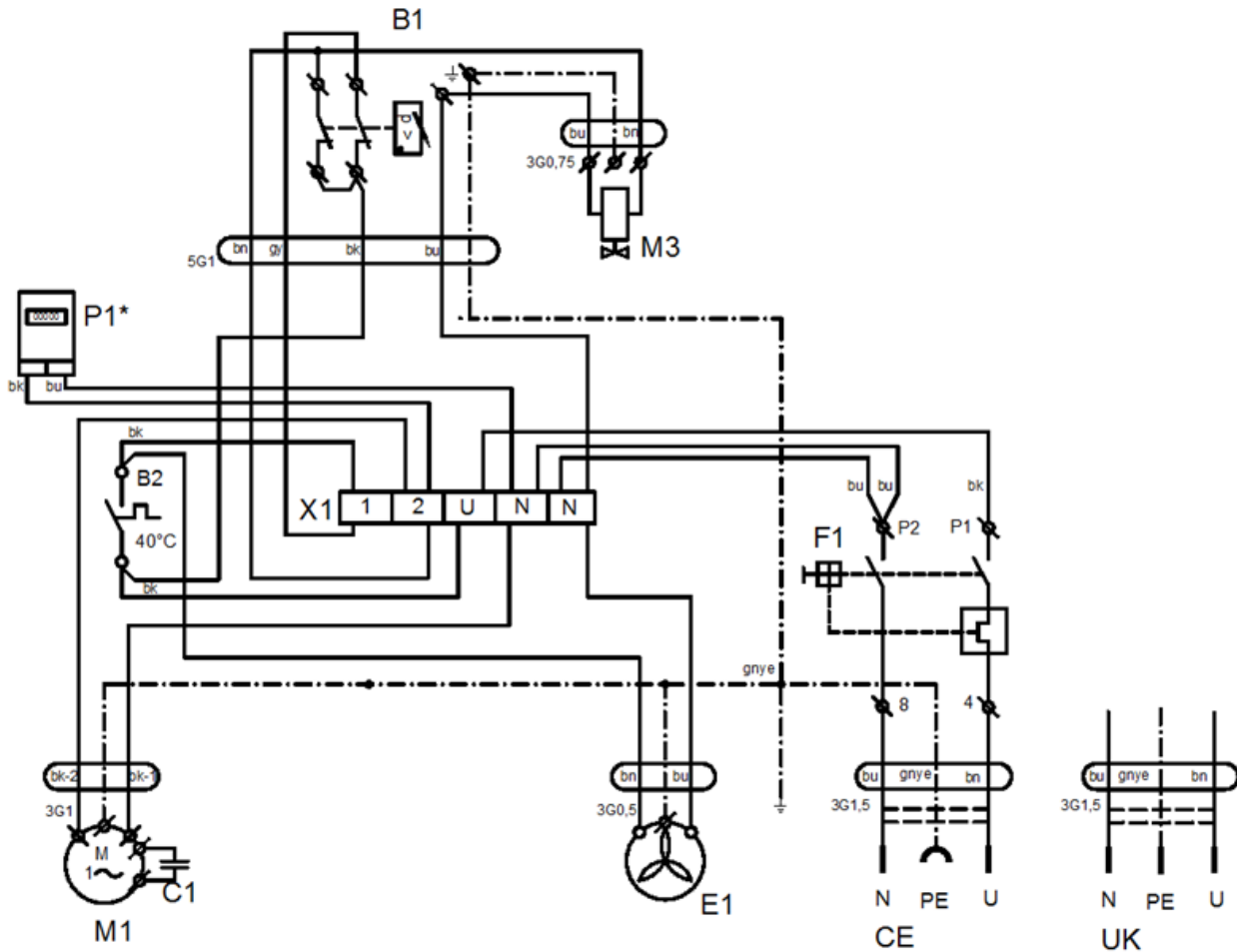
DK50-10Z, DK50-10S

5 - 7 bar, 6 - 8 bar, 8 - 10 bar

1/N/PE 230 V, 50/60 Hz

115 V, 60 Hz

ELECTRIC OBJECT OF 1st. CAT



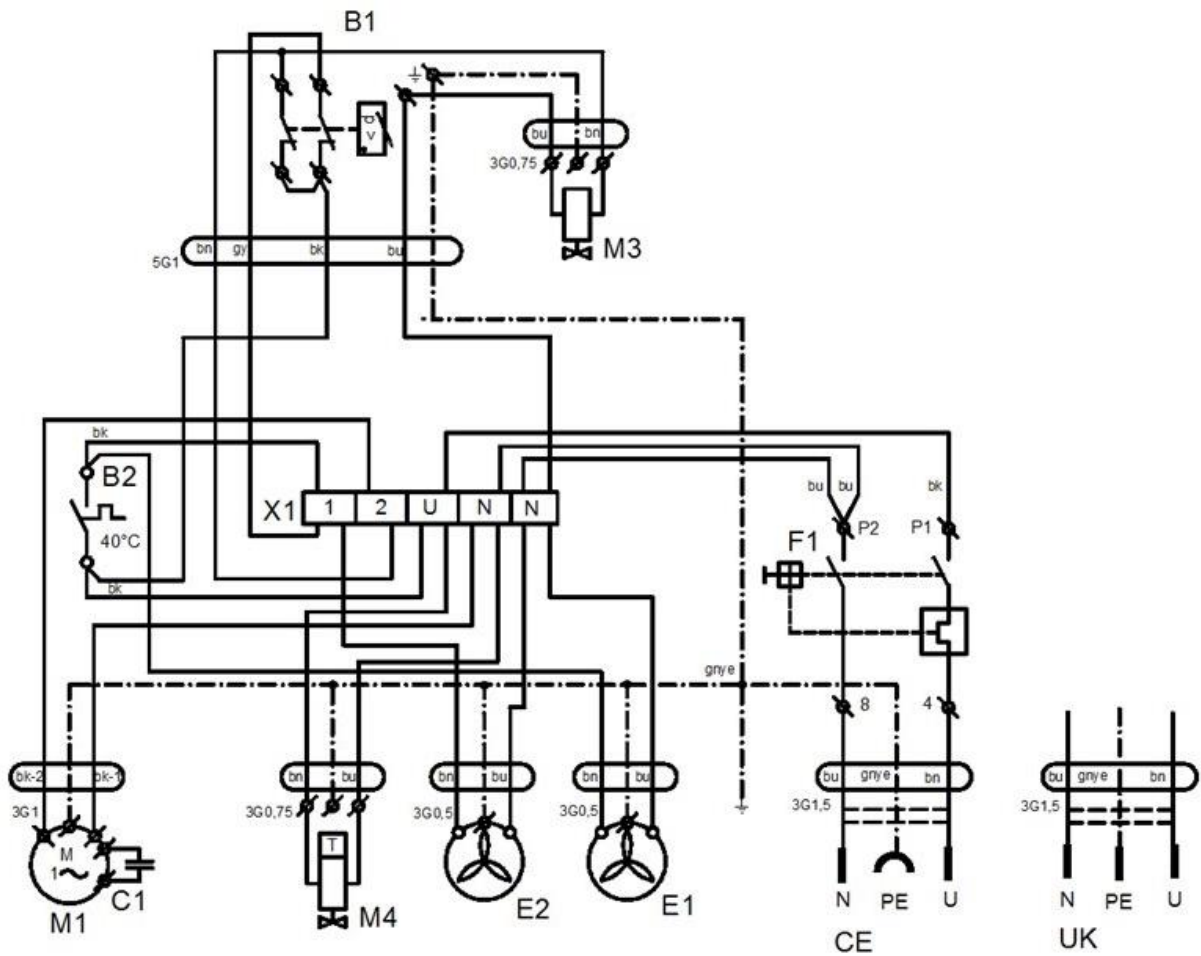
P1\* - Hour meter installed only for the 8-10bar compressor model

**DK50-10**

**DK50-10Z/M, DK50-10S/M** **5 - 7 bar, 6 - 8 bar**

1/N/PE 230V, 50/60Hz  
115V, 60Hz

ELECTRIC OBJECT OF 1st. CAT



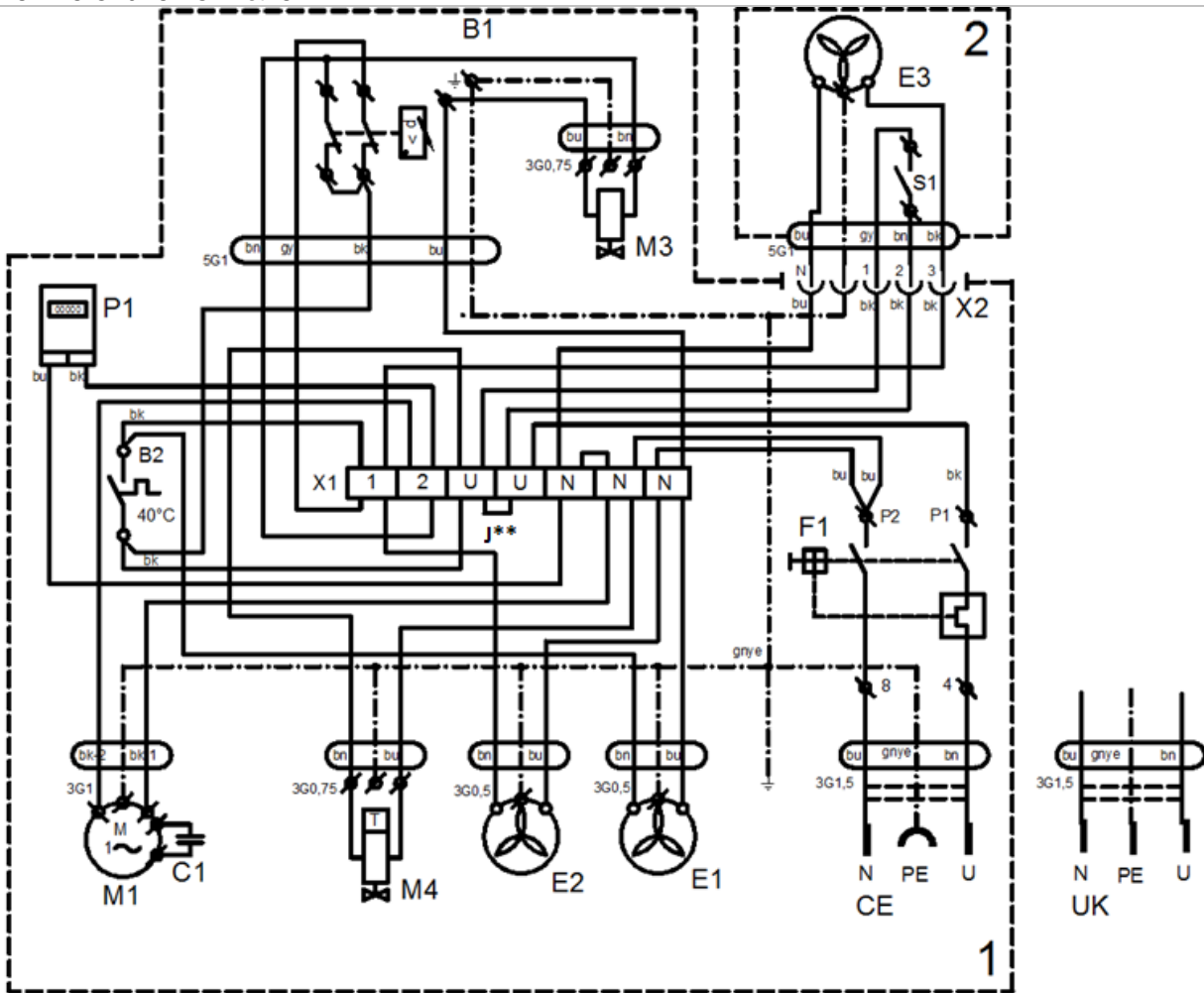
**DK50-10Z/M, DK50-10S/M**

**8 - 10 bar**

1/N1PE 230 V, 50/60 Hz

115 V, 60 Hz

ELECTRIC OBJECT OF 1st. CAT



J\*\* - Connect the jumper only for compressor models not installed in cabinets (chap.19.10)

1-Compressor  
2-Cabinet

P1\* - Hour meter installed only for the 8-10bar compressor model

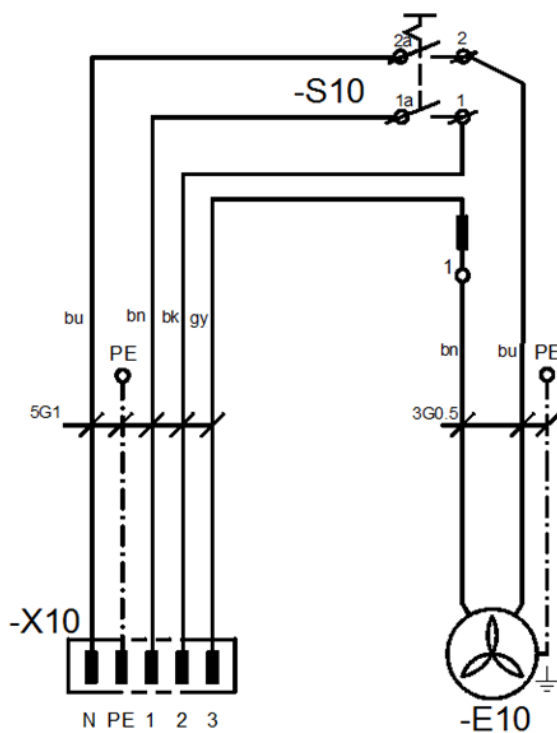
**DK50-10**

**Cabinet for DK50-10S/M**

**8 – 10 bar**

1/N/PE 230 V, 50/60 Hz

ELECTRIC OBJECT OF 1st. CAT



**Legend for electrical diagram**

M1	Compressor motor	C1	Capacitor
E1	Compressor fan	B1	Pressure switch
E2	Dryer fan	X1	Terminal box
M3	Relief valve	F1	Breaker switch
B2	Temperature switch	M4	Condensate drain valve
E3,E10	Cabinet fan	P1	Hour counter
X10, X2	Connector	S10	Switch

## OPERATION



**THE EQUIPMENT MAY ONLY BE OPERATED BY THE TRAINED STAFF!**



**IN CASE OF EMERGENCY, DISCONNECT THE COMPRESSOR FROM THE MAINS (PULL OUT THE MAINS PLUG).**



**THE AIR PUMP HAS HOT SURFACES.  
BURNS OR FIRE MAY RESULT IF CONTACT IS MADE.**



**During prolonged operation of the compressor, the temperature in the cabinet may increase to over 40°C. At this point the cooling fan automatically switches on. After cooling the space to under 32°C, the fan switches off.**



**Automatic start: when pressure in the pressure tank decreases below the switch-on pressure, the compressor automatically switches on. The compressor automatically switches off when pressure in the air tank reaches the switch-off pressure.**



**The working pressure settings for the pressure switch set by the manufacturer cannot be changed. Compressor operation at a working pressure below the switch-on pressure indicates high air consumption (see the chapter Malfunctions)**



**Required drying performance can only be achieved when following the defined operating conditions!**



**Drying performance will decline and the achieved dew point will drop if the dryer is operated at any pressure below the minimum working pressure!**



**WHEN THE DRYER IS OPERATED AT AMBIENT TEMPERATURE THAT IS HIGHER THAN MAXIMUM OPERATING TEMPERATURE, THE DRYER MAY BE DAMAGED!**

## 16. COMMISSIONING

- Make sure all transport stabilizers were removed.
- Check that all pressurized air line connections are secure.
- Check to ensure power is connected correctly to the compressor.
- Check the position of the breaker switch; it should be in the “I” position; if the switch remains in the “0” position, turn the breaker switch (4) to the “I” position. (Fig. 9)
- Check to see if the DK50-10S/M cabinet (8-10 bar models only) is connected to the compressor using the cable with the connector. (Fig. 8)
- For DK50-10 S/M (8-10 bar) compressors, turn on the switch (5) on the front of the cabinet to the “I” position and the green indicator indicates the operational status of the device. (Fig. 9)



**The compressor is not equipped with a backup power supply.**

## 17. SWITCHING THE COMPRESSOR ON

(Fig. 9)

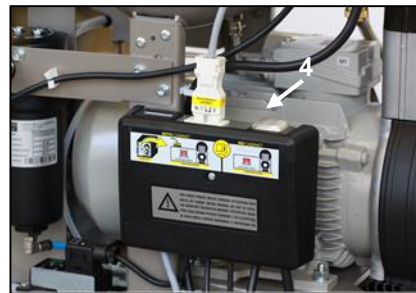
Start the compressor (without a cabinet) at the pressure switch (1) by turning the switch (2) to position "I." This starts the compressor and fills the tank to the switching off pressure, which then shuts off the compressor.

Start the DK50-10 S/M (8-10 bar) compressor (with a cabinet) at the switch (5) on the front side of the cabinet, the indicator will turn green. This starts the compressor and fills the tank to the switching off pressure, which then shuts off the compressor.

The compressor operates in automatic mode, switched on and off by the pressure switch, depending on compressed air consumption.

Check the values of the switch-on and switch-off pressure using the pressure gauge (3). A tolerance of  $\pm 10\%$  is acceptable. The pressure in the air tank must not exceed the permitted operating pressure.

Fig. 9



**Adjustments to the pressure range on the compressor's pressure switch are prohibited. The pressure switch (1) was set up by the manufacturer and only a qualified technician trained by the manufacturer may make any changes to its settings.**

**Compressor** – when first started and placed into service, the compressor fills the air tank until the switching pressure and the pressure switch turn off the compressor. The compressor operates in automatic mode, switched on and off by the pressure switch, depending on compressed air usage.

**Compressor with dryer** – the compressor operates in the same manner as above, only the compressed air passes through a cooler and a dryer that removes moisture from the compressed air.

## 18. COMPRESSOR SHUT-DOWN

(Fig.9)

Compressor shut-down for either service or any other reason is performed at the pressure switch (1) by turning the alternation switch (2) to the "0" position and **pulling the mains plug from the socket**. This disconnects the compressor from power supply. Vent the pressure in the air tank to zero by opening the drain valve. (Fig. 10)

## MAINTENANCE

### 19. DEVICE MAINTENANCE

#### Warning!

The operator shall ensure completion of repeated testing of the device at least once every 24 months (EN 62353) or at intervals defined by applicable national legal regulations. A record of these test results shall be completed (e.g. per EN 62353, Annex G) together with the measurement methods.

The device has been designed and manufactured to keep maintenance to a minimum. The following work must be performed to retain the proper and reliable operation of the compressor.



**Before starting compressor maintenance work, it is necessary to check if the compressor can be disconnected from the device to ensure that the person using the device is not at risk of health damage and there is no risk of any other material damages!**



**Air pump components (head, cylinder, pressure hose, etc.) are very hot during and shortly after compressor operation – do not touch these components!**



**Repair works beyond normal maintenance can be performed only by qualified personnel or the manufacturer's customer service. Use only spareparts and accessories approved by the manufacturer.**



**PROTECT EYESIGHT, WEAR GOGGLES, WHEN VENTING COMPRESSED AIR FROM THE COMPRESSED AIR CIRCUIT (AIR TANK).**

The 8-10 bar compressor model is equipped with an hour counter (Fig. 3).

The work below may only be performed by trained personnel as follows:



**BEFORE STARTING ANY MAINTENANCE WORK, FIRST DISCONNECT THE COMPRESSOR FROM THE MAINS (PULL OUT THE MAINS PLUG) AND VENT THE COMPRESSED AIR FROM THE AIR TANK.**



**Allow the equipment to cool down before maintenance, service or connecting/disconnecting the compressed air supply!**



**Reconnect the grounding lead if removed during service work to its previous location once the work is complete.**

For any maintenance or repair work, the compressor may be removed from the cabinet by pulling it from the cabinet (on rolling casters as much as the cord between the compressor and the cabinet allows). See also chap. 19.). The required maintenance or repair work may then be performed.

If the cord between the compressor and the cabinet becomes disconnected (by pulling the mains plug, chap. 14.2.), the compressor shall not be functional. In order to bring the compressor into function again, please follow chap. 14.2. or 19.10. or 19.11.

## 19.1. Maintenance intervals

Time interval <sup>c)</sup>	50 Hz		once a day	once a week	once a year	once every 2 years	2000 h		4000 h		6000 h		8000 h		10000 h		12000 h		Chapter	Set of spare parts	Performed by
	60 Hz						1600 h	3200 h	4800 h	6400 h	8000 h	9600 h	10000 h	12000 h							
Product operational checks			x																19.2	-	user
Drain the condensate from the air tank - At high RH <sup>b)</sup> - Pour the condensate out of the vessel <sup>d)</sup>			x																19.5	-	user
Drain the condensate from the air tank - At normal RH <sup>b)</sup>				x															19.5	-	user
Product function check				x															9	-	user
Leak check connections and inspect device					x														19.3	-	qualified professional
Inspection of electrical connections					x														19.4	-	qualified professional
Cooler and fan check					x														19.9	-	qualified professional
Filter element replacement in the dryer filter					x														19.8	02520w0304-000	qualified professional
Safety valve check					x														19.6	-	qualified professional
Replacing the inlet filter on the air pump <sup>a)</sup>						x													19.7	025200126-000	qualified professional
Conduct a "repeated test" per EN 62353							x												19.		qualified professional

<sup>a)</sup> data is presented in hours; if not possible, then the data is considered in years

<sup>b)</sup> only for compressors without dryers

<sup>c)</sup> For 60 Hz compressor models, reduce the time interval in hours by 20%

(2000h./1600h., 4000h./3200h., 6000h./4800h., 8000h./6400h., 10000h./8000h., 12000h./9600h.)

<sup>d)</sup> only for compressors with dryers

### 19.2. Operational checks

- Check air pump condition – the air pumps should be operating normally without excessive vibration or noise. Troubleshoot any problem or call in service personnel if trouble is detected
- Visually inspect fan operation – the fans must be operating when the air pumps are running. Troubleshoot any problem or call in service personnel if trouble is detected
- Check to ensure the power cable and pneumatic hoses are undamaged. Replace damaged components or call in service personnel.
- Check the ambient temperature – the ambient temperature must be below the temperature limit (40 °C). Cool the space if the temperature is high.
- On the compressor with dryer – open the plug on the condensate collecting bottle to drain the condensate

### 19.3. Pneumatic connection leakage check and device inspection

#### Leakage check:

- Perform the leakage check of pneumatic connections when the compressor is operating – pressurizing.
- Use a leakage analyser or soapy water to check all joints and connections for leaks. Tighten or reseal the connection where leaks are found.

#### Device inspection:

- Check the condition of the air pump for normal operation and noise levels.
- Fan operation check - the fans must be running during the defined compressor work cycles
- Check of temperature switch operation (B2) – heat the temperature switch to a temperature above 40°C (e.g. using a heat gun, being careful not to warp any plastic pieces nearby). Fan EV1 (and EV2 for a compressor with dryer) will start up once the temperature reaches 40°C so long as power is connected to the compressor.
- Check filter condition – the filters must be undamaged and sufficiently clean.
- Check the condition of the air pump itself - ensure there is no contamination inside the crankcase or play in the crankshaft

Replace any defective parts as needed.

### 19.4. Inspection of electrical connections



**Check all electrical connections on the device with the mains disconnected!**

#### Inspection

- Check the mechanical function of the main switch.
- Check to ensure the power cable and connected wires are undamaged.
- Visually inspect the connection of individual cables to the terminal strip.
- Inspect all screw terminals for the protective green and yellow PE grounding conductor.

### 19.5. Condensate drain

#### Compressors (Fig. 10)

Draining the condensate from the pressure vessel is recommended during regular operation. Switch off the compressor at the mains and lower the pressure to a maximum of 1 bar, for instance, by venting air through the connected device. Place the hose with the drain valve into a vessel prepared in advance and open the drain valve (1) to remove the condensate from the tank.

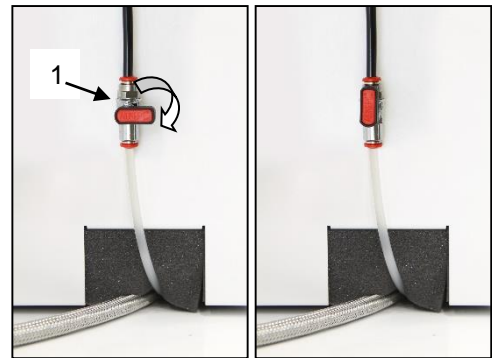


Fig. 10



**Carefully and slowly open the drain valve. Quickly opening the drain valve is accompanied by a loud sound and uncontrollable stream of accumulated condensate.**

Compressors without a dryer may be equipped with the Automatic Condensate Drain to allow the condensate to drain without operator intervention (see chap. 8.2.).

#### Compressors with air dryer (Fig. 11)

Condensate from compressors with air dryers is automatically drained into a collecting bottle. The bottle must be drained regularly.



Fig.11



**Monitor the level in the vessel using the 1 l or 2 l markings (depending on the volume of the vessel), and empty at least once a day. The vessel may overflow if the condensate is not drained out of the vessel at the defined interval.**



**Risk of slipping on a wet floor in case of the collecting bottle overflow.**



**THE FOLLOWING IS REQUIRED BEFORE ANY FOLLOW-UP CHECKS:**

**For DK50-10S and DK50-10S/M compressors with a cabinet - remove / lift up the box.**

**For the DK50-10S/M 10 bar compressor model with a cabinet - remove the cover of the cabinet, disconnect the cabinet connector from the compressor connector and remove / lift up the box.**

### 19.6. Safety valve check

(Fig. 12)

When the compressor is operated for the first time, make sure that the safety valve is working properly. Turn the screw (2) on the safety valve (1) several rotations to the left until the safety valve releases air. Let the safety valve vent for only a few seconds. Turn the screw (2) to the right until it seats, closing the valve.



Fig. 12



Never use the safety valve to vent air pressure in the air tank. It could damage the safety valve. The valve is set to the maximum permitted pressure by the manufacturer. Adjustments are not permitted!



**WARNING! COMPRESSED AIR IS DANGEROUS BECAUSE OF THE RISK OF DAMAGE TO THE EYES! RISK OF DAMAGE TO THE EYES.**

### 19.7. Inlet filter replacement

(Fig. 13)

- Pull out the rubber plug (2) by hand.
- Remove the used filter (1).
- Insert a new filter and replace the rubber plug.

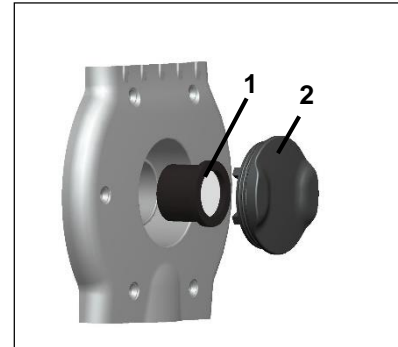


Fig. 13

### 19.8. Filter element replacement

(Fig. 14)

- Remove the hose (1) from the quick connector.
- Use a wrench (2) to release the filter vessel (3) and remove.
- Pull down on the filter element (4) to remove.
- Insert a new filter element.
- Re-install the filter vessel.
- Gently tighten the filter vessel with the wrench.
- Re-install the hose on the quick connector.

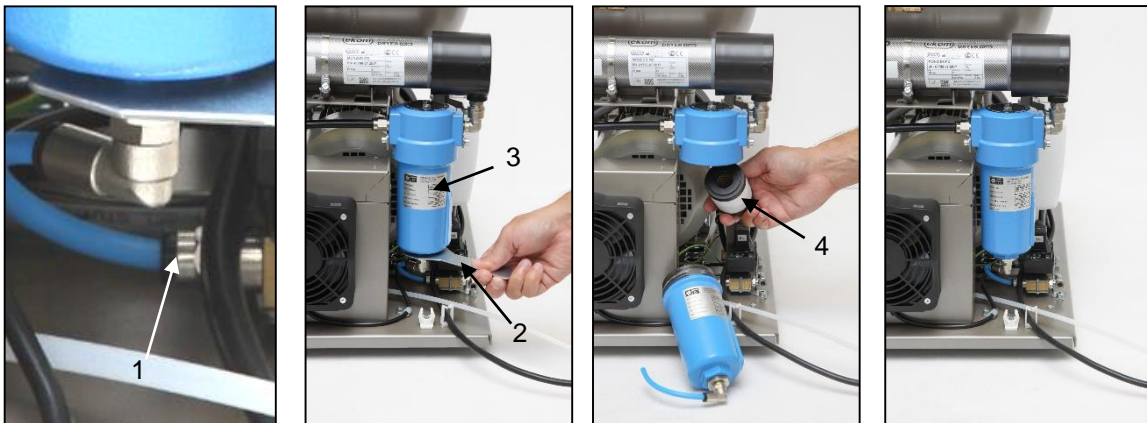


Fig. 14

### 19.9. Cooler and fan check (Fig.2)

The equipment, in particular the compressor fan, cooler fan (21), and the cooler (14), must be kept clean to ensure efficient drying. Remove dust from surface of the fan or cooling fins by vacuuming or blowing down with compressed air.

### 19.10. Procedure for connecting a compressor disconnected from the cabinet



**Prior to any maintenance or repair work, switch off the compressor and disconnect it from the mains (pull out the mains plug).**

The compressor (without cabinet) requires that the jumper is always mounted in the terminal strip for correct operation (Fig. 15, Pos. B). It then replaces the switch on the cabinet.



**If there is no jumper in the terminal strip of the compressor (disconnected from the cabinet), the compressor will not work!**

If the cord between the compressor and the cabinet becomes disconnected (by pulling the mains plug) and the compressor is removed from the cabinet, the compressor will not be functional. Therefore, it is necessary to first create a connection to the terminal strip with a jumper (replacing the circuit breaker function) (Fig. 15).

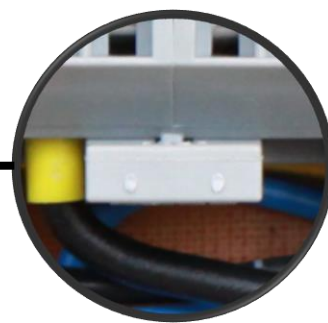
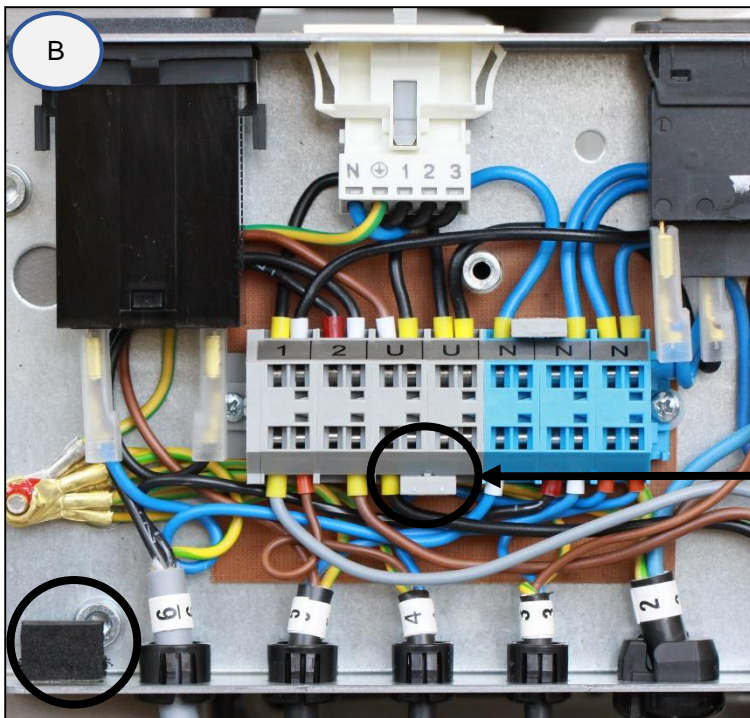
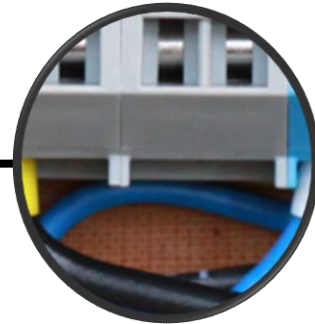
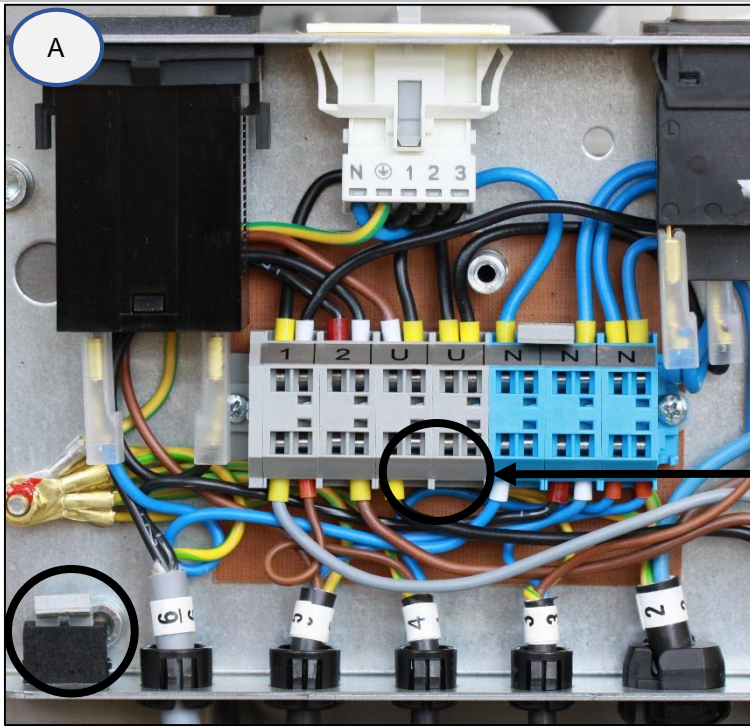
**PROCESS** (Fig. 15):

#### **Jumper installation** (A-B process)

- Disconnect the product from the mains by pulling the plug out of the socket.
- Remove the cover on the electrical panel (on the compressor).
- The jumper is not in the terminal strip – A.
- Insert the jumper into the terminal strip – B.
- Reinstall the cover on the electrical panel.
- Connect the device to the electrical mains.
- Activate the compressor by turning on the switch on the pressure switch.

Compressor - when operating outside the cabinet, the electrical connection with an installed jumper **MUST** be created (Fig. 15, Pos. B)

Fig. 15



230V

### 19.11. Procedure for connecting a compressor to a new cabinet



**Prior to any maintenance or repair work, switch off the compressor and disconnect it from the mains (pull out the mains plug).**

The compressor in a cabinet requires that the jumper is not mounted in the terminal strip for correct operation (Fig. 15, Pos. A). The switch on the cabinet switches the entire product on and off, including the compressor.



**If there is a jumper in the terminal strip of the compressor connected to a cabinet, the switch on the compressor cabinet will not work!**

To connect a new cabinet to a compressor that previously worked without a cabinet, it is necessary to cancel the connection in the compressor terminal strip by performing the procedure as follows. (Fig. 15). (See also chap. 14.1. and 14.2.)

**PROCESS** (Fig. 15):

**Jumper removal** (B-A process)

- Disconnect the product from the mains by pulling the plug out of the socket.
- Remove the cover on the electrical panel (on the compressor).
- The jumper is in the terminal strip – B.
- Remove the jumper from the terminal strip – A.
- Reinstall the cover on the electrical panel.
- Insert the compressor into the cabinet.
- Connect the cabinet to the compressor by inserting the power cord with connector (1) into a power socket (2). (Fig. 8)
- Connect the device to the electrical mains.
- Activate the compressor by turning on the switch on the pressure switch and the switch (5) on the cabinet Fig. 9.

Compressor with cabinet - when operating in the cabinet, there **MUST NOT** be an electrical connection. (Fig. 15, Pos. A)

Note : **In case of using a compressor without a cabinet or in case of maintenance, a jumper which is not installed into the terminal strip should be kept** in a designated place next to the electrical panel.

### 19.12. Cleaning and disinfection of the exterior surfaces of the product

Use neutral agents for cleaning and disinfection of the external surfaces of the product.



**The use of aggressive cleaning agents and disinfectants comprising alcohol and chlorides may lead to the damage of the surface and the discoloration of the product.**

**TROUBLESHOOTING**

**BEFORE PROCEEDING, DEPRESSURIZE THE AIR TANK TO ZERO AND DISCONNECT THE DEVICE FROM THE MAINS.**

**The equipment, in particular the cooling fan, must be kept clean to ensure the long-term efficiency of the cooler – the cooling fins must be cleaned occasionally to remove any dust.**

Troubleshooting can be performed only by qualified personnel.

<b>MALFUNCTIONS</b>	<b>POSSIBLE CAUSE</b>	<b>REMEDY</b>
Compressor does not start	No voltage at the pressure switch  Motor winding failure, damaged thermal overload protection Faulty capacitor Seized piston or other rotating part Pressure switch does not switch	Check the voltage in the socket Checking the main switch - turn on the switch (4) to the "I" position. (Fig. 9) Loose conductor at terminal – tighten Check the electrical cord – replace defective cord Turn on the switch (2) on the pressure switch (1) (Fig. 9) Compressor in a cabinet - not connected to the cabinet by a cord - create a cord connection from the cabinet (chap. 14) Compressor (without a cabinet) which previously worked in a cabinet - there is no connection in the terminal strip (chap. 19.10) Replace motor or windings  Replace capacitor Replace damaged parts Check the function of the pressure switch
Cabinet switch does not switch off the compressor	There is a compressor in the cabinet that previously worked separately (there is a jumper in the compressor terminal strip)	Remove the jumper from the terminal strip, see. Chap. 19.11
Compressor often switches on	Air leak in compressed air distribution system Leaking non-return valve  Large volume of condensed liquid in pressure vessel Low compressor performance	Check compressed air distribution system – seal loose joints Clean non-return valve, replace seals, replace non-return valve Drain condensed liquid Check the time to fill the air tank
Low pressure in air tank (compressor running constantly)	High air usage by device, Leak from pneumatic distribution system, Low air pump output Air pump malfunction Dryer malfunction	Decrease air consumption Use compressor with higher capacity Check pneumatic system – seal loose connections Clean / replace the pump Clean / replace the pump Replace dryer

Prolonged operation of the compressor	Leak from pneumatic distribution system Worn piston ring Inlet filter is plugged Defective solenoid valve	Check compressed air distribution system – seal loose joint Replace worn piston ring Replace old filter with a new filter Repair or change the valve or coil
Compressor is noisy (knocking, metal noises)	Damaged piston bearing, piston rod, motor bearing Loose or cracked spring	Replace damaged bearing Replace damaged spring
Dryer doesn't dry (condensed water in the air) *	Cooling fan not working	Replace the fan Check the power source
	Damaged dryer	Replace the dryer
	Non-functioning automatic condensate drain	Clean / replace

)\* After a dryer malfunction, the interior surfaces of the air tank must be thoroughly cleaned and all condensed liquid removed.

**Check the dew point of the air leaving the air tank (see Chapter 7 - Technical data) to protect the device from damage!**

## 20. REPAIR SERVICE

Guaranteed and post-guarantee repairs must be done by the manufacturer, its authorized representative, or service personnel approved by the supplier.

**The manufacturer reserves the right to make changes to the device without notice. Any changes made will not affect the functional properties of the device.**

## 21. STORAGE

If the compressor will not be used for a prolonged time period, drain all condensate from the air tank. Then turn on the compressor for 10 minutes, keeping the drain valve open (1) (Fig. 10). Switch off the compressor using the switch (2) at the pressure switch (1) (Fig. 9), close the drain valve and disconnect the device from the mains.

## 22. DISPOSAL OF THE DEVICE

- Disconnect the device from the mains.
- Release air pressure in the pressure tank by opening the drain valve (1) (Fig. 10).
- Dispose of the device following all applicable environmental regulations.
- Entrust a specialised company to sort and dispose of waste.
- Worn out components have no negative environmental impact.

**INHALT**

<b>WICHTIGE INFORMATIONEN .....</b>	<b>43</b>
1. ÜBEREINSTIMMUNG MIT DEN ANFORDERUNGEN DER EU-RICHTLINIEN .....	43
2. BESTIMMUNGSGEMÄÙE VERWENDUNG .....	43
3. GEGENANZEIGEN UND NEBENWIRKUNGEN .....	43
4. WARNHINWEISE UND -SYMBOLE .....	43
5. WARNHINWEISE .....	44
6. LAGERUNG UND TRANSPORT .....	46
7. TECHNISCHE DATEN .....	47
8. PRODUKTBEÜSCHREIBUNG .....	53
9. PRODUKTFUNKTION .....	54
10. DRUCKLUFTPLAN .....	59
<b>INSTALLATION.....</b>	<b>60</b>
11.EINSATZBEDINGUNGEN .....	60
12.AUFSTELLEN DES KOMPRESSORS .....	61
13.PNEUMATISCHE ANSCHLÜÙE .....	62
14.ELEKTRISCHE ANSCHLÜÙE.....	62
15.ANSCHLUSSDIAGRAMM .....	64
<b>BEDIENUNG .....</b>	<b>68</b>
16.INBETRIEBNAHME .....	68
17.EINSCHALTEN DES KOMPRESSORS .....	69
18.ABSCHALTEN DES KOMPRESSORS .....	69
<b>WARTUNG .....</b>	<b>70</b>
19.WARTUNG DES GERÄTS .....	70
<b>FEHLERBEHEBUNG .....</b>	<b>78</b>
20.INFORMATIONEN ZU REPARATURBETRIEBEN .....	79
21.LAGERUNG .....	80
22.ENTSORGUNG DES GERÄTS .....	80
<b>ANHANG .....</b>	<b>268</b>
23.INSTALLATIONSPROTOKOLL .....	269

## WICHTIGE INFORMATIONEN

### 1. ÜBEREINSTIMMUNG MIT DEN ANFORDERUNGEN DER EU-RICHTLINIEN

Dieses Produkt erfüllt die Anforderungen der Verordnung (EU) über Medizinprodukte (MDR 2017/745) und ist bei bestimmungsgemäßer Verwendung sicher, sofern alle Sicherheitshinweise beachtet werden.

### 2. BESTIMMUNGSGEMÄßE VERWENDUNG

Der Kompressor wird als Quelle für saubere, ölfreie Druckluft verwendet, um aktive medizinische Geräte zu versorgen, bei denen die Parameter und Eigenschaften der Druckluft für die spezifische Anwendung geeignet sind.



**Die durch den Kompressor bereitgestellte Druckluft ist nicht für die Nutzung mit Geräten zur künstlichen Beatmung geeignet, wenn zuvor keine weitere Filterung erfolgte.**

Jegliche Nutzung des Produkts über die bestimmungsgemäße Verwendung hinaus gilt als unsachgemäße Nutzung. Der Hersteller haftet nicht für Schäden oder Verletzungen aufgrund einer unsachgemäßen Nutzung.

### 3. GEGENANZEIGEN UND NEBENWIRKUNGEN

Es sind keine Gegenanzeigen oder Nebenwirkungen bekannt.

### 4. WARNHINWEISE UND -SYMBOLE

Die folgenden Symbole werden im Benutzerhandbuch, auf dem Gerät und auf der Verpackung verwendet, um auf wichtige Details und Informationen hinzuweisen:



Allgemeine Warnhinweise



Warnung



Gefahr, Stromschlaggefahr



Siehe Benutzerhandbuch



Befolgen Sie das Benutzerhandbuch



CE-Kennzeichnung



Medizinprodukt



Seriennummer



Der Kompressor wird fernbedient und kann ohne Warnung starten



Vorsicht! Heiße Oberfläche



Erdungsanschluss



Handhabungshinweis auf Verpackung – ZERBRECHLICH



Handhabungshinweis auf Verpackung – HIER OBEN



Handhabungshinweis auf Verpackung – VOR NÄSSE SCHÜTZEN



Handhabungshinweis auf Verpackung – ZULÄSSIGE TEMPERATURBEREICHE



Handhabungshinweis auf Verpackung – BESCHRÄNKT STAPELBAR



Hinweis auf Verpackung – RECYCELBARES MATERIAL



Hersteller

## 5. WARNHINWEISE

Das Produkt wurde so entwickelt und hergestellt, dass der Benutzer und die Umgebung sicher sind, wenn das Produkt ordnungsgemäß verwendet wird. Beachten Sie die folgenden Warnhinweise.

### 5.1. Allgemeine Warnhinweise

LESEN SIE VOR DER VERWENDUNG DES GERÄTS DAS BENUTZERHANDBUCH SORGFÄLTIG DURCH UND BEWAHREN SIE ES FÜR DIE KÜNFTIGE NUTZUNG AUF!

- Das Benutzerhandbuch enthält Anleitungen zur korrekten Installation, Bedienung und Wartung des Produkts. Eine sorgfältige Durchsicht dieses Handbuchs liefert Ihnen die notwendigen Informationen für den korrekten Betrieb des Produkts.
- Die Originalverpackung sollte für die Rücksendung des Geräts aufbewahrt werden. Nur die Originalverpackung garantiert einen optimalen Transportschutz des Geräts. Falls eine Einsendung des Produkts während der Garantiezeit notwendig werden sollte, haftet der Hersteller nicht für Schäden, die auf eine mangelhafte Verpackung zurückzuführen sind.
- Schäden, die durch die Nutzung von anderem als dem vom Hersteller vorgeschriebenen Zubehör entstehen, sind von dieser Gerätegarantie ausgeschlossen.
- Der Hersteller garantiert die Sicherheit, Zuverlässigkeit und Funktion des Geräts nur, wenn:
  - Montage, Neueinstellungen, Änderungen, Erweiterungen und Reparaturen durch den Hersteller oder einen vom Hersteller autorisierten Dienstleister erfolgen
  - das Produkt gemäß den Vorgaben des Benutzerhandbuchs verwendet wird
- Das Benutzerhandbuch entspricht zum Zeitpunkt seines Drucks den Produktmodellen und deren Erfüllung der geltenden Sicherheits- und Technikstandards. Der Hersteller behält alle Rechte an seinen Konfigurationen, Verfahren und Namen.

- Die Übersetzung des Benutzerhandbuchs erfolgte nach bestem Wissen. Bei Unsicherheiten gilt die slowakische Version.
- Dieses Benutzerhandbuch ist die deutsche Übersetzung der Originalanleitung. Die Übersetzung erfolgte nach bestem Wissen.

### **5.2. Allgemeine Sicherheitswarnungen**

Der Hersteller hat das Produkt so entwickelt und hergestellt, dass bei korrekter Nutzung entsprechend der bestimmungsgemäßen Verwendung die Risiken minimal sind. Der Hersteller legt die folgenden Sicherheitsvorschriften für den Gebrauch des Geräts fest.

- Die Verwendung und Bedienung des Produkts muss den am Standort geltenden Vorschriften und Gesetzen entsprechen. Der Bediener und Nutzer des Produkts muss alle gültigen Vorschriften einhalten, um eine sichere Arbeit zu gewährleisten.
- Nur die Nutzung von Originalteilen gewährleistet die Sicherheit des Bedienpersonals sowie ein reibungsloses Funktionieren des Produkts. Es dürfen nur Zubehör- und Ersatzteile verwendet werden, die in der technischen Dokumentation aufgeführt oder ausdrücklich vom Hersteller zugelassen sind.
- Der Bediener muss vor jeder Nutzung das korrekte und sichere Funktionieren des Geräts überprüfen.
- Der Nutzer muss sich mit der Bedienung des Geräts vertraut gemacht haben.
- Das Produkt darf nicht in explosionsgefährdeten Bereichen eingesetzt werden.
- Der Benutzer muss den Lieferanten sofort bei Problemen informieren, die in Verbindung mit dem Betrieb des Geräts auftreten.
- Alle schwerwiegenden Zwischenfälle, die im Zusammenhang mit dem Produkt aufgetreten sind, müssen dem Hersteller und der zuständigen Behörde jenes Mitgliedstaates gemeldet werden, in dem der Anwender und/oder der Patient niedergelassen ist.

### **5.3. Sicherheitswarnhinweise zum Schutz vor elektrischem Strom**

- Das Gerät darf nur an einen ordnungsgemäß installierten Stromkreis angeschlossen werden.
- Vor dem Anschluss des Produkts muss sichergestellt werden, dass die auf dem Gerät angegebene Netzspannung und Netzfrequenz mit den Werten des Versorgungsnetzes übereinstimmen.
- Überprüfen Sie das Gerät vor der Inbetriebnahme auf Schäden an den Druckluftleitungen und Stromkabeln. Beschädigte Druckluftleitungen und Stromkabel sind sofort zu ersetzen.
- Trennen Sie das Produkt sofort vom Stromnetz (dazu Netzkabel aus der Steckdose ziehen), wenn eine Gefahrensituation oder ein technischer Fehler auftritt.
- Stellen Sie bei allen Reparatur- und Wartungsarbeiten sicher, dass:
  - der Netzstecker aus der Steckdose gezogen wurde
  - Der Druck aus allen Druckluftbehältern und -leitungen abgelassen wurde
- Das Gerät muss von einem qualifizierten Fachmann installiert werden.

## 6. LAGERUNG UND TRANSPORT

Der Kompressor wird ab Werk in einer Transportverpackung versendet. Diese schützt das Gerät während des Transports vor Schäden.



**Die Originalverpackung des Kompressors muss bei jedem Transport verwendet werden. Transportieren Sie den Kompressor in aufrechter Position und stets mit Transportsicherung.**



Während des Transports und der Lagerung ist der Kompressor vor Feuchtigkeit, Verunreinigungen und extremen Temperaturen zu schützen. Lagern Sie den Kompressor in seiner Originalverpackung an einem warmen, trockenen und staubfreien Ort. Keinesfalls in der Nähe von chemischen Substanzen lagern.



Bewahren Sie das Verpackungsmaterial auf, sofern möglich. Sollte dies nicht möglich sein, entsorgen Sie das Verpackungsmaterial auf umweltfreundliche Art. Der Verpackungskarton kann mit Altpapier recycelt werden.



**Der Kompressor darf nur transportiert werden, wenn alle Luft abgelassen wurde. Der Kompressor darf nur drucklos transportiert werden. Vor dem Transport stets die Druckluft aus dem Druckbehälter und den Druckschläuchen ablassen; zusätzlich das Kondensat aus dem Druckbehälter entleeren.**



**Lagerung oder Versand des Geräts in einem anderen als in dem vorgeschriebenen Zustand ist strikt untersagt.**

### Umgebungsbedingungen für Lagerung und Transport

Die Produkte dürfen nur unter den folgenden Bedingungen in Fahrzeugen gelagert und transportiert werden, die keine Spuren flüchtiger Chemikalien aufweisen:

<b>Temperatur</b>	–25 °C bis +55 °C, 24 Std. bis +70 °C
<b>Relative Feuchtigkeit</b>	max. 90 % (nicht kondensierend)

## 7. TECHNISCHE DATEN

Die Kompressoren wurden für trockene und belüftete Innenräume mit den folgenden Umgebungsbedingungen entwickelt:

**Temperatur**

+5 °C bis +40 °C

**Relative Feuchtigkeit**

max. 70 %

Tab.1

5 – 7 bar		DK50-10 Z		DK50-10 S		DK50-10 Z/M		DK50-10 S/M	
Nennspannung / Frequenz (*)	V / Hz	230 / 50/60	115 / 60	230 / 50/60	115 / 60	230 / 50/60	115 / 60	230 / 50/60	115 / 60
Kapazität bei 5 bar	Lit.min <sup>-1</sup>	75/85	85	75/85	85	58/68	68	58/68	68
Betriebsdruck (**)	bar	5,0 – 7,0		5,0 – 7,0		5,0 – 7,0		5,0 – 7,0	
Nennstrom	A	3,8/4,8	8,9	3,8/4,8	8,9	4,1/5,1	9,1	4,1/5,1	9,1
Motorleistung	kW	0,55		0,55		0,55		0,55	
Volumen Drucklufttank	Lit.	10		10		10		10	
Luftqualität – Filterung	µm	-		-		0,1		0,1	
Max. Betriebsdruck des Sicherheitsventils	bar	8,0		8,0		8,0		8,0	
Geräuschpegel bei 5 bar	LpA [dB]	≤64/≤66	≤66	≤46/≤49	≤49	≤65/≤67	≤67	≤49/≤52	≤52
Betriebsmodus		S1-100%		S1-100%		S1-100%		S1-100%	
PDP - Trocknungsleistung bei 7 bar		-		-		≤ +3°C		≤ +3°C	
Zeit, den Druckluftspeicher von 0 bis 6 bar zu füllen	s	50/44	44	50/44	44	70/60	60	70/60	60
Abmessungen (netto) L x B x H	mm	485x350x553		580x440x655		544x350x553		649x440x655	
Nettogewicht (***)	kg	38		53		44		61	
Klassifizierung unter EN 60601-1		Klasse I.							

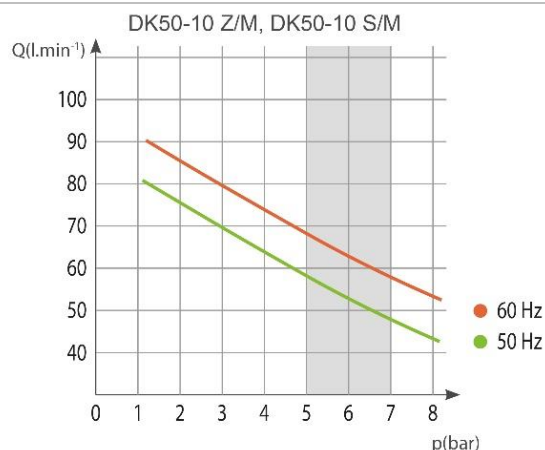
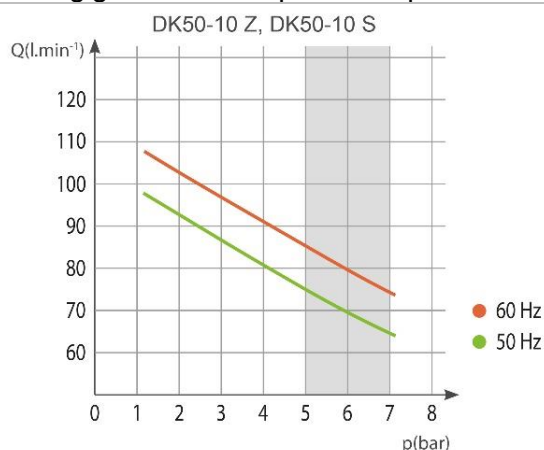
Hinweise:

(\*) Bei Bestellung das Modell des Kompressors angeben

(\*\*) Für andere Druckbereiche: Kontaktieren Sie den Lieferanten

(\*\*\*) Die Angabe über das Gewicht ist nur zur Information und bezieht sich ausschließlich auf das Produkt ohne jegliches Zubehör.

### Abhängigkeit von Kompressorkapazität und Arbeitsdruck

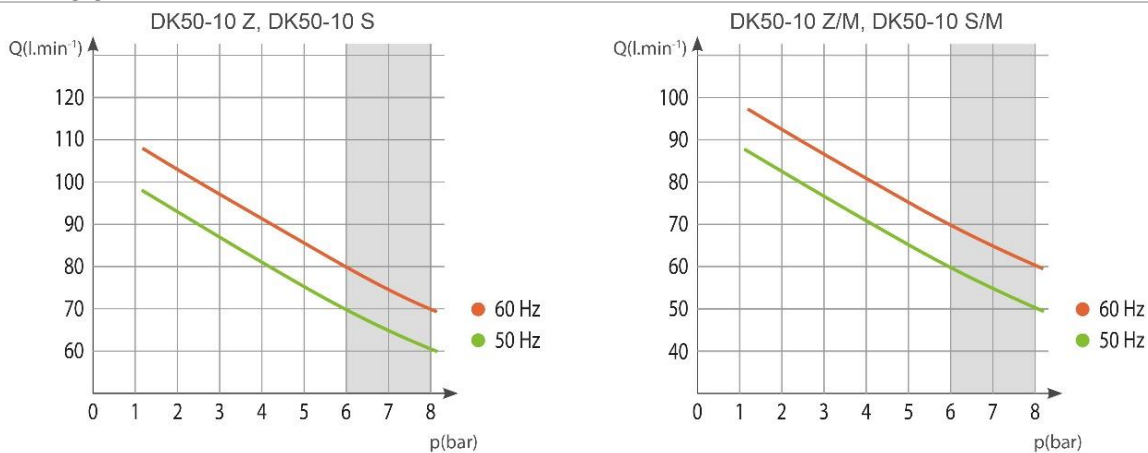


Tab. 2

6 – 8 bar		DK50-10 Z		DK50-10 S		DK50-10 Z/M		DK50-10 S/M	
Nennspannung / Frequenz (*)	V / Hz	230 / 50/60	115 / 60	230 / 50/60	115 / 60	230 / 50/60	115 / 60	230 / 50/60	115 / 60
Kapazität bei 6 bar	Lit.min-1	70/80	80	70/80	80	60/70	70	60/70	70
Arbeitsdruck (**)	bar	6,0 – 8,0		6,0 – 8,0		6,0 – 8,0		6,0 – 8,0	
Nennstrom	A	3,9/4,9	9	3,9/4,9	9	4,1/5,1	9,2	4,1/5,1	9,2
Motorleistung	kW	0,55		0,55		0,55		0,55	
Volumen Drucklufttank	Lit.	10		10		10		10	
Luftqualität – Filterung	µm	-		-		0,1		0,1	
Max. Betriebsdruck des Sicherheitsventils	bar	12,0		12,0		12,0		12,0	
Geräuschpegel bei 5 bar	LpFA [dB]	≤64/≤66	≤66	≤46/≤49	≤49	≤65/≤67	≤67	≤49/≤52	≤52
Betriebsmodus		S1-100%		S1-100%		S1-100%		S1-100%	
PDP-Trocknungsleistung bei 7 bar		-		-		≤ +3°C		≤ +3°C	
Zeit, den Druckluftspeicher von 0 bis 7 bar zu füllen	s	60/51	51	60/51	51	72/61	61	72/61	61
Abmessungen (netto) L x B x H	mm	485x350x553		580x440x655		544x350x553		649x440x655	
Nettogewicht (***)	kg	38		53		44		61	
Klassifizierung unter EN 60601-1		Klasse I.							

**Hinweise:**

- (\*) Bei Bestellung das Modell des Kompressors angeben
- (\*\*) Für andere Druckbereiche: Lieferant konsultieren
- (\*\*\*) Die Angabe über das Gewicht ist nur zur Information und bezieht sich ausschließlich auf das Produkt ohne jegliches Zubehör.

**Abhängigkeit von Kompressorkapazität und Arbeitsdruck**


Tab. 3

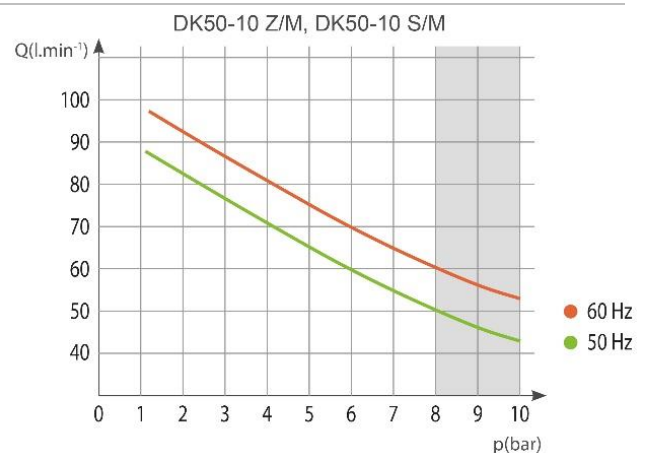
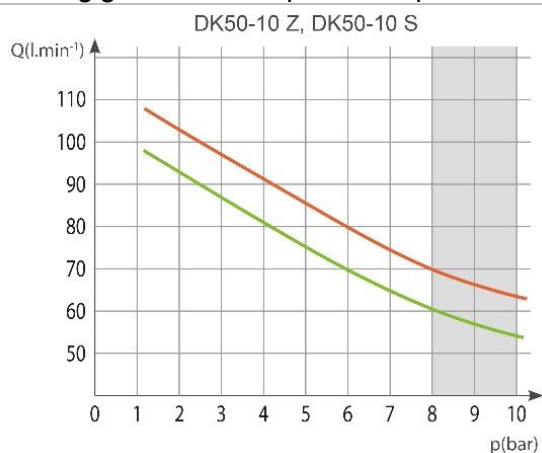
8 – 10 bar		DK50-10 Z		DK50-10 S		DK50-10 Z/M		DK50-10 S/M	
Nennspannung / Frequenz (*)	V / Hz	230 / 50/60	115 / 60	230 / 50/60	115 / 60	230 / 50/60	115 / 60	230 / 50/60	115 / 60
Kapazität bei 8 bar	Lit.min-1	60/70	70	60/70	70	50/60	60	50/60	60
Arbeitsdruck (**)	bar	8,0 – 10,0		8,0 – 10,0		8,0 – 10,0		8,0 – 10,0	
Nennstrom	A	4,1/5,1	9,2	4,1/5,1	9,2	4,3/5,3	9,4	4,4/5,4	9,4
Motorleistung	kW	0,55		0,55		0,55		0,55	
Volumen Drucklufttank	Lit.	10		10		10		10	
Luftqualität – Filterung	µm	-		-		0,1		0,1	
Max. Betriebsdruck des Sicherheitsventils	bar	12,0		12,0		12,0		12,0	
Geräuschpegel bei 5 bar	LpfA [dB]	≤64/≤66	≤66	≤46/≤49	≤49	≤65/≤67	≤67	≤49/≤52	≤52
Betriebsmodus		S1-100%		S1-100%		S1-100%		S1-100%	
PDP-Trocknungsleistung bei 7 bar		-		-		≤ +3°C		≤ +3°C	
Zeit, den Druckluftspeicher von 0 bis 9 bar zu füllen	s	85/75	75	85/75	75	96/82	82	96/82	82
Abmessungen (netto) L x B x H	mm	485x350x553		580x440x655		544x350x553		649x440x655	
Nettogewicht (***)	kg	38		53		44		61	
Klassifizierung unter EN 60601-1		Klasse I.							

Hinweise:

(\*) Bei Bestellung das Modell des Kompressors angeben

(\*\*) Für andere Druckbereiche: Lieferant konsultieren

(\*\*\*) Die Angabe über das Gewicht ist nur zur Information und bezieht sich ausschließlich auf das Produkt ohne jegliches Zubehör.

**Abhängigkeit von Kompressorkapazität und Arbeitsdruck**


## 7.1. FAD-Kapazitätskorrektur für Höhenlagen

Die Kapazität in Form von FAD („Free Air Delivery“ = Volumenstrom bzw. Liefermenge) gilt für die folgenden Bedingungen:

Höhenlage	0 m ü. M.	Temperatur	20 °C
Umgebungsdruck	101325 Pa	Relative Feuchtigkeit	0 %

Um die FAD-Kompressorkapazität in Abhängigkeit von der Höhenlage zu berechnen, muss der Korrekturfaktor gemäß der folgenden Tabelle angewendet werden:

Höhenlage [m ü. M.]	0 bis 1.500	1.501 bis 2.500	2.501 bis 3.500	3.501 bis 4.500
FAD-Korrekturfaktor	1	0,80	0,71	0,60

## 7.2. Konformitätserklärung für elektromagnetische verträglichkeit

Medizinische Geräte erfordern spezielle Vorsichtsmaßnahmen in Bezug auf elektromagnetische Verträglichkeit (EMV) und müssen entsprechend den nachfolgenden EMV-Angaben installiert und verwendet werden.


Anleitung und Herstellererklärung – elektromagnetische Emissionen		
Gemäß IEC 60601-1-2:2014 - Medizinische elektrische Geräte - Teil 1-2: Allgemeine Festlegungen für die Sicherheit einschließlich der wesentlichen Leistungsmerkmale – Ergänzungsnorm: Elektromagnetische Störgrößen - Anforderungen und Prüfungen		
Das Gerät ist für die Verwendung in der nachfolgend beschriebenen elektromagnetischen Umgebung bestimmt: Der Kunde oder Benutzer des Geräts sollte sicherstellen, dass sie in einer derartigen Umgebung zum Einsatz kommt.		
Emissionsprüfung	Compliance	Elektromagnetische Umgebung – Anleitung
HF-Emissionen CISPR 11	Gruppe 1	Das Gerät verwendet HF-Energie nur für seine internen Funktionen. Deshalb sind die HF-Emissionen sehr niedrig, und es ist unwahrscheinlich, dass sie Störungen mit elektronischen Geräten in der Nähe verursachen.
HF-Emissionen CISPR 11	Klasse B	Das Gerät ist zur Verwendung in allen Einrichtungen geeignet, einschließlich in häuslichen Einrichtungen und solchen, die direkt an das öffentliche Niederspannungsversorgungsnetzwerk angeschlossen sind, das Gebäude für Wohnzwecke versorgt.
Oberwellenemissionen IEC 61000-3-2	Klasse A	
Spannungsschwankungen/ Flicker IEC 61000-3-3	Es ist unwahrscheinlich, dass das Gerät Flackern verursacht, da der Stromfluss nach dem Einschalten ziemlich konstant ist.	

<b>Anleitung und Herstellererklärung – elektromagnetische Immunität</b>			
Gemäß IEC 60601-1-2:2014 - Medizinische elektrische Geräte - Teil 1-2: Allgemeine Festlegungen für die Sicherheit einschließlich der wesentlichen Leistungsmerkmale – Ergänzungsnorm: Elektromagnetische Störgrößen - Anforderungen und Prüfungen			
Das Gerät ist für die Verwendung in der nachfolgend beschriebenen elektromagnetischen Umgebung bestimmt: Der Kunde oder Benutzer des Geräts sollte sicherstellen, dass sie in einer derartigen Umgebung zum Einsatz kommt.			
<b>Immunitätsprüfung</b>	<b>IEC 60601-1-2 Teststufe</b>	<b>Compliance-Stufe</b>	<b>Elektromagnetische Umgebung – Anleitung</b>
Elektrostatische Entladung (ESD) IEC 61000-4-2	±8 kV Kontakt ±15 kV Luft	±8 kV Kontakt ±15 kV Luft	Böden sollten aus Holz, Beton oder Keramikfliesen sein. Wenn Böden mit synthetischen Materialien ausgelegt sind, sollte die relative Feuchtigkeit mindestens 30 % betragen.
Elektrische Störgrößen/Burst IEC 61000-4-4	±2 kV für Netzstrom- leitungen ±1 kV für Eingangs- /Ausgangsleitungen	±2 kV 100 kHz Wiederholfrequenz Angewandt für Netzanschluss	Die Netzstromqualität sollte die einer typischen Gewerbe- oder Krankenhausumgebung sein.
Überspannung IEC 61000-4-5	±1 kV Differenzmodus ±2 kV Gleichtakt	±1 kV L-N ±2 kV L-PE; N-PE Angewandt für Netzanschluss	Die Netzstromqualität sollte die einer typischen Gewerbe- oder Krankenhausumgebung sein.
Spannungseinbrüche, kurze Unterbrechung und Spannungs- abweichungen bei Netzstrom- Eingangsleitungen IEC 60601-4-11	$U_T = 0 \%$ , 0,5 Zyklus (bei 0, 45, 90, 135, 180, 225, 270 und 315°)  $U_T = 0 \%$ , 1 Zyklus  $U_T = 70 \%$ 25/30 Zyklen (bei 0°)  $U_T = 0 \%$ 250/300 Zyklen	$U_T \Rightarrow 95 \%$ , 0,5 Zyklus (bei 0, 45, 90, 135, 180, 225, 270 und 315°)  $U_T \Rightarrow 95 \%$ , 1 Zyklus  $U_T = 70 \%$ (30 % Einbruch $U_T$ ), 25(50Hz)/30(60Hz) Zyklen (bei 0°)  $U_T \Rightarrow 95 \%$ , 250(50Hz)/300(60Hz) Zyklus	Die Netzstromqualität sollte die einer typischen Gewerbe- oder Krankenhausumgebung sein. Das Gerät stoppt und startet automatisch bei jedem Einbruch. In diesem Fall tritt kein nicht akzeptabler Druckabfall auf.
Netzfrequenz (50/60 Hz) IEC 61000-4-8	30 A/m	30 A/m	Magnetfelder der Netzfrequenz sollten den typischen Werten eines typischen Standorts in einer typischen Gewerbe- oder Krankenhausumgebung entsprechen.
<b>HINWEIS:</b> $U_T$ ist die Wechselstromspannung vor der Anwendung der Teststufe.			

**Anleitung und Herstellererklärung – elektromagnetische Immunität**

Gemäß IEC 60601-1-2:2014 - Medizinische elektrische Geräte - Teil 1-2: Allgemeine Festlegungen für die Sicherheit einschließlich der wesentlichen Leistungsmerkmale – Ergänzungsnorm: Elektromagnetische Störgrößen - Anforderungen und Prüfungen

Das Gerät ist für die Verwendung in der nachfolgend beschriebenen elektromagnetischen Umgebung bestimmt: Der Kunde oder Benutzer des Geräts sollte sicherstellen, dass sie in einer derartigen Umgebung zum Einsatz kommt.

Immunitätsprüfung	IEC 60601-1-2 Teststufe	Compliance-Stufe	Elektromagnetische Umgebung – Anleitung
Geleitete HF IEC 61000-4-6	3 Vrms 150 kHz bis 80MHz	3 Vrms	Tragbare und mobile HF-Kommunikationsgeräte sollten nicht näher an einem Teil des Geräts, einschließlich Kabeln, sein, als der empfohlene Trennabstand, der aus der jeweiligen Gleichung für die Frequenz des Senders berechnet wird.  <b>Empfohlener Trennabstand</b>  $d=1,2\sqrt{P}$  $d=1,2\sqrt{P}$ , 80 MHz bis 800 MHz  $d=2,3\sqrt{P}$ , 800 MHz bis 2,7 GHz
Gestrahlte HF IEC 61000-4-3	3 V/m 80 MHz bis 2,7 GHz	3 V/m	wobei P die maximale Ausgangsnennleistung des Senders in Watt (W) gemäß Hersteller des Senders ist und d den empfohlenen Trennabstand in Metern (m) bezeichnet.
Abstand von HF-Drahtloskommunikationsgeräten IEC 61000-4-3	9 bis 28 V/m 15 spezifische Frequenzen (380 bis 5800 MHz)	9 bis 28 V/m 15 spezifische Frequenzen (380 bis 5800 MHz)	Feldstärken aus feststehenden HF-Sendern, wie durch eine elektromagnetische Standortuntersuchung <sup>a</sup> festgelegt, sollten weniger als die Compliance-Stufe in jedem Frequenzbereich <sup>b</sup> betragen. Interferenz kann in der Nähe von Geräten auftreten, die mit dem folgenden Symbol gekennzeichnet sind:  

HINWEIS 1 Bei 80 MHz und 800 MHz gilt der jeweils höhere Frequenzbereich.

HINWEIS 2 Diese Richtlinien gelten möglicherweise nicht in allen Situationen. Elektromagnetische Ausbreitung wird durch die Absorption und Reflektion von Strukturen, Objekten und Personen beeinflusst.

<sup>a</sup> Feldstärken von feststehenden Sendern, z. B. Basisstationen für Funktelefone (mobil/kabellos) und mobiler Landfunk, Amateurfunk, AM- und FM-Radioübertragung und TV-Übertragung können theoretisch nicht mit Genauigkeit prognostiziert werden. Für die Bewertung eines elektromagnetischen Umfeldes aufgrund von feststehenden HF-Sendern sollte eine elektromagnetische Standortüberprüfung in Betracht gezogen werden. Wenn die gemessene Feldstärke an dem Standort, an dem das Gerät verwendet wird, die oben genannte geltende HF-Compliance-Stufe übersteigt, sollte das Gerät beobachtet werden, um den Normalbetrieb zu überprüfen. Wenn ein abnormes Verhalten festgestellt wird, sind möglicherweise zusätzliche Maßnahmen erforderlich, z. B. Neuausrichtung oder Standortwechsel des Geräts.

<sup>b</sup> Über den Frequenzbereich von 150 kHz bis 80 MHz sollten die Feldstärken weniger als 3 V/m betragen.

## 8. PRODUKTBESCHREIBUNG

### 8.1. Varianten

Die Kompressorenmodelle gibt es in den folgenden Versionen:

<b>DK50-10 Z</b>	Kompressor für die Bodenmontage und alleinstehende Installation an einem vorgegebenen Ort
<b>DK50-10 Z/M</b>	Kompressor für die Bodenmontage mit Lufttrockner
<b>DK50-10 S</b>	Kompressor in einem Schaltschrank mit effektiver Geräuschkämpfung für den Einbau in Büros
<b>DK50-10 S/M</b>	Kompressor mit Membrantrockner in einem Gehäuse



**DK50-10 Z**



**DK50-10 Z/M**



**DK50-10 S**  
**DK50-10 S/M**

### 8.2. Zubehör

Zubehör, das nicht Teil der standardmäßigen Bestellung ist, muss separat bestellt werden.

#### 8.2.1. Automatischer Kondensatablauf

Der automatische Kondensatablauf (Automatic Condensate Drain; AOK) lässt das Kondensat automatisch und gemäß einem vorgegebenen Zeitintervall aus dem Kompressor-Luftbehälter ab. Der Kondensatablauf (AOK) ist ein geeignetes Zubehörteil für Kompressormodelle ohne Trockner.

Typ	Verwendung	Artikelnummer
AOK 10	DK50-10Z	447000001-046

#### 8.2.2. Satz mit Druckluft-Ausgangsfiltren

Der Kompressor kann, sofern angegeben, mit einem Filtersatz ausgestattet werden. Der Filtersatz kann mit einem Druckluftregler ausgestattet werden.



**Ist ein anderer Grad an Luftfilterung nötig, muss dies mit dem Lieferanten vereinbart und in der Bestellung klar angegeben werden.**

Typ	Verwendung	Grad der Luftfilterung ( $\mu\text{m}$ )	Artikelnummer
FS 20F		1	604014119-003
FS 20M	DK50-10Z	1+0,1	604014119-009
FS 20S	DK50-10Z/M	1+0,01	604014119-012
FS 20A		1+0,01+A**	604014119-013

\*\* ) A – Submikrofilter mit Aktivkohle

### 8.2.3. Filtersatz Reglerbaugruppe

Der Kompressor kann gegebenenfalls mit einem Druckregler des Druckluftauslasses ausgestattet sein. Der Regler muss entsprechend der Anwendung auf den Filtersatz oder separat ausgewählt werden. Der Regler muss einen konstanten Druck am Auslass gewährleisten.

Typ	Verwendung	Artikelnummer
Druckregler (für Filtersatz)	DK50-10Z, DK50-10Z/M	604014142-000
REG10 (Separater)		447000001-042

### 8.2.4. Filtersatz Halterungen



Für jeden Filtersatz muss eine passende Halterung bestellt werden.

Typ	Verwendung	Artikelnummer
Halterung für Kompressormontage	DK50-10Z, DK50-10Z/M	603002108-000
Halterung für Wandmontage		604014186-000

### 8.2.5. Kondensat- und Filtereinheit

Der Kompressor kann zusätzlich mit einer Kondensat- und Filtereinheit (KJF-1 oder KJFR-1) ausgestattet werden. Die KJF-1 oder KJFR-1 -Einheit sorgt dafür, dass die Druckluft aus dem Druckluftbehälter im Kühler gekühlt und das Kondensat im Filter erfasst und automatisch aus dem pneumatischen Verteilersystem abgeschieden wird. Gleichzeitig wird die Druckluft gefiltert.

Typ	Verwendung	Grad der Luftfilterung ( $\mu\text{m}$ )	Druckregler	Artikelnummer
KJF-1	DK50-10Z	5	Nein	450001011-001
KJFR-1	DK50-10Z/M		Ja	450001011-002

## 9. PRODUKTFUNKTION

### Kompressor (Abb. 1)

Das Kompressoraggregat (1) saugt Außenluft durch einen Ansaugfilter (8) an und drückt sie durch ein Rückschlagventil (3) in einen Luftbehälter (2), aus dem das Gerät Druckluft bezieht. Fällt der Druck im Luftbehälter auf den Einschaltdruck ab, schaltet der Druckschalter (4) den Kompressor ein und der Kompressor leitet Druckluft in den Luftbehälter, bis der Ausschaltdruck erreicht wird. Daraufhin schaltet der Kompressor ab. Der Druckschlauch wird durch das Ablassmagnetventil (13) entlüftet, sobald das Kompressoraggregat abgeschaltet ist. Das Sicherheitsventil (5) verhindert, dass der Druck im Luftbehälter über den maximal zulässigen Wert hinaus ansteigt. Das Kondenswasser wird durch das Ablassventil (7) aus dem Luftbehälter abgelassen. Ölfreie Druckluft steht im Druckluftbehälter zur weiteren Nutzung bereit.

Das Kondensat muss in regelmäßigen Intervallen aus dem Druckluftbehälter abgelassen werden (siehe Kapitel 19.1).

**Kompressor mit Membrantrockner. (Abb. 2)**

Das Kompressoraggregat (1) zieht Außenluft durch einen Ansaugfilter (8) ein und komprimiert sie. Dann wird die Luft zum Kühler (14) durch den Filter (15) und das Prüfventil (3) zum Trockner (9) gespeist, anschließend wird die trockene und saubere Luft in den Luftbehälter (2) eingespeist. Ein Teil der Luft wird mit der aufgenommenen Feuchtigkeit aus dem Trockner entlassen und macht sich als leichter Luftstrom entlang des Trocknergehäuses (9) bemerkbar. Das Kondensat aus dem Filter wird automatisch in regelmäßigen Intervallen über das Kondensatablassmagnetventil (16) in den Behälter abgeleitet. Der Trockner sorgt dafür, dass die Druckluft ständig getrocknet wird. Das Kondenswasser wird durch das Ablassventil (7) aus dem Luftbehälter abgelassen, wenn die Trocknerleistung überprüft wird. Ölfreie gefilterte Druckluft steht im Druckluftbehälter zur weiteren Nutzung bereit.

Damit der Membrantrockner wie vorgesehen funktioniert, wird der Trockner direkt an den Luftbehälter ohne zwischengeschaltetes Rückschlagventil angeschlossen. Da der Membrantrockner selektive Membranfasern enthält, erfolgt hierüber eine geringfügige Luftentweichung (rund 0,5 bar/30 min.)

Das ist der Grund für einen nach und nach erfolgenden, langsamen Druckabfall, auch wenn kein Druckluftbedarf (aus dem Luftbehälter) besteht. Dabei handelt es sich jedoch nicht um eine Fehlfunktion.

Der Druckbehälter muss nicht abgelassen werden.

**Kompressorgehäuse**

Der schalldichte Schrank dient zur kompakten Abdeckung des Kompressors. Gleichzeitig gewährt er einen ausreichenden Luftaustausch. Wegen seinem Design kann er in einer Zahnarztpraxis als Teil der Möblierung aufgestellt werden. Der Ventilator unter dem Kompressoraggregat kühlt den Kompressor und läuft gleichzeitig mit dem Kompressormotor. Nach längerem Betrieb des Kompressors kann die Temperatur im Schrank über 40 °C steigen; in diesem Fall schaltet sich der Kühllüfter automatisch ein. Sinkt die Temperatur im Schrank unter 32 °C, schaltet sich der Kühllüfter automatisch aus.



**Stellen Sie sicher, dass der Luftstrom unter und rund um den Kompressor nicht beeinträchtigt wird. Bedecken Sie niemals den Warmluftausgang an der oberen Rückseite des Gehäuses.**

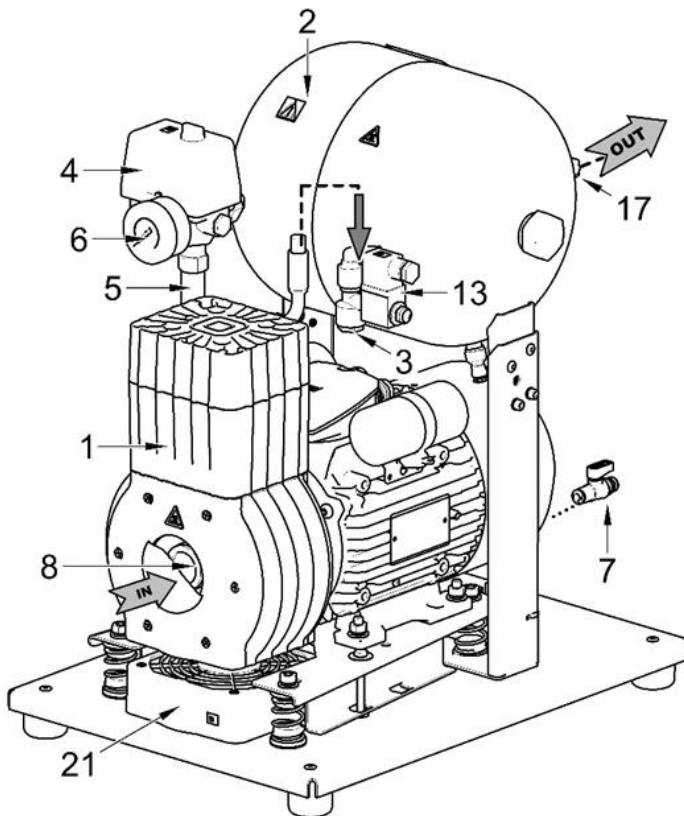


**Wird der Kompressor auf eine weiche Unterlage (z.B. auf einen Teppich) gestellt, muss durch harte Unterlagen ein ausreichender Abstand zwischen dem Unterboden und dem Boden oder dem Schrank und dem Boden gewährleistet werden, um eine entsprechende Kühlleistung zu garantieren.**

Das Kompressormodell mit 8-10 bar ist mit einem Stundenzähler ausgestattet. (Abb.3).

Abb. 1: DK50-10Z - Kompressor

## Beschreibung für Abbildungen 1–3



- 1 Kompressoraggregat
- 2 Luftbehälter
- 3 Rückschlagventil
- 4 Druckschalter
- 5 Sicherheitsventil
- 6 Manometer
- 7 Ablassventil
- 8 Ansaugfilter
- 9 Trockner
- 10 -
- 11 -
- 12 -
- 13 Magnetventil
- 14 Trocknerkühler
- 15 Filter
- 16 Kondensatablassmagnetventil
- 17 Druckluftausgang
- 18 Trennschalter
- 19 Flasche
- 20 Magnetische Halterung
- 21 Lüfter
- 22 Schalter
- 23 Stundenzähler
- 24 Buchse
- 25 Gehäuselüfter

Abb. 2: DK50-10Z/M - Kompressor mit Trockner

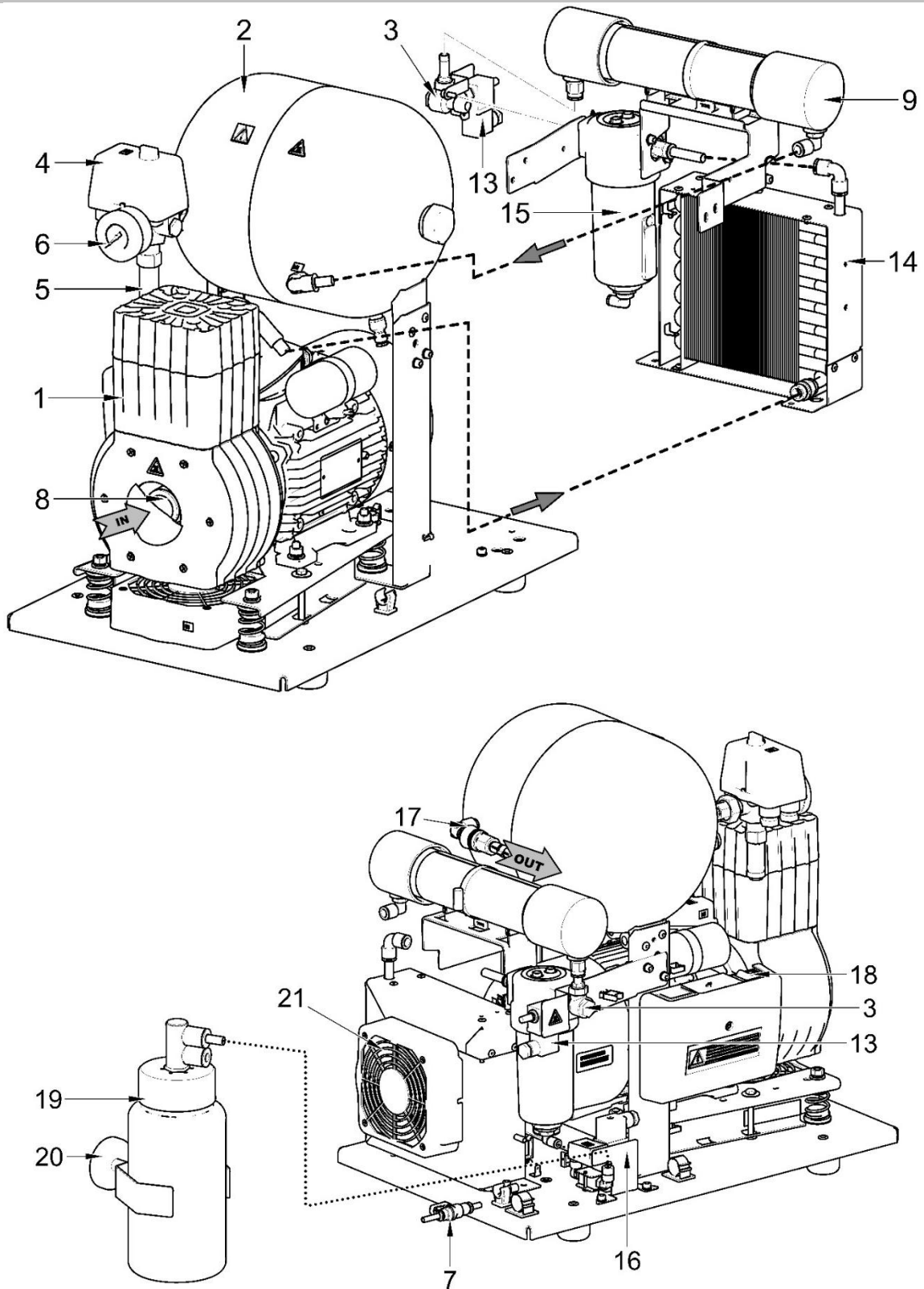
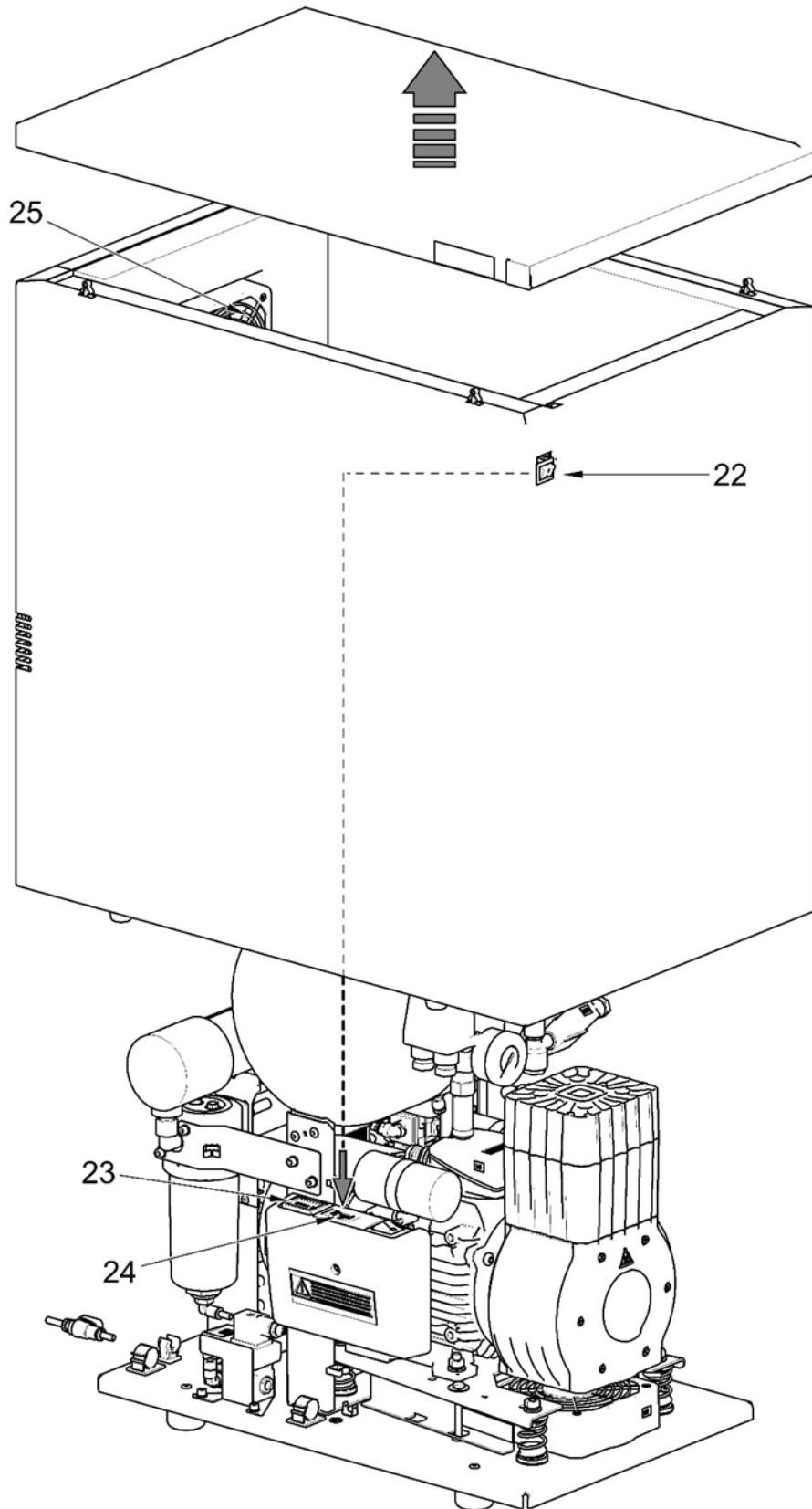
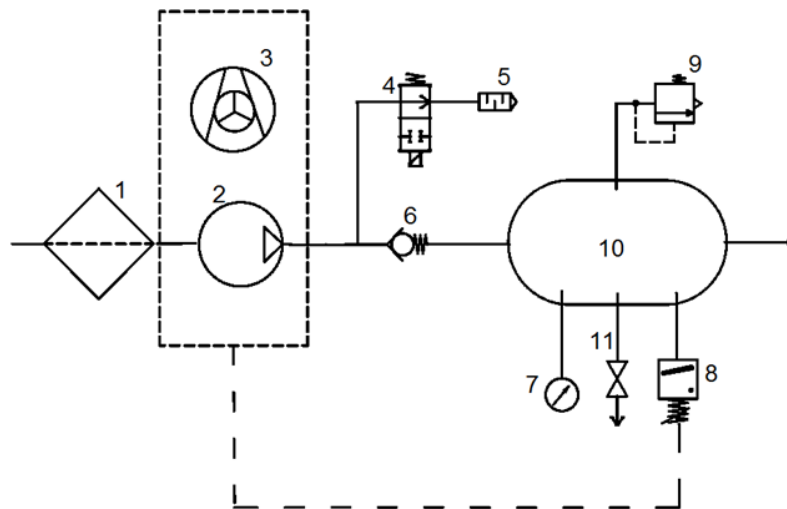


Abb. 3: Kompressor DK50-10 S/M (8-10bar)

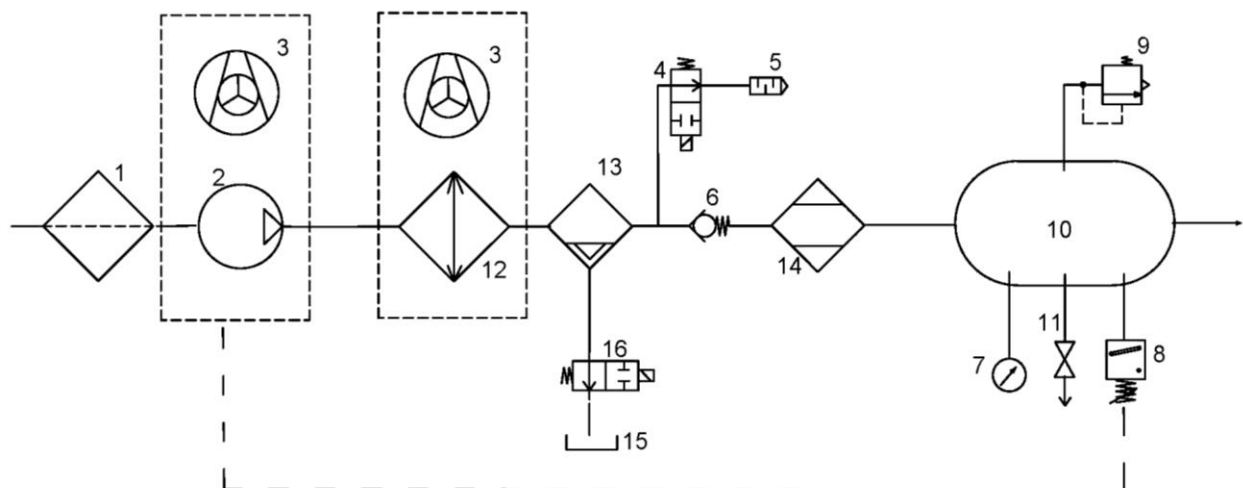


## 10. DRUCKLUFTPLAN

## DK50-10Z, DK50-10S



## DK50-10Z/M, DK50-10S/M



## Legende für Druckluftplan

- |                    |                                |
|--------------------|--------------------------------|
| 1 Ansaugfilter     | 9 Sicherheitsventil            |
| 2 Kompressor       | 10 Luftbehälter                |
| 3 Lüfter           | 11 Ablassventil                |
| 4 Ablassventil     | 12 Kühler                      |
| 5 Schalldämpfer    | 13 Koaleszenzfilter            |
| 6 Rückschlagventil | 14 Membrantrockner             |
| 7 Manometer        | 15 Kondensatauffangbehälter    |
| 8 Druckschalter    | 16 Kondensatablassmagnetventil |

## INSTALLATION

### 11. EINSATZBEDINGUNGEN

- Kompressoren dürfen nur in trockenen, gut belüfteten und sauberen Umgebungen mit Umweltbedingungen verwendet werden, die die in Kapitel 7, Technische Daten, definierten Anforderungen erfüllen. Der Kompressor muss so installiert werden, dass er für die Bedienung und Wartung jederzeit leicht zugänglich ist. Stellen Sie sicher, dass das Typenschild auf dem Gerät einfach zu lesen ist.
- Der Kompressor muss auf einer ebenen und ausreichend stabilen Grundlage stehen (bezogen auf das Gewicht des Kompressors ist Vorsicht geboten, siehe Kapitel 7, Technische Daten).
- Kompressoren dürfen nicht im Freien oder in sonstigen nassen oder feuchten Umgebungen verwendet werden. Verwenden Sie den Kompressor nicht in der Nähe von explosiven Gasen, Staub oder brennbaren Flüssigkeiten.
- Vor Einbau des Kompressors in ein medizinisches Gerät muss der Lieferant bestätigen, dass alle Bedingungen für die Nutzung erfüllt sind. Beachten Sie die technischen Daten des Produkts. Der Hersteller bzw. Lieferant des Geräts muss bei der Aufstellung des Geräts eine Klassifizierung und Bewertung zur Kompatibilität vornehmen.
- Jede über diesen Nutzungsrahmen hinausgehende Verwendung wird als unsachgemäße Nutzung betrachtet. Der Hersteller ist nicht verantwortlich für Schäden, die aus einer solchen unsachgemäßen Nutzung entstehen. Der Bediener/Nutzer übernimmt alle Risiken.



**Der Kompressor darf nur durch eine hierfür qualifizierte Fachkraft installiert und in Betrieb genommen werden. Diese Fachkraft ist verpflichtet, professionelles Bedienpersonal bzgl. der Nutzung und Wartung des Geräts zu schulen. Der Installateur bestätigt die Installation und Schulung aller Mitarbeiter durch seine Unterschrift im Installationszertifikat.**



**Stellen Sie vor der Installation sicher, dass der Kompressor frei von Verpackungsmaterial und Stabilisatoren ist, um Schäden am Produkt zu vermeiden.**



**Teile des Aggregats werden möglicherweise heiß und können während des Kompressorbetriebs hohe Temperaturen erreichen und hierdurch ein Risiko für Bediener und Materialien darstellen. Verbrennungs- oder Brandgefahr! Vorsicht! Heiße Oberfläche!**



**Wenn Sie das Produkt erstmals einsetzen, stellen Sie möglicherweise (für kurze Zeit) einen Geruch nach „neuem Produkt“ fest. Dieser Geruch ist vorübergehend und beeinträchtigt die normale Nutzung des Produkts nicht. Sorgen Sie dafür, dass der Raum nach der Installation richtig gelüftet wird.**

### Umgebungsbetriebsbedingungen

Temperatur: +5 °C bis +40 °C,  
Max. relative Feuchtigkeit: 70 %  
Max. absolute Feuchtigkeit: 15 g/m<sup>3</sup>.

## 12. AUFSTELLEN DES KOMPRESSORS



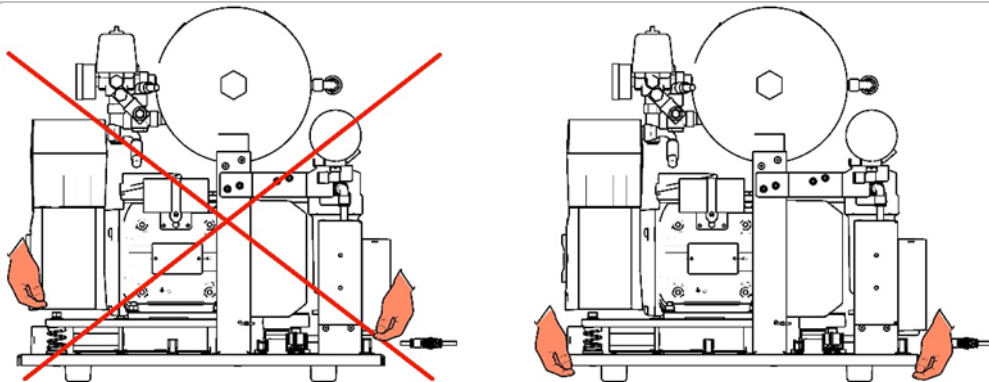
Das Gerät darf nur von einem qualifizierten Fachmann installiert werden.

- Nehmen Sie den Kompressor aus seiner Verpackung.

### 12.1. Handhabung und Freigabe des Kompressors

- Stellen Sie den Kompressor am künftigen Einsatzort auf (Abb. 4).

Abb. 4

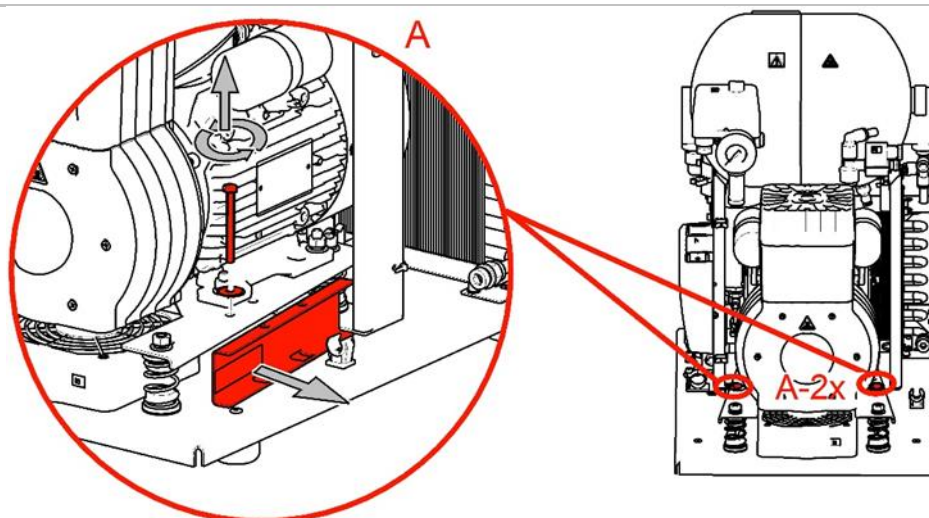


- Entfernen Sie die Transportstützen von den Aggregaten. (Abb. 5)



Entfernen Sie alle für die Sicherung des Kompressoraggregats verwendeten Komponenten, nachdem das Kompressor-Set am endgültigen Einsatzort installiert und montiert wurde!

Abb. 5



## 13. PNEUMATISCHE ANSCHLÜSSE

### 13.1. Anschluss an den Druckluftausgang (Abb. 6)

Schließen Sie einen Druckluftschlauch an, der an einem Ende mit einer Schnellkupplung (1) am Druckluftausgang (2) des Kompressors angeschlossen wird. Schließen Sie den Schlauch an das Druckluftsystem oder direkt an die Gerätschaft an, in diesem Fall an die Dentalausrüstung.



Abb. 6

Führen Sie den Druckschlauch bei Kompressoren mit Schrankmontage durch die Öffnung an der Rückwand des Schrankes. (Abb.7)

### 13.2. Anschluss des Kondensatbehälters (Abb.7)

- Schließen Sie bei Kompressoren mit Trocknern den Kondensatablaufschauch an den Kondensatbehälter an.
- Führen Sie bei Kompressor-Modellen mit Trockner den Schlauch durch die Öffnung an der Rückwand des Gehäuses und verbinden Sie ihn mit dem Behälter.

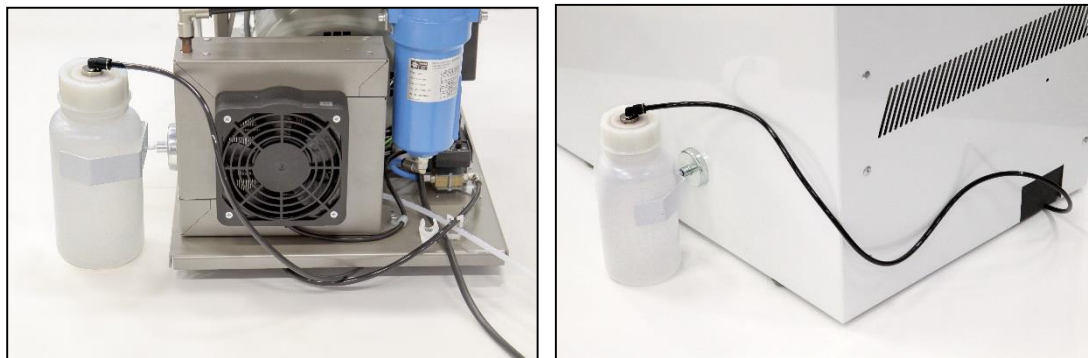


Abb. 7

## 14. ELEKTRISCHE ANSCHLÜSSE

Das Produkt wird mit einem Netzkabel mit Schutzkontaktsteckern geliefert.



**Befolgen Sie unbedingt alle örtlichen Vorschriften für die Elektrik. Die Netzspannung und Netzfrequenz müssen mit den Angaben auf dem Gerätetypenschild übereinstimmen.**

- Aus Sicherheitsgründen muss die Steckdose gut zugänglich sein, damit das Gerät im Notfall schnell vom Netz getrennt werden kann.
- Der Stromkreis muss im Sicherungskasten maximal 16 A sein.



Das Gehäuse für das DK50-10S/M Kompressormodell mit 10 bar ist mit einem Kühllüfter und einem Schalter ausgestattet. Das Gehäuse muss mithilfe des mitgelieferten Kabels mit Stecker in den passenden Anschluss am Bedienfeld des Kompressors angeschlossen werden. (Abb. 4)



Stellen Sie sicher, dass das Stromkabel keine heißen Komponenten des Kompressors berührt. Achtung, Stromschlaggefahr!



Beschädigte elektrische Kabel oder Luftschläuche müssen sofort ausgetauscht werden.

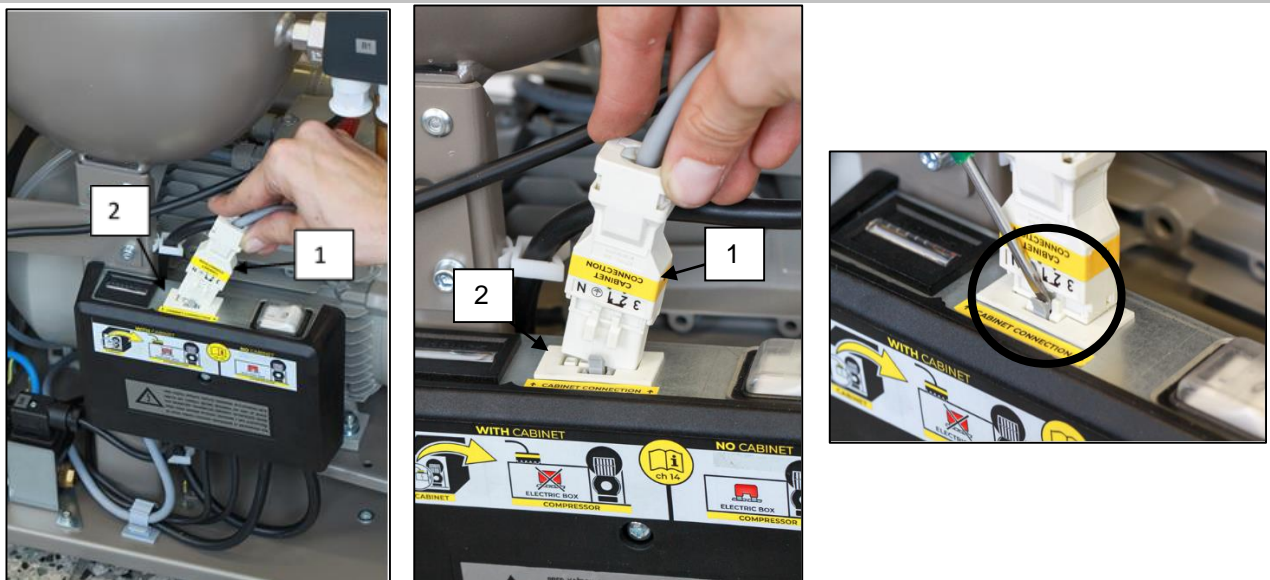
#### 14.1. Anschließen eines Kompressors ohne Gehäuse

- Stecken Sie den Netzstecker in eine Steckdose mit entsprechender Spannung.
- Der Kompressor ist nun betriebsbereit.

#### 14.2. Anschließen eines Kompressors mit Gehäuse

- Führen Sie bei Kompressoren mit Gehäuse den Netzstecker durch die Öffnung an der Rückwand des Gehäuses.
- Schließen Sie der DK50-10S/M-Schrank (nur Modelle mit 8 bis 10 bar) Schaltschrank an den Kompressor an, indem Sie den Stecker (1) des mitgelieferten Netzkabels in eine Steckdose stecken. (Abb. 8)
- Unterbrechen Sie die den elektrischen Anschluss zwischen Schaltschrank und Kompressor, indem Sie den Stecker (1) aus der Steckdose ziehen, während die Verriegelung gelöst ist.

Abb. 8



15. ANSCHLUSSDIAGRAMM

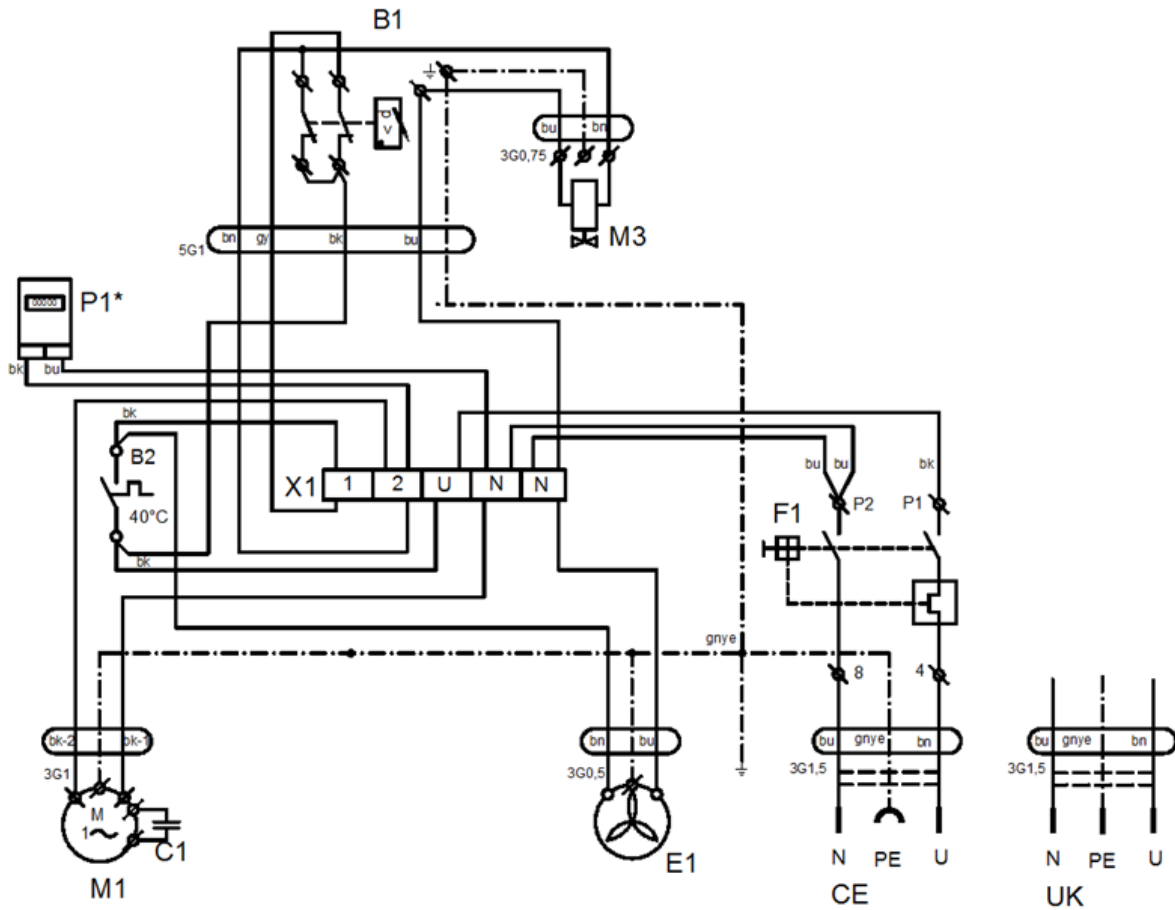
DK50-10Z, DK50-10S

5 - 7 bar, 6 - 8 bar, 8 - 10 bar

1/N/PE 230 V, 50/60 Hz

115 V, 60 Hz

ELEKTRISCHES OBJEKT 1. KAT.



P1\* - Schließen Sie den Jumper nur für Kompressormodelle ohne Gehäuse an

# DK50-10

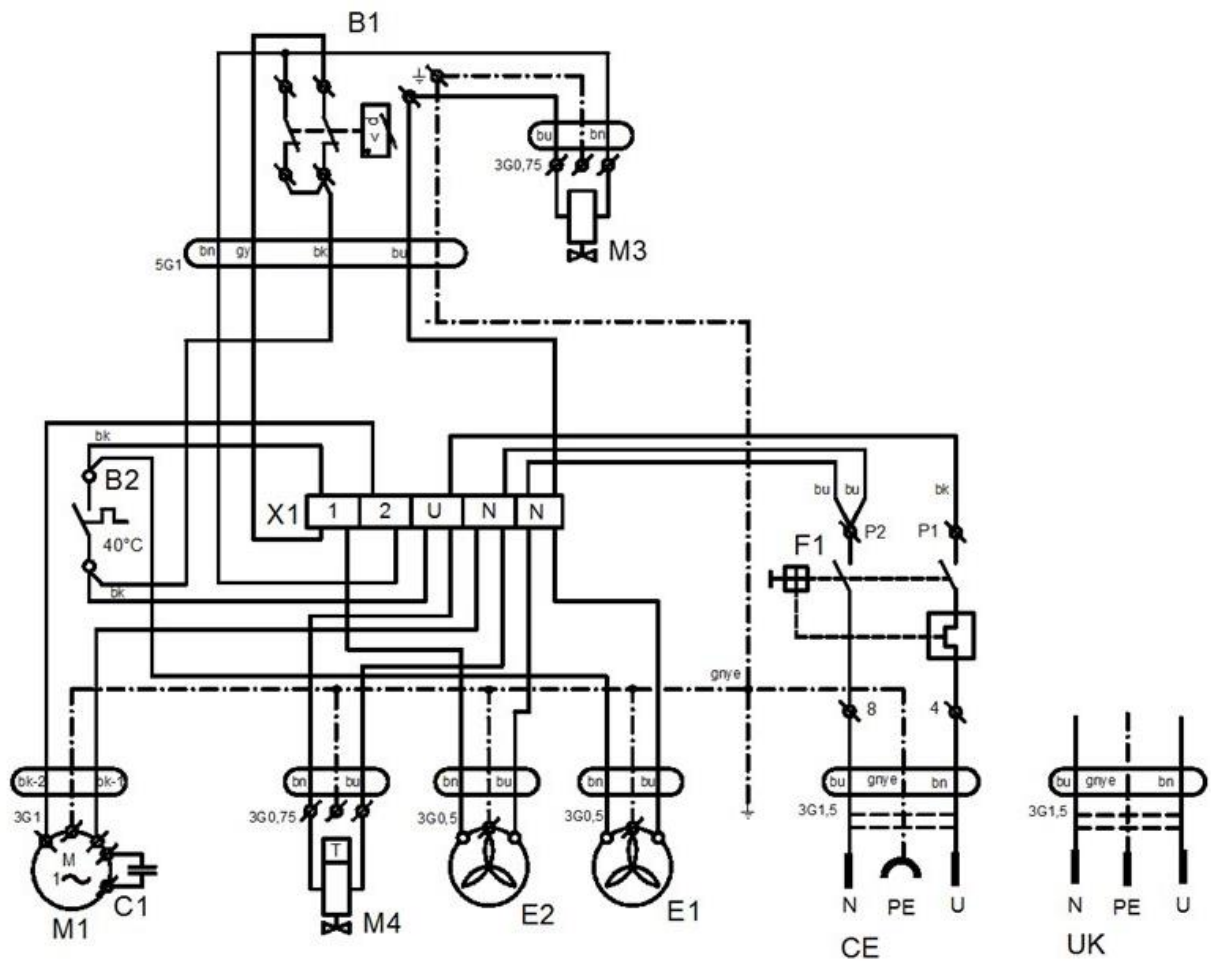
**DK50-10Z/M, DK50-10S/M**

**5 - 7 bar, 6 - 8 bar**

1/N/PE 230V, 50/60Hz

115V, 60Hz

ELEKTRISCHES OBJEKT 1. KAT.



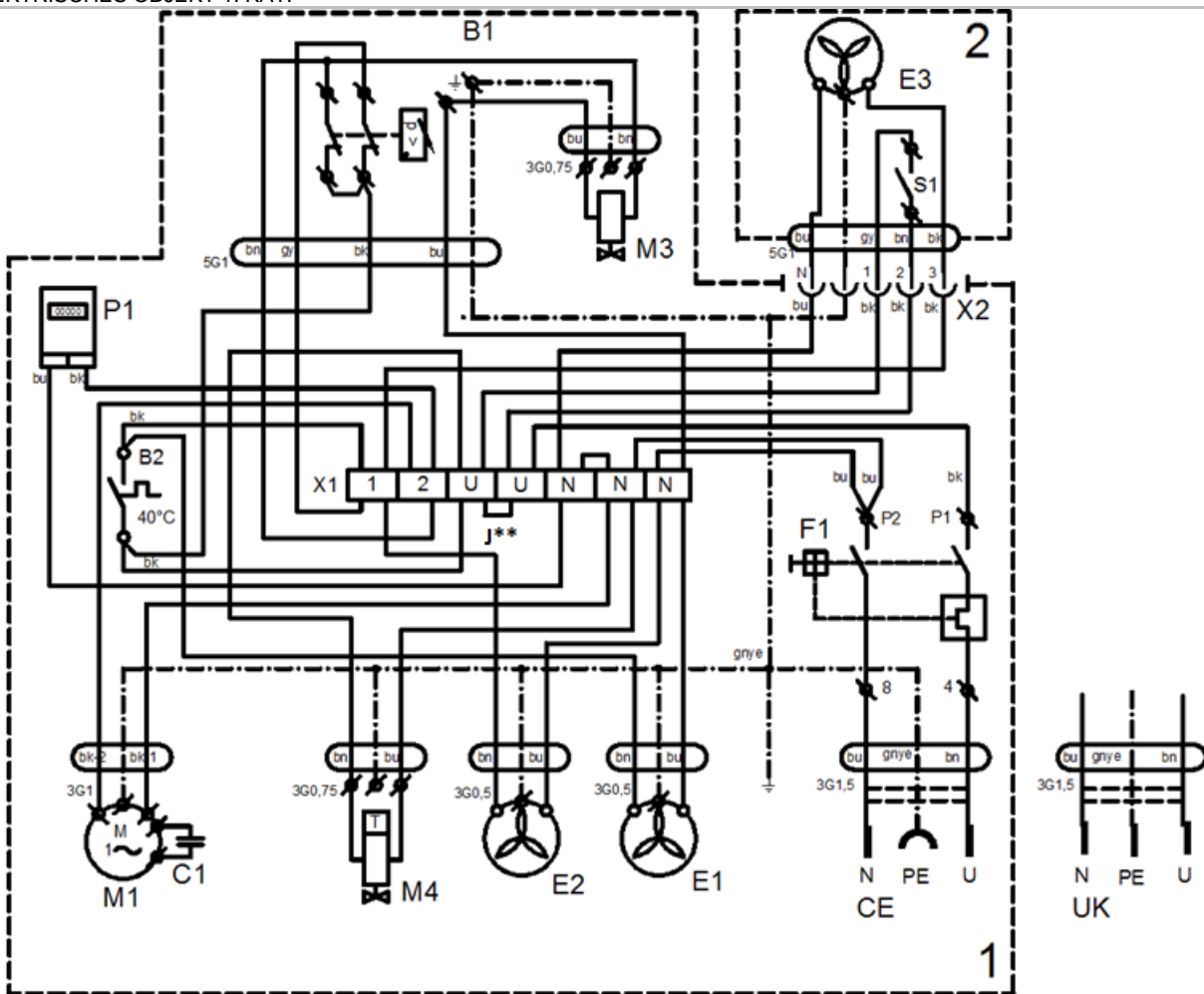
**DK50-10Z/M, DK50-10S/M**

**8 - 10 bar**

1/N1PE 230 V, 50/60 Hz

115 V, 60 Hz

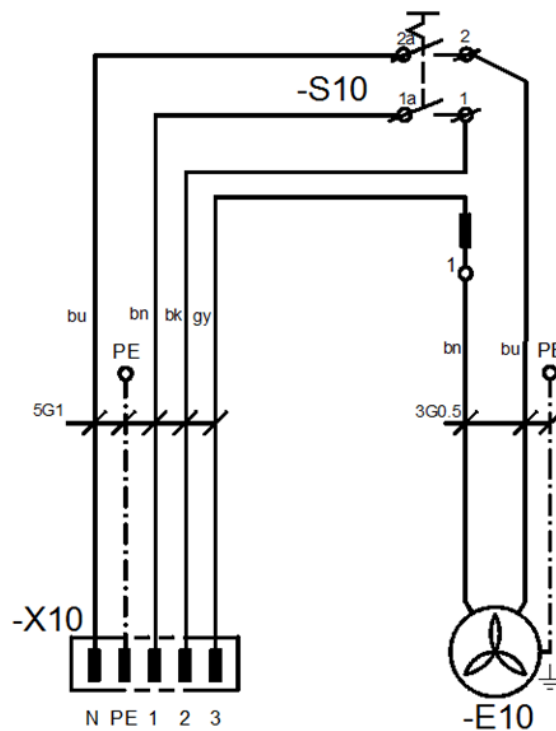
ELEKTRISCHES OBJEKT 1. KAT.



J\*\* - Stundenzähler nur für das Kompressormodell mit 8 bis 10 bar installiert (Kap. 19.10)      1-Kompressor

2-Schrank

P1\* - Schließen Sie den Jumper nur für Kompressormodelle ohne Gehäuse an



### Legende für Elektroschaltplan

M1	Kompressormotor	C1	Kondensator
E1	Kompressorlüfter	B1	Druckschalter
E2	Trocknerlüfter	X1	Anschlusskasten
M3	Ablassventil	F1	Trennschalter
B2	Temperaturschalter	M4	Kondensatablassventil
E3, E10	Schranklüfter	P1	Stundenzähler
X10, X2	Stecker	S10	Schalter

## BEDIENUNG



**DAS GERÄT DARF NUR DURCH GESCHULTES PERSONAL BEDIENT WERDEN!**



**DAS GERÄT BEI GEFahr VOM STROMNETZ TRENNEN (NETZSTECKER ZIEHEN).**



**DIE OBERFLÄCHEN DES KOMPRESSORAGGREGATS SIND HEISS. BEI KONTAKT KÖNNEN VERBRENNUNGEN ODER FEUER DIE FOLGE SEIN.**



Bei längerem Betrieb des Kompressors erhöht sich die Temperatur im Schrank auf über 40 °C und der Kühlventilator schaltet sich automatisch ein. Kühlt die Temperatur auf unter 32 °C ab, schaltet sich der Kühlventilator wieder aus.



Automatischer Start – Sinkt der Druck im Druckbehälter unter den Einschaltdruck, schaltet sich der Kompressor automatisch ein. Der Kompressor schaltet sich automatisch aus, wenn der Druck im Drucklufttank den Abschaltdruck erreicht.



Die Einstellungen des Arbeitsdrucks für den Druckschalter, die vom Hersteller eingestellt sind, können nicht geändert werden. Der Kompressorbetrieb bei einem Betriebsdruck unter dem Schaltdruck weist auf einen hohen Luftverbrauch hin (siehe Kapitel Störungen).



Die benötigte Trocknungsleistung kann nur erreicht werden, wenn die angegebenen Betriebsbedingungen eingehalten werden.



Die Trocknungsleistung lässt nach und der erreichte Taupunkt fällt, wenn der Trockner bei einem Druck unterhalb des Mindestarbeitsdrucks benutzt wird!



**WIRD DER TROCKNER BEI EINER UMGEBUNGSTEMPERATUR BETRIEBEN, DIE HÖHER ALS DIE MAX. BETRIEBSTEMPERATUR IST, KANN DER TROCKNER BESCHÄDIGT WERDEN!**

## 16. INBETRIEBNAHME

- Stellen Sie sicher, dass alle Transporthilfen entfernt wurden.
- Kontrollieren Sie, ob alle Druckluftleitungen ordnungsgemäß angeschlossen sind.
- Kontrollieren Sie, ob der Strom korrekt an den Kompressor angeschlossen ist.
- Kontrollieren Sie die Position des Trennschalters; sie sollte auf der „I“-Position stehen; wenn der Schalter (4) auf der „0“-Position bleibt, stellen Sie ihn auf die „I“-Position. (Abb. 9)
- Kontrollieren Sie, ob der DK50-10S/M-Schrank (nur Modelle mit 8 bis 10 bar) über das Steckerkabel mit dem Kompressor verbunden ist. (Abb. 8)
- Bei DK50-10 S/M-Kompressoren (8 bis 10 bar) stellen Sie den Schalter (5) vorn am Schrank auf die „I“-Position und die grüne Lampe am Gerät zeigt den Betriebsstatus an. (Abb. 9)



**Der Kompressor besitzt keine Reserveenergiequelle.**

## 17. EINSCHALTEN DES KOMPRESSORS

(Abb. 9)

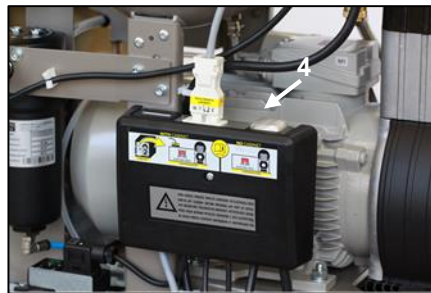
Starten Sie den Kompressor (ohne Gehäuse) am Druckschalter (1), indem Sie den Schalter (2) auf Position „I“ stellen. Dadurch wird der Kompressor gestartet und der Tank bis zum Ausschaltdruck gefüllt, wodurch der Kompressor abgeschaltet wird.

Starten Sie den DK50-10 S/M-Kompressoren (8 bis 10 bar) (mit Gehäuse) über den Schalter (5) an der Vorderseite des Gehäuses. Die Anzeige leuchtet grün. Dies startet den Kompressor und füllt den Tank bis zum Ausschaltdruck, was den Kompressor abschaltet.

Der Kompressor läuft im Automatikmodus und wird durch den Druckschalter basierend auf dem Druckluftverbrauch ein- und ausgeschaltet.

Kontrollieren Sie die Werte des Ein- und Ausschaltdrucks mithilfe des Druckmessers (3). Eine Toleranz von  $\pm 10\%$  ist akzeptabel. Der Druck im Luftbehälter darf den zulässigen Betriebsdruck nicht überschreiten.

Abb. 9



DK50-10S/M 8-10bar



**Anpassungen an den Druckbereich des Kompressor-Druckschalters sind unzulässig. Der Druckschalter (1) wurde vom Hersteller eingestellt. Diese Einstellungen dürfen nur von einem vom Hersteller geschulten, qualifizierten Techniker geändert werden.**

**Kompressor** – bei der ersten Inbetriebnahme füllt der Kompressor den Druckluftbehälter bis zum Schaltdruck und der Druckschalter schaltet den Kompressor aus. Der Kompressor läuft im Automatikmodus und wird durch die Ein- und Aus-Druckeinstellungen am Druckschalter abhängig vom Druckluftverbrauch gesteuert.

**Kompressor mit Trockner** – der Kompressor läuft auf dieselbe Art und Weise wie oben beschrieben, nur strömt die Druckluft durch einen Kühler, um Feuchtigkeit aus der Druckluft zu entfernen.

## 18. ABSCHALTEN DES KOMPRESSORS

(Abb. 9)

Für Wartungsarbeiten oder aus anderen Gründen wird der Kompressor über den Druckschalter (1) abgeschaltet, indem der Wahlschalter (2) auf die „0“-Position gestellt und der **Netzstecker aus der Steckdose gezogen wird**. Damit wird der Kompressor von der Stromversorgung getrennt. Lassen Sie die Druckluft im Druckluftbehälter durch Öffnen des Ablassventils vollständig ab. (Abb. 10)

## WARTUNG

### 19. WARTUNG DES GERÄTS

#### Warnung!

Der Bediener muss mindestens alle 24 Monate (EN62353) oder in Intervallen, die durch geltende nationale Rechtsvorschriften vorgegeben sind, das Gerät regelmäßig testen. Die Testergebnisse sind aufzuzeichnen (z. B. gemäß EN 62353, Anhang G), darin sind auch die Messverfahren zu nennen.

Das Gerät wurde so konstruiert und hergestellt, dass nur eine minimale Wartung nötig ist. Die folgenden Arbeiten sind auszuführen, um ein korrektes und zuverlässiges Funktionieren des Kompressors zu gewährleisten.



Bevor Sie mit den Wartungsarbeiten am Kompressor beginnen, stellen Sie sicher, dass der Kompressor vom Gerät getrennt ist, um die Person, die am Gerät arbeitet, nicht zu gefährden und um Sachschäden zu vermeiden!



Aggregatkomponenten (Köpfe, Zylinder, Druckschlauch usw.) sind während und direkt nach dem Kompressorbetrieb sehr heiß – Komponenten nicht berühren!



Reparaturarbeiten, die den Rahmen der normalen Wartung überschreiten, dürfen nur durch qualifizierte Fachleute oder durch den Kundendienst des Herstellers ausgeführt werden.

Dabei dürfen nur vom Hersteller zugelassene Ersatzteile und zugelassenes Zubehör verwendet werden.



**SCHÜTZEN SIE IHRE AUGEN. TRAGEN SIE EINE SCHUTZBRILLE, WENN SIE DRUCKLUFT AUS DEM DRUCKLUFTKREISLAUF (DRUCKLUFTTANK) ENTLASSEN.**

Das Kompressormodell mit 8–10 bar ist mit einem Stundenzähler ausgestattet. (Abb. 3)

Die nachfolgenden Arbeiten dürfen nur von geschultem Personal wie folgt ausgeführt werden:



**BEVOR SIE MIT WARTUNGSARBEITEN BEGINNEN, TRENNEN SIE DEN KOMPRESSOR VOM NETZSTROM (NETZSTECKER ZIEHEN) UND LASSEN SIE DIE DRUCKLUFT AUS DEM LUFTBEHÄLTER AB.**



**Vor Wartungs- oder Servicearbeiten und vor dem Anschließen/Trennen der Druckluftversorgung das Gerät abkühlen lassen!**



**Wurde der Erdungsdraht bei Servicearbeiten entfernt, diesen nach Abschluss der Arbeiten wieder an der ursprünglichen Position anbringen.**

Für Wartungs- oder Reparaturarbeiten kann der Kompressor aus dem Gehäuse herausgezogen werden (auf Lenkrollen und so weit, wie es das Kabel zwischen Kompressor und Schrank erlaubt; siehe auch Kap. 19). Danach können die erforderlichen Wartungs- oder Reparaturarbeiten durchgeführt werden.

Löst sich das Kabel zwischen Kompressor und Gehäuse (durch Ziehen des Netzsteckers, siehe Kap. 14.2.), funktioniert der Kompressor nicht mehr. Um den Kompressor wieder in Betrieb zu nehmen, befolgen Sie bitte die Anweisungen aus Kap. 14.2. oder 19.10. oder 19.11.

19.1. Wartungsintervalle

Zeitintervall <sup>c)</sup>	50 Hz		einmal täglich	einmal wöchentlich	einmal jährlich	Alle 2 Jahre	2000 Stunden						Kap.	Ersatzteil-Set Ausgeführt durch		
	60 Hz						1600 Stunden		4000 Stunden		6000 Stunden				8000 Stunden	
							Stunden	Stunden	Stunden	Stunden	Stunden	Stunden			Stunden	Stunden
Betriebliche Produktüberprüfungen			x										19.2	-	Benutzer	
Kondensat aus Druckluftbehälter ablassen – bei hoher Luftfeuchtigkeit <sup>b)</sup> – Das Kondensat aus dem Behälter ablassen <sup>d)</sup>			x										19.5	-	Benutzer	
Kondensat aus Druckluftbehälter ablassen <sup>b)</sup> - Bei normaler Luftfeuchtigkeit				x									19.5	-	Benutzer	
Produktfunktionsprüfung				x									9	-	Benutzer	
Prüfen der Dichtigkeit der Anschlüsse und Prüfen des Geräts					x								19.3	-	Benutzer	
Überprüfung der Stromanschlüsse					x								19.4	-	Benutzer	
Überprüfung von Kühler und Lüfter					x								19.9	-	Qualifizierte Fachkraft	
Austausch des Filterelements im Trocknerfilter					x								19.8	025200304-000	Qualifizierte Fachkraft	
Kontrolle des Sicherheitsventils					x								19.6	-	Qualifizierte Fachkraft	
Austausch des Ansaugfilters am <sup>t a)</sup>						x				x			19.7	025200126-000	Qualifizierte Fachkraft	
Führen Sie eine „Wiederholungsprüfung“ nach EN 62353 aus						x							19.	x	Qualifizierte Fachkraft	

a) Daten werden in Stunden angegeben; falls nicht möglich, werden die Daten in Jahren angegeben

b) nur für Kompressoren ohne Trockner

c) Reduzieren Sie für Kompressormodelle mit 60 Hz das Zeitintervall in Stunden um 20 % (2000h./1600h., 4000h./3200h., 6000h./4800h., 8000h./6400h., 10000h./8000h., 12000h./9600h.)

d) nur für Kompressoren mit Trockner

## 19.2. Betriebsprüfungen

- Aggregatzustand prüfen – die Aggregate sollten normal, ohne übermäßige Schwingung oder Geräuschentwicklung laufen. Beheben Sie Probleme oder rufen Sie einen Servicemitarbeiter, falls ein Fehler erkannt wurde
- Sichtprüfung des Lüfterbetriebs – die Lüfter müssen anlaufen, wenn ein Aggregat in Betrieb ist. Beheben Sie Probleme oder rufen Sie einen Servicemitarbeiter, falls ein Fehler erkannt wurde
- Stellen Sie sicher, dass das Netzkabel und die Druckluftschläuche unbeschädigt sind. Ersetzen Sie beschädigte Komponenten oder rufen Sie einen Servicemitarbeiter.
- Überprüfen Sie die Umgebungstemperatur – die Umgebungstemperatur muss unter der Temperaturgrenze (40 °C) liegen. Kühlen Sie den Bereich, wenn die Temperatur zu hoch ist.
- Bei Kompressoren mit Trockner – öffnen Sie den Stopfen am Kondensatsammelbehälter, um das Kondensat abzulassen.

## 19.3. Prüfen Sie die Dichtigkeit der Druckluftverbindung und Prüfen Sie das Gerät

### Prüfung der Dichtigkeit:

- Prüfen Sie die Dichtigkeit der Druckluftanschlüsse, wenn der Kompressor läuft – unter Druck.
- Verwenden Sie ein Lecksuchgerät oder Seifenwasser, um alle Verbindungen und Anschlüsse auf Undichtigkeiten zu überprüfen. Verbindungen, an denen Undichtigkeiten festgestellt wurden, sind festzuziehen oder erneut abzudichten.

### Prüfung des Geräts:

- Überprüfen Sie den Zustand des Kompressoraggregats auf reibungslosen Betrieb und niedrigen Geräuschpegel.
- Überprüfen der Lüfterfunktion – die Lüfter müssen während der festgelegten Arbeitszyklen des Kompressors laufen
- Überprüfung der Temperaturschaltung (B2) – heizen Sie den Temperaturschalter auf eine Temperatur über 40 °C auf (z. B. durch Verwendung einer Wärmepistole. Achten Sie darauf, keine Plastikteile in der Umgebung zu verformen). Der Lüfter EV1 (und EV2 bei Kompressoren mit Trockner) läuft an, sobald die Temperatur 40 °C erreicht, sofern der Kompressor an den Strom angeschlossen ist.
- Überprüfen Sie den Filterzustand – die Filter müssen unbeschädigt und ausreichend sauber sein.
- Überprüfen Sie den Zustand des Aggregates selbst und achten Sie darauf, dass keine Verschmutzungen im Kurbelwellengehäuse und kein Spiel im Kurbelwellengehäuse vorhanden sind.
- Defekte Teile sind nach Bedarf auszutauschen.

## 19.4. Überprüfung der Stromanschlüsse



**Kontrollieren Sie alle Stromanschlüsse am Gerät bei getrenntem Netzstromanschluss!**

### Überprüfung

- Kontrollieren Sie die mechanische Funktion des Druckschalters.
- Stellen Sie sicher, dass das Netzkabel und die angeschlossenen Kabel unbeschädigt sind.
- Nehmen Sie eine Sichtprüfung der Anschlüsse der einzelnen Kabel an der Klemmleiste vor.
- Überprüfen Sie alle Schraubklemmen bzgl. der schützenden grünen und gelben PE-Erdungsleiter.

### 19.5. Kondensatablauf

#### Kompressoren (Abb. 10)

Es wird empfohlen, das Kondensat aus dem Druckbehälter während des normalen Betriebs abzulassen. Schalten Sie den Kompressor am Netzschalter ab und senken Sie den Druck auf max. 1 bar, z. B. durch Entlüften durch das angeschlossene Gerät. Platzieren Sie den Schlauch mit dem Ablassventil in einem bereitstehenden Behälter und öffnen Sie das Ablassventil (1), um Kondensat aus dem Behälter ablaufen zu lassen.

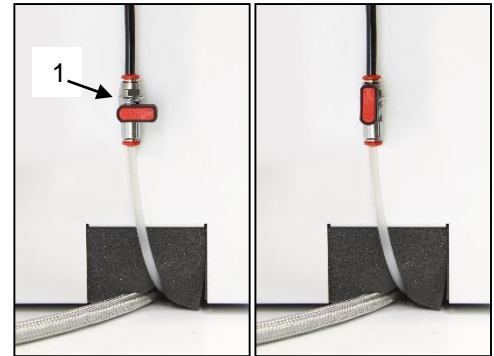


Abb. 10



**Das Ablassventil vorsichtig und langsam öffnen. Wird das Ablassventil schnell geöffnet, ist ein lautes Geräusch zu hören und das angesammelte Kondensat stürzt in einem nicht kontrollierbaren Schwall heraus.**

Kompressoren ohne Trockner können mit einem automatischen Kondensatableiter ausgestattet sein, damit das Kondensat ohne manuelle Eingriffe abfließen kann (siehe Kap. 8.2.).

#### Kompressoren mit Lufttrockner (Abb. 11)

Das Kondensat aus Kompressoren mit Lufttrocknern wird automatisch in eine Flasche abgelassen. Die Flasche muss regelmäßig entleert werden.



Abb. 11



**Überwachen Sie den Füllstand im Behälter mithilfe der 1-L- oder 2-L-Markierungen (je nach Fassungsvermögen des Behälters) und entleeren Sie den Behälter mindestens einmal täglich. Der Behälter kann überlaufen, wenn das Kondensat nicht zum festgelegten Intervall entleert wird.**



**Bei einem Behälterüberlauf besteht Rutschgefahr auf nassem Boden.**



**VOR WEITEREN KONTROLLEN SIND FOLGENDE SCHRITTE ERFORDERLICH:**

**Bei DK50-10S- und DK50-10S/M-Kompressoren mit Schrank – Gehäuse entfernen.**

**Bei dem DK50-10S/M-Kompressormodell mit 10 bar und Schrank – entfernen Sie die Abdeckung des Schanks, trennen Sie die Schrankverbindung vom Kompressoranschluss und entfernen Sie das Gehäuse.**

### 19.6. Kontrolle des Sicherheitsventils

(Abb. 12)

Wird der Kompressor erstmals in Betrieb genommen, stellen Sie sicher, dass das Sicherheitsventil korrekt funktioniert. Drehen Sie die Schraube (2) des Sicherheitsventils (1) mehrere Umdrehungen nach links, bis das Sicherheitsventil Luft ablässt. Das Sicherheitsventil nur kurz frei ausblasen lassen. Die Schraube (2) nach rechts bis zum Anschlag drehen. Das Ventil muss jetzt wieder geschlossen sein.



Abb. 12



Verwenden Sie das Sicherheitsventil niemals, um Druckluft aus dem Druckluftbehälter abzulassen. Das könnte das Sicherheitsventil beschädigen. Das Ventil ist durch den Hersteller auf den maximal zulässigen Druck voreingestellt. Justierungen sind nicht zulässig!



**ACHTUNG! DRUCKLUFT IST GEFÄHRLICH UND KANN ZU AUGENVERLETZUNGEN FÜHREN! KANN ZU AUGENVERLETZUNGEN FÜHREN.**

### 19.7. Austausch des Ansaugfilters

(Abb. 13)

- Ziehen Sie den Gummistopfen (2) mit der Hand heraus.
- Entfernen Sie den verschmutzten Ansaugfilter (1).
- Setzen Sie einen neuen Filter ein und setzen Sie den Gummistopfen wieder ein.

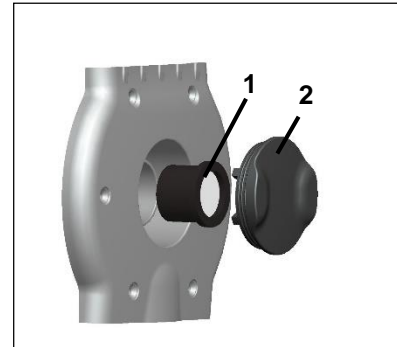


Abb. 13

### 19.8. Austausch des Filterelements

(Abb. 14)

- Entfernen Sie den Schlauch (1) von der Schnellkupplung.
- Verwenden Sie einen Schraubenschlüssel (2), um den Filterbehälter (3) zu lösen und entfernen Sie diesen.
- Ziehen Sie das Filterelement (3) zum Entfernen nach unten.
- Setzen Sie ein neues Filterelement ein.
- Bringen Sie den Filterbehälter wieder an.
- Ziehen Sie den Filterbehälter vorsichtig mit dem Schraubenschlüssel fest.
- Schließen Sie den Schlauch erneut an die Schnellkupplung an.

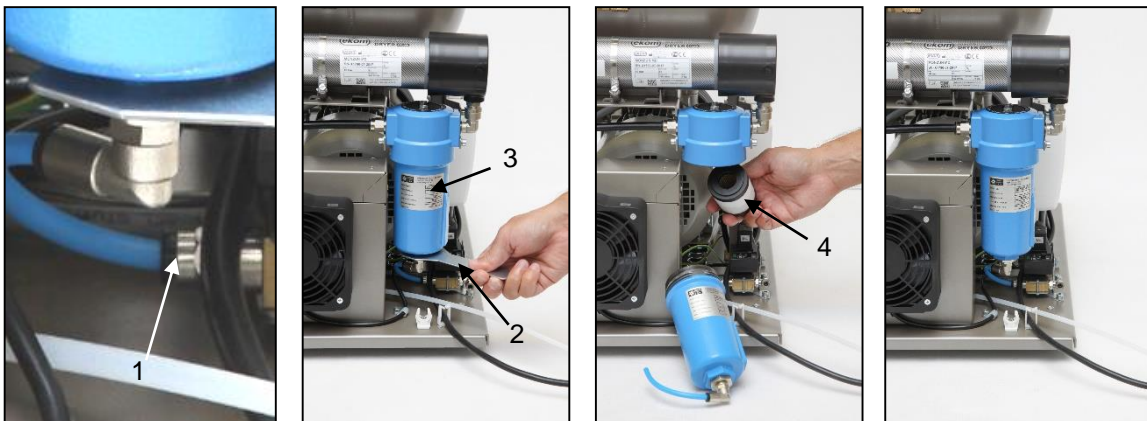


Abb. 14

### 19.9. Überprüfung von Kühler und Lüfter (Abb. 2)

Die Ausrüstung, insbesondere der Kompressorventilator, der Kühlerlüfter (21) und der Kühler (14), muss sauber gehalten werden, um eine effiziente Trocknerleistung zu gewährleisten. Entfernen Sie Staub vom Ventilator oder von den Kühlrippen und verwenden Sie hierzu einen Staubsauger oder Druckluft.

### 19.10. Vorgehensweise zum Anschließen eines vom Schaltschrank getrennten Kompressors



**Vor jeder Wartungs- oder Reparaturarbeit ist der Kompressor auszuschalten und durch Ziehen des Netzsteckers vom Stromnetz zu trennen.**

Es ist notwendig, dass bei einem Kompressor (ohne Gehäuse) der Jumper immer an die Klemmleiste montiert wird, damit der ordnungsgemäße Betrieb gewährleistet ist (Abb. 15, Pos. B). Dies ersetzt dann den Schalter am Gehäuse.



**Befindet sich kein Jumper auf der Klemmleiste des Kompressors, (vom Schaltschrank getrennt) funktioniert der Kompressor nicht!**

Löst sich das Kabel zwischen Kompressor und Gehäuse (durch Ziehen des Netzsteckers) und wird der Kompressor aus dem Gehäuse entfernt, funktioniert der Kompressor nicht mehr. Aus diesem Grund muss zunächst eine Verbindung zur Klemmleiste mit einem Jumper hergestellt werden (dies ersetzt die Funktion des Trennschalters; Abb. 15).

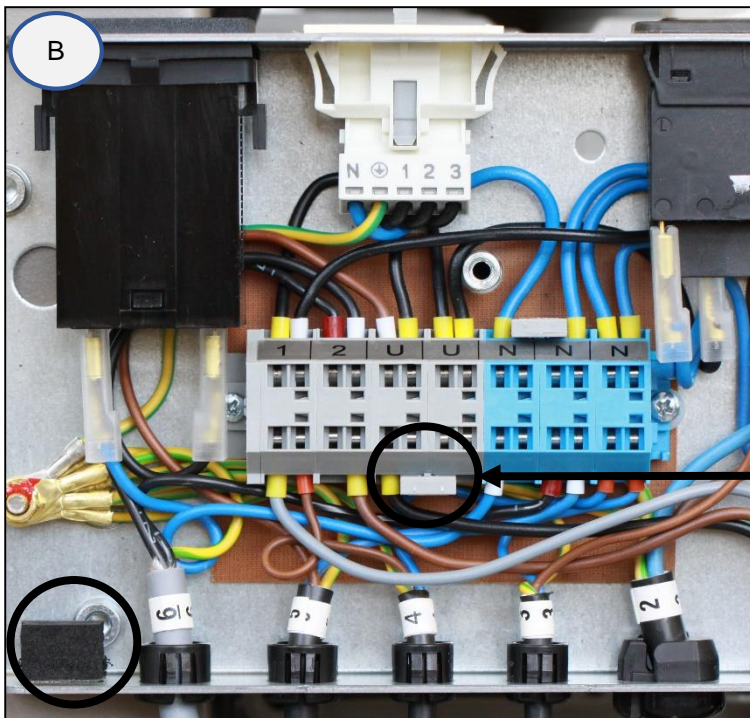
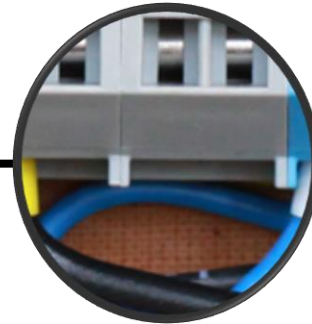
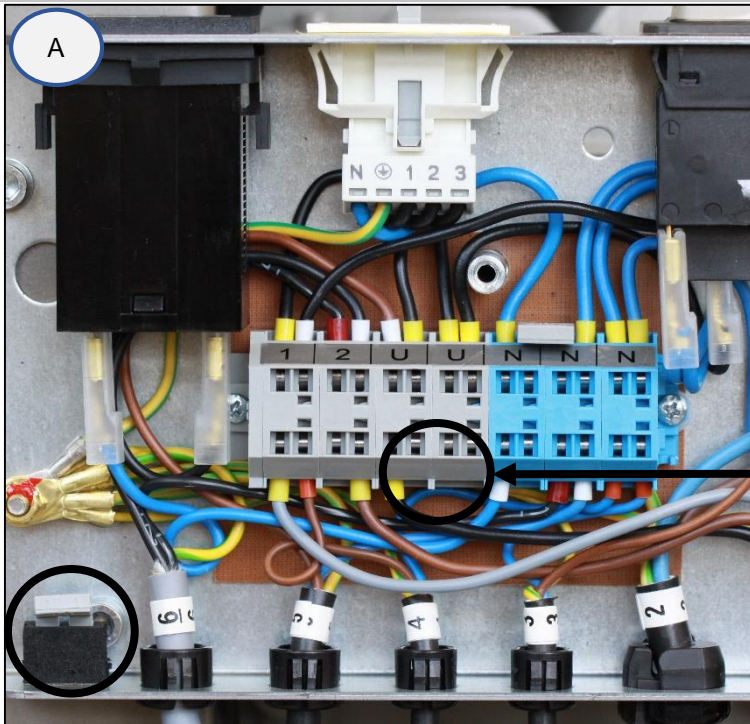
**PROZESS** (Abb. 15):

#### **Jumper-Installation** (A-B Prozess)

- Trennen Sie das Gerät vom Stromnetz, indem Sie den Stecker aus der Steckdose ziehen.
- Entfernen Sie die Abdeckung von der Schalttafel (des Kompressors).
- Der Jumper befindet sich nicht auf der Klemmleiste – A
- Setzen Sie den Jumper in die Klemmleiste ein – B
- Bringen Sie die Abdeckung der Schalttafel wieder an.
- Schließen Sie das Gerät an das Stromnetz an.
- Aktivieren Sie den Kompressor, indem Sie den Schalter auf dem Druckschalter einschalten.

Kompressor – Bei einem Betrieb außerhalb des Schaltschranks **MUSS** die elektrische Verbindung mithilfe eines Jumpers hergestellt werden (Abb. 15, Pos. B)

Abb. 15



230V

## 19.11. Vorgehensweise zum Anschließen eines Kompressors an einen neuen Schaltschrank



**Vor jeder Wartungs- oder Reparaturarbeit ist der Kompressor auszuschalten und durch Ziehen des Netzsteckers vom Stromnetz zu trennen.**

Es ist notwendig, dass bei einem Kompressor (mit Gehäuse) der Jumper nicht an die Klemmleiste montiert wird, damit der ordnungsgemäße Betrieb gewährleistet ist (Abb. 15, Pos. A). Der Schalter am Gehäuse dient dem Ein- und Ausschalten des gesamten Geräts (einschließlich des Kompressors).



**Wenn ein Jumper mit der Klemmleiste des Gehäuses verbunden ist, funktioniert der Schalter am Kompressorgehäuse nicht!**

Wenn ein neuer Schaltschrank an einen Kompressor angeschlossen werden soll, der zuvor separat gearbeitet hat (Kompressor ohne Gehäuse), muss die Verbindung auf der Klemmleiste unterbrochen werden; mehr zur konkreten Vorgehensweise erfahren Sie weiter unten Abb. 15). (Siehe auch Kap. 14.1. und 14.2.)

**PROZESS** (Abb. 15):

### Entfernen des Jumpers (B-A-Prozess)

- Trennen Sie das Gerät vom Stromnetz, indem Sie den Stecker aus der Steckdose ziehen.
- Entfernen Sie die Abdeckung von der Schalttafel (des Kompressors).
- Der Jumper befindet sich auf der Klemmleiste – B
- Entfernen Sie den Jumper von der Klemmleiste – A
- Bringen Sie die Abdeckung der Schalttafel wieder an.
- Setzen Sie den Kompressor in die Schrank ein.
- Verbinden Sie den Schaltschrank mit dem Kompressor, indem Sie den Stecker (1) des Netzkabels in die Steckdose (2) stecken. (Abb. 8)
- Schließen Sie das Gerät an das Stromnetz an.
- Aktivieren Sie den Kompressor, indem Sie den Schalter auf dem Druckschalter und den Schalter (4) am Gehäuse einschalten (Abb. 9).

Kompressor mit Gehäuse – Beim Betrieb in einem Schaltschrank **DARF KEINERLEI** elektrischer Anschluss vorhanden sein. (Abb. 15, Pos. A)

Hinweis: **Bei Verwendung eines Kompressors ohne Gehäuse oder beim Ausführen von Wartungsarbeiten müssen Jumper, die nicht an der Klemmleiste installiert sind, an einem gesonderten Ort neben der Schalttafel aufbewahrt werden.**

## 19.12. Reinigung und Desinfektion von Produktaußenflächen

Zur Reinigung und Desinfektion der Produktaußenflächen nur neutrale Mittel benutzen.



**Anwendung von Alkohol und Chlorid enthaltenden aggressiven Reinigungs- und Desinfektionsmitteln kann zur Produktoberflächenbeschädigungen und zur deren Verfärbung führen.**

### FEHLERBEHEBUNG



**VORSICHT! BEVOR SIE FORTFAHREN, VERRINGERN SIE DEN LUFTDRUCK IM DURCKLUFTBEHÄLTER AUF NULL UND TRENNEN SIE DAS GERÄT VOM STROMNETZ.**

**Das Gerät, vor allem der Kühlventilator, muss sauber gehalten werden, damit die langfristige Funktion des Kühlers gewährleistet ist. Die Kühllamellen müssen gelegentlich vom Staub befreit werden.**

Die Behebung von Fehlern darf nur durch qualifizierte Fachkräfte erfolgen.

STÖRUNGEN	MÖGLICHE URSACHE	ABHILFE
Kompressor springt nicht an	Keine Spannung am Druckschalter  Motorspule ausgefallen, beschädigter Thermischer Überlastungsschutz Kondensator defekt Festsitzen des Kolbens oder eines anderen rotierenden Teils Der Druckschalter funktioniert nicht	Überprüfen Sie die Netzspannung der Steckdose. Überprüfen des Hauptschalters – Bringen Sie den Schalter (4) auf Position „I“. (Abb. 9) Lose Klammer an der Klemmleiste anziehen – Überprüfen Sie das Stromkabel – ersetzen Sie defekte Kabel, Drehen Sie den Schalter (2) auf dem Druckschalter (1); Abb. 9. Kompressor in einem Gehäuse, der nicht über ein Kabel mit dem Schaltschrank verbunden ist – Stellen Sie eine Kabelverbindung zum Schaltschrank her (Kap. 14) Kompressor (ohne Gehäuse), der zuvor in einem Schaltschrank gearbeitet hat – Es befindet sich kein Anschluss auf der Klemmleiste (Kap. 19.10.) Motor oder Wicklungen - Kondensator wechseln - Beschädigte Teile wechseln - Funktion des Druckschalters kontrollieren
Der Gehäuseschalter schaltet den Kompressor nicht aus	Im Schaltschrank befindet sich ein Kompressor, der zuvor separat gearbeitet hat (auf der Klemmleiste des Kompressors befindet sich ein Jumper).	Entfernen Sie den Jumper von der Klemmleiste, siehe Kap. 19.11.

Kompressor schaltet sich oft an	Luftleck im Druckluftverteilungssystem Undichtiges Rückschlagventil  Größere Menge kondensierter Flüssigkeit im Druckbehälter Niedrige Kompressorleistung	Kontrolle des Druckluftverteilungssystems – undichte Verbindungen abdichten Rückschlagventil reinigen, Dichtungen austauschen, Rückschlag austauschen Kondensat ablassen, Die Zeit für das Befüllen des Druckluftbehälters kontrollieren
Niedriger Druck im Druckluftbehälter (Kompressor läuft durchgängig)	Hoher Druckluftverbrauch des Geräts, Undichtigkeit im Druckluftverteilungssystem, niedrige Geräteleistung Störung des Aggregats Störung des Trockners	Druckluftverbrauch senken Kompressor mit höherer Kapazität verwenden Pneumatiksystem überprüfen – lose Verbindungen festziehen Pumpe reinigen oder austauschen Trockner austauschen
Betrieb des Kompressors über einen längeren Zeitraum	Luftaustritt innerhalb des pneumatischen Verteilersystems Verschlissener Kolbenring Ansaugfilter ist verstopft Fehlerhaftes Magnetventil	Kontrolle des Druckluftverteilungssystems – undichte Verbindungen abdichten Verschlissenen Kolbenring ersetzen Alten Filter durch neuen Filter ersetzen Ventil oder Spule reparieren oder wechseln
Kompressor ist laut (Klopfen, Metallgeräusche)	Schäden an Kolbenlager, Kolbenstange, Motorlager Lockerer oder geborstener Dämpfelement (Feder)	Beschädigtes Lager ersetzen  Beschädigte Feder austauschen
Trockner trocknet nicht (Kondenswasser in der Luft) *	Kühlerlüfter funktioniert nicht	Lüfter austauschen Stromquelle kontrollieren
	Beschädigter Trockner	Den Trockner austauschen
	Nicht funktionierender automatischer Kondensatablauf	Reinigen/Austauschen

)\* Nach einer Störung des Trockners müssen die Innenflächen des Druckluftbehälters gründlich gereinigt und die Kondensatflüssigkeit entfernt werden.

**Prüfen Sie den Taupunkt der Luft, die aus dem Druckluftbehälter entweicht (vgl. Kapitel 7 – Technische Daten), um das angeschlossene Gerät vor Schäden zu bewahren!**

## 20. INFORMATIONEN ZU REPARATURBETRIEBEN

Garantieleistungen und Reparaturen nach Ablauf der Garantie werden durch den Hersteller, durch vom Hersteller benannte Firmen oder durch vom Hersteller autorisiertes Servicepersonal vorgenommen.

**Der Hersteller behält sich das Recht vor, ohne Vorankündigung Änderungen am Gerät vorzunehmen. Änderungen beeinträchtigen nicht die Funktionen des Geräts.**

## 21. LAGERUNG

Wenn der Kompressor über einen längeren Zeitraum nicht genutzt wird, lassen Sie das Kondensat vollständig aus dem Behälter ab. Schalten Sie anschließend den Kompressor 10 Minuten lang ein und lassen Sie das Ablassventil (1) (Abb. 9) offen. Schalten Sie den Kompressor mittels des Schalters (2) auf dem Druckschalter (1) (Abb. 8) aus, schließen Sie das Ventil für den Kondensatablass und trennen Sie das Gerät vom Stromnetz.

## 22. ENTSORGUNG DES GERÄTS

- Trennen Sie das Gerät von der Stromversorgung.
- Lassen Sie die Druckluft aus dem Druckluftbehälter durch Öffnen des Ablassventils (1) (Abb. 9)
- Entsorgen Sie das Gerät gemäß den geltenden Umweltvorschriften.
- Beauftragen Sie ein Fachunternehmen mit der Abfalltrennung und -entsorgung.
- Verschlissene Bauteile haben keine negativen Auswirkungen auf die Umwelt.

**TABLES DES MATIÈRES**

<b>INFORMATIONS IMPORTANTES .....</b>	<b>82</b>
1. CONFORMITE AUX EXIGENCES DES DIRECTIVES DE L'UNION EUROPEENNE .....	82
2. UTILISATION PRÉVUE .....	82
3. CONTRE-INDICATIONS ET EFFETS SECONDAIRES .....	82
4. AVERTISSEMENTS ET SYMBOLES .....	82
5. AVERTISSEMENTS .....	83
6. STOCKAGE ET TRANSPORT .....	85
7. DONNÉES TECHNIQUES .....	86
8. DESCRIPTION DU PRODUIT .....	92
9. FONCTIONNALITÉ DU PRODUIT .....	93
10. SCHÉMA PNEUMATIQUE .....	97
<b>INSTALLATION .....</b>	<b>98</b>
11.CONDITIONS D'EMPLOI .....	98
12.POSITIONNEMENT DU COMPRESSEUR .....	99
13.RACCORDS PNEUMATIQUES .....	100
14.BRANCHEMENTS ÉLECTRIQUES .....	100
15.SCHEMA DE RACCORDEMENT .....	102
<b>FONCTIONNEMENT .....</b>	<b>106</b>
16.MISE EN SERVICE .....	106
17.MISE SOUS TENSION DU COMPRESSEUR .....	107
18.ARRÊT DU COMPRESSEUR .....	107
<b>MAINTENANCE .....</b>	<b>108</b>
19.MAINTENANCE DE L'APPAREIL .....	108
<b>DÉPANNAGE .....</b>	<b>116</b>
20.SERVICE DE RÉPARATION .....	117
21.STOCKAGE .....	117
22.MISE AU REBUT DE L'APPAREIL .....	117
<b>ANNEXE .....</b>	<b>268</b>
23.REGISTRE D'INSTALLATION .....	270

## INFORMATIONS IMPORTANTES

### 1. CONFORMITE AUX EXIGENCES DES DIRECTIVES DE L'UNION EUROPEENNE

Ce produit satisfait aux exigences du Règlement (UE) relatif aux dispositifs médicaux (MDR 2017/745). Par ailleurs, il est sécurisé pour l'utilisation prévue, sous réserve du respect des consignes de sécurité.

### 2. UTILISATION PRÉVUE

Le compresseur est utilisé comme source d'air comprimé, propre et exempt d'huile pour alimenter des dispositifs médicaux actifs, où les paramètres et les propriétés de l'air comprimé conviennent à l'application spécifique.



**L'air comprimé fourni par le compresseur ne peut être utilisé avec les appareils artificiels de ventilation pulmonaire sans filtration supplémentaire.**

Toute utilisation non préconisée du produit est considérée comme une utilisation inappropriée. Le fabricant n'est pas responsable des dommages ou blessures résultant d'une utilisation inappropriée.

### 3. CONTRE-INDICATIONS ET EFFETS SECONDAIRES

Il n'existe aucune contre-indication, ni aucun effet secondaire répertorié.

### 4. AVERTISSEMENTS ET SYMBOLES

Les symboles suivants sont utilisés dans le manuel de l'utilisateur, sur l'appareil et son emballage pour présenter les détails et les informations importants :



Avertissements généraux



Attention



Danger, risque d'électrocution



Voir le manuel d'utilisation



Merci de bien vouloir consulter le manuel d'utilisation



Marquage CE



Dispositif médical



Numéro de série



Le compresseur est commandé automatiquement et peut se mettre en marche sans avertissement



Mise en garde ! Surface chaude



Raccordement (Mise) à la terre



Marque de manipulation sur l'emballage – FRAGILE



Marque de manipulation sur l'emballage - HAUT



Marque de manipulation sur l'emballage – TENIR AU SEC



Marque de manipulation sur l'emballage – LIMITATIONS DE TEMPÉRATURE



Marque de manipulation sur l'emballage – EMPILEMENT LIMITÉ



Marque sur l'emballage – MATÉRIAU RECYCLABLE



Fabricant

## 5. AVERTISSEMENTS

Le produit est conçu et fabriqué de sorte à ne présenter aucun danger pour l'utilisateur et son environnement lorsqu'il est utilisé de la façon prescrite. Gardez les avertissements suivants à l'esprit.

### 5.1. Avertissements généraux

LISEZ ATTENTIVEMENT LE MANUEL D'UTILISATION AVANT D'UTILISER L'APPAREIL ET CONSERVEZ-LE POUR RÉFÉRENCE ULTÉRIEURE !

- Le manuel de l'utilisateur permet l'installation, l'utilisation et la maintenance appropriées du produit. L'utilisation stricte de ce manuel vous fournira les informations nécessaires pour une utilisation correcte du produit aux fins prévues.
- Conservez l'emballage d'origine pour le retour éventuel du produit. Seul l'emballage d'origine garantit la protection adéquate de l'appareil pendant le transport. S'il est nécessaire de retourner le produit au cours de la période de garantie, le fabricant n'est nullement responsable des dommages consécutifs à l'utilisation d'un emballage inapproprié.
- La présente garantie ne couvre pas les dommages dus à l'emploi d'accessoires autres que ceux indiqués ou recommandés par le fabricant.
- Le fabricant garantit uniquement la sécurité, la fiabilité et le fonctionnement du produit, sous réserve que :
  - les installations, les nouveaux réglages, les modifications, les développements et les réparations soient confiés au fabricant ou à un organisme agréé par le fabricant ;
  - le produit soit utilisé conformément au manuel de l'utilisateur.
- Le présent manuel de l'utilisateur présente, au moment de son impression, la configuration du produit, ainsi que sa conformité avec les normes techniques et de sécurité applicables. Le

fabricant se réserve tous les droits sur la protection de sa configuration, des méthodes d'installation et des dénominations utilisées.

- La traduction du présent manuel de l'utilisateur est effectuée en conformité avec les meilleures connaissances disponibles. La version slovaque fait foi en cas d'incertitudes.
- Le présent manuel d'utilisateur tient lieu de notice originale. Sa traduction est effectuée en conformité avec les meilleures connaissances disponibles.

## 5.2. Avertissements généraux de sécurité

Le fabricant a conçu et fabriqué le produit de sorte à minimiser tous les risques lorsqu'il est utilisé correctement et aux fins envisagées. Le fabricant considère qu'il relève de sa responsabilité de décrire les mesures générales de sécurité suivantes.

- L'utilisation du produit doit respecter toutes les lois et réglementations locales en vigueur. L'opérateur et l'utilisateur sont tenus de respecter tous les règlements pertinents dans l'intérêt de l'exécution sûre de leurs travaux.
- Seule l'utilisation des pièces d'origine peut garantir la sécurité du personnel utilisateur et le fonctionnement sans faille du produit lui-même. Seuls les accessoires et pièces mentionnés dans la documentation technique ou explicitement agréés par le fabricant doivent être utilisés.
- L'opérateur doit s'assurer que l'appareil fonctionne de façon correcte et sûre avant chaque utilisation.
- L'utilisateur doit parfaitement comprendre le fonctionnement de l'appareil.
- Évitez d'utiliser le produit dans des environnements présentant un risque élevé d'explosion.
- L'utilisateur doit informer immédiatement le fournisseur de tout problème en lien direct avec l'utilisation de l'appareil.
- Tout incident grave survenu en relation avec l'appareil doit être signalé au fabricant et aux autorités compétentes de l'état membre dans lequel l'utilisateur et / ou le patient réside.

## 5.3. Avertissements de sécurité concernant la protection face au courant électrique

- L'appareil doit être uniquement branché à une prise correctement installée et mise à la terre.
- Avant de brancher le produit, assurez-vous que la tension et la fréquence indiquées sur le produit sont identiques aux valeurs du réseau électrique.
- Avant de mettre l'appareil en marche, vérifiez la présence d'éventuels dommages sur les conduites pneumatiques raccordées et sur les câbles électriques. Remplacez immédiatement les conduites pneumatiques et les câbles électriques endommagés.
- Débranchez immédiatement le produit du secteur (retirez le cordon d'alimentation de la prise) en cas de situations dangereuses ou de dysfonctionnement technique.
- Pendant les réparations et l'entretien, assurez-vous que :
  - la fiche principale n'est plus raccordée à la prise d'alimentation ;
  - la pression est purgée dans le réservoir d'air et les conduits
- Le produit doit uniquement être installé par un technicien qualifié.

## 6. STOCKAGE ET TRANSPORT

Le compresseur est expédié dans un emballage de transport depuis l'usine. Cela permet de protéger l'appareil durant le transport.



**L'emballage original du compresseur doit être utilisé pour le transport dès que cela est possible. Transportez le compresseur en position verticale et sécurisez-le à l'aide de sangles de transport.**



Pendant le transport et le stockage, protégez le compresseur contre l'humidité, la saleté et les températures extrêmes. Entrez le compresseur dans son emballage d'origine dans un environnement chaud, sec et exempt de poussière. Ne le conservez pas à proximité de produits chimiques.



Conserver, si possible, l'emballage (le conditionnement) d'origine. Dans le cas contraire, veuillez éliminer les matériaux d'emballage en respectant les règles en vigueur en matière d'environnement. Le carton de l'emballage peut être recyclé avec les produits à base de papier.



**Ne transportez le compresseur qu'après en avoir évacué tout l'air comprimé. Avant de déplacer ou de transporter le compresseur, purgez toute la pression d'air dans le réservoir et les tuyaux et vidangez le condensat du réservoir d'air.**



**Le stockage ou le transport de l'appareil dans des conditions autres que celles spécifiées ci-dessous est interdit.**

### Conditions ambiantes de stockage et de transport

Les produits ne peuvent être stockés et transportés que dans des véhicules exempts de toute trace de produits chimiques volatils dans les conditions suivantes :

<b>Température</b>	-25 °C à +55 °C, 24 h jusqu'à +70 °C
<b>Humidité relative</b>	90 % max. (sans condensation)

## 7. DONNÉES TECHNIQUES

Les compresseurs sont conçus pour des environnements intérieurs secs et ventilés présentant les conditions suivantes :

<b>Température</b>	+5 °C à +40 °C
<b>Humidité relative</b>	70 % maximum

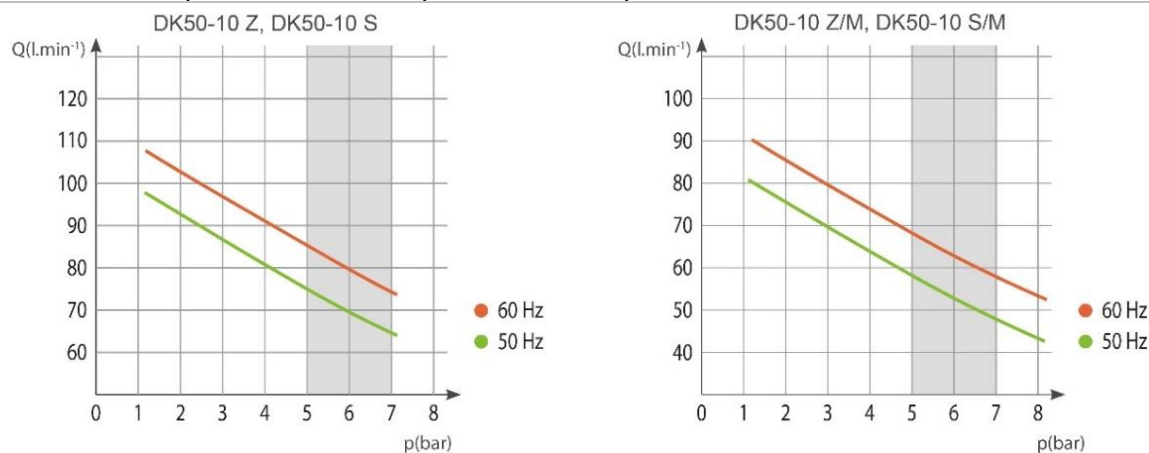
Tab.1

5 – 7 bar		DK50-10 Z		DK50-10 S		DK50-10 Z/M		DK50-10 S/M	
Tension nominale / Fréquence (*)	V / Hz	230 / 50/60	115 / 60	230 / 50/60	115 / 60	230 / 50/60	115 / 60	230 / 50/60	115 / 60
Capacité à 5 bar	Lit.min-1	75/85	85	75/85	85	58/68	68	58/68	68
Pression de travail (**)	bar	5,0 – 7,0		5,0 – 7,0		5,0 – 7,0		5,0 – 7,0	
Courant nominal	A	3,8/4,8	8,9	3,8/4,8	8,9	4,1/5,1	9,1	4,1/5,1	9,1
Puissance du moteur	kW	0,55		0,55		0,55		0,55	
Volume du réservoir d'air	Lit.	10		10		10		10	
Qualité de l'air - filtrage	µm	-		-		0,1		0,1	
Pression maximale de fonctionnement de la soupape de sûreté	bar	8,0		8,0		8,0		8,0	
Niveau de bruit à 5 bar	LpA [dB]	≤64/≤66	≤66	≤46/≤49	≤49	≤65/≤67	≤67	≤49/≤52	≤52
Mode de fonctionnement		S1-100%		S1-100%		S1-100%		S1-100%	
Performance de séchage PDP à 7 bar		-		-		≤ +3°C		≤ +3°C	
Temps de remplissage du réservoir d'air de 0 à 6 bar	s	50/44	44	50/44	44	70/60	60	70/60	60
Dimensions (nettes) L x l x h	mm	485x350x553		580x440x655		544x350x553		649x440x655	
Poids net (***)	kg	38		53		44		61	
Classification conforme à la norme EN 60601-1		Classe I.							

Remarques :

- (\*) Lors de la commande, indiquez la version du compresseur
- (\*\*) Pour toute autre plage de pression, veuillez contacter le fournisseur
- (\*\*\*) Les informations relatives au poids sont fournies uniquement à titre d'information et ne s'appliquent qu'au produit, sans accessoire aucun.

### Influence de la puissance du compresseur sur la pression de travail



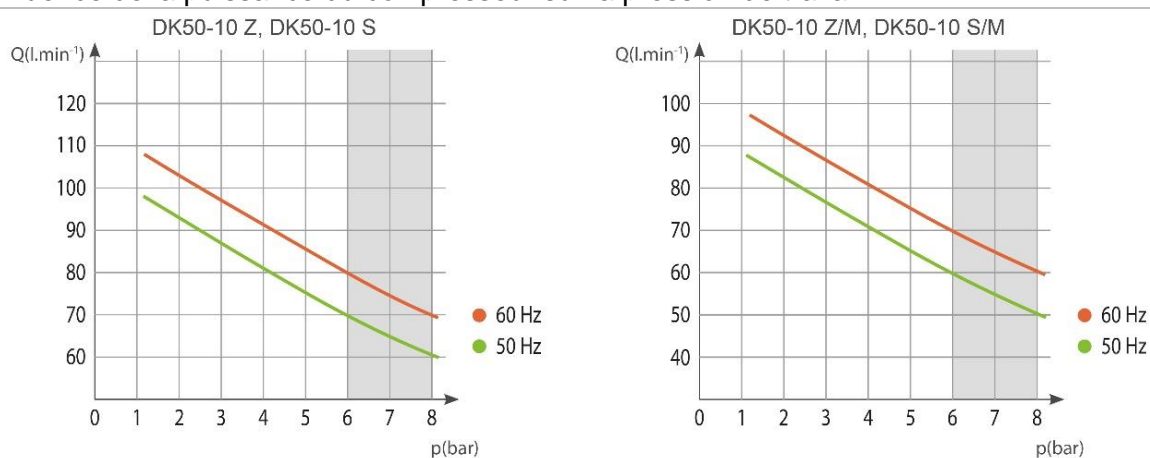
Tab. 2

6 – 8 bar		DK50-10 Z		DK50-10 S		DK50-10 Z/M		DK50-10 S/M	
Tension nominale / Fréquence (*)	V / Hz	230 / 50/60	115 / 60	230 / 50/60	115 / 60	230 / 50/60	115 / 60	230 / 50/60	115 / 60
Capacité à 6 bar	Lit.min-1	70/80	80	70/80	80	60/70	70	60/70	70
Pression de travail (**)	bar	6,0 – 8,0		6,0 – 8,0		6,0 – 8,0		6,0 – 8,0	
Courant nominal	A	3,9/4,9	9	3,9/4,9	9	4,1/5,1	9,2	4,1/5,1	9,2
Puissance du moteur	kW	0,55		0,55		0,55		0,55	
Volume du réservoir d'air	Lit.	10		10		10		10	
Qualité de l'air - filtrage	µm	-		-		0,1		0,1	
Pression maximale de fonctionnement de la soupape de sûreté	bar	12,0		12,0		12,0		12,0	
Niveau de bruit à 5 bar	LpA [dB]	≤64/≤66	≤66	≤46/≤49	≤49	≤65/≤67	≤67	≤49/≤52	≤52
Mode de fonctionnement		S1-100%		S1-100%		S1-100%		S1-100%	
Performance de séchage PDP à 7 bar		-		-		≤ +3°C		≤ +3°C	
Temps de remplissage du réservoir d'air de 0 à 7 bar	s	60/51	51	60/51	51	72/61	61	72/61	61
Dimensions (nettes) L x l x h	mm	485x350x553		580x440x655		544x350x553		649x440x655	
Poids net (***)	kg	38		53		44		61	
Classification conforme à la norme EN 60601-1		Classe I.							

Remarques :

- (\*) Lors de la commande, indiquez la version du compresseur  
 (\*\*) Pour toute autre plage de pression, veuillez contacter le fournisseur.  
 (\*\*\*) Les informations relatives au poids sont fournies uniquement à titre d'information et ne s'appliquent qu'au produit, sans accessoire aucun.

## Influence de la puissance du compresseur sur la pression de travail



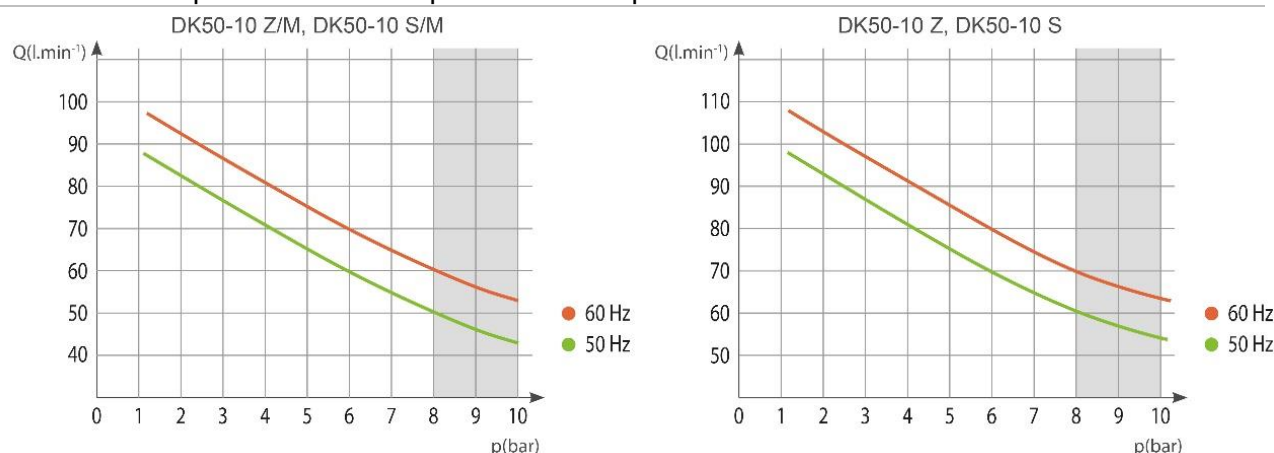
Tab. 3

8 – 10 bar		DK50-10 Z		DK50-10 S		DK50-10 Z/M		DK50-10 S/M	
Tension nominale / Fréquence (*)	V / Hz	230 / 50/60	115 / 60	230 / 50/60	115 / 60	230 / 50/60	115 / 60	230 / 50/60	115 / 60
Capacité 8 bar	Lit.min-1	60/70	70	60/70	70	50/60	60	50/60	60
Pression de travail (**)	bar	8,0 – 10,0		8,0 – 10,0		8,0 – 10,0		8,0 – 10,0	
Courant nominal	A	4,1/5,1	9,2	4,1/5,1	9,2	4,3/5,3	9,4	4,4/5,4	9,4
Puissance du moteur	kW	0,55		0,55		0,55		0,55	
Volume du réservoir d'air	Lit.	10		10		10		10	
Qualité de l'air - filtrage	µm	-		-		0,1		0,1	
Pression maximale de fonctionnement de la soupape de sûreté	bar	12,0		12,0		12,0		12,0	
Niveau de bruit à 5 bar	LpA [dB]	≤64/≤66	≤66	≤46/≤49	≤49	≤65/≤67	≤67	≤49/≤52	≤52
Mode de fonctionnement		S1-100%		S1-100%		S1-100%		S1-100%	
Performance de séchage PDP à 7 bar		-		-		≤ +3°C		≤ +3°C	
Temps de remplissage du réservoir d'air de 0 à 9 bar	s	85/75	75	85/75	75	96/82	82	96/82	82
Dimensions (nettes) L x l x h	mm	485x350x553		580x440x655		544x350x553		649x440x655	
Poids net (***)	kg	38		53		44		61	
Classification conforme à la norme EN 60601-1		Classe I.							

Remarques :

- (\*) Lors de la commande, indiquez la version du compresseur  
(\*\*) Pour toute autre plage de pression, veuillez contacter le fournisseur.  
(\*\*\*) Les informations relatives au poids sont fournies uniquement à titre d'information et ne s'appliquent qu'au produit, sans accessoire aucun.

## Influence de la puissance du compresseur sur la pression de travail



### 7.1. Correction de la distribution d'air libre (FAD) en raison de l'altitude

La capacité donnée sous forme de DAL (« Distribution d'air libre ») s'applique aux conditions suivantes :

Altitude	0 m ADNMM	Température	20 °C
Pression atmosphérique	101 325 Pa	Humidité relative	0 %

Pour calculer la capacité du compresseur DAL en fonction de l'altitude, il est nécessaire d'appliquer un facteur de correction selon le tableau suivant :


Altitude [m ADNMM]	0 - 1 500	1 501 - 2 500	2 501 – 3 500	3 501 – 4 500
Facteur de correction de la DAL	1	0,80	0,71	0,60

### 7.2. Déclaration du compatibilité électromagnétique (cem)

Le dispositif médical nécessite une précaution particulière concernant la compatibilité électromagnétique (CEM) et doivent être installés et mis en service conformément aux informations CEM fournies ci-dessous.

Directives et déclaration du fabricant - émissions électromagnétiques		
Conformément à IEC 60601-1-2:2014 - Appareils électromédicaux – Partie 1-2: Règles générales pour la sécurité de base et les performances essentielles – Norme collatérale: Perturbations électromagnétiques - Exigences et essais		
L'appareil est destiné à être utilisé dans l'environnement électromagnétique spécifié ci-dessous. Le client ou l'utilisateur de l'appareil doit s'assurer qu'il est utilisé dans un tel environnement.		
Test d'émissions	Conformité	Environnement électromagnétique - directives
Émissions RF CISPR 11	Groupe 1	L'appareil utilise l'énergie RF uniquement pour son fonctionnement interne. Par conséquent, les émissions RF sont très faibles et ne sont pas susceptibles de provoquer des interférences avec l'équipement électronique se trouvant à proximité.
Émissions RF CISPR 11	Classe B	L'appareil est adapté à une utilisation dans toutes les installations, y compris les installations résidentielles et celles directement raccordées au réseau public d'alimentation basse tension qui alimente les bâtiments utilisés à des fins résidentielles.
Émissions d'harmoniques CEI 61000-3-2	Classe A	
Variations de tension / émissions flicker CEI 61000-3-3	L'appareil ne devrait pas créer de flickers, étant donné que le débit du courant est à peu près constant après la mise en marche.	

<b>Directives et déclaration du fabricant - immunité électromagnétique</b>			
Conformément à IEC 60601-1-2:2014 - Appareils électromédicaux – Partie 1-2: Règles générales pour la sécurité de base et les performances essentielles – Norme collatérale: Perturbations électromagnétiques - Exigences et essais			
L'appareil est destiné à être utilisé dans l'environnement électromagnétique spécifié ci-dessous. Le client ou l'utilisateur de l'appareil doit s'assurer qu'il est utilisé dans un tel environnement.			
<b>Test d'immunité</b>	<b>Niveau de test CEI 60601-1-2</b>	<b>Niveau de conformité</b>	<b>Environnement électromagnétique - directives</b>
Décharge électrostatique (ESD) CEI 61000-4-2	± 8 kV contact ± 15 kV air	± 8 kV contact ± 15 kV air	Les sols doivent être en bois, béton ou carreaux de céramique. Si les sols sont recouverts d'un matériau synthétique, l'humidité relative doit être supérieure ou égale à 30 %.
Transitoires électriques rapides / en salves CEI 61000-4-4	± 2 kV pour les lignes d'alimentation ± 1 kV pour les lignes d'entrée / sortie	± 2 kV Fréquence de répétition de 100 kHz Appliqué au raccordement au réseau électrique	La qualité de l'alimentation doit être celle d'un environnement commercial ou hospitalier typique.
Surtension CEI 61000-4-5	±1 kV mode différentiel ±2 kV mode commun	±1 kV L-N ±2 kV L-PE; N-PE Appliqué au raccordement au réseau électrique	La qualité de l'alimentation doit être celle d'un environnement commercial ou hospitalier typique.
Creux de tension, courte interruption, et variations de tension sur les lignes d'entrée d'alimentation électrique CEI 60601-4-11	$U_T=0\%$ , 0,5 cycle (à 0, 45, 90, 135, 180, 225, 270 et 315°) $U_T=0\%$ , 1 cycle $U_T=70\%$ 25/30 cycles (à 0°) $U_T=0\%$ , 250/300 cycles	$U_T=>95\%$ , 0,5 cycle (à 0, 45, 90, 135, 180, 225, 270 et 315°) $U_T=>95\%$ , 1 cycle $U_T=70\%$ (30% baisse $U_T$ ), 25(50Hz)/30(60Hz) cycles (à 0°) $U_T=>95\%$ , 250(50Hz)/300(60Hz) cycle	La qualité de l'alimentation doit être celle d'un environnement commercial ou hospitalier typique. L'appareil s'arrête et redémarre automatiquement après chaque baisse. Ainsi, aucune chute de pression intolérable ne se produit.
Fréquence d'alimentation (50/60 Hz) CEI 61000-4-8	30 A/m	30 A/m	Les champs magnétiques de la fréquence d'alimentation doivent être à des niveaux caractéristiques d'un emplacement typique dans un environnement commercial ou hospitalier typique.
Remarque : $U_T$ est la tension d'alimentation avant l'application du niveau de test.			

Directives et déclaration du fabricant - immunité électromagnétique			
Conformément à IEC 60601-1-2:2014 - Appareils électromédicaux – Partie 1-2: Règles générales pour la sécurité de base et les performances essentielles – Norme collatérale: Perturbations électromagnétiques - Exigences et essais			
L'appareil est destiné à être utilisé dans l'environnement électromagnétique spécifié ci-dessous. Le client ou l'utilisateur de l'appareil doit s'assurer qu'il est utilisé dans un tel environnement.			
Test d'immunité	Niveau de test CEI 60601-1-2	Niveau de conformité	Environnement électromagnétique - directives
RF par conduction CEI 61000-4-6	3 Vrms 150 kHz à 80MHz	3 Vrms	Les appareils de communication RF portables et mobiles ne doivent pas être utilisés à une distance inférieure à la distance de séparation recommandée, calculée à partir de l'équation applicable à la fréquence de l'émetteur, de n'importe quelle partie de l'appareil, y compris les câbles.  <b>Distance de séparation recommandée</b>  $d=1,2\sqrt{P}$  $d=1,2\sqrt{P}$ , 80 MHz à 800 MHz  $d=2,3\sqrt{P}$ , 800 MHz à 2,7 GHz
RF par rayonnement CEI 61000-4-3	3 V/m 80 MHz à 2,7 GHz	3 V/m	où P est la puissance maximale de sortie de l'émetteur en watts (W) selon le fabricant de l'émetteur et d est la distance de séparation recommandée en mètres (m).
Champs de proximité des appareils de communication sans fil RF CEI 61000-4-3	9 à 28 V / m 15 fréquences spécifiques (380 à 5800 MHz)	9 à 28 V / m 15 fréquences spécifiques (380 à 5800 MHz)	Les intensités de champ des émetteurs RF fixes, telles que déterminées par une étude électromagnétique du site <sup>a</sup> , doivent être inférieures au niveau de conformité dans chaque plage de fréquences. <sup>b</sup> Des interférences peuvent se produire à proximité des équipements portant le symbole suivant :  
REMARQUE 1 : à 80 MHz et 800 MHz, la plage de fréquence la plus élevée s'applique. REMARQUE 2 : ces directives peuvent ne pas s'appliquer dans toutes les situations. La propagation électromagnétique est affectée par l'absorption et la réflexion des structures, objets et personnes.			
<sup>a</sup> Les intensités de champ des émetteurs fixes, tels que les stations de base pour téléphones radio (cellulaires / sans fil) et des radios mobiles terrestres, radios amateurs, diffusion radio AM et FM et diffusion télévisée ne peuvent pas être prédites théoriquement avec précision. Pour évaluer l'environnement électromagnétique dû à des émetteurs RF fixes, une étude électromagnétique du site doit être envisagée. Si l'intensité de champ mesurée sur le lieu où l'appareil utilisé dépasse le niveau de conformité RF applicable ci-dessus, l'appareil doit être observé pour vérifier le fonctionnement normal. Si des anomalies sont observées, des mesures supplémentaires peuvent être nécessaires, telles que la réorientation ou le déplacement de l'appareil. <sup>b</sup> Sur la plage de fréquence de 150 kHz à 80 kHz, les intensités de champ doivent être inférieures à 3 V/m.			

## 8. DESCRIPTION DU PRODUIT

### 8.1. Variantes

Les modèles de compresseur sont conçus dans les variantes suivantes :

<b>DK50-10 Z</b>	un compresseur sur support pour installation autonome dans une pièce donnée
<b>DK50-10 Z/M</b>	un compresseur sur support avec un sécheur d'air

<b>DK50-10 S</b>	un compresseur dans une armoire avec amortissement efficace de bruit pour les installations en bureau
------------------	---

<b>DK50-10 S/M</b>	un compresseur avec sécheur à membrane dans une armoire
--------------------	---



**DK50-10 Z**



**DK50-10 Z/M**



**DK50-10 S  
DK50-10 S/M**

### 8.2. Accessoires

Les accessoires non inclus dans la commande standard doivent être commandés séparément !

#### 8.2.1. Purge automatique de condensat

La purge automatique des condensats (AOK) purge automatiquement les condensats du réservoir d'air du compresseur selon un intervalle de temps prédéfini. La purge de condensat (AOK) est un accessoire indiqué pour les modèles de compresseurs sans sécheurs.

Modèle	Utilisation	Numéro d'article
AOK 10	DK50-10Z	447000001-046

#### 8.2.2. Ensemble de filtres de sortie d'air comprimé

Le compresseur peut être équipé d'un ensemble de filtres, si spécifié. L'ensemble de filtre peut être équipé d'un régulateur de pression de l'air.



**Si un autre niveau de filtration d'air est nécessaire, cette demande doit être convenue avec le fournisseur et clairement mentionnée lors de la commande.**

Modèle	Utilisation	Niveau de filtration (en $\mu\text{m}$ )	Numéro d'article
FS 20F		1	604014119-014
FS 20M	DK50-10Z	1+0,1	604014119-015
FS 20S	DK50-10Z/M	1+0,01	604014119-017
FS 20A		1+0,01+A**	604014119-018

\*\* ) A – Sous-microfiltre avec charbon actif

### 8.2.3. Ensemble régulateur de l'ensemble de filtre

Les compresseurs peuvent être équipés d'un régulateur de pression sur la sortie d'air comprimé, si spécifié. Le régulateur doit être choisi en fonction de l'ensemble de filtres ou bien séparément. Il doit assurer une pression constante au niveau de la sortie.

Modèle	Utilisation	Numéro d'article
Régulateur, complet (vers l'ensemble du filtre)	DK50-10Z, DK50-10Z/M	604014142-000
REG10 (séparé)		447000001-042

### 8.2.4. Supports d'ensemble de filtre



Un support adapté doit être commandé pour chaque ensemble de filtre.

Modèle	Utilisation	Numéro d'article
Support de montage sur compresseur	DK50-10Z, DK50-10Z/M	603002108-000
Support de montage mural		604014186-000

### 8.2.5. Unité de condensation et de filtration

Le compresseur peut être en plus équipé d'une unité de condensation et de filtration (KJF-1 ou KJFR-1). Le KJF-1 ou KJFR-1 garantit que l'air comprimé du réservoir d'air est refroidi dans le refroidisseur et le condensat est récupéré dans le filtre et séparé automatiquement du système de distribution pneumatique. L'air comprimé est filtré au même moment.

Modèle	Utilisation	Niveau de filtration / $\mu\text{m}$ /	Régulateur de pression	No d'article du kit
KJF-1	DK50-10Z	5	non	450001011-001
KJFR-1	DK50-10Z/M		oui	450001011-002

## 9. FONCTIONNALITÉ DU PRODUIT

### Compresseur (Fig. 1)

L'agrégat du compresseur (1) aspire l'air atmosphérique à travers le filtre d'entrée (8) et le comprime via le clapet anti-retour (3) vers un réservoir d'air (2) à partir duquel l'appareil aspire l'air comprimé. Si la pression dans le réservoir d'air baisse à la pression de commutation, le pressostat (4) allume le compresseur et le compresseur fournit de l'air comprimé au réservoir d'air jusqu'à ce qu'il atteigne la pression de coupure, lorsque le compresseur s'éteint. Le tuyau de pression est évacué à travers l'électrovanne de décharge (13) une fois que l'agrégat du compresseur s'éteint. La soupape de sûreté (5) empêche la montée de la pression à l'intérieur du réservoir d'air au-delà de la valeur maximale permise. La soupape de vidange (7) évacue le condensat du réservoir d'air. L'air comprimé, filtré, propre et exempt d'huile est stocké dans le réservoir d'air et prêt à l'emploi. Le condensat doit être évacué du réservoir d'air à intervalles réguliers (voir chapitre 19.1).

### Compresseur avec sécheur à membrane. (Fig. 2)

L'agrégat du compresseur (1) aspire l'air à travers un filtre d'entrée (8), le comprime et l'envoie au refroidisseur (14) à travers le filtre (15) et le clapet antiretour (3) dans le sécheur (9), puis envoie l'air propre et sec dans le réservoir d'air (2). Une partie de l'air est libérée du sécheur avec l'humidité saisie, ce qui se manifeste comme un courant d'air doux le long du corps du sécheur (9). Le condensat du filtre est automatiquement évacué à intervalles réguliers dans le collecteur via l'électrovanne de décharge de condensat (16). Le sécheur assure le séchage continu de l'air comprimé. La soupape de vidange (7) évacue le condensat du réservoir d'air lors du contrôle de la

performance de séchage. L'air comprimé, filtré, propre et exempt d'huile est stocké dans le réservoir d'air et prêt à l'emploi.

Pour assurer un fonctionnement normal du sécheur à membrane, le sécheur est raccordé directement au réservoir d'air sans l'utilisation d'un clapet anti-retour. Une petite quantité d'air (environ 0,5 bar/30 min) s'échappe à travers les fibres de membrane sélectives présentes dans le sécheur à membrane.

C'est pourquoi la pression diminue progressivement et lentement, même en l'absence de demande d'air comprimé (du réservoir d'air) ; cependant, il ne s'agit pas d'un dysfonctionnement.

Les récipients sous pression ne nécessitent pas de vidange.

### Armoire du compresseur

L'armoire insonorisée assure le capotage compact du compresseur et la circulation suffisante de l'air de refroidissement. Grâce à son design, elle peut prendre place dans le bureau d'un dentiste comme meuble. Le ventilateur sous l'agrégat d'un compresseur permet le refroidissement du compresseur et fonctionne en même temps qu'un moteur du compresseur. Après une utilisation prolongée, la température à l'intérieur de l'armoire peut monter au-delà de 40 °C, ce qui fait automatiquement démarrer le ventilateur de refroidissement. Après le refroidissement à environ 32 °C de l'armoire, le ventilateur s'arrête automatiquement.



**Assurez-vous que rien n'entrave la libre circulation de l'air en dessous et autour du compresseur. Ne couvrez jamais la sortie d'air chaud située sur la partie supérieure arrière du boîtier.**

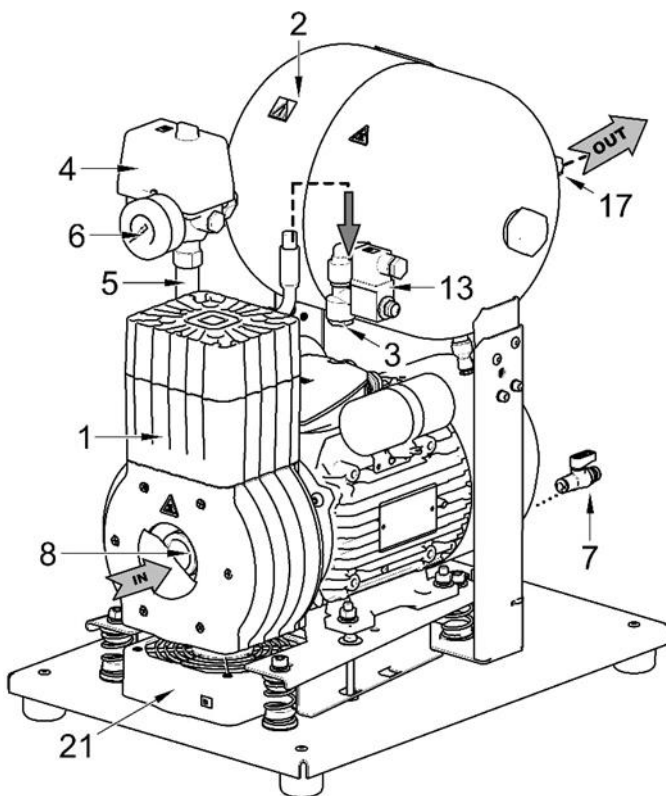


**En cas d'installation du compresseur sur un plancher mou, notamment un tapis, créez un espace vide entre la base et le plancher ou entre l'armoire et le plancher, par exemple en calant les pieds avec des supports durs.**

Les modèles de compresseur de 8 à 10 bar sont équipés d'un horomètre (Fig. 3).

Fig. 1: DK50-10Z - Compresseur

### Description des figures 1 à 3



- 1 Agrégat du compresseur
- 2 Réservoir d'air
- 3 Clapet anti-retour
- 4 Pressostat
- 5 Soupape de sûreté
- 6 Manomètre
- 7 Soupape de vidange
- 8 Filtre d'entrée
- 9 Sécheur
- 10 -
- 11 -
- 12 -
- 13 Électrovanne
- 14 Sécheur-refroidisseur
- 15 Filtre
- 16 Électrovanne de purge du condensat
- 17 Prise d'air comprimé
- 18 Commutateur du disjoncteur
- 19 Cuve
- 20 Support magnétique
- 21 Ventilateur
- 22 Commutateur
- 23 Compteur d'heures
- 24 Prise
- 25 Ventilateur de l'armoire

Fig. 2: DK50-10Z/M - Compresseur avec sécheur

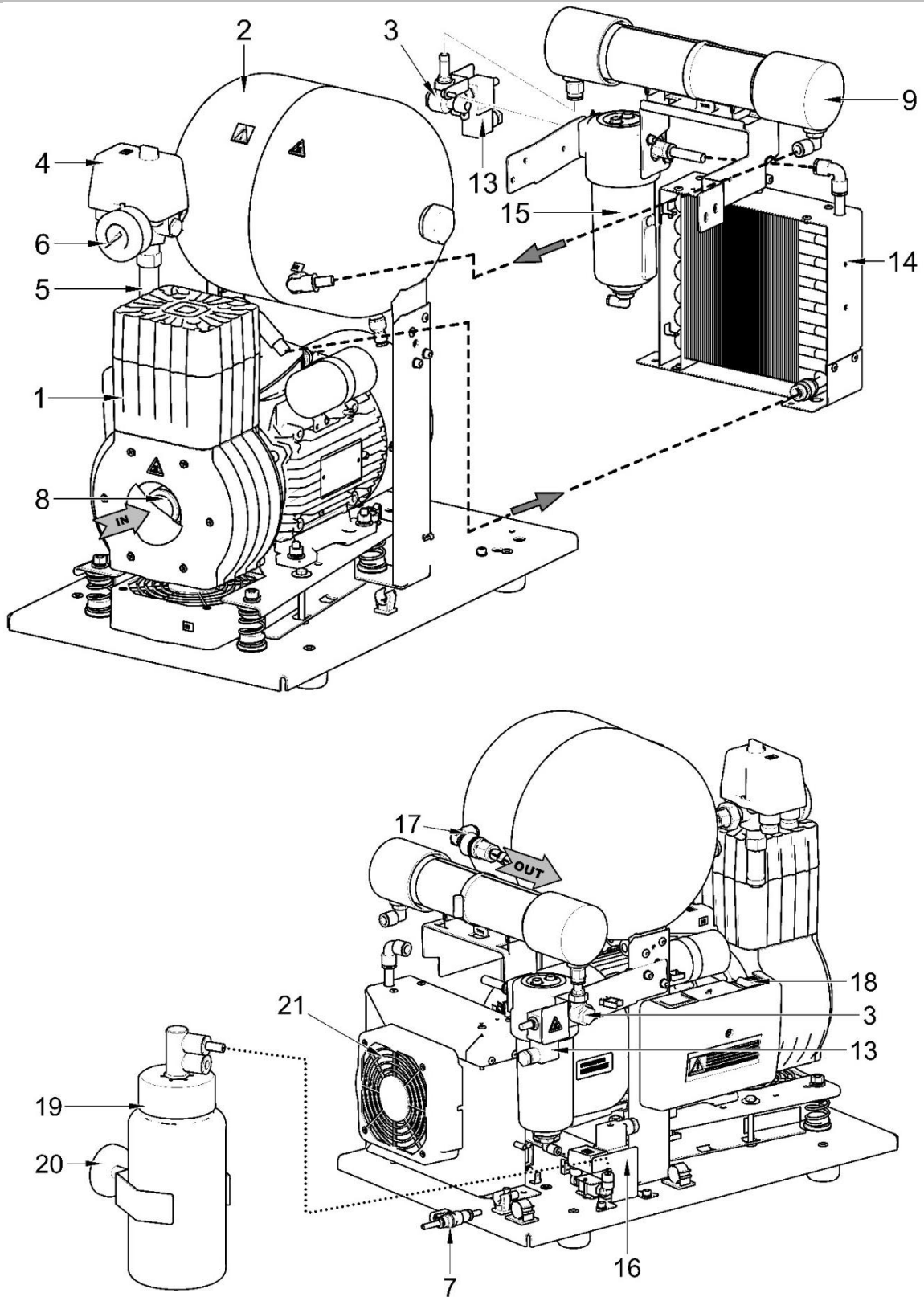
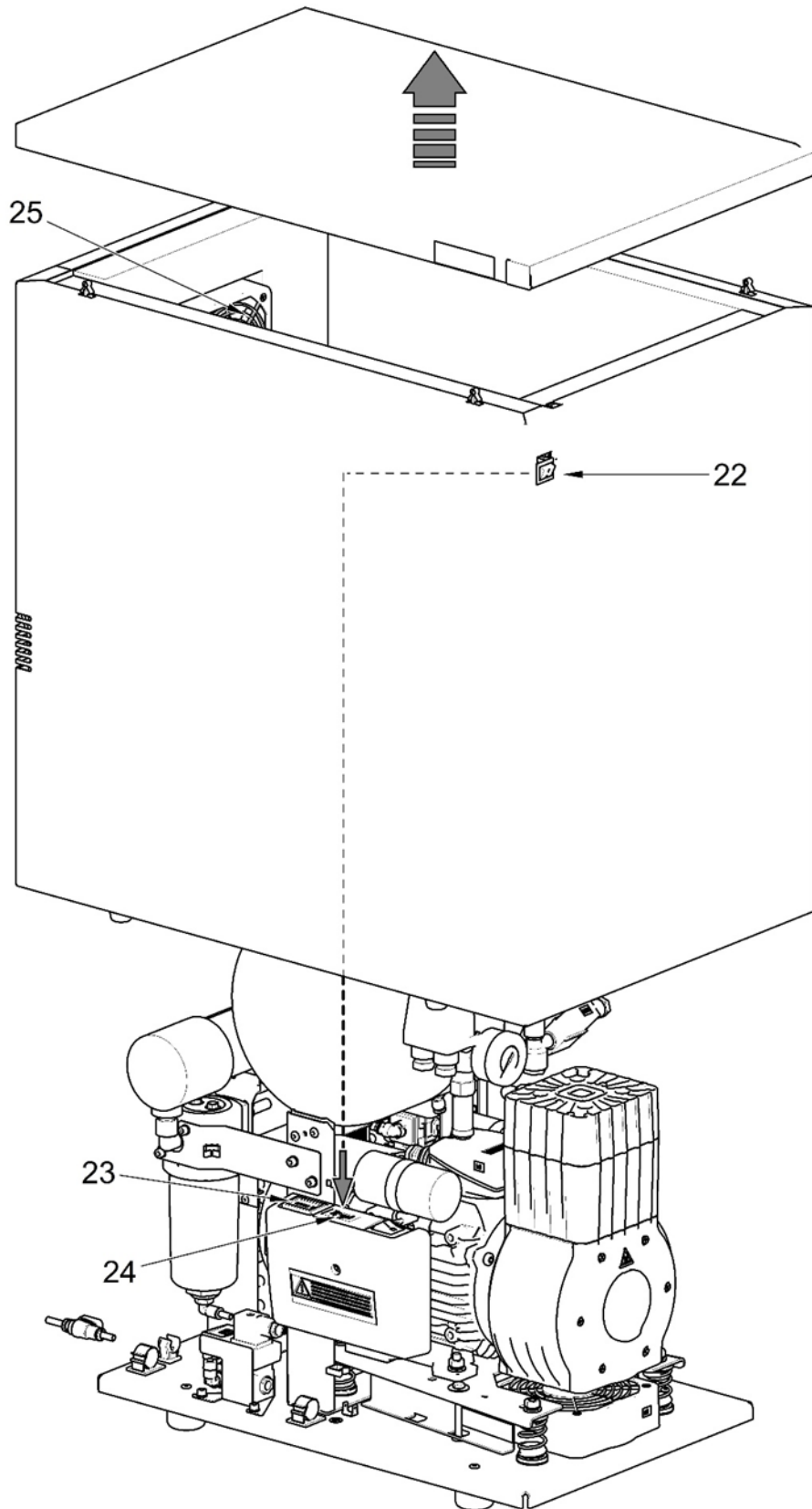
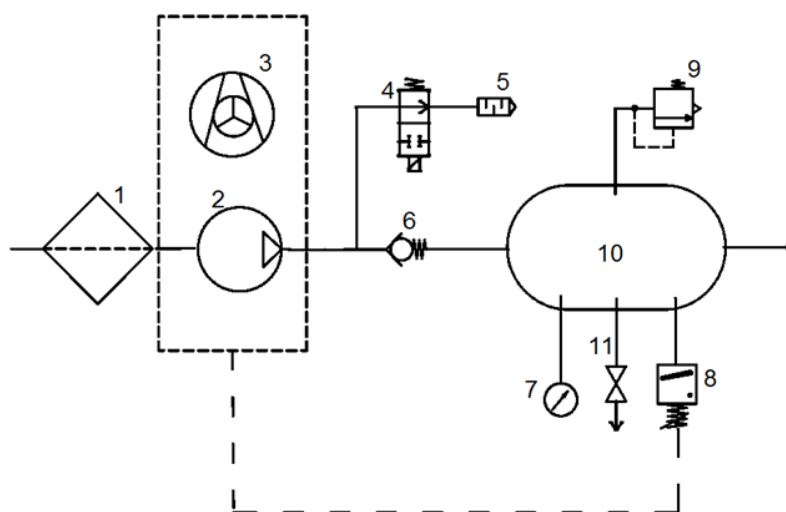


Fig. 3: Compresseur DK50-10 S/M (8-10bar)

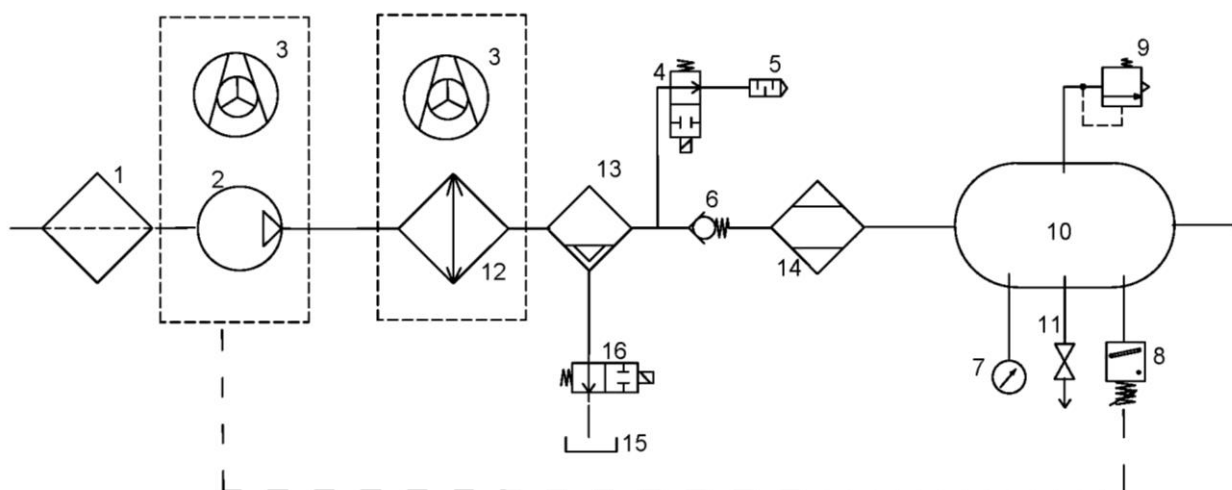


## 10. SCHÉMA PNEUMATIQUE

## DK50-10Z, DK50-10S



## DK50-10Z/M, DK50-10S/M



## Légende des schémas d'air comprimé

- |                        |                                       |
|------------------------|---------------------------------------|
| 1 Filtre d'entrée      | 9 Soupape de sûreté                   |
| 2 Compresseur          | 10 Réservoir d'air                    |
| 3 Ventilateur          | 11 Soupape de vidange                 |
| 4 Soupape de décharge  | 12 Refroidisseur                      |
| 5 Amortisseur de bruit | 13 Filtre coalescent                  |
| 6 Clapet anti-retour   | 14 Sécheur à membrane                 |
| 7 Manomètre            | 15 Cuve de collecte de condensat      |
| 8 Pressostat           | 16 Électrovanne de purge du condensat |

## INSTALLATION

### 11. CONDITIONS D'EMPLOI

- Les compresseurs doivent être installés et utilisés uniquement dans des environnements secs, bien ventilés et propres, avec des paramètres environnementaux conformes aux exigences spécifiées au chapitre 7, Caractéristiques techniques. Le compresseur doit être installé de sorte à être accessible en permanence pour être utilisé et entretenu. Veuillez vous assurer que l'étiquette sur l'appareil est facilement accessible.
- Le compresseur doit être posé sur un support plat et suffisamment stable (attention au poids du compresseur, voir chapitre 7, Caractéristiques techniques).
- Les compresseurs ne doivent pas être utilisés à l'extérieur ou dans des environnements humides. Évitez d'utiliser le compresseur en présence de gaz explosifs, de poussières ou de liquides inflammables.
- Avant de raccorder le compresseur aux installations médicales, le fournisseur doit vérifier sa conformité aux exigences relatives à son utilisation. Pour plus de détails sur ce sujet, merci de bien vouloir vous référer aux Caractéristiques techniques. La classification et l'attestation de conformité lors de l'assemblage doivent être confiées au fabricant ou au fournisseur du produit final.
- Toute autre utilisation en dehors de ce cadre n'est pas considérée comme une utilisation prévue. Le fabricant ne saurait être tenu responsable des dégâts découlant d'une telle utilisation. L'opérateur/l'utilisateur en assume la totalité des risques.



**Le compresseur doit être installé et mis en fonctionnement pour la toute première fois par un professionnel qualifié. Ce professionnel est tenu de former le personnel à l'utilisation et à la maintenance de l'appareil. Sa signature apposée au document de remise de la machine vaut attestation de bonne installation et de formation du personnel.**



**Avant l'installation, assurez-vous d'enlever tous les emballages de transport et les stabilisateurs afin de ne pas risquer d'endommager le produit.**



**Des éléments de l'agrégat peuvent chauffer et atteindre des températures dangereuses lors de l'utilisation du compresseur et tout contact avec ceux-ci peut poser un risque pour les opérateurs ou les matériaux. Risque de brûlure ou d'incendie ! Mise en garde ! Surface chaude !**



**Lorsque vous mettez l'appareil en service pour la première fois (pendant une courte période), vous pouvez percevoir une odeur de « neuf ». Cette odeur est temporaire et n'empêche pas l'utilisation normale de l'appareil. Veillez à ce que la pièce soit correctement aérée après l'installation.**

### Conditions d'utilisation ambiantes

Température : + 5 à + 40 °C

Humidité relative maximale : 70 %

Humidité absolue maximale : 15 g/m<sup>3</sup>.

## 12. POSITIONNEMENT DU COMPRESSEUR



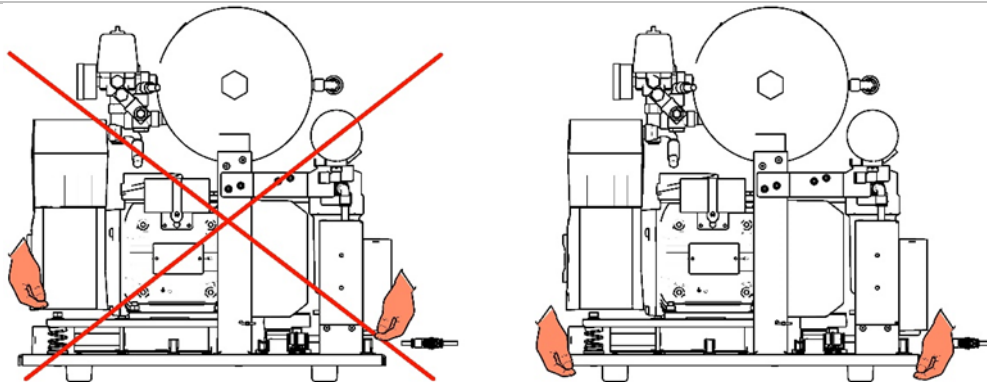
L'appareil doit uniquement être installé par un professionnel qualifié.

- Défaites l'emballage du compresseur.

### 12.1. Manipulation et libération du compresseur

- Positionnez le compresseur sur le site de fonctionnement choisi. (Fig. 4)

Fig. 4

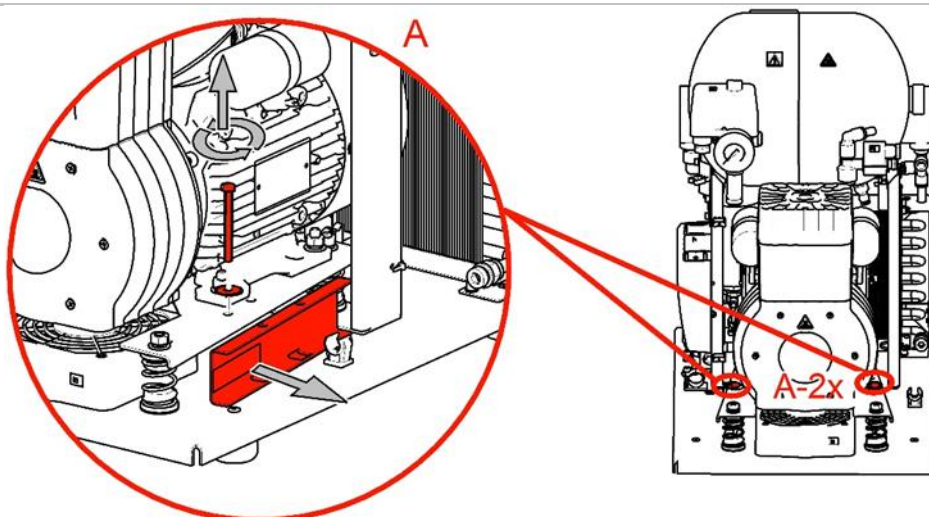


- Retirez les stabilisateurs de transport des agrégats. (Fig. 5)



Retirez tous les appareils utilisés pour fixer les agrégats du compresseur une fois que le compresseur a été installé et monté sur le dernier site d'installation !

Fig. 5



## 13. RACCORDS PNEUMATIQUES

### 13.1. Raccordement à la prise d'air comprimé (Fig. 6)

Raccordez un tuyau de pression dont une extrémité possède un raccord rapide coulissant (1) à la sortie d'air comprimé (2) du compresseur et raccordez le tuyau au système d'air comprimé ou directement à l'appareil, dans ce cas, à l'appareil dentaire.



Fig. 6



Pour les compresseurs montés en armoire, faites passer le tuyau de pression à travers l'ouverture de la paroi arrière de l'armoire. (Fig. 7)

### 13.2. Raccordement de la cuve pour condensat (Fig. 7)

- Raccordez le tuyau de vidange à la cuve du condensat sur les compresseurs avec sécheurs.
- Pour les modèles de compresseurs avec sécheur, faites passer le tuyau à travers l'ouverture de la paroi arrière de l'armoire et raccordez à la cuve.



Fig. 7

## 14. BRANCHEMENTS ÉLECTRIQUES

L'appareil est équipé d'une prise mise à la terre.



**Vérifiez la conformité de l'appareil aux codes électriques locaux. La fréquence et la tension du secteur doivent être conformes aux informations mentionnées sur l'étiquette de l'appareil.**

- Placez la prise à un endroit facilement accessible, de sorte à pouvoir débrancher l'appareil en toute sécurité en cas d'urgence.
- Le raccordement à l'armoire de distribution électrique ne doit pas dépasser 16 A.



**L'armoire des compresseurs DK50-10S/M de 10 bars est équipée d'un ventilateur de refroidissement et d'un commutateur. L'armoire doit être raccordée à l'aide du cordon à raccord fourni au raccord correspondant situé sur le panneau électrique du compresseur. (Fig. 4)**



**Assurez-vous que le câble électrique ne touche pas les composants chauds du compresseur. Risque de décharge électrique !**



**Si un cordon électrique ou un tuyau d'air est endommagé, il doit être remplacé immédiatement.**

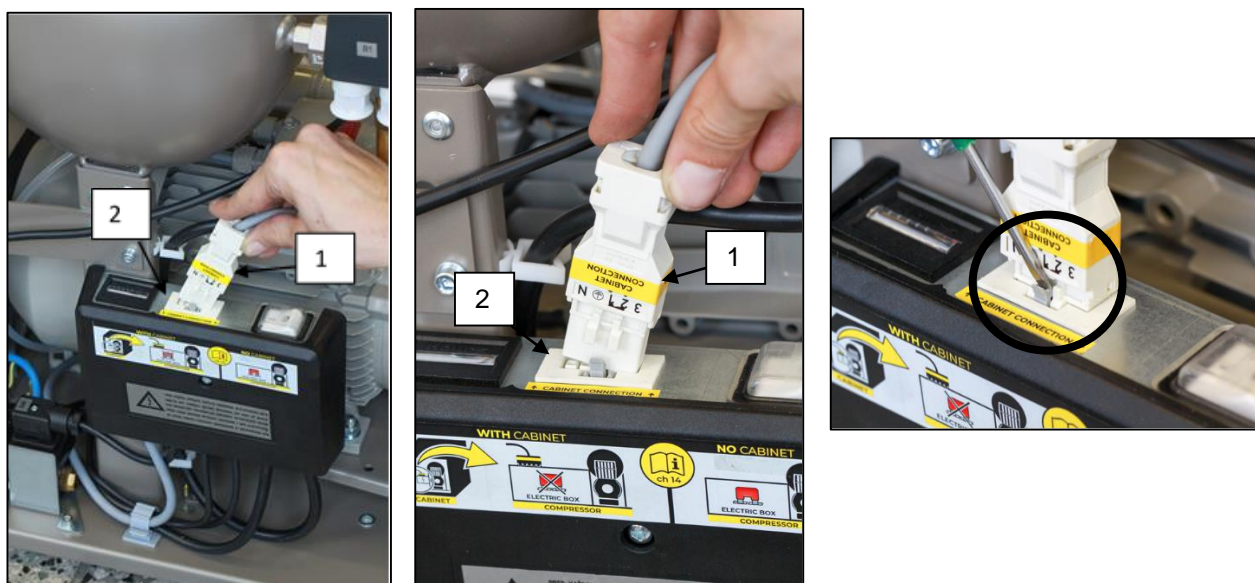
#### 14.1. Raccordement d'un compresseur non installé dans une armoire

- Branchez la fiche secteur sur une prise secteur.
- Le compresseur est prêt à être utilisé.

#### 14.2. Raccordement d'un compresseur installé dans une armoire

- Pour les modèles de compresseurs montés en armoire, faites passer la prise secteur à travers l'ouverture de la paroi arrière de l'armoire.
- Reliez électriquement le boîtier au compresseur DK50-10 S/M (8-10 bars) en branchant le cordon d'alimentation fourni avec le connecteur (1) dans une prise. (Fig. 8)
- Déconnectez électriquement le boîtier du compresseur en tirant le connecteur (1) de la prise pendant que le loquet est relâché.

Fig. 8



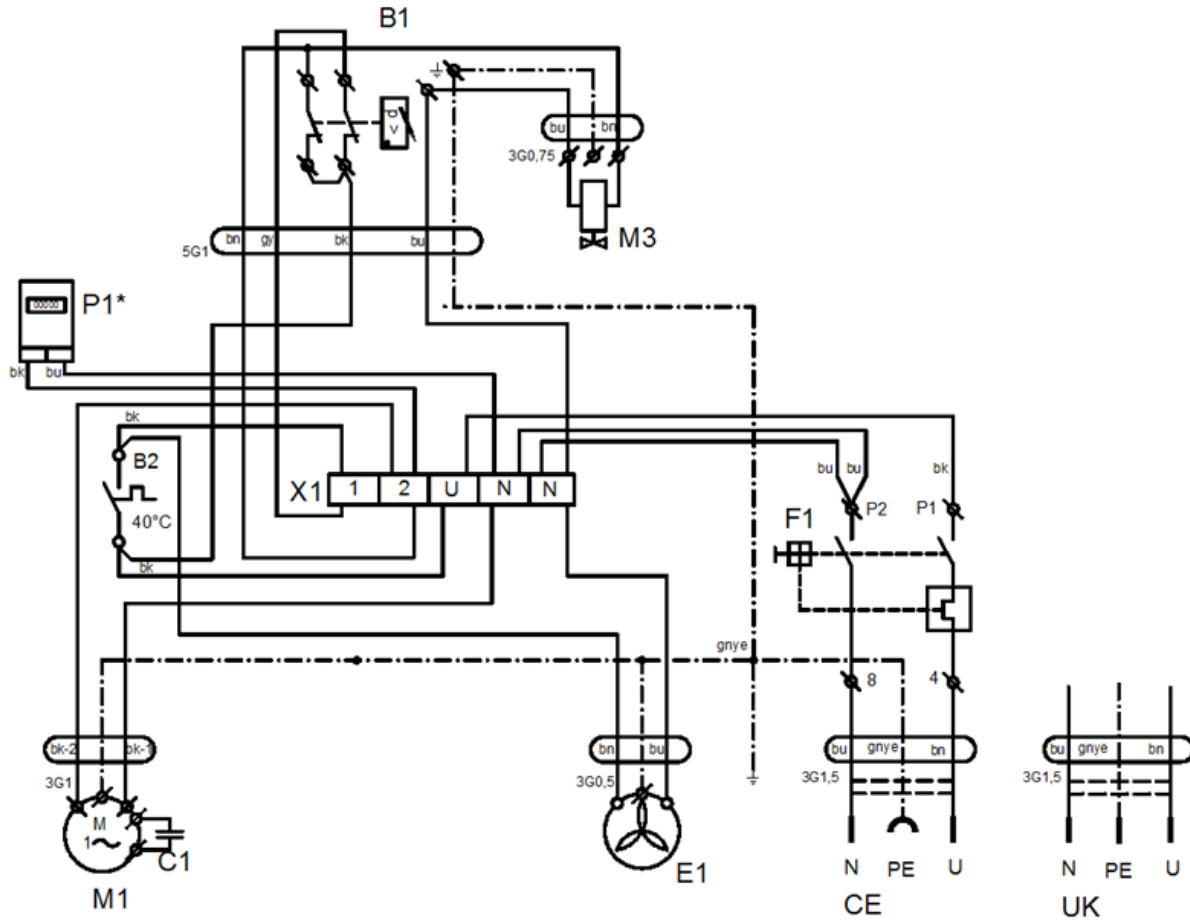
## 15. SCHEMA DE RACCORDEMENT

**DK50-10Z, DK50-10S****5 - 7 bar, 6 - 8 bar, 8 - 10 bar**

1/N/PE 230 V, 50/60 Hz

115 V, 60 Hz

OBJET ÉLECTRIQUE de 1ère CATÉGORIE



P1\* - Horomètre installé uniquement pour le modèle de compresseur 8-10 bars

## DK50-10

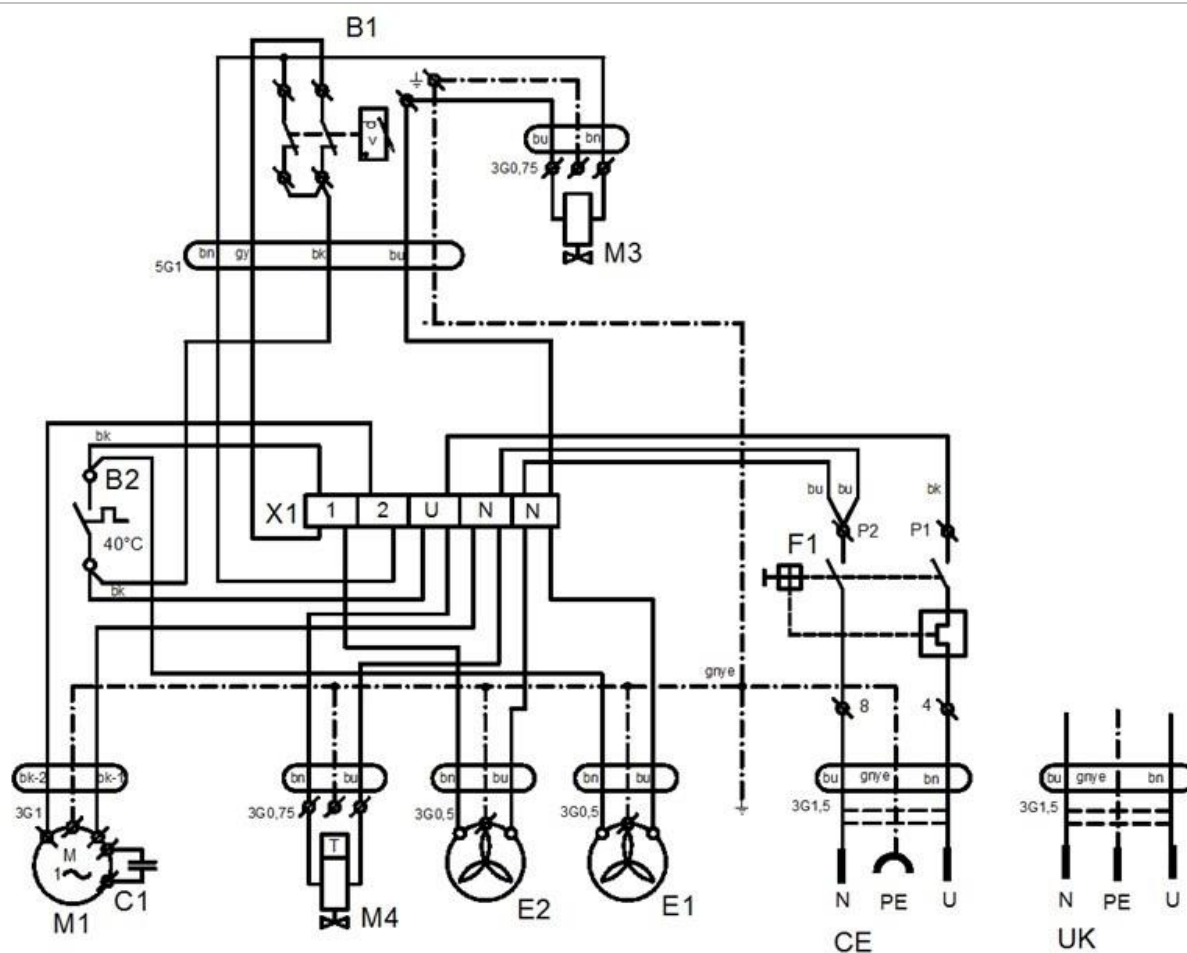
## DK50-10Z/M, DK50-10S/M

5 - 7 bar, 6 - 8 bar

1/N/PE 230V, 50/60Hz

115V, 60Hz

OBJET ÉLECTRIQUE de 1ère CATÉGORIE



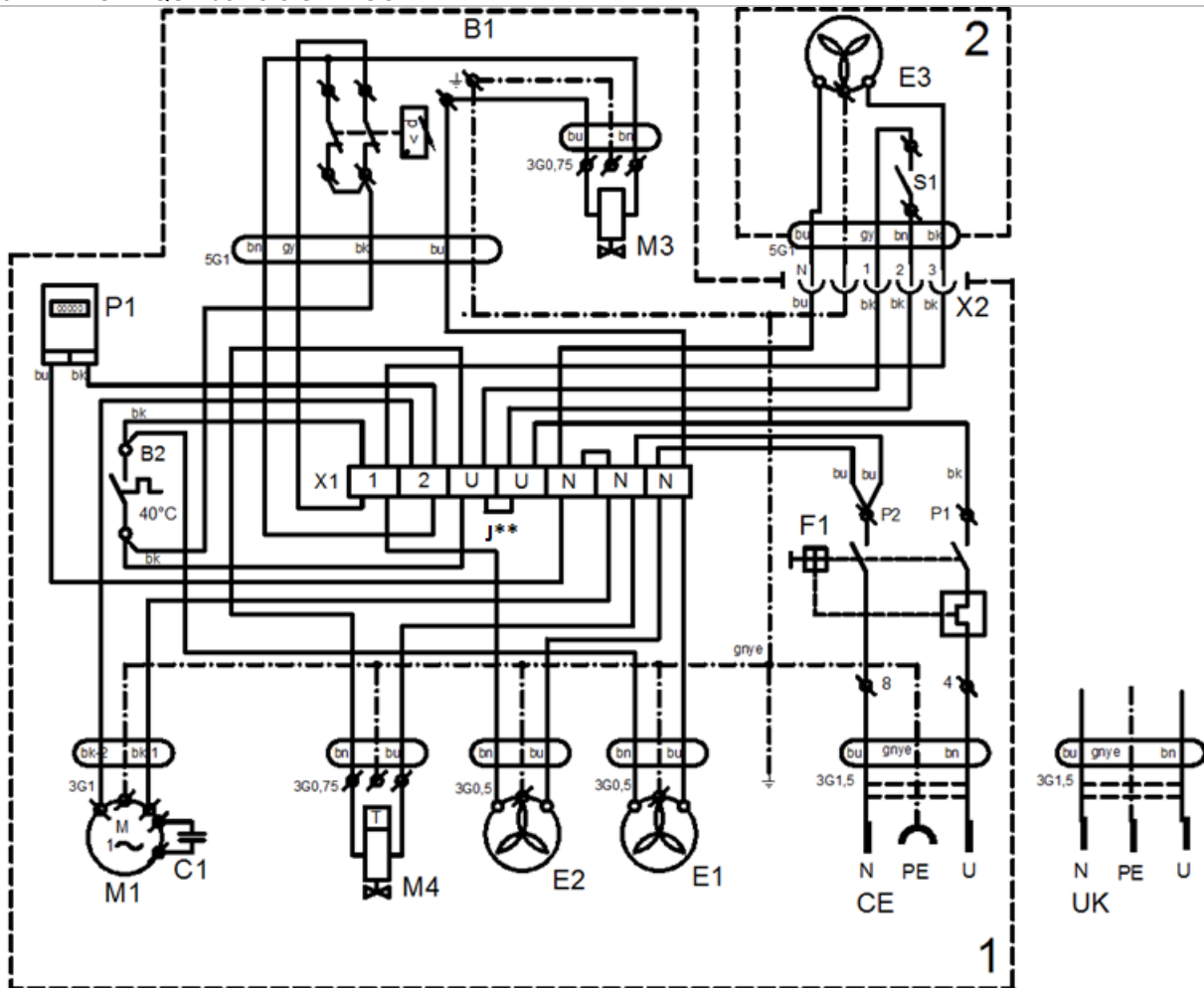
## DK50-10Z/M, DK50-10S/M

8 - 10 bar

1/N1PE 230 V, 50/60 Hz

115 V, 60 Hz

OBJET ÉLECTRIQUE de 1ère CATÉGORIE

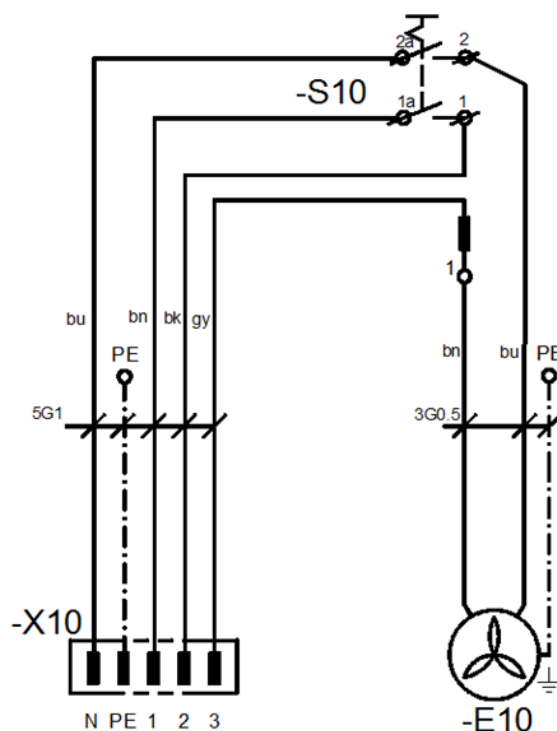


J\*\* - Connecter le cavalier uniquement pour les modèles de compresseur non installés dans des armoires (Chap. 19.10)

1- Compresseur

2- Armoire

P1\* - Horomètre installé uniquement pour le modèle de compresseur 8-10 bars



### Légende des schémas électriques

M1	Moteur du compresseur	C1	Condensateur
E1	Ventilateur du compresseur	B1	Pressostat
E2	Ventilateur du sécheur	X1	Boîte à bornes
M3	Soupape de décharge	F1	Commutateur du disjoncteur
B2	Commutateur de température	M4	Soupape de vidange du condensat
E3, E10	Ventilateur de l'armoire	P1	Horomètre
X10, X2	Raccord	S10	Commutateur

## FONCTIONNEMENT



**LA COMMANDE DE L'APPAREIL NE PEUT ÊTRE CONFIEE QU'AU PERSONNEL DÛMENT FORMÉ!**



**EN CAS D'URGENCE, DÉBRANCHEZ LE COMPRESSEUR DU SECTEUR (DÉBRANCHEZ LA FICHE SECTEUR).**



**L'UNITÉ DU COMPRESSEUR COMPORTE DES SURFACES CHAUDES EN CAS DE CONTACT AVEC CES SURFACES, DES BRÛLURES OU UN INCENDIE PEUVENT SURVENIR.**



**En cas d'utilisation prolongée du compresseur, la température dans l'armoire peut dépasser 40 °C. Le ventilateur de refroidissement se met alors automatiquement en marche. Après avoir refroidi l'espace intérieur à moins de 32 °C, le ventilateur s'arrête.**



**Démarrage automatique : lorsque la pression dans le réservoir baisse et s'approche de la limite inférieure du pressostat, le compresseur se met automatiquement en marche. Le compresseur s'arrête automatiquement lorsque la pression dans le réservoir d'air atteint le niveau de pression d'arrêt.**



**Les réglages de la pression de travail du pressostat effectués par le fabricant ne peuvent pas être modifiés. L'utilisation du compresseur à une pression de service inférieure au niveau de pression de mise en marche indique une consommation d'air élevée (voir chapitre Dysfonctionnements).**



**Pour obtenir des performances de séchage optimales, vous devez absolument respecter les conditions d'utilisation indiquées !**



**Lorsque le sécheur fonctionne à une pression inférieure à la pression de travail minimum, les performances de séchage et le point de rosée atteints diminuent !**



**SI LE SÉCHEUR EST UTILISÉ À UNE TEMPÉRATURE AMBIANTE SUPÉRIEURE À LA TEMPÉRATURE DE FONCTIONNEMENT MAXIMALE, IL PEUT ÊTRE ENDOMMAGÉ !**

## 16. MISE EN SERVICE

- Assurez-vous de retirer les stabilisateurs de transport.
- Vérifiez que tous les raccords de conduite d'air comprimé sont bien fixés.
- Vérifiez que le compresseur est correctement alimenté.
- Vérifiez que le commutateur du disjoncteur est sur la position « I ». S'il est sur la position « 0 », tournez le commutateur (4) du disjoncteur sur la position « I ». (Fig. 9)
- Vérifiez que l'armoire du compresseur DK50-10S/M (modèles 8-10 bars uniquement) est connectée au compresseur à l'aide du câble avec le raccord. (Fig. 8)
- Pour les compresseurs DK50-10 S/M (8-10 bars), tournez le commutateur (5) situé sur la face avant de l'armoire sur la position « I » ; un voyant vert indique que l'appareil est en marche. (Fig. 9)



**Le compresseur n'est pas doté d'une alimentation électrique de secours.**

## 17. MISE SOUS TENSION DU COMPRESSEUR

(Fig. 9)

Démarrez le compresseur (sans armoire) au niveau du pressostat (1) en plaçant le sélecteur (2) sur la position « I ». Le compresseur démarre et remplit le réservoir jusqu'à la pression d'arrêt, ce qui arrête ensuite le compresseur.

Démarrez le compresseur DK50-10 S/M (8-10 bars) (avec armoire) au niveau du commutateur (5) à l'avant de l'armoire ; le voyant s'allume en vert. Cette opération démarre le compresseur et remplit le réservoir jusqu'à la pression d'arrêt, ce qui arrête ensuite le compresseur.

Le compresseur fonctionne en mode automatique et le pressostat commande sa mise en marche et son arrêt en fonction de la consommation d'air comprimé.

Vérifiez les valeurs de la pression de mise en marche et d'arrêt à l'aide du manomètre (3). Une tolérance de  $\pm 10\%$  est acceptable. La pression du réservoir d'air ne doit pas dépasser la pression de fonctionnement autorisée.

Fig. 9



DK50-10S/M 8-10bar



**Il est interdit de régler la plage de pression du pressostat du compresseur. Le pressostat (1) a été réglé par le fabricant et les modifications de ses paramètres peuvent uniquement être effectuées par un technicien qualifié.**

**Compresseur** – lors de la première mise en service, le compresseur remplit le réservoir d'air jusqu'à ce que la pression de commutation et le pressostat arrêtent le compresseur. Le compresseur fonctionne en mode automatique et le pressostat commande sa mise en marche et son arrêt en fonction de la consommation d'air comprimé.

**Compresseur avec sécheur** – le compresseur fonctionne de la même manière que ci-dessus, seul l'air comprimé passe à travers un refroidisseur pour éliminer l'humidité de l'air comprimé.

## 18. ARRÊT DU COMPRESSEUR

(Fig. 9)

L'arrêt du compresseur pour entretien ou pour toute autre raison s'effectue à partir du commutateur d'alternance (1) en tournant le sélecteur (2) sur la position « 0 » et **en débranchant la fiche secteur de la prise**. Cette opération permet de mettre le compresseur hors tension. Purgez à zéro la pression dans le réservoir d'air en ouvrant la soupape de vidange. (Fig. 10)

## MAINTENANCE

### 19. MAINTENANCE DE L'APPAREIL

#### Avertissement !

L'opérateur doit s'assurer que des tests répétés de l'appareil sont effectués au moins une fois tous les 24 mois (EN 62353) ou à des intervalles définis par les réglementations nationales applicables. Un procès-verbal des résultats de ces tests doit être rempli (par ex., conformément à la norme EN 62353, annexe G) avec les méthodes de mesure.

L'appareil a été conçu et fabriqué de manière à réduire au minimum l'entretien. Vous devez effectuer les travaux suivants pour préserver le fonctionnement correct et fiable du compresseur.



**Avant le début des travaux d'entretien du compresseur, vous devez vérifier que le compresseur est déconnecté de l'appareil pour vous assurer que la personne qui utilise l'appareil n'est pas en danger et qu'il n'existe aucun risque de dommages matériels !**



**Les composants (tête, cylindre, tuyau de pression, etc.) sont très chauds pendant et peu après le fonctionnement du compresseur - évitez de les toucher!**



**Les travaux de réparation, dépassant le cadre d'un entretien ordinaire, ne peuvent être effectués que par un technicien qualifié ou par le service client du fabricant. Utilisez uniquement les pièces de rechange et les accessoires agréés par le fabricant.**



**PROTÉGEZ VOS YEUX ! PORTEZ DES LUNETTES DE PROTECTION LORSQUE VOUS ÉVACUEZ L'AIR COMPRIMÉ DU CIRCUIT D'AIR COMPRIMÉ (RÉSERVOIR D'AIR).**

**Les compresseurs de 8 à 10 bar sont équipés d'un compteur d'heure. (Fig.3)**

Les travaux ci-après doivent uniquement être effectués par un membre du personnel qualifié :



**AVANT DE COMMENCER DES TRAVAUX DE MAINTENANCE, DÉBRANCHEZ D'ABORD LE COMPRESSEUR DU SECTEUR (DÉBRANCHEZ LA PRISE) ET ÉVACUEZ L'AIR COMPRIMÉ DU RÉSERVOIR D'AIR.**



**Laissez l'appareil refroidir avant de procéder à des opérations de maintenance, d'entretien ou de brancher/débrancher l'alimentation en air comprimé.**



**Si le câble de mise à la terre a été débranché durant des travaux d'entretien, rebranchez-le sur son emplacement initial à la fin des travaux.**

Pour tout travail d'entretien ou de réparation, le compresseur peut être retiré de l'armoire par un mouvement de traction (sur des roulettes autant que le permet la longueur du câble entre le compresseur et l'armoire). Consultez également les chap. 19). Les travaux de maintenance ou de réparation requis peuvent ensuite être effectués.

Si le cordon entre le compresseur et l'armoire est débranché (en tirant sur la prise secteur, chap. 14.2.), le compresseur ne fonctionnera pas. Pour remettre le compresseur en marche, veuillez suivre les chap. 14.2., 19.10. ou 19.11.

## 19.1. Intervalles de maintenance

Intervalles de temps <sup>c)</sup>	50 Hz	60 Hz	une fois par jour	une fois par semaine	une fois par an	une fois tous les 2 ans	2000 heures	4000 heures	6000 heures	8000 heures	10000 heures	12000 heures	Chapitre	Nomenclature	Intervalle de temps
Vérifications opérationnelles de l'appareil			x										19.2	-	utilisateur
Purgez le condensat du réservoir d'air comprimé - À humidité relative élevée) <sup>b)</sup> - Videz le condensat du bac de récupération) <sup>d)</sup>			x										19.5	-	utilisateur
Purgez le condensat du réservoir d'air comprimé <sup>b)</sup> - À humidité relative normale)			x										19.5	-	utilisateur
Vérification du fonctionnement de l'appareil				x									9	-	utilisateur
Contrôle des fuites au niveau des branchements et inspection de l'appareil					x								19.3	-	professionnel qualifié
Inspection des branchements électriques					x								19.4	-	professionnel qualifié
Contrôle du refroidisseur et du ventilateur					x								19.9	-	professionnel qualifié
Remplacement de l'élément filtrant du filtre du sécheur					x								19.8	025200304-000	professionnel qualifié
Contrôle de la soupape de sûreté					x								19.6	-	professionnel qualifié
Remplacement du filtre d'entrée sur l'agrégat <sup>a)</sup>						x				x			19.7	025200126-000	professionnel qualifié
Réalisation des « tests répétés » conformément à la norme EN 62353						x							19.		professionnel qualifié

a) les données sont présentées en heures ; si ce n'est pas possible, il s'agit alors d'années

b) seulement pour les compresseurs sans sécheur

c) Pour les modèles de compresseur 60 Hz, réduisez l'intervalle de temps en heures de 20 % (2000h./1600h., 4000h./3200h., 6000h./4800h., 8000h./6400h., 10000h./8000h., 12000h./9600h.)

d) uniquement pour les compresseurs avec sécheur

## 19.2. Contrôles opérationnels

- Contrôle de l'état de l'agrégat - les agrégats doivent fonctionner normalement sans vibrations ou bruits excessifs. Réglez tout problème ou contactez le personnel d'entretien si vous en détectez un.
- Contrôle visuel du fonctionnement du ventilateur - assurez-vous que les ventilateurs sont en marche lors du fonctionnement des agrégats. Réglez tout problème ou contactez le personnel d'entretien si vous en détectez un.
- Vérifiez que le câble d'alimentation et les flexibles pneumatiques ne sont pas endommagés. Remplacez les composants endommagés ou contactez le personnel d'entretien.
- Contrôle de la température ambiante - la température ambiante doit être inférieure à la limite de température (40 °C). Refroidissez l'espace si la température est élevée.
- Sur les compresseurs avec sécheur - ouvrez le bouchon de la bouteille de collecte du condensat pour purger le condensat.

## 19.3. Contrôle des fuites au niveau des raccords pneumatiques et inspection de l'appareil

### Contrôle des fuites :

- Avec le compresseur en marche, contrôlez les fuites au niveau des raccords pneumatiques - pressurisation.
- Utilisez un analyseur de fuites ou de l'eau savonneuse pour vérifier la présence de fuites sur tous les joints et raccords. Resserrez ou refermez les branchements où des fuites sont présentes.

### Inspection de l'appareil :

- Vérifiez l'état de fonctionnement normal et les niveaux sonores de l'agrégat du compresseur.
- Contrôle du fonctionnement du ventilateur - les ventilateurs doivent fonctionner pendant les cycles de travail définis du compresseur.
- Contrôle du fonctionnement du commutateur de température (B2) - chauffez le commutateur de température à une température supérieure à 40 °C (p. ex. à l'aide d'un pistolet thermique, en évitant de tordre les pièces en plastique à proximité). Le ventilateur EV1 (et EV2 pour un compresseur avec sécheur) démarre dès que la température atteint 40 °C tant que l'alimentation est connectée au compresseur.
- Vérification de l'état du filtre - les filtres doivent être intacts et suffisamment propres.
- Vérifiez l'état de l'agrégat lui-même - assurez-vous qu'aucune contamination ne se produise à l'intérieur du carter ou qu'aucun jeu du vilebrequin n'est présent.
- Remplacez les pièces défectueuses au besoin.

## 19.4. Inspection des branchements électriques



**Vérifiez tous les branchements électriques de l'appareil lorsque le secteur est débranché !**

### Inspection

- Vérifiez la fonction mécanique du commutateur principal.
- Vérifiez que le câble d'alimentation et les câbles connectés ne sont pas endommagés.
- Inspectez visuellement le branchement de chaque câble de la barrette de fixation.
- Inspectez toutes les bornes à vis du conducteur de protection PE mis à la terre vert et jaune.

### 19.5. Purge de condensat

#### Compresseurs (Fig. 10)

Il est recommandé d'évacuer le condensat du récipient sous pression lors du fonctionnement régulier. Arrêtez le compresseur à partir du secteur et réduisez la pression jusqu'à 1 bar minimum, par exemple en évacuant de l'air à travers l'appareil raccordé. Placez le tuyau avec la soupape de vidange dans un récipient préparé en avance, vidangez le condensat du réservoir en ouvrant la soupape de vidange (1).

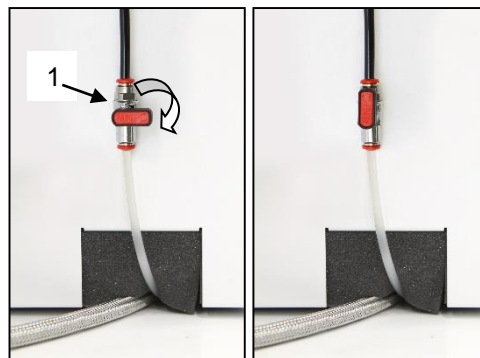


Fig. 10



**Ouvrez la soupape de vidange lentement et avec prudence. L'ouverture trop rapide de la soupape de vidange a pour conséquence un grand bruit et un déversement incontrôlé du condensat accumulé.**

Les compresseurs non dotés d'un sécheur peuvent être équipés du dispositif de vidange automatique du condensat pour permettre au condensat de s'écouler sans intervention de l'opérateur (voir chap. 8.2).

#### Compresseurs avec sécheur d'air (Fig. 11)

Le condensat des compresseurs avec sécheur d'air est automatiquement évacué dans une bouteille de collecte. La bouteille doit être vidangée régulièrement.



Fig. 11



**Surveillez le niveau de la cuve à l'aide des marques de 1 ou 2 litres (en fonction du volume de la cuve), et videz-la au moins une fois par jour. La cuve peut déborder si le condensat n'est pas évacué hors du récipient à l'intervalle défini.**



**Risque de glissement sur un plancher mouillé en cas de débordement de la cuve.**



**LES OPÉRATIONS SUIVANTES SONT OBLIGATOIRES AVANT TOUTE VÉRIFICATION DE SUIVI :**

**Pour les compresseurs DK50-10S et DK50-10S/M avec armoire, retirez/ soulevez le boîtier. Pour les compresseurs DK50-10S/M de 10 bar avec armoire - retirez le couvercle de l'armoire, débranchez le raccord de l'armoire du raccord du compresseur et retirez/soulevez le boîtier.**

### 19.6. Contrôle de la soupape de sûreté

(Fig. 12)

Lors de la mise en service du compresseur, assurez-vous du bon fonctionnement de la soupape de sûreté. Tournez la vis (2) de la soupape de sûreté (1) plusieurs fois à gauche jusqu'à ce que l'air s'échappe de la soupape de sûreté. Ne laissez l'air s'échapper qu'un court instant. Tournez la vis (2) vers la droite jusqu'à la butée pour fermer la soupape.



Fig. 12



La soupape de sûreté ne doit pas être utilisée pour évacuer la pression du réservoir d'air. Cela pourrait endommager la soupape de sûreté. La vanne est réglée à la pression maximale autorisée par le fabricant. Il est interdit de modifier ces réglages !



**AVERTISSEMENT ! L'AIR COMPRIMÉ EST DANGEREUX EN RAISON DU RISQUE DE LÉSIONS OCULAIRES ! RISQUE DE DOMMAGES AUX YEUX.**

### 19.7. Remplacement du filtre d'entrée

(Fig. 13)

- Tirez le bouchon en caoutchouc (2) à la main.
- Retirez le filtre d'entrée encrassé (1).
- Insérez un nouveau filtre et refermez le bouchon en caoutchouc.

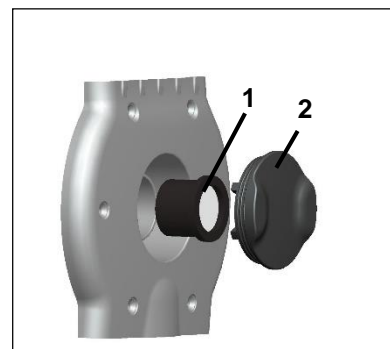


Fig. 13

### 19.8. Remplacement de l'élément filtrant

(Fig. 14)

- Retirez le tuyau (1) du raccord rapide.
- À l'aide d'une clé (2), desserrez le corps de filtre (3) et retirez-le.
- Tirez l'élément filtrant (4) vers le bas pour le retirer.
- Insérez un nouvel élément filtrant.
- Réinstallez le corps de filtre.
- Serrez doucement le corps de filtre à l'aide d'une clé.
- Réinstallez le tuyau sur le raccord rapide.

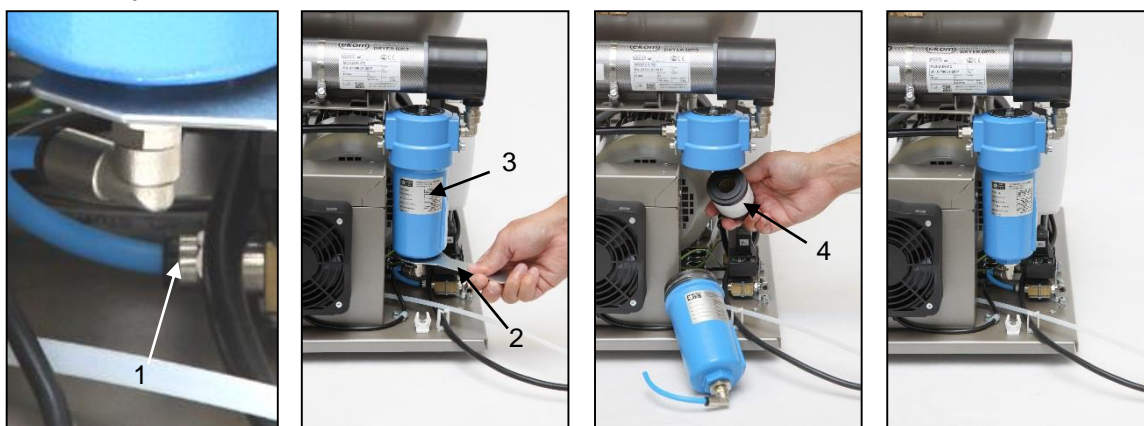


Fig. 14

### 19.9. Contrôle du refroidisseur et du ventilateur (Fig. 2)

Les composants, notamment le ventilateur du compresseur, le ventilateur du refroidisseur (21) et le refroidisseur (14), doivent être maintenus propres pour un séchage efficace. Retirez la poussière de la surface du ventilateur ou des ailettes de refroidissement par aspiration ou en soufflant à l'air comprimé.

### 19.10. Procédure de raccordement d'un compresseur déconnecté de l'armoire



**Avant toute opération d'entretien ou de réparation, éteignez le compresseur et débranchez-le.**

Pour bien fonctionner, le compresseur (sans armoire) exige que le cavalier soit toujours monté dans la barrette de fixation (fig. 15, pos. B). Il remplace ensuite le commutateur sur l'armoire.



**Si aucun cavalier n'est monté dans la barrette de fixation du compresseur (déconnecté de l'armoire), le compresseur ne fonctionne pas !**

Si le cordon entre le compresseur et l'armoire est débranché (en tirant sur la prise secteur) et que le compresseur est retiré de l'armoire, ce dernier ne fonctionnera pas. C'est pourquoi il est nécessaire d'établir un raccordement à la barrette de fixation au moyen d'un cavalier (jouant le rôle de disjoncteur) (Fig. 15).

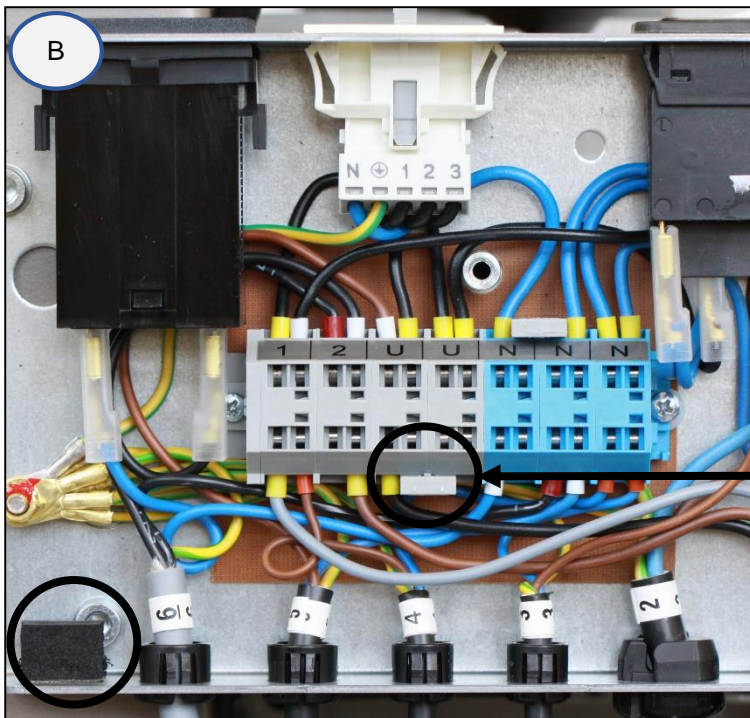
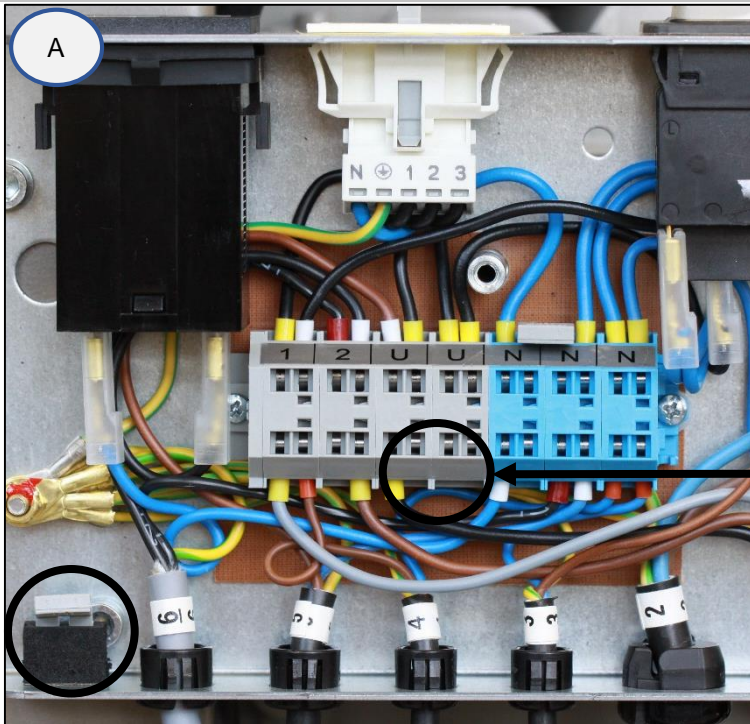
#### PROCESSUS (Fig. 15)

##### Installation du cavalier (Processus A-B)

- Débranchez le produit du secteur en retirant la fiche de la prise.
- Retirez le capot du panneau électrique (du compresseur).
- Le cavalier n'est pas dans la barrette de fixation - A.
- Insérez le cavalier dans la barrette de fixation - B.
- Remettez en place le capot du panneau électrique.
- Raccordez l'appareil au réseau électrique.
- Activez le compresseur en actionnant le pressostat.

Lorsque le compresseur est utilisé en dehors de son armoire, il est **NÉCESSAIRE** de créer un raccordement électrique avec un cavalier installé (Fig. 15, Pos B).

Fig. 15



230V

### 19.11. Procédure de raccordement d'un compresseur à la nouvelle armoire



**Avant toute opération d'entretien ou de réparation, éteignez le compresseur et débranchez-le.**

Lorsque le compresseur est dans l'armoire, il n'est pas nécessaire, pour qu'il fonctionne normalement, de monter le cavalier dans la barrette de fixation (Fig. 15, pos. A). Le commutateur de l'armoire permet d'actionner ou d'arrêter complètement le produit, y compris le compresseur.



**Si un cavalier est monté dans la barrette de fixation du compresseur connecté à une armoire, le commutateur de l'armoire du compresseur ne fonctionne pas !**

Si vous souhaitez raccorder une nouvelle armoire à un compresseur jusque-là utilisé seul (sans armoire), il est nécessaire de supprimer le raccordement de la barrette de fixation du compresseur en suivant la procédure ci-après. Fig. 15) (Consultez également les chap. 14.1. et 14.2).

#### PROCESSUS (Fig. 15)

##### Retirez le cavalier (Processus B-A)

- Débranchez le produit du secteur en retirant la fiche de la prise.
- Retirez le capot du panneau électrique (du compresseur).
- Le cavalier se trouve dans la barrette de fixation – B.
- Retirez le cavalier de la barrette de fixation – A.
- Remettez en place le capot du panneau électrique.
- Insérez le compresseur dans le boîtier.
- Raccordez l'armoire au compresseur en insérant le cordon d'alimentation avec la fiche (1) dans la prise secteur (2). (Fig. 8)
- Raccordez l'appareil au réseau électrique.
- Activez le compresseur en actionnant le pressostat et le commutateur (5) de l'armoire (fig. 9)

Compresseur avec armoire - en cas d'utilisation d'un compresseur avec armoire, **AUCUN** raccordement électrique ne doit être effectué. (Fig. 15, pos. A)

Remarque : **Dans le cas où vous utilisez un compresseur sans armoire ou dans le cas d'une opération de maintenance, un cavalier non installé sur la barrette de fixation doit être conservé** à un endroit prévu à cet effet, à côté du panneau électrique.

### 19.12. Nettoyage et désinfection des surfaces extérieures du produit

Nettoyer et désinfecter les surfaces extérieures de l'appareil avec des produits neutres.



**Toute utilisation des produits de nettoyage et de désinfection contenant de l'alcool et des chlorures peut entraîner la détérioration de la surface et l'altération de la couleur de l'appareil.**

**DÉPANNAGE**

**MISE EN GARDE ! AVANT TOUTE INTERVENTION SUR L'APPAREIL, RÉDUISEZ À ZÉRO LA PRESSIION DANS LE RÉSERVOIR D'AIR ET DÉBRANCHEZ L'APPAREIL DU SECTEUR.**

L'équipement, notamment le ventilateur de refroidissement, doit être maintenu en bon état de propreté pour assurer le rendement à long terme du refroidisseur – les ailettes de refroidissement doivent être nettoyées occasionnellement pour enlever la poussière.

Les travaux de dépannage ne peuvent qu'être effectués par un technicien qualifié.

<b>DYSFONCTIONNEMENTS</b>	<b>CAUSE POSSIBLE</b>	<b>SOLUTION</b>
Le compresseur ne démarre pas	<p>Pas de tension dans le pressostat</p> <p>Défaillance de l'enroulement du moteur, protection de surcharge thermique</p> <p>Condensateur en panne</p> <p>Piston ou autres parties rotatives grippés</p> <p>Le pressostat ne fonctionne pas</p>	<p>Vérifiez la tension de la prise</p> <p>Vérification du commutateur principal - placez le commutateur (4) à la position « I ». (Fig. 9)</p> <p>Le conducteur de la borne est desserré – desserrez-le</p> <p>Vérifiez le cordon électrique - remplacez le cordon défectueux</p> <p>Actionnez le commutateur (2) sur le pressostat (1) (fig. 9)</p> <p>Compresseur dans une armoire – non raccordé à l'armoire par un cordon – procédez à un raccordement câblé à partir de l'armoire (chap. 14)</p> <p>Compresseur (sans armoire) ayant précédemment été utilisé dans une armoire – pas de raccordement dans la barrette de fixation (chap. 19.10)</p> <p>Remplacez le moteur ou les enroulements</p> <p>Remplacez le condensateur</p> <p>Remplacez les pièces endommagées</p> <p>Vérifiez le fonctionnement du pressostat</p>
Le commutateur de l'armoire n'arrête pas le compresseur	Dans l'armoire se trouve un compresseur qui a précédemment été utilisé seul (un cavalier est inséré dans la barrette de fixation).	Retirez le cavalier de la barrette de fixation, voir chap. 19.11
Le compresseur est régulièrement activé	<p>Fuite d'air dans le système de distribution d'air comprimé</p> <p>Fuite du clapet anti-retour</p> <p>Grand volume de liquide condensé dans le récipient sous pression</p> <p>Performance faible du compresseur</p>	<p>Vérifiez le système de distribution d'air comprimé – resserrez les joints non hermétiques</p> <p>Nettoyez le clapet anti-retour, remplacez les joints d'étanchéité, remplacez le clapet anti-retour</p> <p>Vidangez le liquide condensé</p> <p>Vérifiez le temps de remplissage du réservoir d'air</p>

Pression faible dans le réservoir d'air (le compresseur fonctionne en continu)	Forte consommation d'air par l'appareil, fuite dans le système de distribution pneumatique, production globale faible Dysfonctionnement de l'agrégat Dysfonctionnement du sécheur	Réduire la consommation d'air Utiliser un compresseur d'une plus grande capacité Vérifier le système pneumatique – sceller les raccords mal fixés Nettoyer / remplacer la pompe Nettoyer / remplacer la pompe Remplacer le sécheur
Utilisation prolongée du compresseur	Fuite dans le système de distribution pneumatique Bague de piston usée Filtre d'entrée obstrué Électrovanne défectueuse	Vérifiez le système de distribution d'air comprimé – resserrez les joints non hermétiques Remplacez les bagues de piston usées Remplacez le filtre usagé par un filtre neuf Réparez ou remplacez la soupape ou la bobine
Compresseur bruyant (cognements, bruits de métal)	Roulement de piston, tige de piston, roulement moteur endommagés Ressort desserré ou fissuré	Remplacez le roulement endommagé  Remplacez le ressort endommagé
Le sécheur ne sèche plus (eau condensée dans le réservoir) *	Le ventilateur de refroidissement ne fonctionne pas	Remplacez-le Vérifiez la source d'alimentation
	Sécheur endommagé	Remplacez le sécheur
	Le dispositif de purge automatique de condensat ne fonctionne pas	Nettoyez/remplacez

)\* Après un dysfonctionnement du sécheur, nettoyez soigneusement les surfaces intérieures du réservoir d'air et retirez tout le liquide condensé.

**Afin de protéger l'appareil contre tout dommage, contrôlez le point de rosée de l'air s'échappant du réservoir d'air (cf. Chapitre 7 Données techniques) !**

## 20. SERVICE DE RÉPARATION

Toutes les réparations, sous garantie ou après l'expiration de celle-ci, doivent être effectuées par le fabricant, son représentant agréé ou par le personnel d'entretien agréé par le fournisseur.

**Le fabricant se réserve le droit d'apporter des modifications à l'appareil sans préavis. Les modifications apportées n'affecteront en aucun cas les propriétés fonctionnelles de l'appareil.**

## 21. STOCKAGE

En cas de non-utilisation prolongée du compresseur, vidangez tout le condensat du réservoir d'air. Ensuite, mettez le compresseur en marche pendant 10 secondes, en laissant la soupape de vidange ouverte (1) (Fig. 9). Arrêtez le compresseur à l'aide du commutateur (2) du pressostat (1) (Fig. 8), puis fermez la soupape de vidange et débranchez l'appareil du secteur.

## 22. MISE AU REBUT DE L'APPAREIL

- Débranchez l'appareil du secteur.
- Évacuez la pression d'air du réservoir en ouvrant la soupape de vidange (1) (Fig. 9).
- Mettez l'appareil au rebut conformément aux réglementations environnementales en vigueur.
- Confiez le tri et l'élimination des déchets à une entreprise spécialisée.
- Les composants usés n'ont aucune incidence négative sur l'environnement.

**ОГЛАВЛЕНИЕ**

<b>ВАЖНЫЕ СВЕДЕНИЯ.....</b>	<b>119</b>
1. СООТВЕТСТВИЕ ТРЕБОВАНИЯМ ДИРЕКТИВ ЕВРОПЕЙСКОГО СОЮЗА.....	119
2. НАЗНАЧЕНИЕ.....	119
3. ПРОТИВОПОКАЗАНИЯ И ПОБОЧНЫЕ ЭФФЕКТЫ .....	119
4. ПРЕДУПРЕЖДЕНИЯ И СИМВОЛЫ .....	119
5. ПРЕДУПРЕЖДЕНИЯ.....	120
6. ХРАНЕНИЕ И ТРАНСПОРТИРОВКА.....	122
7. ТЕХНИЧЕСКИЕ ХАРАКТЕРИСТИКИ.....	123
8. ОПИСАНИЕ ИЗДЕЛИЯ .....	129
9. ПРИНЦИП ДЕЙСТВИЯ ИЗДЕЛИЯ .....	130
10. СХЕМА ВОЗДУШНОЙ СИСТЕМЫ .....	135
<b>УСТАНОВКА.....</b>	<b>136</b>
11.УСЛОВИЯ ЭКСПЛУАТАЦИИ .....	136
12.РАЗМЕЩЕНИЕ КОМПРЕССОРА .....	137
13.ПНЕВМАТИЧЕСКИЕ СОЕДИНЕНИЯ.....	138
14.ЭЛЕКТРИЧЕСКИЕ СОЕДИНЕНИЯ .....	138
15.СХЕМА ЭЛЕКТРИЧЕСКИХ СОЕДИНЕНИЙ .....	140
<b>ЭКСПЛУАТАЦИЯ .....</b>	<b>144</b>
16.ВВОД В ЭКСПЛУАТАЦИЮ .....	144
17.ВКЛЮЧЕНИЕ КОМПРЕССОРА .....	145
18.ВЫКЛЮЧЕНИЕ КОМПРЕССОРА.....	145
<b>ТЕХНИЧЕСКОЕ ОБСЛУЖИВАНИЕ .....</b>	<b>146</b>
19.ТЕХНИЧЕСКОЕ ОБСЛУЖИВАНИЕ УСТРОЙСТВА.....	146
<b>УСТРАНЕНИЕ НЕИСПРАВНОСТЕЙ .....</b>	<b>154</b>
20.РЕМОНТНОЕ ОБСЛУЖИВАНИЕ .....	155
21.УСЛОВИЯ ХРАНЕНИЯ .....	155
22.УТИЛИЗАЦИЯ УСТРОЙСТВА .....	156
<b>ПРИЛОЖЕНИЕ.....</b>	<b>268</b>
23. ОТЧЕТ ОБ УСТАНОВКЕ .....	271

## **ВАЖНЫЕ СВЕДЕНИЯ**

УВАЖАЕМЫЙ ПОЛЬЗОВАТЕЛЬ.

ПОЖАЛУЙСТА, ВНИМАТЕЛЬНО ПРОЧТИТЕ ДАННОЕ РУКОВОДСТВО ПО ЭКСПЛУАТАЦИИ ДЛЯ ТОГО, ЧТОБЫ ОБЕСПЕЧИТЬ ОПТИМАЛЬНОЕ И ПРАВИЛЬНОЕ ФУНКЦИОНИРОВАНИЕ ВАШЕГО МЕДИЦИНСКОГО ОБОРУДОВАНИЯ.

Изделие зарегистрировано и соответствует требованиям Федеральной Службы по надзору в сфере здравоохранения и социального развития Российской Федерации.

Изделие соответствует системе сертификации ГОСТ Р Госстандарта России.

### **1. СООТВЕТСТВИЕ ТРЕБОВАНИЯМ ДИРЕКТИВ ЕВРОПЕЙСКОГО СОЮЗА**

Данное изделие соответствует требованиям Регламенту о медицинских изделиях (2017/745/EU) (MDR). Его можно безопасно использовать по назначению при условии соблюдения всех требований техники безопасности.

### **2. НАЗНАЧЕНИЕ**

Медицинский компрессор используется в качестве источника чистого, безмасляного, сжатого воздуха для питания активных медицинских устройств (например в стоматологии, диагностике и лабораториях и т.д.), где параметры и свойства сжатого воздуха подходят определенному целевому назначению.



**Подаваемый компрессором сжатый воздух, не прошедший дополнительную фильтрацию, не подходит для использования в аппаратах искусственной вентиляции легких.**

Применение данного изделия для других целей, не соответствующих назначению устройства, считается ненадлежащим использованием. Производитель не несет ответственности за повреждения и травмы, вызванные ненадлежащим использованием устройства.

### **3. ПРОТИВОПОКАЗАНИЯ И ПОБОЧНЫЕ ЭФФЕКТЫ**

Противопоказания или побочные эффекты неизвестны.

### **4. ПРЕДУПРЕЖДЕНИЯ И СИМВОЛЫ**

В руководстве пользователя, а также на устройстве и упаковке к нему для обозначения важных сведений используются перечисленные ниже символы.



Общие предупреждения



Предупреждение



Опасно, угроза поражения электрическим током



См. руководство пользователя.



Следуйте указаниям, содержащимся в руководстве пользователя



Маркировка CE



Медицинское изделие



Серийный номер



Компрессор управляется автоматически; он может запускаться без предупреждения



Внимание! Горячая поверхность



Заземление



Маркировка на упаковке — ХРУПКИЙ ПРЕДМЕТ



Маркировка на упаковке — ЭТОЙ СТОРОНОЙ ВВЕРХ



Маркировка на упаковке — БЕРЕЧЬ ОТ ВЛАГИ



Маркировка на упаковке — ТЕМПЕРАТУРНЫЕ ОГРАНИЧЕНИЯ



Маркировка на упаковке — ШТАБЕЛИРОВАНИЕ ОГРАНИЧЕНО



Маркировка на упаковке — ПРИГОДНО ДЛЯ ВТОРИЧНОЙ ПЕРЕРАБОТКИ



Производитель

## 5. ПРЕДУПРЕЖДЕНИЯ

Данное изделие спроектировано и изготовлено таким образом, чтобы не представлять опасности для пользователя и окружающей среды при условии надлежащей эксплуатации. Имейте в виду перечисленные ниже предупреждения.

### 5.1. Общие предупреждения

ПРЕЖДЕ ЧЕМ ИСПОЛЬЗОВАТЬ ИЗДЕЛИЕ, ВНИМАТЕЛЬНО ПРОЧИТАЙТЕ РУКОВОДСТВО ПОЛЬЗОВАТЕЛЯ. СОХРАНИТЕ РУКОВОДСТВО ДЛЯ ИСПОЛЬЗОВАНИЯ В БУДУЩЕМ.

- В данном руководстве пользователя рассказывается, как правильно установить и эксплуатировать изделие, а также выполнять его техническое обслуживание. Внимательно изучите данное руководство, чтобы правильно эксплуатировать изделие в соответствии с его назначением.
- Сохраните заводскую упаковку на случай возврата устройства. Только заводская упаковка гарантирует защиту устройства во время его транспортировки. При возврате изделия в

течение гарантийного срока производитель не несет ответственности за повреждения, вызванные ненадлежащей упаковкой.

- Гарантия не распространяется на изделия, поврежденные в результате применения дополнительных принадлежностей, которые не указаны или не рекомендованы производителем.
- Производитель гарантирует безопасность, надежность и функционирование устройства только при соблюдении описанных ниже условий.
  - Установку, перенастройку, внесение изменений, расширение возможностей и ремонтные работы должен выполнять производитель либо уполномоченная им организация.
  - Изделие следует использовать в соответствии с данным руководством пользователя.
- Данное руководство пользователя соответствует конфигурации изделия и на момент печати отвечает требованиям всех стандартов безопасности и техническим условиям. Производитель оставляет за собой все права на патентную защиту своих методов, названий и конфигурации.
- Перевод руководства пользователя следует выполнять с учетом всей доступной информации. В случае сомнений требуется использовать версию на словацком языке.
- Данное руководство пользователя — исходное. Перевод руководства следует выполнять с учетом всей доступной информации.

## 5.2. Общие предостережения по безопасности

Производитель разработал и изготовил изделие таким образом, чтобы максимально сократить все риски при условии правильной эксплуатации. Производитель считает своей обязанностью изложить указанные ниже общие требования техники безопасности.

- При эксплуатации изделия следует соблюдать все законы и нормативные акты, действующие в месте использования оборудования. Оператор и пользователь несут ответственность за соблюдение всех соответствующих нормативных актов для безопасной эксплуатации.
- Только использование деталей и узлов, изготовленных производителем, гарантирует безопасность обслуживающего персонала и бесперебойную работу самого изделия. Разрешается применять только те дополнительные принадлежности и детали, которые указаны в технической документации или утверждены производителем.
- Перед каждым использованием устройства оператору необходимо убедиться, что оно работает надлежащим образом и безопасно для эксплуатации.
- Пользователь должен понимать принцип работы устройства.
- Не используйте изделие во взрывоопасных средах.
- В случае возникновения проблем, непосредственно связанных с эксплуатацией устройства, пользователь обязан немедленно уведомить поставщика.
- О любом серьезном инциденте, произошедшем в связи с использованием устройства, необходимо сообщить изготовителю и в компетентный орган государства-члена ЕС, в котором зарегистрирован пользователь и/или пациент.

## 5.3. Меры техники безопасности для защиты от поражения электрическим током

- Устройство следует подключать только к правильно установленной и заземленной розетке.

- Перед подключением изделия к электросети необходимо убедиться, что напряжение и частота электросети соответствуют характеристикам, указанным на устройстве.
- Прежде чем ввести устройство в эксплуатацию, проверьте, не повреждены ли подключенные к устройству пневматические линии и провода. Если повреждены какие-либо пневматические линии и электрические провода, немедленно замените их.
- При возникновении опасной ситуации или технической неисправности немедленно отключите изделие от электросети (вытащите сетевой шнур из розетки).
- При ремонте и техническом обслуживании соблюдайте указанные ниже требования.
  - Извлеките вилку сетевого шнура из розетки.
  - Сравите давление из ресивера и трубопровода.
- Установку изделия должен выполнить только квалифицированный специалист.

## 6. ХРАНЕНИЕ И ТРАНСПОРТИРОВКА

Компрессор поставляется с фабрики в транспортной упаковке. Она защищает устройство от повреждений во время транспортировки.



**При транспортировке компрессора по возможности следует использовать его заводскую упаковку. Транспортируйте компрессор в вертикальном положении. Во время транспортировки всегда закрепляйте его соответствующими средствами.**



При транспортировке и хранении не подвергайте компрессор воздействию влаги, грязи и экстремальных температур. Храните компрессор в заводской упаковке в теплом, сухом и незапыленном помещении. Не храните компрессор вблизи химических веществ.



По возможности сохраните упаковочный материал. Если нет такой возможности, утилизируйте его экологически безопасным способом. Упаковочный картон можно перерабатывать вместе со старой бумагой.



**Прежде чем транспортировать компрессор, полностью стравите давление в нем. Прежде чем перемещать или транспортировать компрессор, стравите давление в ресивере и шлангах, а также слейте водяной конденсат из в ресивера.**



**Запрещается хранить и транспортировать оборудование в условиях, отличных от приведенных ниже.**

### Условия окружающей среды при хранении и транспортировке

Изделия можно хранить и перевозить только в транспортных средствах, не содержащих остатков летучих химических веществ при указанных ниже условиях.

<b>Температура</b>	от -25 до +55 °C (24 ч при температуре до +70 °C)
<b>Относительная влажность</b>	макс. 90% (при отсутствии конденсата)

## 7. ТЕХНИЧЕСКИЕ ХАРАКТЕРИСТИКИ

Компрессоры спроектированы для эксплуатации в сухих и вентилируемых помещениях при указанных ниже условиях.

**Температура**

от +5 до +40 °C

**Относительная влажность**

макс. 70%

Табл. 1

5 – 7 бар		DK50-10 Z		DK50-10 S		DK50-10 Z/M		DK50-10 S/M	
Номинальное напряжение и частота(*)	В/Гц	230 / 50/60	115 / 60	230 / 50/60	115 / 60	230 / 50/60	115 / 60	230 / 50/60	115 / 60
Производительность при давлении 5 бар	л/мин <sup>-1</sup>	75/85	85	75/85	85	58/68	68	58/68	68
Рабочее давление (**)	бар	5,0 – 7,0		5,0 – 7,0		5,0 – 7,0		5,0 – 7,0	
Номинальный ток	А	3,8/4,8	8,9	3,8/4,8	8,9	4,1/5,1	9,1	4,1/5,1	9,1
Мощность электродвигателя	кВт	0,55		0,55		0,55		0,55	
Объем ресивера	л	10		10		10		10	
Качество воздуха (фильтрация)	μм	-		-		0,1		0,1	
Максимальное рабочее давление предохранительного клапана	бар	8,0		8,0		8,0		8,0	
Уровень шума при 5 бар	L <sub>pfA</sub> [дБ]	≤64/≤66	≤66	≤46/≤49	≤49	≤65/≤67	≤67	≤49/≤52	≤52
Рабочий режим		S1-100%		S1-100%		S1-100%		S1-100%	
Степень осушения PDP при давлении 7 бар		-		-		≤ +3°C		≤ +3°C	
Время наполнения ресивера от 0 до 6 бар	с	50/44	44	50/44	44	70/60	60	70/60	60
Габариты (устройства) Ш x Г x В	мм	485x350x553		580x440x655		544x350x553		649x440x655	
Масса нетто (***)	кг	38		53		44		61	
Классификация согласно стандарту EN 60601-1		Класс I.							

Примечания.

(\*) При заказе указывайте версию компрессора.

(\*\*) Если необходим другой диапазон значений давления, проконсультируйтесь с поставщиком.

(\*\*\*) Информация о весе носит информативный характер и относится к изделию без дополнительных аксессуаров.

### Зависимость производительности компрессора от рабочего давления

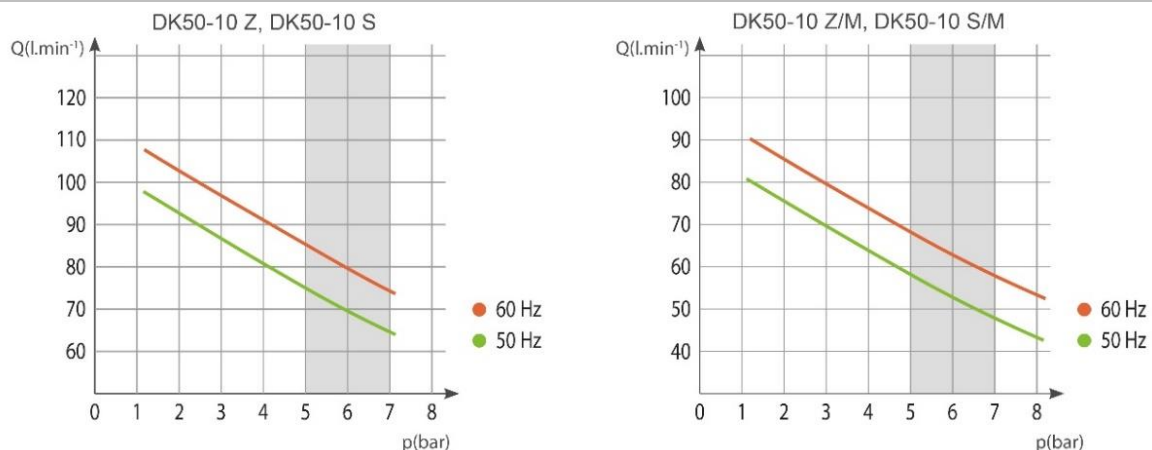


Табл. 2

6–8 бар		DK50-10 Z		DK50-10 S		DK50-10 Z/M		DK50-10 S/M	
Номинальное напряжение и частота (*)	В/Гц	230 / 50/60	115 / 60	230 / 50/60	115 / 60	230 / 50/60	115 / 60	230 / 50/60	115 / 60
Производительность при давлении 6 бар	л/мин <sup>-1</sup>	70/80	80	70/80	80	60/70	70	60/70	70
Рабочее давление (**)	бар	6,0 – 8,0		6,0 – 8,0		6,0 – 8,0		6,0 – 8,0	
Номинальный ток	А	3,9/4,9	9	3,9/4,9	9	4,1/5,1	9,2	4,1/5,1	9,2
Мощность электродвигателя	кВт	0,55		0,55		0,55		0,55	
Объем ресивера	л	10		10		10		10	
Качество воздуха (фильтрация)	μм	-		-		0,1		0,1	
Максимальное рабочее давление предохранительного клапана	бар	12,0		12,0		12,0		12,0	
Уровень шума при 5 бар	L <sub>pf</sub> A[дБ]	≤64/≤66	≤66	≤46/≤49	≤49	≤65/≤67	≤67	≤49/≤52	≤52
Рабочий режим		S1-100%		S1-100%		S1-100%		S1-100%	
Степень осушения PDP при давлении 7 бар		-		-		≤ +3°C		≤ +3°C	
Время наполнения ресивера от 0 до 7 бар	с	60/51	51	60/51	51	72/61	61	72/61	61
Габариты (устройства) Ш x Г x В	мм	485x350x553		580x440x655		544x350x553		649x440x655	
Масса нетто (***)	кг	38		53		44		61	
Классификация в соответствии со стандартом EN 60601-1		Класс I.							

**Примечания.**

- (\*) При заказе указывайте версию компрессора.
- (\*\*) Если необходим другой диапазон значений давления, проконсультируйтесь с подрядчиком.
- (\*\*\*) Информация о весе носит информативный характер и относится к изделию без дополнительных аксессуаров.

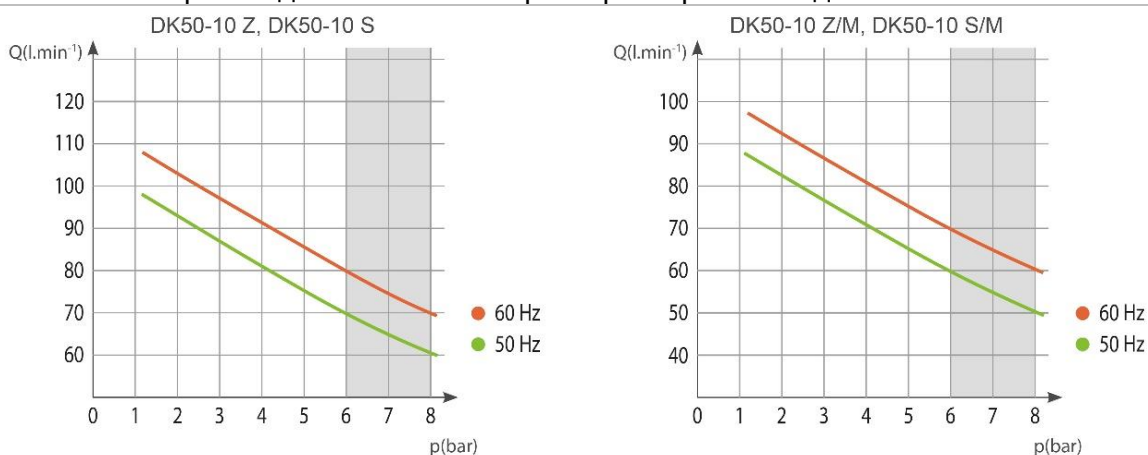
**Зависимость производительности компрессора от рабочего давления**


Табл. 3

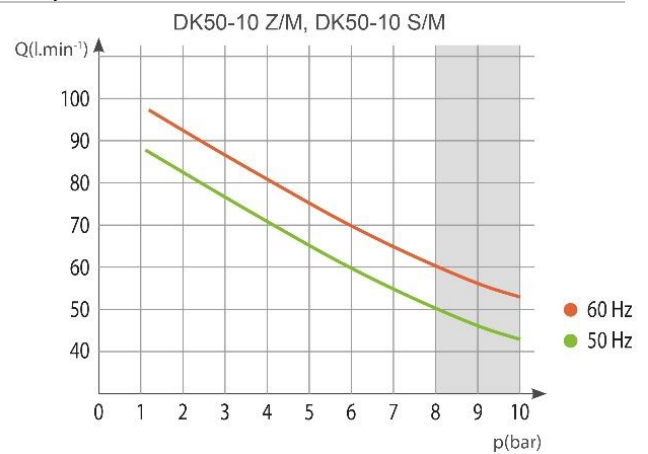
8–10 бар		DK50-10 Z		DK50-10 S		DK50-10 Z/M		DK50-10 S/M	
Номинальное напряжение и частота (*)	В/Гц	230 / 50/60	115 / 60	230 / 50/60	115 / 60	230 / 50/60	115 / 60	230 / 50/60	115 / 60
Производительность при давлении 8 бар	л/мин <sup>-1</sup>	60/70	70	60/70	70	50/60	60	50/60	60
Рабочее давление (**)	бар	8,0 – 10,0		8,0 – 10,0		8,0 – 10,0		8,0 – 10,0	
Номинальный ток	А	4,1/5,1	9,2	4,1/5,1	9,2	4,3/5,3	9,4	4,4/5,4	9,4
Мощность электродвигателя	кВт	0,55		0,55		0,55		0,55	
Объем ресивера	л	10		10		10		10	
Качество воздуха (фильтрация)	μм	-		-		0,1		0,1	
Максимальное рабочее давление предохранительного клапана	бар	12,0		12,0		12,0		12,0	
Уровень шума при 5 бар	L <sub>pfA</sub> [дБ]	≤64/≤66	≤66	≤46/≤49	≤49	≤65/≤67	≤67	≤49/≤52	≤52
Рабочий режим		S1-100%		S1-100%		S1-100%		S1-100%	
Степень осушения PDP при давлении 7 бар		-		-		≤ +3°C		≤ +3°C	
Время наполнения ресивера от 0 до 9 бар	с	85/75	75	85/75	75	96/82	82	96/82	82
Габариты (устройства) Ш x Г x В	мм	485x350x553		580x440x655		544x350x553		649x440x655	
Масса нетто (***)	кг	38		53		44		61	
Классификация в соответствии со стандартом EN 60601-1		Класс I.							

Примечания.

(\*) При заказе указывайте версию компрессора.

(\*\*) Если необходим другой диапазон значений давления, проконсультируйтесь с подрядчиком.

(\*\*\*) Информация о весе носит информативный характер и относится к изделию без дополнительных аксессуаров.

**Зависимость производительности компрессора от рабочего давления**


### 7.1. Поправки потребляемого объема сжатого воздуха за единицу времени (ПОСВ) вследствие подъема

Производительность, указанная как ПОСВ (потребляемый объем сжатого воздуха), зависит от выполнения следующих условий:

Высота	0 метров над уровнем моря	Температура	20 °С
Атмосферное давление	101 325 Па	Относительная влажность	0 %

Следующая таблица поправочных коэффициентов используется для преобразования производительности компрессора ПОСВ в зависимости от высоты над уровнем моря.:

Высота [метров над уровнем моря]	0–1500	1501–2500	2501–3500	3501–4500
<b>Поправочный коэффициент ПОСВ</b>	1	0,8	0,71	0,60

### 7.2. Требования к электромагнитной совместимости

Медицинское устройство нуждается в специальных мерах предосторожности в отношении электромагнитной совместимости (ЭМС) и должно быть установлено и введено в эксплуатацию в соответствии с информацией ЭМС, приведенной ниже.

<b>Руководство и заявление производителя: электромагнитное излучение</b>		
Для IEC 60601-1-2:2014 - Изделия медицинские электрические. Часть 1-2. Общие требования безопасности с учетом основных функциональных характеристик. Параллельный стандарт. Электромагнитные помехи. Требования и испытания.		
Устройство предназначено к использованию в электромагнитной обстановке, как указано ниже. Покупатель или пользователь устройства должен обеспечить эксплуатацию устройства в таких условиях.		
<b>Испытание электромагнитного излучения</b>	<b>Соответствие</b>	<b>Электромагнитная обстановка: руководство</b>
Радиочастотное излучение CISPR 11	Группа 1	Устройство использует высокочастотную энергию только для функционирования внутренних компонентов. Таким образом, радиочастотное излучение очень низкое и не должно вызывать помехи в работе расположенного поблизости электронного оборудования.
Радиочастотное излучение CISPR 11	Класс В	Устройство подходит для использования во всех учреждениях, включая домашние хозяйства и учреждения, подключенные непосредственно к общественной низковольтной системе электроснабжения, питающей жилые здания.
Гармоническая эмиссия IEC 61000-3-2	Класс А	
Колебания напряжения / фликер IEC 61000-3-3	Устройство не должно вызывать фликер, так как ток после запуска практически постоянен.	

<b>Руководство и заявление производителя: электромагнитная устойчивость</b>			
Для IEC 60601-1-2:2014 - Изделия медицинские электрические. Часть 1-2. Общие требования безопасности с учетом основных функциональных характеристик. Параллельный стандарт. Электромагнитные помехи. Требования и испытания.			
Устройство предназначено к использованию в электромагнитной обстановке, как указано ниже. Покупатель или пользователь устройства должен обеспечить эксплуатацию устройства в таких условиях.			
<b>Испытание устойчивости</b>	<b>Степень жесткости испытания согласно IEC 60601-1-2</b>	<b>Уровень соответствия</b>	<b>Электромагнитная обстановка: руководство</b>
Электростатический разряд IEC 61000-4-2	± 8 кВ контактный ± 15 кВ воздушный	± 8 кВ контактный ± 15 кВ воздушный	Полы должны быть из дерева, бетона или керамической плитки. Если полы покрыты синтетическим материалом, относительная влажность должна быть минимум 30 %.
Электрические наносекундные импульсные помехи IEC 61000-4-4	± 2 кВ для портов электропитания ± 1 кВ портов ввода/вывода	± 2 кВ 100 кГц частота повторения Применимо при подключении к основному источнику питания	Качество основного источника электропитания должно соответствовать нормам для коммерческих или лечебных учреждений.
Микросекундные импульсные помехи большой энергии IEC 61000-4-5	± 1 кВ в дифференциальном режиме, ± 2 кВ в обычном режиме	± 1 кВ фаза-нейтраль ± 2 кВ фаза-защитное заземление; нейтраль-защитное заземление Применимо при подключении к основному источнику питания	Качество основного источника электропитания должно соответствовать нормам для коммерческих или лечебных учреждений.
Падение напряжения, кратковременное прерывание энергоснабжения и изменение напряжения на линиях электроснабжения IEC 60601-4-11	U <sub>T</sub> =0%, 0,5 цикла (b 0, 45, 90, 135, 180, 225, 270 и 315°)  U <sub>T</sub> =0%, 1 цикл  U <sub>T</sub> =70% 25/30 циклов (для 0°)  U <sub>T</sub> =0%, 250/300 циклов	U <sub>T</sub> ≥95%, 0,5 цикла (b 0, 45, 90, 135, 180, 225, 270 и 315°)  U <sub>T</sub> ≥95%, 1 цикл  U <sub>T</sub> =70% (30% падение U <sub>T</sub> ), 25(50Hz)/30(60Hz) циклов (для 0°)  U <sub>T</sub> ≥95%, 250(50Hz)/300(60Hz) циклов	Качество основного источника электропитания должно соответствовать нормам для коммерческих или лечебных учреждений. Устройство отключается и повторно запускается при каждом падении напряжения. В этом случае удается избежать недопустимого падения давления.
Частота сети (50 / 60 Гц) IEC 61000-4-8	30 А/м	30 А/м	Магнитные поля промышленной частоты должны быть на уровне, характерном для типичного местоположения в типичном коммерческом или лечебном учреждении
ПРИМЕЧАНИЕ. U <sub>T</sub> — напряжение главного источника питания переменного тока до применения степени жесткости испытаний.			

<b>Руководство и заявление производителя: электромагнитная устойчивость</b>			
Для IEC 60601-1-2:2014 - Изделия медицинские электрические. Часть 1-2. Общие требования безопасности с учетом основных функциональных характеристик. Параллельный стандарт. Электромагнитные помехи. Требования и испытания.			
Устройство предназначено к использованию в электромагнитной обстановке, как указано ниже. Покупатель или пользователь устройства должен обеспечить эксплуатацию устройства в таких условиях.			
<b>Испытание устойчивости</b>	<b>Степень жесткости испытания согласно IEC 60601-1-2</b>	<b>Уровень соответствия</b>	<b>Электромагнитная обстановка: руководство</b>
<p>Наведенные РЧ-поля IEC 61000-4-6</p> <p>Радиочастотное электромагнитное поле IEC 61000-4-3</p> <p>Поля близости от радиочастотных беспроводных коммуникационных Устройств IEC 61000-4-3</p>	<p>3 В среднеквадратическое напряжение от 150 кГц до 80 МГц</p> <p>3 В/м от 80 МГц до 2,7 ГГц</p> <p>9 до 28 В/м 15 специфических частот (380 до 5800 MHz)</p>	<p>3 В среднеквадратическое напряжение</p> <p>3 В/м</p> <p>9 до 28 В/м 15 специфических частот (380 до 5800 MHz)</p>	<p>Портативное и мобильное радиооборудование не рекомендуется использовать возле любой части устройства, включая кабели, ближе рекомендованного расстояния, рассчитанного в уравнении на основе частоты передатчика.</p> <p><b>Рекомендуемое расстояние</b> <math>d = 1,2\sqrt{P}</math></p> <p><math>d = 1,2\sqrt{P}</math>, от 80 МГц до 800 МГц</p> <p><math>d = 2,3\sqrt{P}</math>, от 800 МГц до 2,7 ГГц</p> <p>Здесь P — максимальная номинальная мощность передатчика на выходе в ваттах (Вт) согласно данным производителя, а d — рекомендованное расстояние в метрах (м).</p> <p>Напряженность поля, создаваемая постоянными РЧ-передатчиками и определяемая в результате практического измерения электромагнитного поля<sup>a</sup>, должна быть меньше, чем значения для уровня соответствия в каждом диапазоне частот.<sup>b</sup> Помехи могут возникать поблизости от оборудования, отмеченного таким знаком:</p> 
<p>ПРИМЕЧАНИЕ 1. В диапазоне частот от 80 МГц до 800 МГц применяется большее значение.</p> <p>ПРИМЕЧАНИЕ 2. Данные руководства применимы не во всех ситуациях. Поглощение и отражение электромагнитных волн зданиями, объектами и людьми влияют на их распространение.</p>			
<p><sup>a</sup> Напряженность поля от постоянных передатчиков, например базовых станций радиотелефонов (мобильных или беспроводных) и сухопутных систем подвижной радиосвязи, радиоловительской связи, AM- и FM-радиостанций и телевизионных вышек, нельзя точно рассчитать в теории. Чтобы оценить электромагнитную обстановку вблизи от постоянных РЧ-передатчиков, необходимо провести практические измерения электромагнитного поля. Если измеренная напряженность поля в месте, где используется устройство превышает применимый уровень соответствия устойчивости к РЧ-помехам, указанный выше, необходимо внимательно следить за функционированием устройства, чтобы обеспечить нормальную работу. Если наблюдаются неполадки в работе устройства, могут понадобиться дополнительные меры, например перестановка или перемещение устройства.</p> <p><sup>b</sup> За пределами диапазона частот от 150 кГц до 80 кГц напряженность поля должна быть менее 3 В/м.</p>			

## 8. ОПИСАНИЕ ИЗДЕЛИЯ

### 8.1. Варианты исполнения

Модели компрессоров имеют указанные ниже варианты исполнения.

<b>DK50-10 Z</b>	монтируемый на основании компрессор для автономной установки в определенном помещении клиники
<b>DK50-10 Z/M</b>	монтируемый на основании компрессор с осушителем воздуха
<b>DK50-10 S</b>	компрессор в шкафу с эффективной системой шумоподавления для установки в медицинском кабинете
<b>DK50-10 S/M</b>	компрессор с мембранным осушителем в шкафу



**DK50-10 Z**



**DK50-10 Z/M**



**DK50-10 S  
DK50-10 S/M**

### 8.2. Принадлежности

Принадлежности, не входящие в стандартный заказ, необходимо приобретать дополнительно.

#### 8.2.1. Система автоматического слива конденсата

Система автоматического слива конденсата (АОК) автоматически отводит конденсат из ресивера компрессора с заданной периодичностью. Система слива конденсата (АОК) рассчитана на модели компрессоров без осушителей.

Тип	Модели, в которых используется	Артикул комплекта
АОК 10	DK50-10Z	447000001-046

#### 8.2.2. Набор выходных фильтров сжатого воздуха

Если требуется, компрессор может быть оснащен комплектом фильтров. Такой комплект фильтров можно оснастить регулятором давления воздуха.



**Если требуется другой уровень фильтрации воздуха, такие требования необходимо согласовать с поставщиком, четко указав их во время заказа.**

Тип	Модели, в которых используется	Степень фильтрации (μм)	Артикул комплекта
FS 20F		1	604014119-003
FS 20M	DK50-10Z	1+0,1	604014119-009
FS 20S	DK50-10Z/M	1+0,01	604014119-012
FS 20A		1+0,01+A**	604014119-013

\*\* ) А – субмикронный фильтр с активированным углем

### 8.2.3. Узел регулятора комплекта фильтра

Компрессор можно оснастить регулятором давления на выходе сжатого воздуха (если указана такая возможность). Регулятор следует выбирать исходя из его применения в составе комплекта фильтров или отдельно. Регулятор должен обеспечивать постоянное давление на выходе.

Тип	Модели, в которых используется	Артикул комплекта
Регулятор в сборе (к фильтру в сборе)	DK50-10Z, DK50-10Z/M	604014142-000
REG10 (отдельно)		447000001-042

### 8.2.4. Кронштейны комплекта фильтров



Для каждого комплекта фильтров следует заказать соответствующий кронштейн.

Тип	Модели, в которых используется	Артикул комплекта
Кронштейн для монтажа на компрессор	DK50-10Z, DK50-10Z/M	603002108-000
Кронштейн для настенного монтажа		604014186-000

### 8.2.5. Блок конденсации и фильтрации

Компрессор можно дополнительно укомплектовать блоком конденсации и фильтрации (KJF-1 или KJFR-1). Блоки KJF-1 и KJFR-1 обеспечивают охлаждение сжатого воздуха, поступающий из ресивера, в охладителе. При этом конденсат остается в фильтре и автоматически отделяется от системы распределения сжатого воздуха. Одновременно с этим происходит фильтрация сжатого воздуха.

Тип	Модели, в которых используется	Степень фильтрации (μм)	Регулятор давления	Артикул комплекта
KJF-1	DK50-10Z	5	Нет	450001011-001
KJFR-1	DK50-10Z/M		Да	450001011-002

## 9. ПРИНЦИП ДЕЙСТВИЯ ИЗДЕЛИЯ

### Компрессор (рис. 1)

Агрегат компрессора (1) всасывает атмосферный воздух через входной фильтр (8) и нагнетает его через обратный клапан (3) в ресивер (2), из которого сжатый воздух поступает на различные устройства. Если давление в ресивере падает до уровня включения, реле

давления (4) включает компрессор. Последний подает сжатый воздух в ресивер, пока давление в последнем не повысится до уровня отключения, при котором компрессор отключается. После отключения компрессорного агрегата давление в напорном шланге стравливается через электромагнитный клапан (13). Предохранительный клапан (5) позволяет поддерживать в ресивере давление, не превышающее максимально допустимого значения. Конденсат из ресивера сливается через сливной кран (7). Сжатый, отфильтрованный и обезмасленный воздух сохраняется в ресивере и готов к использованию. Конденсат из ресивера необходимо сливать регулярно (см. раздел 19.1).

#### **Компрессор с мембранным осушителем (рис. 2).**

Агрегат компрессора (1) всасывает атмосферный воздух через входной фильтр (8) и нагнетает его в охладитель (14), после чего он через фильтр (15) и обратный клапан (3) поступает в осушитель (9). Оттуда сухой чистый воздух поступает в ресивер (2). Часть воздуха с уловленной влагой выпускается из осушителя и слабым потоком подается вдоль корпуса осушителя (9). С определенной периодичностью конденсат из фильтра автоматически сливается в резервуар через электромагнитный клапан для слива конденсата (16). Осушитель обеспечивает непрерывное осушение сжатого воздуха. Когда процесс осушения зафиксирован, конденсат из ресивера сливается через сливной кран (7). Сжатый, отфильтрованный и обезмасленный воздух сохраняется в ресивере и готов к использованию. Чтобы мембранный осушитель действовал как положено, он должен быть присоединен к ресиверу непосредственно, без использования обратного клапана. Поскольку мембранный осушитель содержит волокна селективной мембраны, через них происходит незначительная утечка воздуха (около 0,5 бар / 30 мин).

По этой причине, даже если нет расхода сжатого воздуха (из ресивера), давление медленно и постепенно падает, однако это не означает неисправность. Из резервуара высокого давления не требуется сливать конденсат.

#### **Шкаф компрессора**

Звуконепроницаемый шкаф служит компактным корпусом компрессора и обеспечивает воздухообмен, необходимый для охлаждения. Благодаря дизайну шкафа его можно разместить в кабинете стоматолога в качестве предмета мебели. Вентилятор, расположенный под агрегатом компрессора, охлаждает компрессор и вращается в то время, когда работает электродвигатель компрессора. После длительного использования компрессора температура в шкафу может подниматься выше 40 °С, при этом автоматически включается охлаждающий вентилятор. После охлаждения внутренней части шкафа до 32 °С вентилятор автоматически выключается.



**Убедитесь, что нет препятствий для свободной циркуляции воздуха вокруг компрессора и под ним. Запрещается перекрывать выход горячего воздуха в верхней задней части корпуса.**

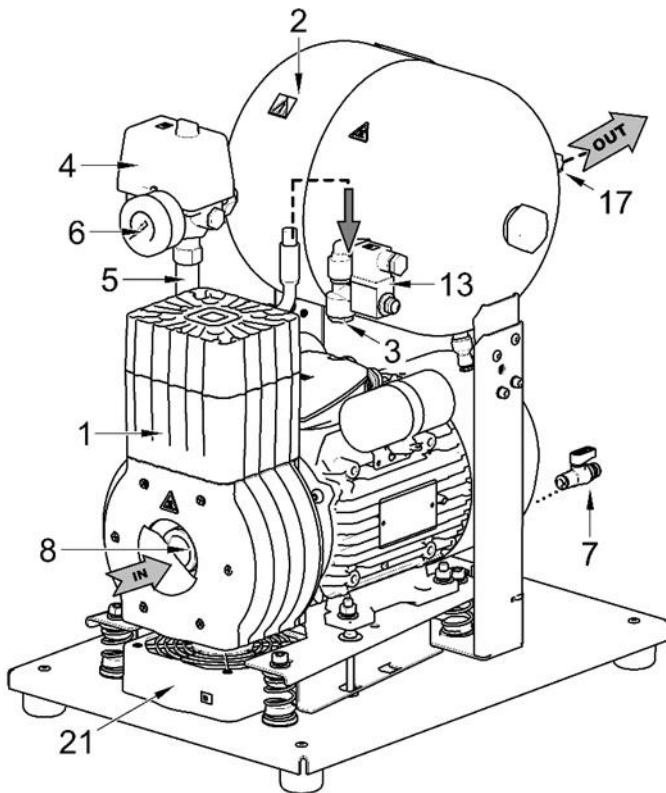


**При размещении компрессора на мягком полу, например на ковре, необходимо оставить зазор для вентиляции между основанием компрессора и полом. Для этого можно использовать опоры с твердыми прокладками.**

**Модель компрессора, рассчитанная на давление 8–10 бар, оборудована счетчиком времени наработки. (рис. 3).**

Рис. 1: Компрессор DK50-10 Z

## Описание для рисунков 1–3



- 1 Агрегат компрессора
- 2 Ресивер
- 3 Обратный клапан
- 4 Реле давления
- 5 Предохранительный клапан
- 6 Манометр
- 7 Кран слива
- 8 Входной фильтр
- 9 Осушитель
- 10 -
- 11 -
- 12 -
- 13 Электромагнитный клапан
- 14 Охладитель осушителя
- 15 Фильтр
- 16 Электромагнитный клапан слива конденсата
- 17 Выпускной воздуховод сжатого воздуха
- 18 Автоматический выключатель
- 19 Резервуар
- 20 Магнитный держатель
- 21 Вентилятор
- 22 Выключатель
- 23 Часомер
- 24 Розетка
- 25 Вентилятор шкафа

Рис. 2: DK50-10Z/M - Компрессор DK50-10Z/M с осушителем

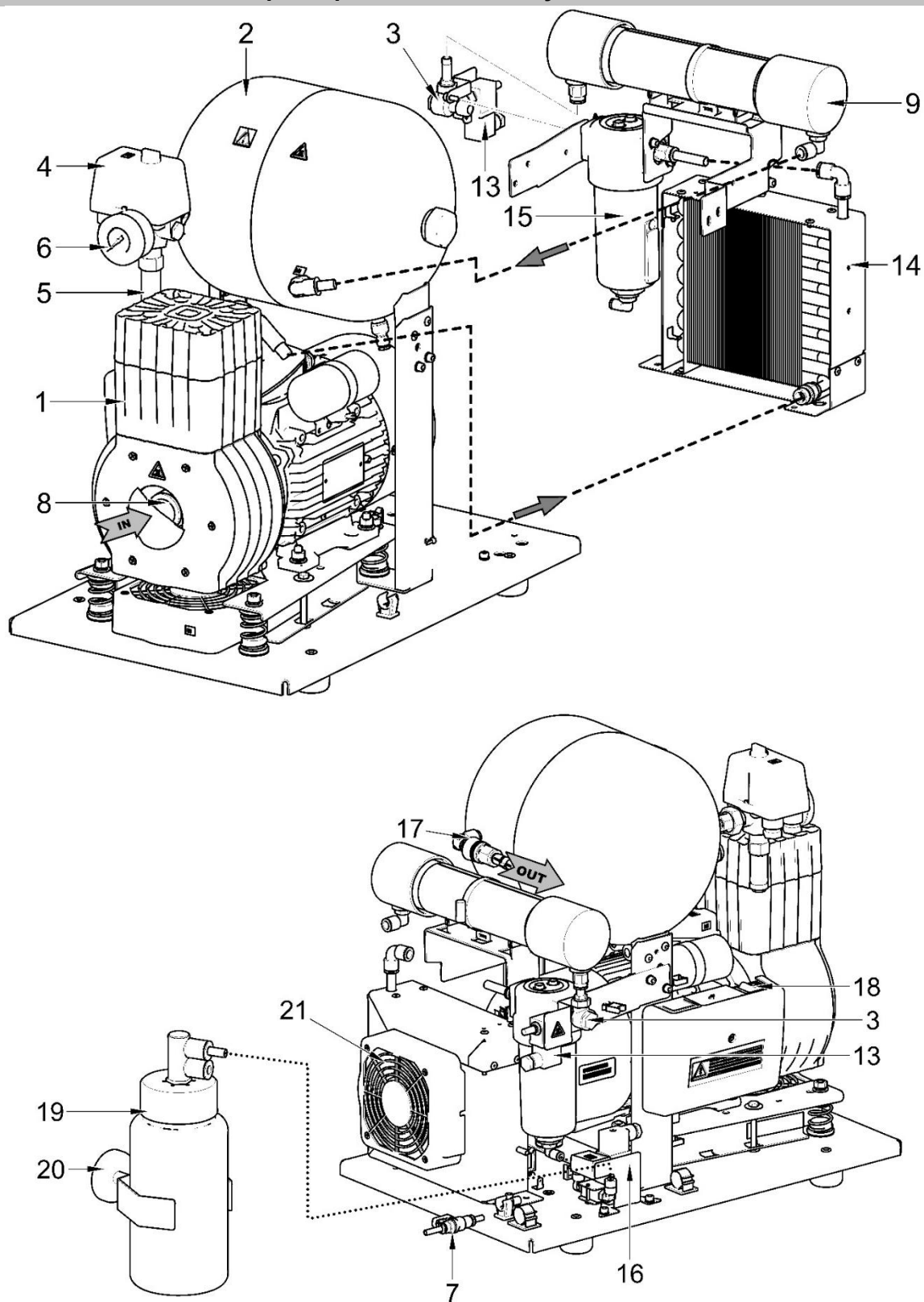
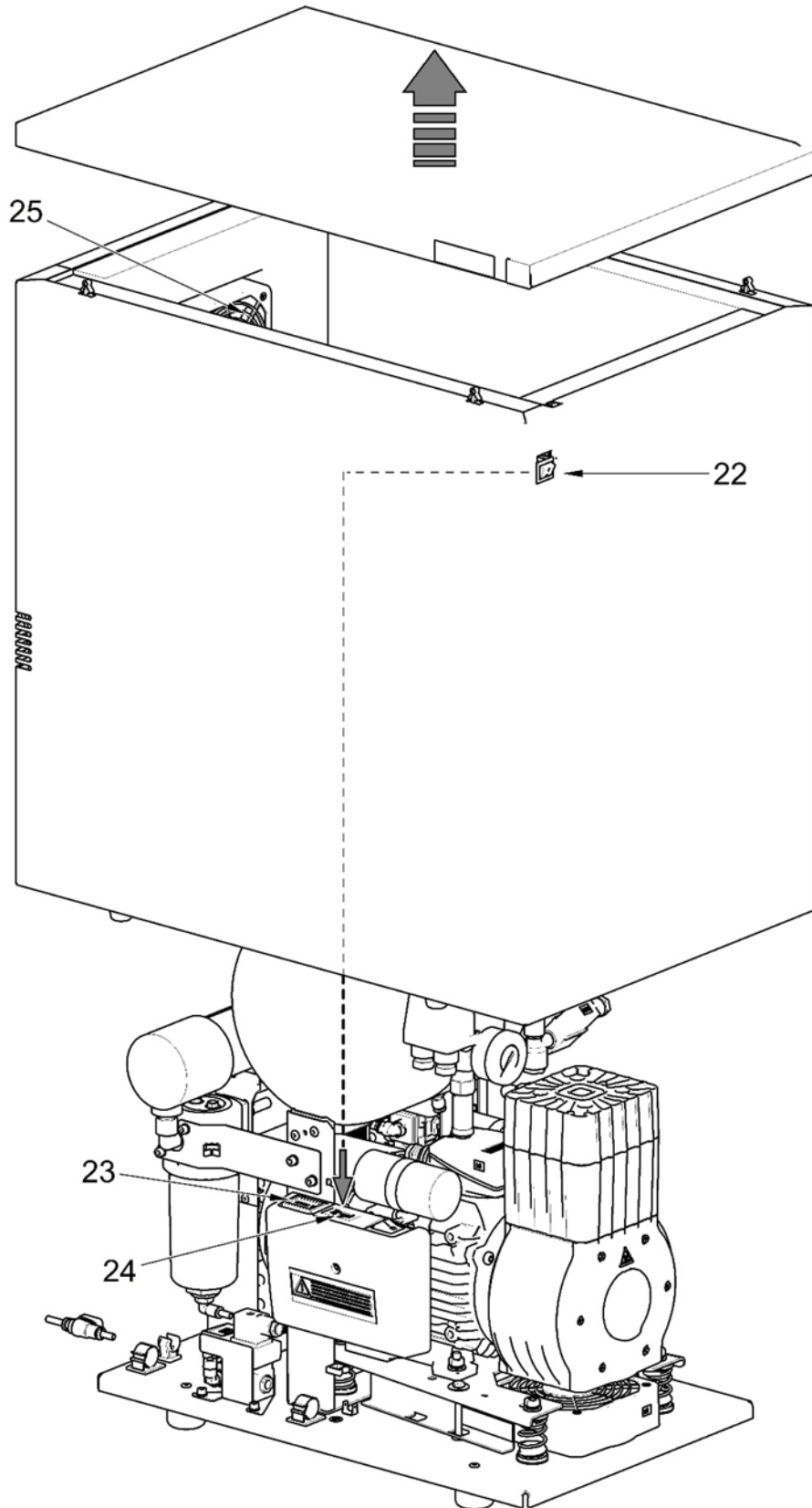
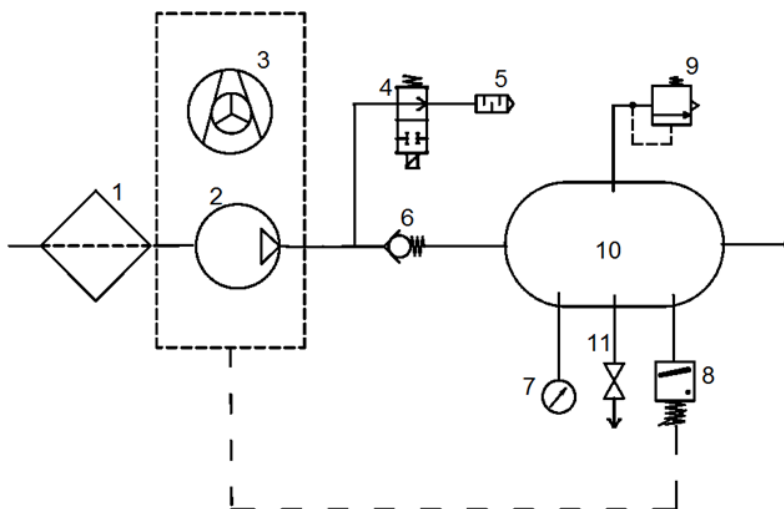


Рис. 3: Компрессор DK50-10 S/M (8-10 бар)

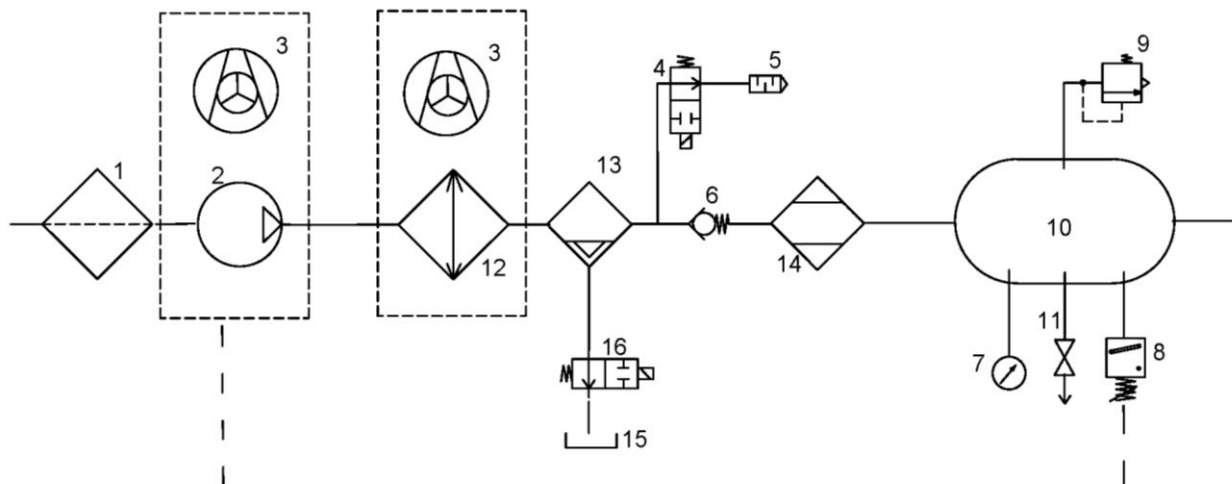


10. СХЕМА ВОЗДУШНОЙ СИСТЕМЫ

DK50-10Z, DK50-10S



DK50-10Z/M, DK50-10S/M



Условные обозначения на схеме циркуляции сжатого воздуха

- |                           |   |
|---------------------------|---|
| 1 Входной фильтр          | 9 Предохранительный клапан                  |
| 2 Компрессор              | 10 Резервуар                                |
| 3 Вентилятор              | 11 Кран слива                               |
| 4 Электромагнитный клапан | 12 Охладитель                               |
| 5 Шумогаситель            | 13 Коагуляционный фильтр                    |
| 6 Обратный клапан         | 14 Мембранный осушитель                     |
| 7 Манометр                | 15 Резервуар для сбора конденсата           |
| 8 Реле давления           | 16 Электромагнитный клапан слива конденсата |

## УСТАНОВКА

### 11. УСЛОВИЯ ЭКСПЛУАТАЦИИ

- Компрессоры можно устанавливать и эксплуатировать только в сухих, хорошо вентилируемых и чистых помещениях, условия окружающей среды в которых соответствуют требованиям, указанным в разделе 7 «Технические характеристики». Компрессор нужно устанавливать так, чтобы он был легко доступным для эксплуатации и технического обслуживания. Убедитесь, что табличка на устройстве находится на виду.
- Компрессор следует располагать на плоской и устойчивой поверхности с учетом его массы (см. раздел 7 «Технические характеристики»).
- Компрессоры нельзя эксплуатировать на открытом воздухе или во влажных либо сырых средах. Запрещается применять оборудование в помещениях с наличием взрывоопасных газов, пыли или воспламеняющихся жидкостей.
- Перед подключением компрессора к медицинскому оборудованию поставщик должен проверить его соответствие всем требованиям. Для этого см. технические характеристики этого изделия. В случае встроенной установки классификацию и оценку соответствия должен осуществить производитель или поставщик изделия.
- Использование при каких-либо других условиях либо при условиях, которые выходят за данные рамки, считается ненадлежащим. Производитель не несет ответственность за ущерб, вызванный таким использованием. Все риски принимает на себя оператор или пользователь.



Установку компрессора и ввод его в эксплуатацию должен выполнять только квалифицированный специалист. Этот специалист должен обучить представителей обслуживающего персонала эксплуатации и техническому обслуживанию устройства. Установка оборудования и подготовка всех операторов должна быть подтверждена подписью установщика на свидетельстве об установке.



Перед установкой необходимо устранить все элементы упаковки и стабилизаторы, служащие для фиксации оборудования во время транспортировки, во избежание опасности повреждения изделия.



Во время работы компрессора некоторые части агрегата могут нагреваться до высоких температур и представлять опасность для операторов или материалов. Опасность ожогов или возгорания. Внимание! Горячая поверхность!



После первого ввода изделия в эксплуатацию какое-то время может быть замечен «запах новой техники». Этот запах вскоре исчезнет, и он никак не влияет на нормальную эксплуатацию изделия. После установки убедитесь, что место установки проветривается должным образом.

### Условия окружающей среды при эксплуатации

Температура: от +5 °C до +40 °C  
Макс. относительная влажность: 70 %  
Макс. абсолютная влажность: 15 г/м<sup>3</sup>.

## 12. РАЗМЕЩЕНИЕ КОМПРЕССОРА



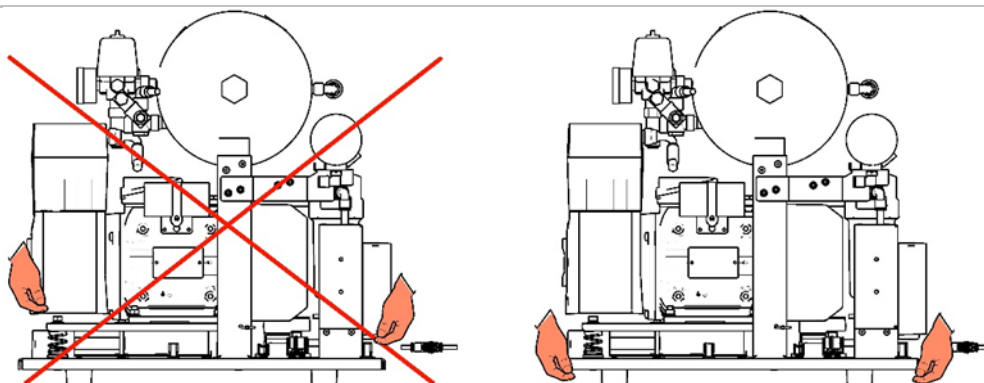
Установку устройства должен выполнять только квалифицированный специалист.

- Извлеките компрессор из упаковки.

### 12.1. Перемещение и выгрузка компрессора

- Расположите компрессор в месте будущей эксплуатации (рис. 4).

Рис. 4

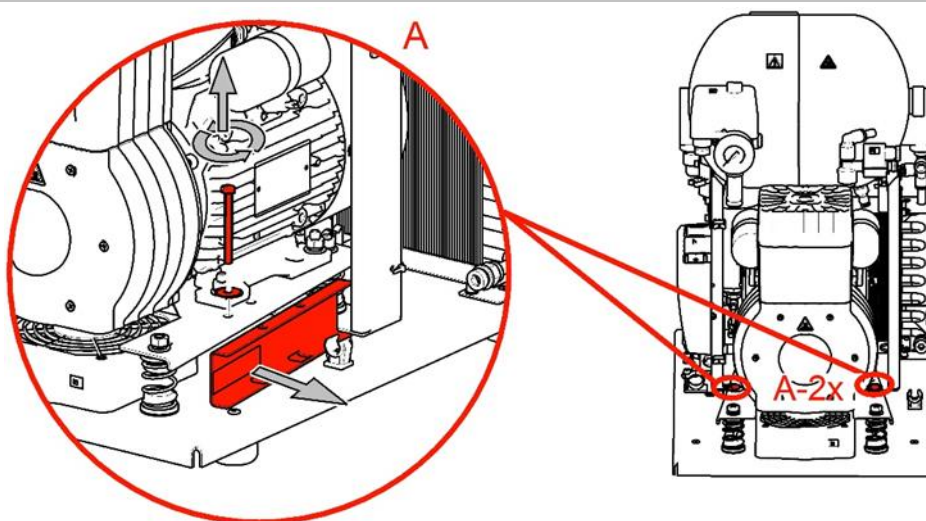


- Демонтируйте транспортировочные стабилизаторы с агрегатов (рис. 5).



После монтажа компрессорной установки демонтируйте все приспособления, использовавшиеся для защиты агрегатов компрессора.

Рис. 5



## 13. ПНЕВМАТИЧЕСКИЕ СОЕДИНЕНИЯ

### 13.1. Подключение к выпускному воздухопроводу сжатого воздуха (рис. 6)

Подсоедините один конец напорного шланга со скользящим быстроръемным соединителем (1) к выпускному воздухопроводу сжатого воздуха (2) компрессора, а другой — к системе подачи сжатого воздуха или непосредственно к целевому устройству (в данном случае — к стоматологическому оборудованию).



Рис. 6



Для компрессоров, смонтированных в шкафах, проложите напорный шланг через отверстие в задней стенке шкафа. (рис. 7)

### 13.2. Подключение резервуара для конденсата (рис. 7)

- При использовании компрессора с осушителем подсоедините сливной шланг к резервуару для сбора конденсата.
- Проведите шланг через отверстие в задней стенке шкафа (для моделей компрессоров с осушителем) и присоедините его к резервуару.



Рис. 7



## 14. ЭЛЕКТРИЧЕСКИЕ СОЕДИНЕНИЯ

Изделие поставляется в комплекте с заземленной вилкой.



**Убедитесь, что полностью соблюдены все местные электротехнические правила и нормы. Напряжение и частота электросети должны соответствовать данным, указанным на этикетке устройства.**

- Розетка должна находиться в легкодоступном месте, чтобы в экстренной ситуации можно было безопасно отключить устройство от сети.
- Сила тока, поступающего из распределительного шкафа, не должна превышать 16 А.



**Шкаф компрессора DK50-10S/M (модель, рассчитанная на давление 10 бар)** оснащен охлаждающим вентилятором и реле. С помощью входящего в комплект поставки шнура со штекером необходимо подключить **шкаф** к соответствующему разъему на электрической панели компрессора (рис. 4).



Не допускайте контакта электрического кабеля с нагревающимися компонентами компрессора. Опасность поражения электрическим током!



Любой поврежденный электрический шнур или воздушный шланг необходимо немедленно заменить.

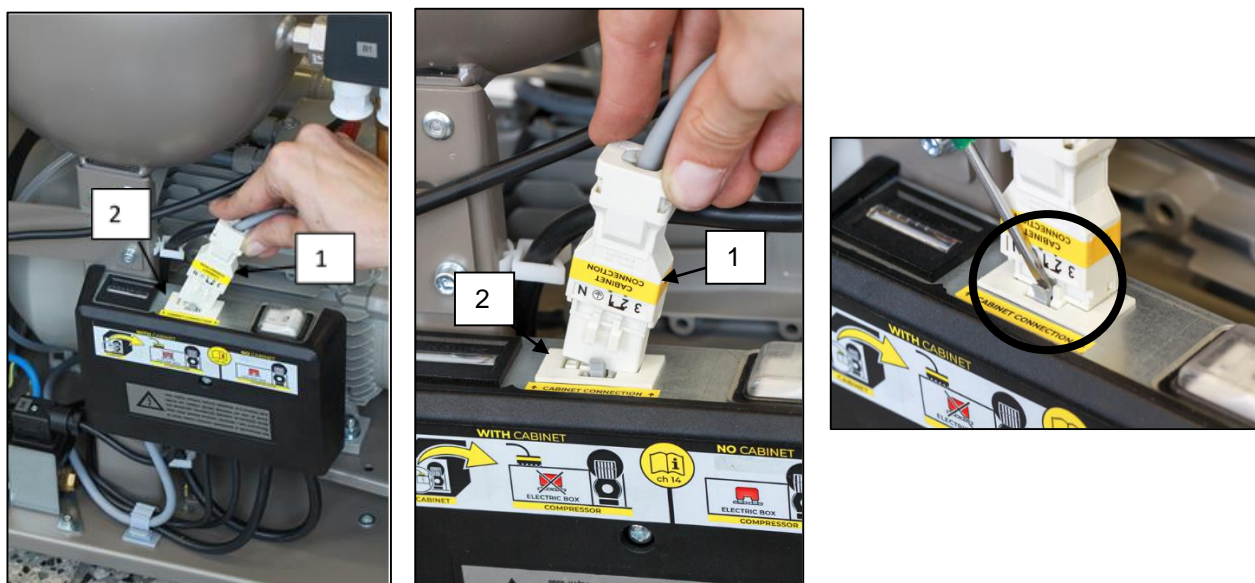
#### 14.1. Подключение компрессора, не установленного в шкаф

- Вставьте вилку в розетку номинального напряжения.
- Компрессор готов к эксплуатации.

#### 14.2. Подключение компрессора, установленного в шкаф

- Выведите вилку сетевого шнура через отверстие в задней стенке шкафа.
- Подключите шкаф DK50-10S/M (только для моделей, рассчитанных на давление 8–10 бар) к компрессору, вставив поставляемый в комплекте шнур питания со штекером (1) в розетку. (Рис. 8.)
- Отключите шкаф от компрессора, открыв защелку и вынув штекер (1) из розетки.

Рис.. 8



15. СХЕМА ЭЛЕКТРИЧЕСКИХ СОЕДИНЕНИЙ

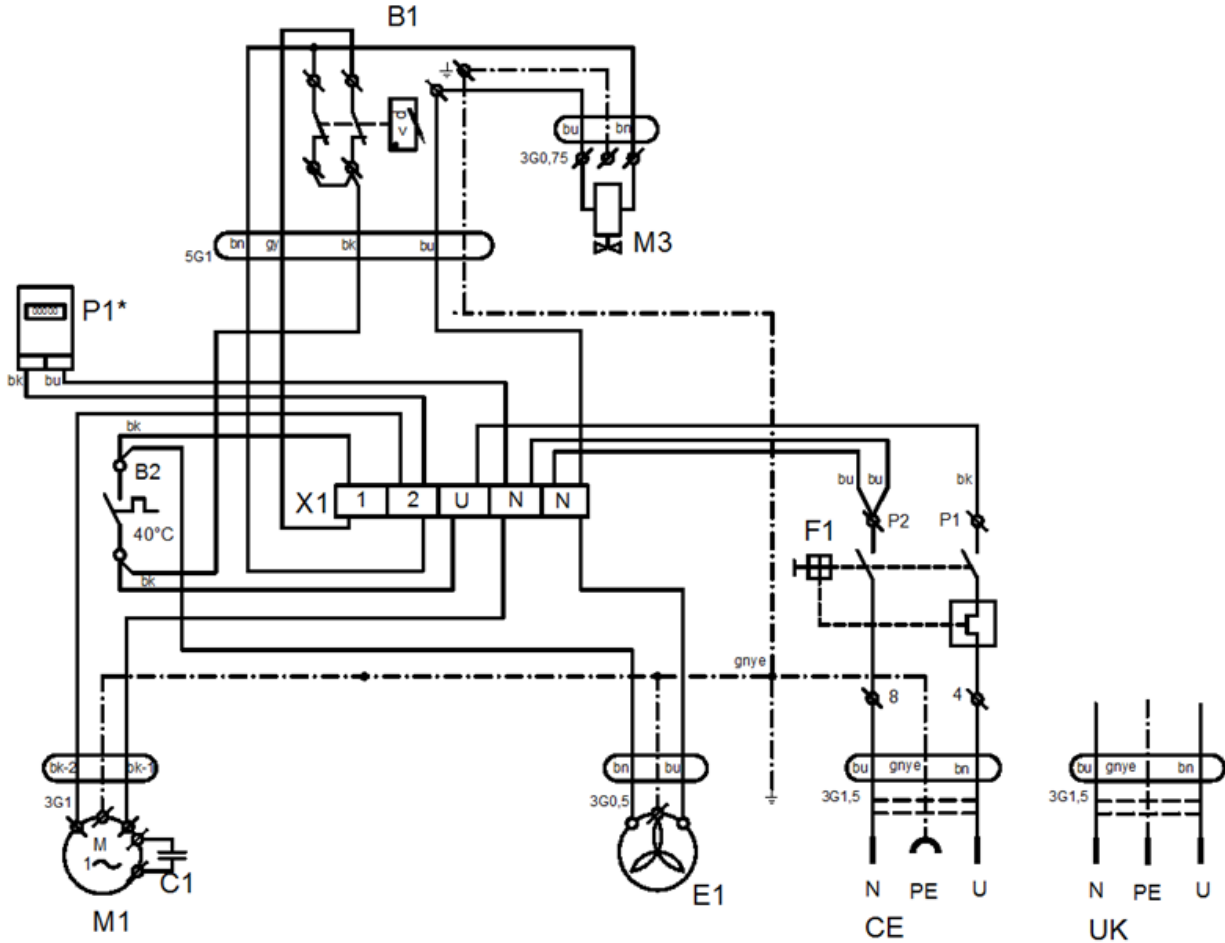
DK50-10Z, DK50-10S

5 - 7 бар, 6 - 8 бар, 8 - 10 бар

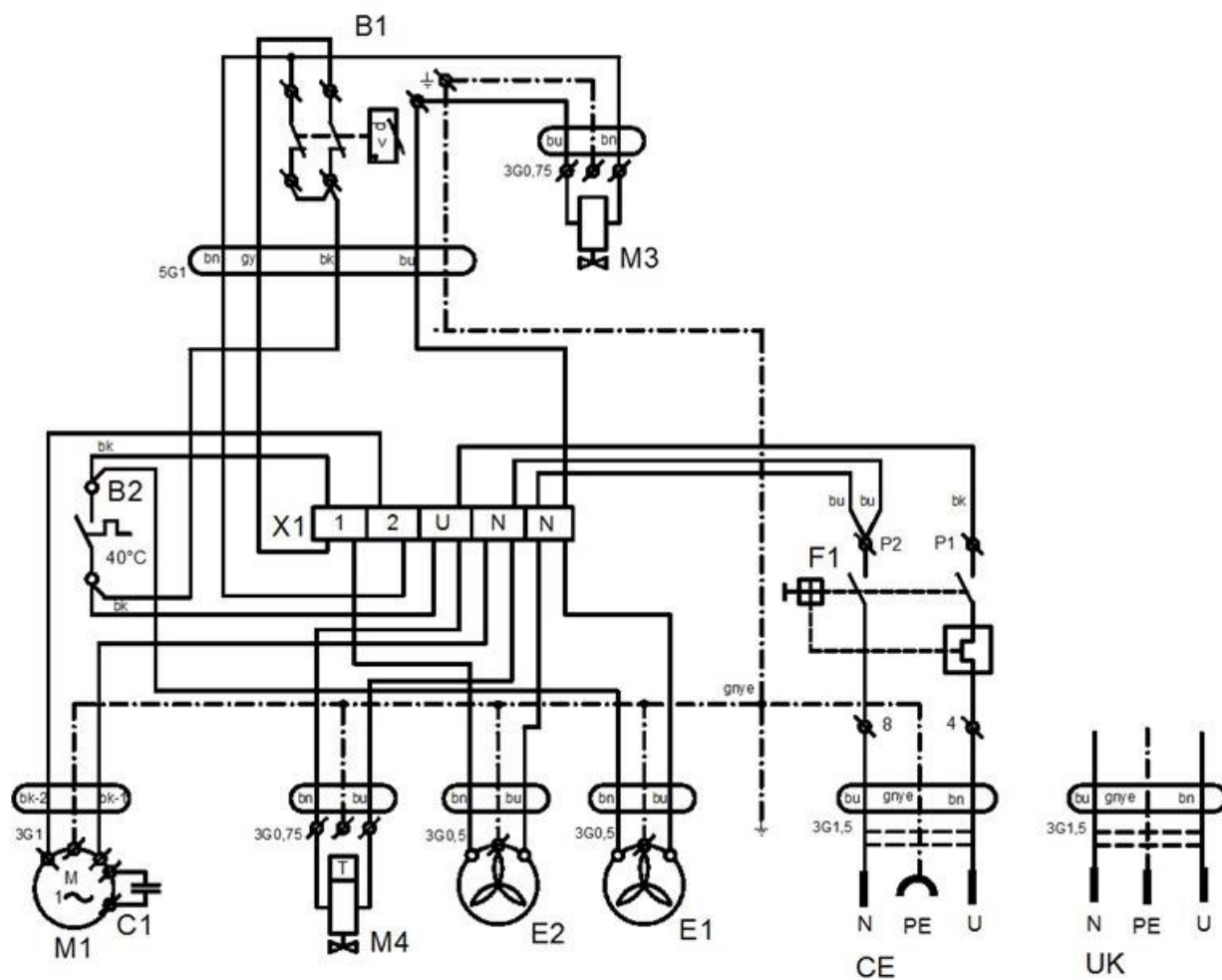
1/N/PE 230 В, 50/60 Гц

115 В, 60 Гц

ЭЛЕКТРИЧЕСКИЙ ОБЪЕКТ 1-й КАТЕГОРИИ



P1\* - часомером оборудована только модель компрессора с давлением 8–10 бар



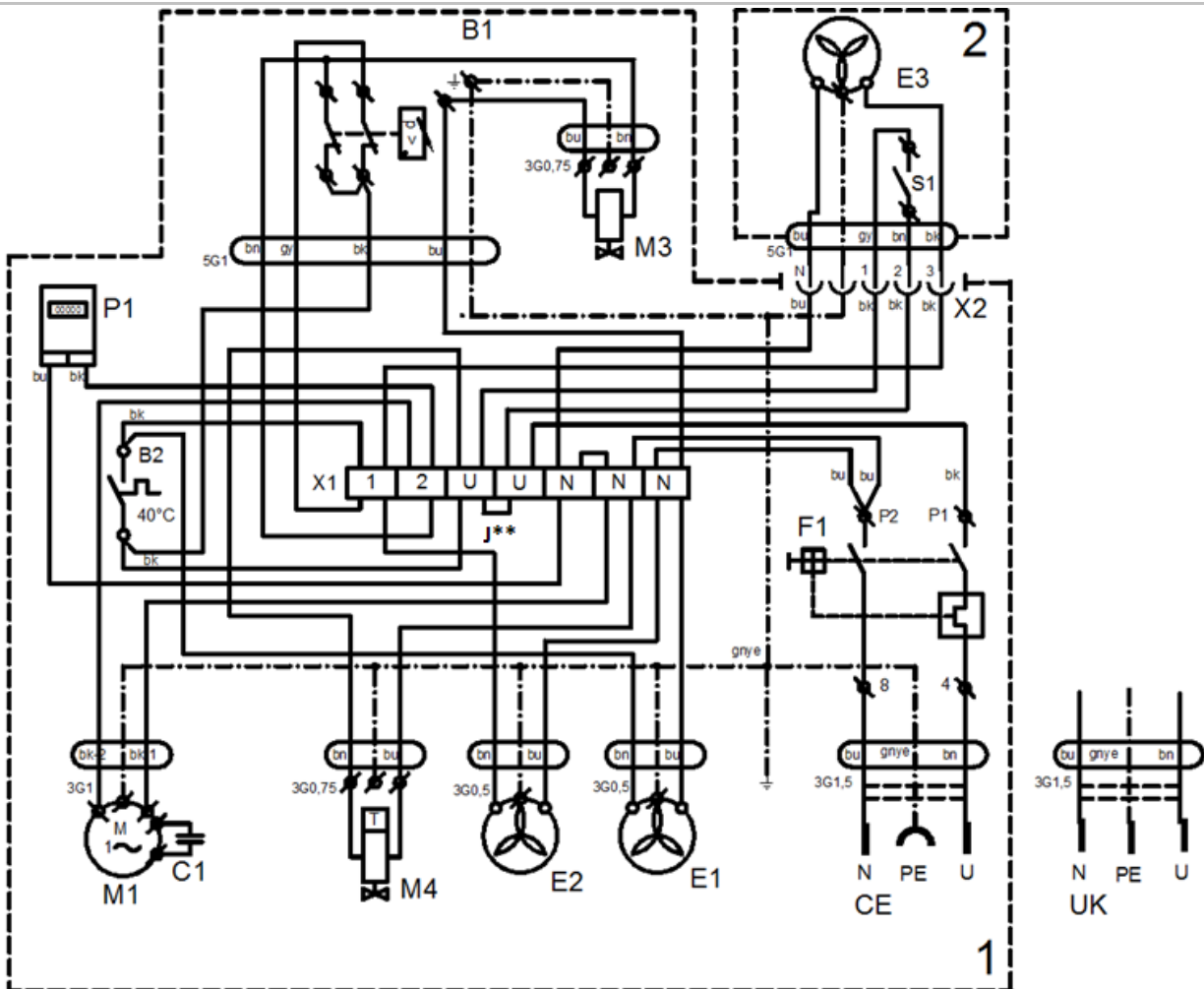
**DK50-10Z/M, DK50-10S/M**

**8 - 10 бар**

1/N1PE 230 В, 50/60 Гц

115 В, 60 Гц

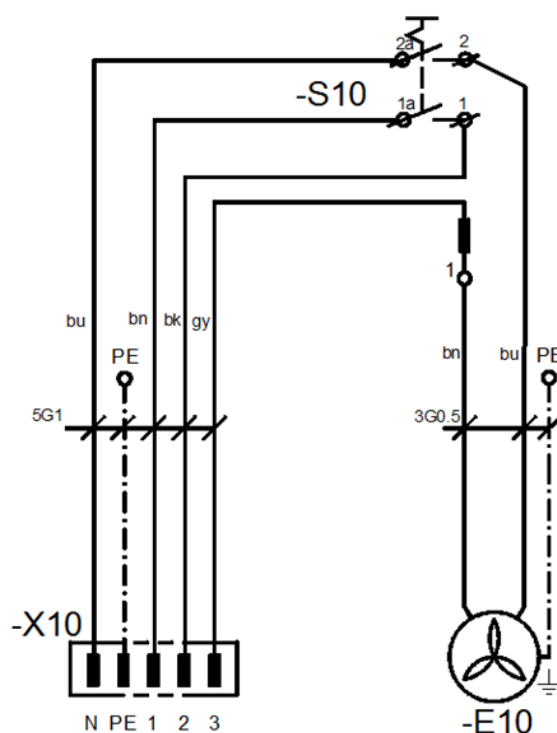
ЭЛЕКТРИЧЕСКИЙ ОБЪЕКТ 1-й КАТЕГОРИИ



J\*\* - перемычка устанавливается только для моделей компрессоров, не устанавливаемых в шкаф (глава 19.10)

1 - компрессор  
2 - шкаф

P1\* - часомером оборудована только модель компрессора с давлением 8–10 бар


**Условные обозначения на электрической схеме**

M1	Двигатель компрессора	C1	Конденсатор
E1	Вентилятор компрессора	B1	Реле давления
E2	Вентилятор осушителя	X1	Распределительная коробка
M3	Предохранительный клапан	F1	Автоматический выключатель
B2	Термореле	M4	Клапан для слива конденсата
E3, E10	Вентилятор шкафа	P1	Счетчиком времени наработки
X10, X2	Разъем	S10	Выключатель

## ЭКСПЛУАТАЦИЯ



**ОБОРУДОВАНИЕ МОЖЕТ ОБСЛУЖИВАТЬ ТОЛЬКО ПЕРСОНАЛ, ПРОШЕДШИЙ ИНСТРУКТАЖ!**



**ПРИ ВОЗНИКНОВЕНИИ ЭКСТРЕННОЙ СИТУАЦИИ ОТКЛЮЧИТЕ КОМПРЕССОР ОТ ЭЛЕКТРОСЕТИ (ВЫТАЩИТЕ СЕТЕВУЮ ВИЛКУ).**



**НЕКОТОРЫЕ ПОВЕРХНОСТИ АГРЕГАТА КОМПРЕССОРА СИЛЬНО НАГРЕВАЮТСЯ.**

**ПРИКОСНОВЕНИЕ К ТАКИМ ПОВЕРХНОСТЯМ МОЖЕТ ПРИВЕСТИ К ОЖОГАМ ИЛИ ВОЗГОРАНИЮ.**



**При длительной работе компрессора температура в шкафу может превысить 40 °С. При этом автоматически включается охлаждающий вентилятор. После охлаждения внутренней части шкафа до температуры ниже 32 °С вентилятор отключается.**



**Автоматический запуск: когда давление в ресивере понижается до уровня включения, компрессор автоматически включается. Компрессор автоматически выключается, когда давление в ресивере достигает уровня отключения.**



**Параметры рабочего давления для реле давления, заданные производителем, невозможно изменить. Работа компрессора при рабочем давлении ниже уровня включения свидетельствует о большом потреблении воздуха подключенным устройством (см. раздел «Неисправности»).**



**Необходимая степень осушения воздуха достигается только при указанных условиях эксплуатации.**



**Степень осушения воздуха (и, соответственно, температура конденсации) снижается, если рабочее давление не достигает минимального!**



**ЕСЛИ ОСУШИТЕЛЬ РАБОТАЕТ ПРИ ТЕМПЕРАТУРЕ ОКРУЖАЮЩЕЙ СРЕДЫ, КОТОРАЯ ВЫШЕ МАКСИМАЛЬНОЙ РАБОЧЕЙ ТЕМПЕРАТУРЫ, ОСУШИТЕЛЬ МОЖЕТ ВЫЙТИ ИЗ СТРОЯ.**

## **16. ВВОД В ЭКСПЛУАТАЦИЮ**

- Убедитесь, что сняты транспортные стабилизаторы.
- Проверьте надежность всех соединений на линии подачи сжатого воздуха.
- Убедитесь, что компрессор надлежащим образом подключен к источнику питания.
- Проверьте автоматический выключатель: он должен находиться в положении I. Если выключатель (4) находится в положении 0, поверните его в положение I (рис. 9).
- Убедитесь, что шкаф DK50-10S/M (только для моделей, рассчитанных на давление 8–10 бар) подключен к компрессору с помощью кабеля с разъемом (рис. 3).
- Для компрессоров DK50-10 S/M (рассчитанных на давление 8–10 бар): поверните выключатель (5) на передней стенке шкафа в положение I. Зеленый индикатор показывает рабочее состояние устройства (рис. 9).



**Компрессор не укомплектован резервным источником питания.**

## 17. ВКЛЮЧЕНИЕ КОМПРЕССОРА

(рис. 9)

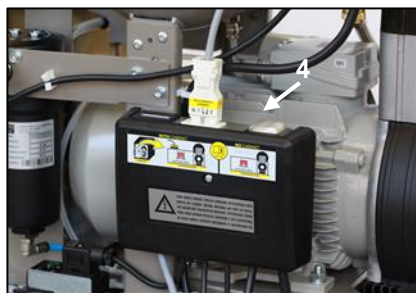
Запустите компрессор (без шкафа), повернув переключатель (2) на реле давления (1) в положение «I». В результате компрессор будет запущен, а бак заполнен до уровня выключающего давления, после чего компрессор отключится..

Запустите компрессор DK50-10 S/M (рассчитанных на давление 8–10 бар) (со шкафом), повернув выключатель (5) на передней стороне шкафа. Индикатор начнет светиться зеленым цветом. В результате компрессор будет запущен, а бак заполнен до уровня выключающего давления, после чего компрессор отключится.

Затем компрессор будет работать в автоматическом режиме; реле давления будет включать и выключать его в зависимости от потребления сжатого воздуха.

Значения уровней давления включения и выключения можно проверить на манометре (3). Допускается погрешность до  $\pm 10\%$ . Давление воздуха в ресивере не должно превышать допустимое рабочее давление.

Рис. 9



DK50-10S/M 8-10bar



**Запрещено изменять диапазон реле давления компрессора. Переключатель давления (1) настроен производителем, его параметры может изменять только квалифицированный технический специалист, прошедший обучение у производителя.**

**Компрессор.** При первом запуске и введении в эксплуатацию компрессор наполняет ресивер до уровня давления срабатывания, пока реле давления не выключит компрессор. Затем компрессор работает в автоматическом режиме, включаясь и выключаясь с помощью реле давления в зависимости от потребления сжатого воздуха.

**Компрессор с осушителем.** Компрессор работает в описанном выше режиме, но с одним исключением: сжатый воздух проходит через охладитель, и последний удаляет влагу из воздуха.

## 18. ВЫКЛЮЧЕНИЕ КОМПРЕССОРА

(рис. 9)

Чтобы выключить компрессор для выполнения технического обслуживания или по другой причине, поверните переключатель (2) на реле давления (1) в положение 0 и **выньте вилку из розетки электросети**. В результате компрессор будет отсоединен от источника питания. Сравните давление в воздухохборнике до нулевой отметки, открыв спускной клапан. (Рис. 10)

## ТЕХНИЧЕСКОЕ ОБСЛУЖИВАНИЕ

### 19. ТЕХНИЧЕСКОЕ ОБСЛУЖИВАНИЕ УСТРОЙСТВА

#### **Внимание!**

Оператор должен проводить испытание устройства не реже одного раза в 24 месяца (по стандарту EN 62353) или с периодичностью, указанной в действующих местных нормативных актах. Результаты испытаний (например, в соответствии с приложением G стандарта EN 62353), а также методы исследования должны быть задокументированы в письменном виде.

Устройство спроектировано и изготовлено таким образом, чтобы свести техническое обслуживание к минимуму. Чтобы обеспечить надлежащую и надежную работу компрессора, необходимо выполнить описанные ниже работы.



Прежде чем приступить к техническому обслуживанию компрессора, убедитесь, что он отключен от соответствующего устройства. Это позволит исключить риск для лиц, использующих это устройство, и избежать материального ущерба.



Во время работы компрессора компоненты агрегата (крышка, цилиндр, напорный шланг и т. д.) сильно нагреваются и остаются горячими некоторое время после его выключения, поэтому не прикасайтесь к ним.



Ремонтные работы, которые выходят за рамки обычного технического обслуживания, должны осуществлять только квалифицированные сотрудники или представители производителя. Используйте только те запасные части и принадлежности, которые утверждены производителем.



**ПРИ СТРАВЛИВАНИИ ДАВЛЕНИЯ ИЗ ЛИНИИ СЖАТОГО ВОЗДУХА (РЕСИВЕРА) ИСПОЛЬЗУЙТЕ ЗАЩИТНЫЕ ОЧКИ.**

Модель компрессора, рассчитанная на давление 8–10 бар, оборудована счетчиком времени наработки. (рис. 4)

К описанным ниже работам следует допускать только обученных сотрудников.



**ПЕРЕД НАЧАЛОМ ЛЮБЫХ РАБОТ ПО ТЕХНИЧЕСКОМУ ОБСЛУЖИВАНИЮ ОТКЛЮЧИТЕ КОМПРЕССОР ОТ ЭЛЕКТРОСЕТИ (ВЫТАЩИТЕ ВИЛКУ СЕТЕВОГО ШНУРА ИЗ РОЗЕТКИ ЭЛЕКТРОСЕТИ) И СТРАВИТЕ ДАВЛЕНИЕ ИЗ РЕСИВЕРА.**



Прежде чем приступать к техническому обслуживанию либо подключать или отключать подачу сжатого воздуха, позвольте оборудованию остыть.



Если в процессе обслуживания заземляющий контакт был отсоединен, подсоедините его обратно по окончании работ.

Для любых работ по техобслуживанию или ремонту компрессор можно извлечь из шкафа, вытянув его оттуда (при помощи роликов, на расстояние, на которое позволяет его вытянуть длина шнура между компрессором и шкафом). См. также главу 19. После этого можно провести необходимые работы по обслуживанию или ремонту.

Если отсоединить шнур, связывающий компрессор и шкаф (вынуть вилку из розетки, глава 14.2), компрессор не будет работать. Чтобы вернуть компрессор в рабочее состояние, следуйте инструкциям в главе 14.2, 19.10 или 19.11.

## 19.1. Периодичность технического обслуживания

Интервал <sup>e)</sup>	50 Гц		Раз в день	Раз в неделю	Раз в год	Раз в 2 года	Каждые								Раздел	Комплект запчастей	Исполнитель			
	60 Гц	в день					в неделю	в год	в 2 года	2000 часов	4000 часов	6000 часов	8000 часов	10000 часов				12000 часов	1600 часов	3200 часов
Эксплуатационные проверки изделия			x															19.2	-	Пользователь
Слив конденсата из резервуара (при высокой относительной влажности <sup>b)</sup> - Освобождение резервуара от конденсата <sup>d)</sup>			x															19.5	-	Пользователь
Слив конденсата из резервуара <sup>b)</sup> (при нормальной относительной влажности)				x														19.5	-	Пользователь
Функциональная проверка изделия				x														9	-	Пользователь
Проверка соединений на утечки и осмотр устройства					x													19.3	-	Квалифицированный персонал
Проверка электрических соединений					x													19.4	-	Квалифицированный персонал
Проверка охладителя и вентилятора					x													19.9	-	Квалифицированный персонал
Замена фильтрующего элемента в фильтре осушителя					x													19.8	025200304-000	Квалифицированный персонал
Проверка предохранительного клапана					x													19.6	-	Квалифицированный персонал
Замена входного фильтра на агрегате						x												19.7	025200126-000	Квалифицированный персонал
Проведение повторных испытаний в соответствии со стандартом EN 62353						x												19.		Квалифицированный персонал

a) Данные указываются в часах. В противном случае — в годах

b) Только для компрессоров без осушителей

c) Для моделей компрессоров с частотой 60 Гц: уменьшите на 20 % временной интервал в часах (2000h./1600h., 4000h./3200h., 6000h./4800h., 8000h./6400h., 10000h./8000h., 12000h./9600h.)

d) Только для компрессоров с осушителями

## 19.2. Эксплуатационные проверки

- Проверьте состояние агрегата — он должен нормально функционировать без излишних вибрации и шума. В случае выявления проблемы устраните ее или обратитесь к обслуживающему персоналу.
- Визуально осмотрите вентиляторы — они должны работать вместе с агрегатами. В случае выявления проблемы устраните ее или обратитесь к обслуживающему персоналу.
- Проверьте силовую кабель и пневматические шланги на предмет повреждений. Замените поврежденные компоненты или обратитесь к обслуживающему персоналу.
- Проверьте температуру окружающей среды — она должна быть ниже предельного значения (40 °С). В противном случае охладите помещение.
- Для компрессора с осушителем: открутите крышку на резервуаре для сбора конденсата и слейте конденсат.

## 19.3. Проверка пневматического соединения на утечки и осмотр устройства

### Проверка на утечки

- Выполните проверку пневматических соединений на утечки при работе компрессора (нагнетании воздуха).
- Чтобы проверить все соединения на утечки, воспользуйтесь анализатором утечек или мыльной водой. В случае выявления утечки затяните соответствующие соединения или поменяйте в них уплотнение.

### Осмотр устройства

- Проверьте агрегат компрессора на предмет нормальной работы и уровня шума.
- Проверьте работу вентиляторов: вентиляторы должны работать в течение определенных рабочих циклов компрессора.
- Проверьте работу температурного переключателя (B2): разогрейте температурный переключатель до уровня выше 40 °С (например, с помощью теплового фена), стараясь не расплавить пластиковые элементы вокруг него. Если компрессор подсоединен к источнику питания, вентилятор EV1 (или EV2, если это компрессор с осушителем) запустится, как только температура достигнет отметки в 40 °С.
- Проверьте состояние фильтра: фильтры должны быть целыми и достаточно чистыми.
- Проверьте состояние самого агрегата и убедитесь, что картер не загрязнен изнутри, а коленчатый вал не люфтит.

В случае необходимости замените дефектные элементы.

## 19.4. Проверка электрических соединений



**Проверку электрических соединений необходимо выполнять при отключенном питании.**

### Проверка

- Проверьте механическую работу основного переключателя.
- Убедитесь, что силовой кабель и подсоединенная проводка не повреждены.
- Визуально осмотрите соединение отдельных кабелей с клеммной колодкой.
- Осмотрите все винтовые зажимы на проводнике общего заземления желто-зеленого цвета.

### 19.5. Слив конденсата

#### Компрессоры (рис. 10)

При обычной эксплуатации рекомендуется сливать конденсат из напорного резервуара. Отключите компрессор от электросети и уменьшите давление в нем (до 1 бара или меньше). Это можно сделать, стравив воздух через подсоединенное устройство. Поместите шланг со сливным краном в заранее подготовленный резервуар и откройте сливной кран (1), чтобы удалить конденсат из ресивера.

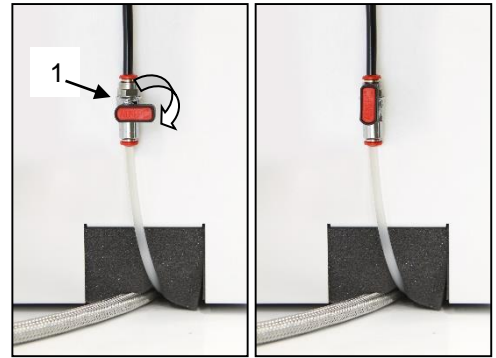


Рис. 10



**Медленно и аккуратно откройте сливной клапан. Быстрое открытие сопровождается громким звуком и неконтролируемым выбросом скопившегося конденсата.**

Модели компрессоров без осушителя могут быть оборудованы системой автоматического слива конденсата, позволяющей сливать его без участия оператора (см. главу 8.2).

#### Компрессоры с осушителем (рис. 11)

Конденсат из компрессоров с осушителями воздуха автоматически сливается в соответствующий резервуар. Необходимо периодически опустошать резервуар.



Рис. 11



**Отслеживайте уровень в резервуаре, руководствуясь отметками 1 л и 2 л (в зависимости от объема резервуара), и сливайте конденсат не реже одного раза в день. Если не сливать конденсат из резервуара с определенным интервалом, он может переполниться.**



**При переполнении резервуара возникает опасность поскользнуться на мокром полу.**



**ПРЕЖДЕ ЧЕМ ПРИСТУПИТЬ К ЛЮБЫМ ПРОВЕРКАМ, ВЫПОЛНИТЕ УКАЗАННЫЕ НИЖЕ ДЕЙСТВИЯ.**

Для компрессоров DK50-10S и DK50-10S/M, оснащенных шкафом: снимите или поднимите корпус.

Для компрессора модели DK50-10S/M (рассчитанного на давление 10 бар) со шкафом: снимите кожух шкафа, отключите разъем шкафа от разъема компрессора и снимите или поднимите корпус.

### 19.6. Проверка предохранительного клапана

(рис. 11)

При первом запуске компрессора проверьте правильность работы предохранительного клапана. Поверните винт (2) предохранительного клапана (1) на несколько оборотов влево, пока воздух не начнет выходить через клапан. Стравливайте воздух через предохранительный клапан всего лишь несколько секунд. Закройте клапан, повернув винт (2) вправо до упора.



Рис. 12



Никогда не используйте предохранительный клапан для сброса давления в ресивере. Это может повредить предохранительный клапан. Максимально допустимое давление для клапана настроено производителем. Регулировка запрещена!



**ВНИМАНИЕ! СЖАТЫЙ ВОЗДУХ ОПАСЕН, ТАК КАК СУЩЕСТВУЕТ РИСК ПОВРЕЖДЕНИЯ ГЛАЗ! РИСК ПОВРЕЖДЕНИЯ ГЛАЗ.**

### 19.7. Замена входного фильтра

(рис. 13)

- Вручную извлеките резиновую заглушку (2).
- Выньте загрязненный входной фильтр (1).
- Вставьте новый фильтр и установите резиновую заглушку.

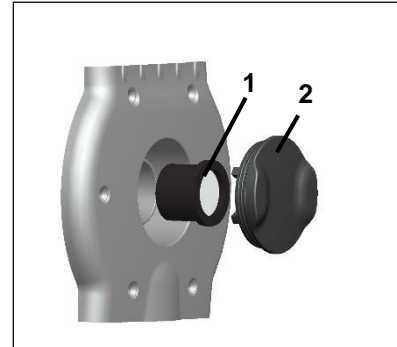


Рис. 13

### 19.8. Замена фильтрующего элемента

(рис. 14)

- Отсоедините шланг (1) от быстросъемного соединителя.
- С помощью ключа (2) отвинтите контейнер фильтра (3) и снимите его.
- Потяните за фильтрующий элемент (4), чтобы вынуть его.
- Вставьте новый фильтрующий элемент.
- Поставьте на место контейнер фильтра.
- Аккуратно закрепите контейнер фильтра с помощью ключа.
- Снова подсоедините шланг к быстросъемному соединителю.

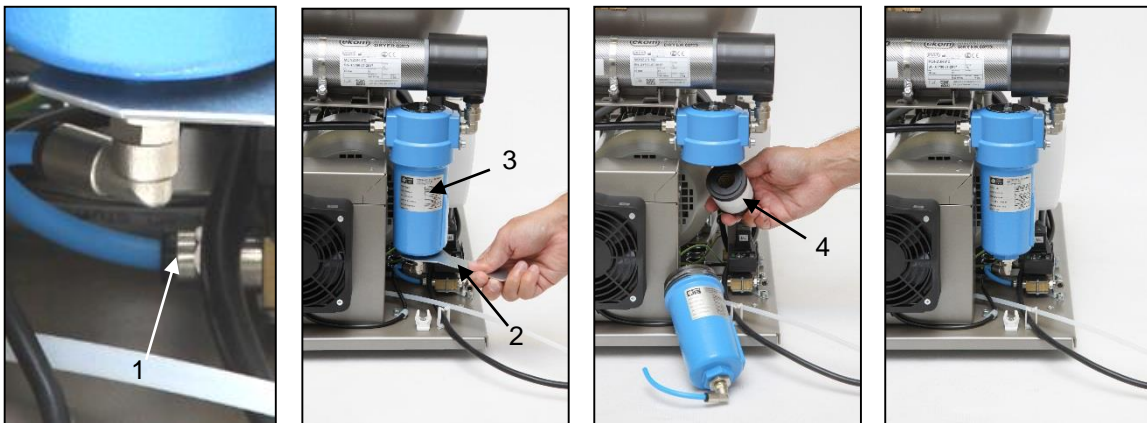


Рис. 14

### 19.9. Проверка охладителя и вентилятора (рис. 3)

Чтобы обеспечить эффективное осушение, необходимо содержать в чистоте оборудование, особенно вентилятор компрессора, вентилятор охладителя (21) и охладитель (14). Удаляйте пыль с поверхности вентилятора и ребер охладителя пылесосом или продувайте их сжатым воздухом.

### 19.10. Процедура подключения компрессора, отсоединенного от шкафа



Перед любым техническим обслуживанием или ремонтом компрессор необходимо выключить и отсоединить от сети (вытащить сетевой штепсель из розетки).

Для правильной работы компрессора (без шкафа) в клеммной колодке обязательно должна быть установлена перемычка (рис. 15, поз. В). Она заменяет переключатель на шкафу.



Если в клеммной колодке компрессора (отсоединенного от шкафа) нет перемычки, компрессор работать не будет!

Если отсоединить шнур, соединяющий компрессор и шкаф (вынуть вилку из розетки), и извлечь компрессор из шкафа, он не будет работать. По этой причине необходимо сначала создать соединение в клеммной колодке при помощи перемычки (заменив им функцию автоматического выключателя) (рис. 15).

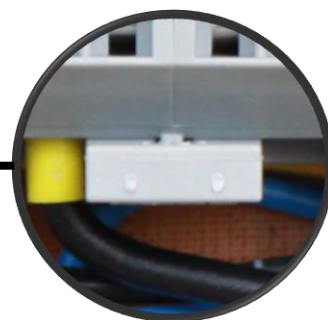
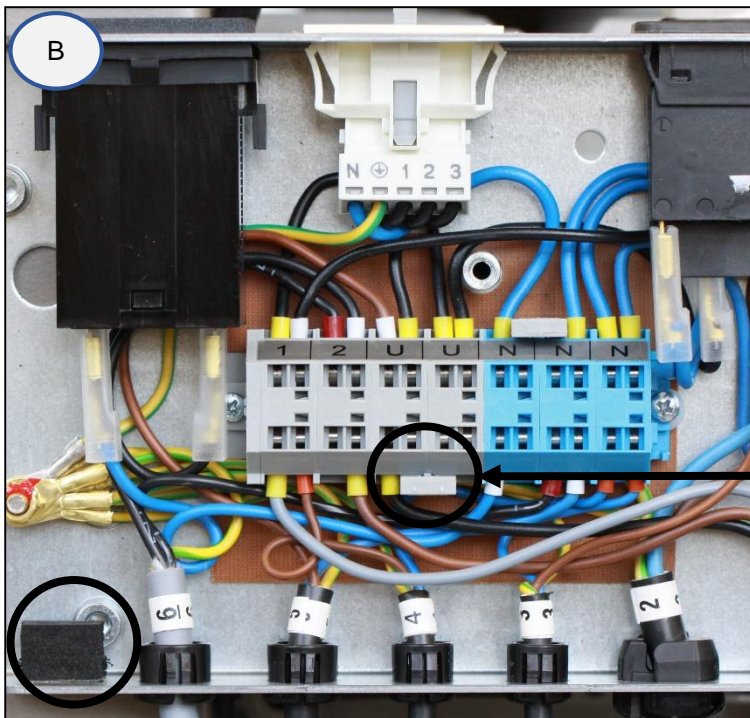
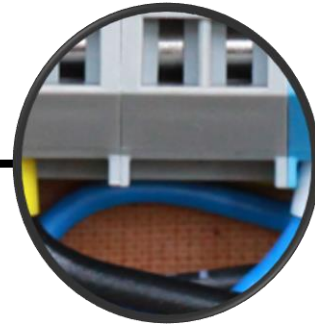
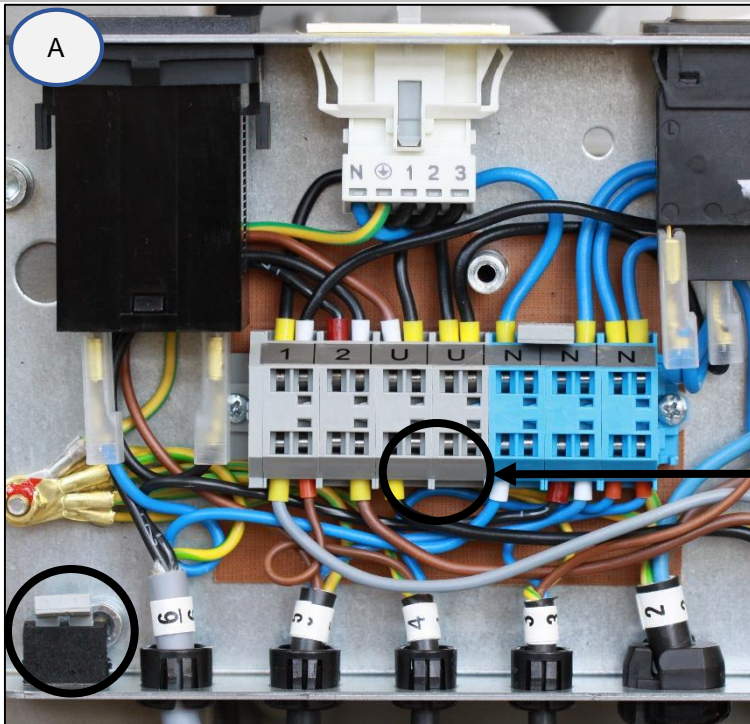
#### ПРОЦЕСС (рис. 15):

##### Установка перемычки (процесс А-В)

- Отключите изделие от электрической сети, вынув вилку из розетки.
- Снимите крышку электрической панели (на компрессоре).
- Перемычка не установлена в клеммную колодку – А.
- Вставьте перемычку в клеммную колодку – В.
- Установите на место крышку электрической панели.
- Подключите устройство к электросети.
- Запустите компрессор с помощью выключателя на реле давления.

При эксплуатации компрессора вне шкафа **ОБЯЗАТЕЛЬНО** установите подключение к электросети с помощью перемычки (рис. 15, поз. В).

Рис. 15



230V

### 19.11. Процедура подключения компрессора к новому шкафу



**Перед любым техническим обслуживанием или ремонтом компрессор необходимо выключить и отсоединить от сети (вытащить сетевой штепсель из розетки).**

Для правильной работы компрессора, установленного в шкафу, требуется, чтобы в клеммную колодку не была вставлена перемычка (рис. 15, поз. А). Переключатель на шкафу включает и выключает все изделие, в том числе компрессор.



**Если в клеммной колодке компрессора, подключенного к шкафу, установлена перемычка, выключатель в шкафу компрессора работать не будет!**

Если нужно подключить новый шкаф к компрессору, который до этого работал самостоятельно (без шкафа), необходимо отключить соединение в клеммной колодке компрессора с помощью описанных ниже действий (рис. 15). (См. также главу 14.1 и 14.2.)

**ПРОЦЕСС** (рис. 15):

**Удаление перемычки** (процесс В-А)

- Отключите изделие от электрической сети, вынув вилку из розетки.
- Снимите крышку электрической панели (на компрессоре).
- Перемычка установлена в клеммную колодку – В.
- Удалите перемычку из клеммной колодки – А.
- Установите на место крышку электрической панели.
- Вставьте компрессор в шкаф.
- Подключите шкаф к компрессору, вставив шнур питания со штекером (1) в розетку (2) (рис. 8).
- Подключите устройство к электросети.
- Запустите компрессор с помощью выключателя на реле давления и выключателя (5) на шкафу (рис. 9).

Компрессор с распределительной секцией – при работе в составе шкафа **НЕ ДОЛЖНО БЫТЬ** электрического соединения (рис. 15, поз. А).

Примечание: **В случае использования компрессора без шкафа или в случае проведения технического обслуживания** перемычку, не установленную в клеммную колодку, следует держать в установленном месте возле электрической панели.

### 19.12. Очистка и дезинфекция наружных поверхностей изделия

Для очистки и дезинфекции наружных поверхностей изделия используются нейтральные средства.



**Применение агрессивных моющих и дезинфицирующих средств, содержащих раствор спирта и хлориды, может привести к повреждению поверхности и изменению цвета изделия.**

**УСТРАНЕНИЕ НЕИСПРАВНОСТЕЙ**


**ПРЕЖДЕ ЧЕМ ВЫПОЛНЯТЬ ДАЛЬНЕЙШИЕ ДЕЙСТВИЯ, СТРАВИТЕ ВОЗДУХ ИЗ РЕСИВЕРА ДО НУЛЕВОГО ДАВЛЕНИЯ И ОТСОЕДИНИТЕ УСТРОЙСТВО ОТ ЭЛЕКТРОСЕТИ.**

Оборудование, в частности охлаждающий вентилятор, нужно содержать в чистоте, чтобы охладитель как можно дольше работал с максимальной эффективностью. Необходимо время от времени очищать ребра охлаждения и удалять с них пыль.

К работам по устранению неисправностей следует допускать только квалифицированных специалистов.

<b>НЕПОЛАДКИ</b>	<b>ВОЗМОЖНАЯ ПРИЧИНА</b>	<b>СПОСОБ УСТРАНЕНИЯ</b>
Компрессор не запускается	Нет напряжения на реле давления  Повреждена обмотка электродвигателя, повреждена защита от перегрева Неисправный конденсатор Заклинило поршень или другую вращающуюся деталь Не срабатывает реле давления	Проверьте напряжение в сети Проверка главного реле: переведите его в положение «I». (Рис. 9.) Ослабьте клемму проводника и затяните ее обратно Проверьте электрический шнур и замените его, если он неисправен Включите выключатель (2) на реле давления (1) (рис. 9) Компрессор в шкафу: если компрессор не подключен шнуром к шкафу, подключите его (глава 14) Компрессор (без шкафа), который ранее работал в шкафу: отсутствует соединение в клеммной колодке (глава 19.10)  Замените двигатель или обмотку  Замените конденсатор Замените поврежденные детали Проверьте работу реле давления
Компрессор включается часто	Утечка воздуха из системы распределения сжатого воздуха Утечка в обратном клапане  В напорном резервуаре чрезмерное количество конденсированной жидкости Низкая производительность компрессора	Проверьте систему распределения сжатого воздуха — уплотните негерметичные соединения Прочистите обратный клапан, замените уплотнения, замените обратный клапан Слейте сконденсировавшуюся жидкость Проверьте время заполнения ресивера

Понижьте давление в ресивере (в процессе непрерывной работы компрессора)	Высокий уровень потребления воздуха устройством, утечка в системе распределения сжатого воздуха, низкая выходная мощность агрегата компрессора Неполадка в агрегате Неполадка в осушителе	Снизьте потребление воздуха Воспользуйтесь компрессором с большей производительностью Проверьте пневматическую систему — уплотните негерметичные соединения Почистите или замените насос Почистите или замените насос Замените осушитель
Длительная работа компрессора	Утечка в системе распределения сжатого воздуха Изношено поршневое кольцо Засорился входной фильтр Неисправен электромагнитный клапан	Проверьте систему распределения сжатого воздуха — уплотните негерметичное соединение Замените изношенное поршневое кольцо Замените старый фильтр новым Отремонтируйте или замените клапан либо обмотку
Компрессор шумит (стучит, издает металлические звуки)	Поврежден поршневой подшипник, шатун или подшипник двигателя Ослабленная или лопнувшая пружина	Замените поврежденный подшипник  Замените поврежденную пружину
Осушитель не осушает сжатый воздух (наличие водного конденсата в воздухе) *	Не работает охлаждающий вентилятор	Замените вентилятор Проверьте источник питания
	Поврежденный осушитель	Замените осушитель
	Не работает система автоматического слива конденсата	Выполните очистку или замену

)\* В случае неполадки в осушителе необходимо тщательно очистить внутреннюю поверхность ресивера и удалить всю собравшуюся в нем жидкость.

**Проверьте точку росы воздуха на выходе из ресивера (см. раздел 7 «Технические характеристики»), чтобы избежать повреждения оборудования.**

## 20. РЕМОНТНОЕ ОБСЛУЖИВАНИЕ

Гарантийный и послегарантийный ремонт должен выполняться производителем, его уполномоченным представителем или обслуживающим персоналом, одобренным поставщиком.

**Производитель оставляет за собой право вносить изменения в устройство без предварительного уведомления. Никакие изменения не повлияют на функциональные свойства устройства.**

## 21. УСЛОВИЯ ХРАНЕНИЯ

Если компрессор не будет использоваться в течение продолжительного времени, слейте весь конденсат из ресивера. Затем включите компрессор на 10 минут, оставив сливной кран (1) открытым (рис. 9). Выключите компрессор с помощью выключателя (2) на реле давления (1) (рис. 8), закройте сливной клапан и отсоедините устройство от электросети.

## 22. УТИЛИЗАЦИЯ УСТРОЙСТВА

- Отключите устройство от электросети.
- Сравите давление воздуха в ресивере, открыв сливной кран (1) (рис. 9).
- Утилизируйте оборудование в соответствии с применимыми нормативами, касающимися защиты окружающей среды.
- Для этого обратитесь в специализированную компанию, занимающуюся сортировкой и утилизацией отходов.
- Отработанные компоненты не должны оказывать отрицательного влияния на окружающую среду.

**SPIS TREŚCI**

<b>WAŻNE INFORMACJE.....</b>	<b>158</b>
1. ZGODNOŚĆ Z WYMAGANIAMI DYREKTYW UNII EUROPEJSKIEJ .....	158
2. PRZEZNACZENIE .....	158
3. PRZECIWWSKAZANIA I EFEKTY UBOCZNE .....	158
4. OSTRZEŻENIA I SYMBOLE .....	158
5. UWAGI.....	159
6. WARUNKI PRZECHOWYWANIA I TRANSPORTU .....	161
7. DANE TECHNICZNE .....	162
8. OPIS PRODUKTU .....	168
9. FUNKCJONALNOŚĆ PRODUKTU .....	169
10. SCHEMAT UKŁADU PNEUMATYCZNEGO .....	173
<b>INSTALACJA.....</b>	<b>174</b>
11. WARUNKI UŻYTKOWANIA .....	174
12. UMIEJSCOWIENIE SPRĘŻARKI .....	175
13. POŁĄCZENIA PNEUMATYCZNE .....	176
14. PRZYŁĄCZA ELEKTRYCZNE .....	176
15. SCHEMAT POŁĄCZEŃ .....	177
<b>EKSPLOATACJA .....</b>	<b>182</b>
16. URUCHOMIENIE .....	182
17. WŁĄCZANIE SPRĘŻARKI .....	183
18. WYŁĄCZENIE SPRĘŻARKI .....	183
<b>KONSERWACJA .....</b>	<b>184</b>
19. KONSERWACJA URZĄDZENIA .....	184
<b>ROZWIĄZYWANIE PROBLEMÓW .....</b>	<b>192</b>
20. INFORMACJE DOTYCZĄCE USŁUGI NAPRAWY .....	193
21. PRZECHOWYWANIE .....	193
22. UTYLIZACJA URZĄDZENIA .....	193
<b>ZAŁĄCZNIK .....</b>	<b>268</b>
23. DOKUMENTACJA INSTALACJI .....	272

## WAŻNE INFORMACJE

### 1. ZGODNOŚĆ Z WYMAGANIAMI DYREKTYW UNII EUROPEJSKIEJ

Niniejszy produkt spełnia wymagania Rozporządzenia (UE) w sprawie wyrobów medycznych (MDR 2017/745) i jest bezpieczny do użytku zgodnie z przeznaczeniem, jeśli przestrzegane są wszystkie instrukcje bezpieczeństwa..

### 2. PRZEZNACZENIE

Sprężarka służy jako źródło czystego, bezolejowego sprężonego powietrza do zasilania aktywnych urządzeń medycznych, w których parametry i właściwości tego sprężonego powietrza spełniają wymagane normy.



**Sprężone powietrze dostarczane przez sprężarkę nie nadaje się do użycia z urządzeniami sztucznej wentylacji płuc bez dalszej filtracji.**

Jakiegokolwiek użycie tego produktu niezgodnie z przeznaczeniem jest użyciem nieprawidłowym. Producent nie ponosi odpowiedzialności za jakiegokolwiek szkody lub uszczerbki na zdrowiu wynikające z niewłaściwego użycia.

### 3. PRZECIWWSKAZANIA I EFEKTY UBOCZNE

Brak znanych przeciwwskazań i efektów ubocznych.

### 4. OSTRZEŻENIA I SYMBOLE

W instrukcji obsługi, na urządzeniu i na jego opakowaniu znajdują się następujące symbole, które przekazują ważne informacje:



Ogólne ostrzeżenia



Ostrzeżenie



Niebezpieczeństwo, ryzyko porażenia prądem elektrycznym



Zobacz instrukcję obsługi



Postępuj zgodnie z instrukcją obsługi!



Oznaczenie CE



Wyrób medyczny



Numer seryjny



Sprężarka jest sterowana automatycznie i może uruchomić się bez ostrzeżenia



Ostrzeżenie! Gorąca powierzchnia



Uziemienie



Znak manipulacyjny na opakowaniu – ZAWARTOŚĆ DELIKATNA



Znak manipulacyjny na opakowaniu – GÓRA



Znak manipulacyjny na opakowaniu – ZACHOWAJ SUCHOŚĆ



Znak manipulacyjny na opakowaniu – OGRANICZENIA TEMPERATURY



Znak manipulacyjny na opakowaniu – OGRANICZONE UKŁADANIE W STOS



Znak na opakowaniu – MATERIAŁ DO RECYKLINGU



Producent

## 5. UWAGI

Produkt został zaprojektowany i wyprodukowany tak, aby był bezpieczny dla użytkownika i otoczenia, gdy jest używany w określony sposób. Należy pamiętać o następujących ostrzeżeniach.

### 5.1. Ogólne ostrzeżenia

**PRZED UŻYCIEM URZĄDZENIA NALEŻY DOKŁADNIE PRZECZYTAĆ NINIEJSZĄ INSTRUKCJĘ I ZACHOWAĆ JĄ DO WGLĄDU NA PRZYSZŁOŚĆ!**

- Instrukcja obsługi zawiera informacje dotyczące prawidłowej instalacji, eksploatacji i konserwacji produktu. Dokładne zapoznanie się z niniejszą instrukcją dostarczy informacji niezbędnych do prawidłowej obsługi produktu zgodnie z jego przeznaczeniem.
- Oryginalne opakowanie należy zachować na wypadek zwrotu urządzenia. Tylko oryginalne opakowanie zapewnia optymalną ochronę urządzenia podczas transportu. Jeżeli w okresie gwarancyjnym urządzenie będzie trzeba zwrócić, producent nie odpowiada za szkody spowodowane jego nieprawidłowym zapakowaniem.
- Gwarancja nie obejmuje szkód, które powstały w wyniku zastosowania innego wyposażenia niż określił lub zalecił producent.
- Producent ponosi odpowiedzialność za bezpieczeństwo, niezawodność i funkcjonowanie urządzenia tylko wówczas, gdy:
  - instalację, regulację, zmiany, rozszerzenia oraz naprawy wykonuje producent lub usługodawca autoryzowany przez producenta;
  - produkt jest używany zgodnie z instrukcją obsługi.

- Instrukcja obsługi odpowiada konfiguracji produktu i jego zgodności z obowiązującymi normami technicznymi i normami bezpieczeństwa w momencie drukowania. Producent zastrzega sobie wszelkie prawa do ochrony konfiguracji, metod i nazw produktu.
- Tłumaczenie instrukcji obsługi odbywa się zgodnie z najlepszą dostępną wiedzą. W razie wątpliwości należy odnieść się do wersji słowackiej.
- Niniejsza instrukcja obsługi jest oryginalną instrukcją. Tłumaczenie zostało wykonane zgodnie z najlepszą dostępną wiedzą.

## 5.2. Uwagi ogólne dotyczące bezpieczeństwa

Producent zaprojektował i wyprodukował produkt w taki sposób, aby zminimalizować wszelkie zagrożenia przy prawidłowym użytkowaniu produktu zgodnie z przeznaczeniem. Producent uważa za swój obowiązek przedstawienie następujących ogólnych uwag dotyczących bezpieczeństwa.

- Produktu należy używać zgodnie z wszelkimi przepisami i lokalnymi regulacjami obowiązującymi w miejscu użytkowania. Podmiot odpowiedzialny oraz użytkownik odpowiadają za przestrzeganie wszystkich odpowiednich przepisów w celu zapewnienia bezpiecznej pracy.
- Wyłącznie stosowanie oryginalnych części zamiennych gwarantuje bezpieczeństwo personelu obsługującego i bezbłędne działanie samego produktu. Stosować należy tylko wyposażenie oraz części zamienne wymienione w dokumentacji technicznej lub wyraźnie dopuszczone przez producenta.
- Podmiot odpowiedzialny musi zapewnić przed każdym użyciem, że urządzenie działa prawidłowo i bezpiecznie.
- Użytkownik powinien zapoznać się ze sposobem działania urządzenia.
- Urządzenia nie należy używać w środowiskach zagrożonych wybuchem.
- W razie wystąpienia jakichkolwiek problemów związanych z działaniem urządzenia użytkownik jest zobowiązany niezwłocznie powiadomić o tym fakcie dostawcę.
- Każdy poważny wypadek związany z tym urządzeniem powinien zostać zgłoszony producentowi i odpowiednim władzom kraju członkowskiego, który stanowi miejsce stałego pobytu użytkownika i/lub pacjenta.

## 5.3. Uwagi dotyczące ochrony przed prądem elektrycznym

- Urządzenie można podłączyć tylko do prawidłowo zamontowanego gniazda z uziemieniem.
- Przed podłączeniem produktu należy sprawdzić, czy napięcie i częstotliwość sieci wskazane na produkcie odpowiadają parametrom sieci zasilającej.
- Przed rozpoczęciem eksploatacji urządzenia należy sprawdzić, czy podłączone do niego przewody pneumatyczne i elektryczne nie mają uszkodzeń. Uszkodzone przewody pneumatyczne i elektryczne należy natychmiast wymienić.
- W sytuacjach niebezpiecznych lub w przypadku awarii technicznej należy natychmiast odłączyć urządzenie od sieci elektrycznej (wyjąć wtyczkę przewodu zasilającego z gniazda).
- Podczas wszelkich napraw i prac konserwacyjnych należy upewnić się, że:
  - wtyczka sieciowa jest wyciągnięta z gniazda sieciowego,
  - ze zbiornika powietrza i przewodów jest spuszczone ciśnienie.
- Produkt powinien być instalowany tylko przez wykwalifikowany personel.

## 6. WARUNKI PRZECHOWYWANIA I TRANSPORTU

Urządzenie jest przewożone z fabryki w specjalnym opakowaniu. Chroni ono urządzenie przed uszkodzeniami w czasie transportu.



**W miarę możliwości urządzenie zawsze należy przewozić w oryginalnym opakowaniu. Podczas transportu urządzenie powinno być dokładnie zabezpieczone w pozycji stojącej.**



Podczas transportu i przechowywania sprężarkę należy chronić przed wilgocią, brudem i ekstremalnymi temperaturami. Sprężarkę należy przechowywać w oryginalnym opakowaniu w ciepłym, suchym i niezapyłonym pomieszczeniu. Urządzenia nie należy przechowywać razem z materiałami chemicznymi.



W miarę możliwości opakowanie należy zachować. Jeżeli zachowanie opakowania nie jest możliwe, należy je zutylizować zgodnie z zasadami ochrony środowiska. Kartonowe opakowanie można poddać recyklingowi razem ze starym papierem.



**Sprężarkę można transportować wyłącznie po spuszczeniu ciśnienia powietrza. Przed przenoszeniem lub transportem sprężarki należy spuścić ciśnienie powietrza w zbiorniku i w węzłach ciśnieniowych oraz spuścić kondensat.**



**Zabrania się przechowywania i transportu urządzenia w sposób inny niż opisany poniżej.**

### Warunki otoczenia przy przechowywaniu i transporcie

Produkty mogą być składowane i transportowane wyłącznie w pojazdach, które są wolne od śladowych ilości lotnych substancji chemicznych, w następujących warunkach:

<b>Temperatura</b>	Od $-25^{\circ}\text{C}$ do $+55^{\circ}\text{C}$ , 24 h w temperaturze do $+70^{\circ}\text{C}$
<b>Wilgotność względna</b>	Maks. 90% (bez kondensacji)

## 7. DANE TECHNICZNE

Sprężarki są przeznaczone do suchych i wentylowanych pomieszczeń wewnętrznych, które spełniają następujące warunki:

**Temperatura**

Od +5°C do +40°C

**Wilgotność względna**

maks. 70%

Tab. 1

5 – 7 barów		DK50-10 Z		DK50-10 S		DK50-10 Z/M		DK50-10 S/M	
Napięcie znamionowe / częstotliwość (*)	V / Hz	230 / 50/60	115 / 60	230 / 50/60	115 / 60	230 / 50/60	115 / 60	230 / 50/60	115 / 60
Wydajność przy 5 barach	Lit.min-1	75/85	85	75/85	85	58/68	68	58/68	68
Ciśnienie robocze (**)	bar	5,0 – 7,0		5,0 – 7,0		5,0 – 7,0		5,0 – 7,0	
Prąd znamionowy	A	3,8/4,8	8,9	3,8/4,8	8,9	4,1/5,1	9,1	4,1/5,1	9,1
Moc silnika	kW	0,55		0,55		0,55		0,55	
Objętość zbiornika powietrza	Lit.	10		10		10		10	
Jakość powietrza – filtracja	µm	-		-		0,1		0,1	
Dopuszczalne ciśnienie robocze zaworu bezpieczeństwa	bar	8,0		8,0		8,0		8,0	
Poziom hałasu przy 5 barach	LpfA[dB]	≤64/≤66	≤66	≤46/≤49	≤49	≤65/≤67	≤67	≤49/≤52	≤52
Tryb pracy		S1-100%		S1-100%		S1-100%		S1-100%	
Wydajność suszenia PDP przy 7 barach		-		-		≤ +3°C		≤ +3°C	
Czas napełniania zbiornika powietrza od 0 do 6 barów	s	50/44	44	50/44	44	70/60	60	70/60	60
Wymiary (bez opakowania) szer. x gł. x wys.	mm	485x350x553		580x440x655		544x350x553		649x440x655	
Waga netto (***)	kg	38		53		44		61	
Klasyfikacja wg normy EN 60601-1		Klasa I.							

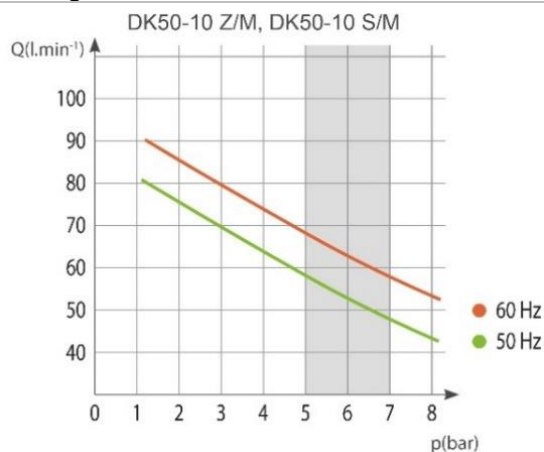
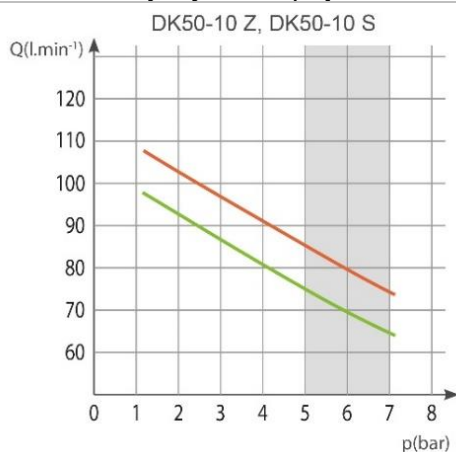
Uwagi:

(\*) W zamówieniu należy wskazać wersję sprężarki.

(\*\*) W sprawie innych mocy sprężania należy skontaktować się z dostawcą

(\*\*\*) Informacje dotyczące masy mają charakter informacyjny i dotyczą samego produktu bez dodatkowych akcesoriów.

### Zależność wydajności sprężarki od ciśnienia roboczego



Tab. 2

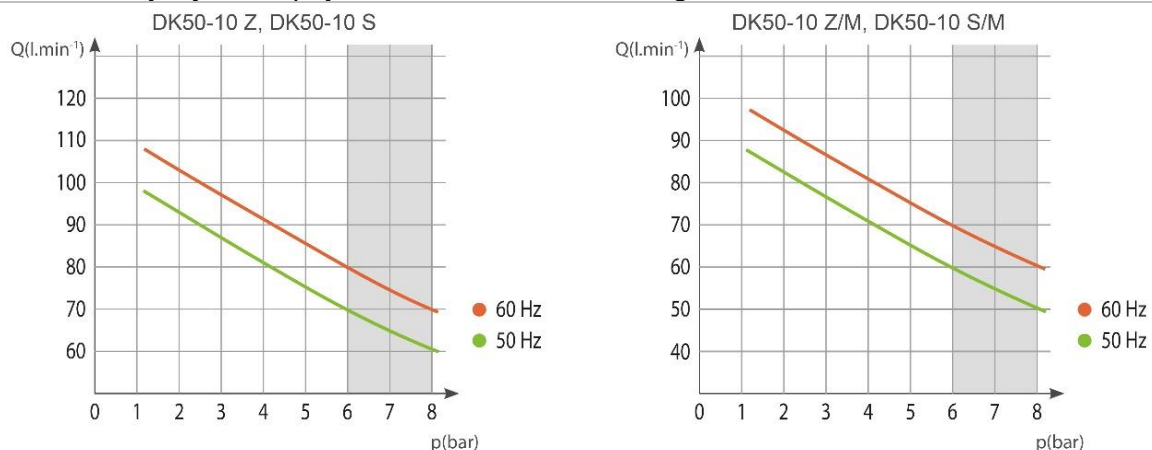
6 – 8 barów		DK50-10 Z		DK50-10 S		DK50-10 Z/M		DK50-10 S/M	
Napięcie znamionowe / częstotliwość (*)	V / Hz	230 / 50/60	115 / 60	230 / 50/60	115 / 60	230 / 50/60	115 / 60	230 / 50/60	115 / 60
Wydajność przy 6 barach	Lit.min-1	70/80	80	70/80	80	60/70	70	60/70	70
Ciśnienie robocze (**)	bar	6,0 – 8,0		6,0 – 8,0		6,0 – 8,0		6,0 – 8,0	
Prąd znamionowy	A	3,9/4,9	9	3,9/4,9	9	4,1/5,1	9,2	4,1/5,1	9,2
Moc silnika	kW	0,55		0,55		0,55		0,55	
Objętość zbiornika powietrza	Lit.	10		10		10		10	
Jakość powietrza – filtracja	µm	-		-		0,1		0,1	
Dopuszczalne ciśnienie robocze zaworu bezpieczeństwa	bar	12,0		12,0		12,0		12,0	
Poziom hałasu przy 5 barach	LpFA [dB]	≤64/≤66	≤66	≤46/≤49	≤49	≤65/≤67	≤67	≤49/≤52	≤52
Tryb pracy		S1-100%		S1-100%		S1-100%		S1-100%	
Wydajność suszenia PDP przy 7 barach		-		-		≤ +3°C		≤ +3°C	
Czas napełniania zbiornika powietrza od 0 do 7 barów	s	60/51	51	60/51	51	72/61	61	72/61	61
Wymiary (bez opakowania) szer. x gł. x wys.	mm	485x350x553		580x440x655		544x350x553		649x440x655	
Waga netto (***)	kg	38		53		44		61	
Klasyfikacja wg normy EN 60601-1		Klasa I.							

Uwagi:

(\*) W zamówieniu należy wskazać wersję sprężarki.

(\*\*) W sprawie innych mocy sprężania należy skontaktować się z kontrahentem

(\*\*\*) Informacje dotyczące masy mają charakter informacyjny i dotyczą samego produktu bez dodatkowych akcesoriów.

**Zależność wydajności sprężarki od ciśnienia roboczego**


Tab. 3

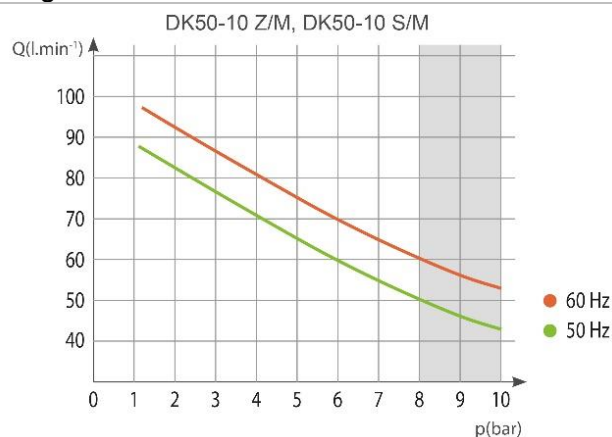
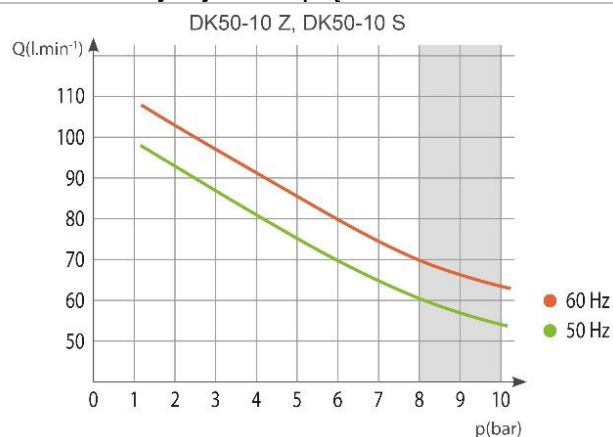
8 – 10 barów		DK50-10 Z		DK50-10 S		DK50-10 Z/M		DK50-10 S/M	
Napięcie znamionowe / częstotliwość (*)	V / Hz	230 / 50/60	115 / 60	230 / 50/60	115 / 60	230 / 50/60	115 / 60	230 / 50/60	115 / 60
Wydajność przy 8 barach	Lit.min-1	60/70	70	60/70	70	50/60	60	50/60	60
Ciśnienie robocze (**)	bar	8,0 – 10,0		8,0 – 10,0		8,0 – 10,0		8,0 – 10,0	
Prąd znamionowy	A	4,1/5,1	9,2	4,1/5,1	9,2	4,3/5,3	9,4	4,4/5,4	9,4
Moc silnika	kW	0,55		0,55		0,55		0,55	
Objętość zbiornika powietrza	Lit.	10		10		10		10	
Jakość powietrza – filtracja	µm	-		-		0,1		0,1	
Dopuszczalne ciśnienie robocze zaworu bezpieczeństwa	bar	12,0		12,0		12,0		12,0	
Poziom hałasu przy 5 barach	LpFA [dB]	≤64/≤66	≤66	≤46/≤49	≤49	≤65/≤67	≤67	≤49/≤52	≤52
Tryb pracy		S1-100%		S1-100%		S1-100%		S1-100%	
Wydajność suszenia PDP przy 7 barach		-		-		≤ +3°C		≤ +3°C	
Czas napełniania zbiornika powietrza od 0 do 9 barów	s	85/75	75	85/75	75	96/82	82	96/82	82
Wymiary (bez opakowania) szer. x gł. x wys.	mm	485x350x553		580x440x655		544x350x553		649x440x655	
Waga netto (***)	kg	38		53		44		61	
Klasyfikacja wg normy EN 60601-1		Klasa I.							

Uwagi:

(\*) W zamówieniu należy wskazać wersję sprężarki.

(\*\*) W sprawie innych mocy sprężania należy skontaktować się z kontrahentem

(\*\*\*) Informacje dotyczące masy mają charakter informacyjny i dotyczą samego produktu bez dodatkowych akcesoriów.

**Zależność wydajności sprężarki od ciśnienia roboczego**


### 7.1. Korekta swobodnego wydatku powietrza ze względu na wysokość

Wydajność określana jako swobodny wydatek powietrza (Free Air Delivery — FAD) dotyczy następujących warunków:

Wysokość	0 n.p.m.	Temperatura	20°C
Ciśnienie atmosferyczne	101325 Pa	Wilgotność względna	0%

Aby obliczyć wydajność FAD sprężarki zależnie od wysokości, należy uwzględnić współczynnik korekty zgodnie z poniższą tabelą:

Wysokość [n.p.m.]	0 – 1500	1501 – 2500	2501 – 3500	3501 – 4500
Współczynnik korekty FAD	1	0.80	0.71	0.60

### 7.2. Deklaracja zgodności elektromagnetycznej

Sprzęt medyczny musi spełniać specjalne normy bezpieczeństwa w zakresie zgodności elektromagnetycznej (EMC) oraz powinien być instalowany i serwisowany zgodnie z poniższymi informacjami na ten temat.

Wytyczne oraz deklaracja producenta – emisja elektromagnetyczna		
Zgodnie z normą IEC 60601-1-2:2014 – Medyczne urządzenia elektryczne -- Część 1-2: Wymagania ogólne dotyczące bezpieczeństwa podstawowego oraz funkcjonowania zasadniczego -- Norma uzupełniająca: Zakłócenia elektromagnetyczne -- Wymagania i badania		
Urządzenie jest przeznaczone do użytku w otoczeniu elektromagnetycznym określonym poniżej. Klient lub użytkownik urządzenia powinien zapewnić właściwe warunki użytkowania.		
Test emisji	Zgodność	Otoczenie elektromagnetyczne – wytyczne
Emisje fal radiowych wg normy CISPR 11	Grupa 1	Urządzenie wykorzystuje fale radiowe tylko na wewnętrzne potrzeby. W związku z tym emisja tych fal jest bardzo niska i stwarza bardzo małe ryzyko interferencji z pobliskim sprzętem elektronicznym.
Emisje fal radiowych wg normy CISPR 11	Klasa B	Urządzenie może być używane wszędzie, także w gospodarstwach domowych i miejscach bezpośrednio podłączonych do publicznej sieci zasilania o niskim napięciu, zasilającej budynki wykorzystywane do celów mieszkalnych.
Emisje harmoniczne wg normy IEC 61000-3-2	Klasa A	
Wahania napięcia / emisje migotania wg normy IEC 61000-3-3	Urządzenie nie powinno powodować migotania, ponieważ po jego uruchomieniu przepływ prądu jest w przybliżeniu jednostajny.	


**Wytyczne oraz deklaracja producenta – odporność elektromagnetyczna**

Zgodnie z normą IEC 60601-1-2:2014 – Medyczne urządzenia elektryczne -- Część 1-2: Wymagania ogólne dotyczące bezpieczeństwa podstawowego oraz funkcjonowania zasadniczego -- Norma uzupełniająca: Zakłócenia elektromagnetyczne -- Wymagania i badania

Urządzenie jest przeznaczone do użytku w otoczeniu elektromagnetycznym określonym poniżej. Klient lub użytkownik urządzenia powinien zapewnić właściwe warunki użytkowania.

Test odporności	Poziom testu wg normy IEC 60601-1-2	Poziom zgodności	Otoczenie elektromagnetyczne – wytyczne
Wyładowanie elektrostatyczne (ESD) IEC 61000-4-2	kontaktowe $\pm 8$ kV w powietrzu $\pm 15$ kV	kontaktowe $\pm 8$ kV w powietrzu $\pm 15$ kV	Podłogi powinny być drewniane, betonowe lub pokryte płytkami ceramicznymi. Jeśli podłogi są pokryte materiałem syntetycznym, wilgotność względna powinna wynosić przynajmniej 30%.
Szybkie przejściowe wyładowanie elektryczne IEC 61000-4-4	$\pm 2$ kV dla obwodów zasilania $\pm 1$ kV dla obwodów wejścia/wyjścia	$\pm 2$ kV Częstotliwość powtarzania 100 kHz Dotyczy podłączenia do sieci	Jakość sieci powinna być typowa dla środowisk komercyjnych lub szpitalnych.
Przebiecie IEC 61000-4-5	Tryb różnicowy $\pm 1$ kV Tryb wspólny $\pm 2$ kV	$\pm 1$ kV L-N $\pm 2$ kV L-PE; N-PE Dotyczy podłączenia do sieci	Jakość sieci powinna być typowa dla środowisk komercyjnych lub szpitalnych.
Spadki napięcia, krótka przerwa, oraz wahania napięcia na liniach wejściowych zasilania wg normy IEC 60601-4-11	$U_T=0\%$ , cykl 0,5 (przy 0, 45, 90, 135, 180, 225, 270 oraz $315^\circ$ ) $U_T=0\%$ , cykl 1 $U_T=70\%$ 25/30 cykli (przy $0^\circ$ ) $U_T=0\%$ , 250/300 cykli	$U_T=>95\%$ , 0,5 cyklu (przy 0, 45, 90, 135, 180, 225, 270 oraz $315^\circ$ ) $U_T=>95\%$ , 1 cykl $U_T=70\%$ (30% spadek napięcia $U_T$ ), 25 (50 Hz)/30 (60 Hz) cykli (przy $0^\circ$ ) $U_T=>95\%$ , 250 (50 Hz)/300 (60 Hz) cykli	Jakość sieci powinna być typowa dla środowisk komercyjnych lub szpitalnych. Urządzenie automatycznie wyłącza i restartuje się po każdym spadku napięcia. W tym przypadku nie następuje nieakceptowalny spadek ciśnienia.
Częstotliwość zasilania (50/60 Hz) IEC 61000-4-8	30 A/m	30 A/m	Pola magnetyczne o częstotliwości zasilania powinny być przynajmniej na poziomie charakterystycznym dla typowej lokalizacji w typowym środowisku komercyjnym lub szpitalnym.

UWAGA:  $U_T$  to przemienne napięcie sieciowe przed testem.

Wytyczne oraz deklaracja producenta – odporność elektromagnetyczna			
Zgodnie z normą IEC 60601-1-2:2014 – Medyczne urządzenia elektryczne -- Część 1-2: Wymagania ogólne dotyczące bezpieczeństwa podstawowego oraz funkcjonowania zasadniczego -- Norma uzupełniająca: Zakłócenia elektromagnetyczne -- Wymagania i badania			
Urządzenie jest przeznaczone do użytku w otoczeniu elektromagnetycznym określonym poniżej. Klient lub użytkownik urządzenia powinien zapewnić właściwe warunki użytkowania.			
Test odporności	Poziom testu wg normy IEC 60601-1-2	Poziom zgodności	Otoczenie elektromagnetyczne – wytyczne
Odporność na zaburzenia radioelektryczne wprowadzane do przewodów IEC 61000-4-6	3 Vrms 150 kHz – 80 MHz	3 Vrms	Przenośne i ruchome urządzenia radiowe RF nie powinny znajdować się bliżej żadnej części urządzenia, w tym kabli, niż zalecana odległość obliczona za pomocą równania z uwzględnieniem częstotliwości nadajnika.  <b>Zalecana odległość</b>  $d=1,2\sqrt{P}$  $d=1,2\sqrt{P}$ , 80 MHz – 800 MHz  $d=2,3\sqrt{P}$ , 800 MHz – 2,7 GHz
Odporność na pole elektromagnetyczne o częstotliwościach radiowych IEC 61000-4-3	3 V/m 80 MHz – 2,7 GHz	3 V/m	gdzie P to maksymalna moc wyjściowa nadajnika w watach (W) podana przez producenta nadajnika, a d to zalecana odległość w metrach (m).
Pobliskie pola fal radiowych emitowanych przez urządzenia komunikacyjne IEC 61000-4-3	9 – 28 V/m 15 określonych częstotliwości (380 – 5800 MHz)	9 – 28 V/m 15 określonych częstotliwości (380 – 5800 MHz)	Natężenia pól emitowanych przez stałe nadajniki RF, określone drogą pomiaru poziomu zakłóceń elektromagnetycznych w miejscu montażu <sup>a</sup> , powinny być niższe od poziomu zgodności w każdym zakresie częstotliwości <sup>b</sup> . Interferencje mogą występować w pobliżu urządzeń oznaczonych następującym symbolem:  
<p>UWAGA 1: w przypadku 80 MHz i 800 MHz zastosowanie ma wyższy zakres częstotliwości.</p> <p>UWAGA 2: wytyczne te mogą nie mieć zastosowania w niektórych sytuacjach. Na rozchodzenie się fal elektromagnetycznych mają wpływ właściwości pochłaniania i odbijania konstrukcji, obiektów i ludzi.</p>			
<p><sup>a</sup> Siły pól emitowanych przez stałe nadajniki, takie jak stacje telefoniczne (komórkowe/bezprzewodowe), przenośne radia lądowe, radia amatorskie, stacje nadające sygnały radiowe AM i FM oraz TV nie dadzą się dokładnie przewidzieć w obliczeniach teoretycznych. Aby określić właściwości otoczenia elektromagnetycznego ze względu na obecność stałych nadajników fal radiowych, należy przeprowadzić pomiar poziomu zakłóceń elektromagnetycznych w miejscu montażu. Jeśli natężenie pola w miejscu montażu urządzenia przekracza dopuszczalny poziom zakłóceń fal radiowych, należy przyjrzeć się, czy urządzenie działa prawidłowo. Jeśli urządzenie nie działa prawidłowo, może być konieczne podjęcie środków zaradczych, takich jak przestawienie lub przeniesienia urządzenia.</p> <p><sup>b</sup> Powyżej zakresu częstotliwości 150 kHz – 80 kHz natężenia pól powinny wynosić mniej niż 3 V/m.</p>			

## 8. OPIS PRODUKTU

### 8.1. Warianty

Modele sprężarek występują w następujących wariantach:

<b>DK50-10 Z</b>	sprężarka montowana na podstawie do samodzielnej instalacji w pomieszczeniu
<b>DK50-10 Z/M</b>	sprężarka montowana na podstawie z osuszaczem powietrza
<b>DK50-10 S</b>	sprężarka w obudowie z efektywnym tłumieniem hałasu do instalacji w gabinecie
<b>DK50-10 S/M</b>	sprężarka z osuszaczem powietrza w obudowie



**DK50-10 Z**



**DK50-10 Z/M**



**DK50-10 S**  
**DK50-10 S/M**

### 8.2. Akcesoria

Akcesoria, które nie znajdują się w standardowym zamówieniu, należy zamawiać oddzielnie!

#### 8.2.1. Automatyczny spust kondensatu

Automatyczny spust kondensatu (AOK) powoduje samoczynne odprowadzanie kondensatu ze zbiornika powietrza sprężarki w ustalonych odstępach czasu. Spust kondensatu (AOK) jest odpowiednim dodatkiem do sprężarek bez osuszacza.

Typ	Zastosowanie	Numer części
AOK 10	DK50-10Z	447000001-046

#### 8.2.2. Zestaw filtrów sprężonego powietrza wylotowego

Sprężarkę można wyposażyć w zestaw filtrów. Zestaw ten można dodatkowo zaopatrzyć w regulator ciśnienia powietrza.



Jeśli wymagany jest inny poziom skuteczności filtracji powietrza, wymóg ten należy uzgodnić z dostawcą i dodać do zamówienia.

Typ	Zastosowanie	Skuteczność filtracji ( $\mu\text{m}$ )	Numer części
FS 20F		1	604014119-003
FS 20M	DK50-10Z	1+0,1	604014119-009
FS 20S	DK50-10Z/M	1+0,01	604014119-012
FS 20A		1+0,01+A**	604014119-013

\*\*\*) A – submikrofiltr z węglem aktywowanym

### 8.2.3. Regulator do zestawu filtracyjnego

Sprężarka może mieć regulator ciśnienia na wylocie sprężonego powietrza, jeśli określono. Regulator należy wybrać na podstawie zastosowania zestawu filtracyjnego lub osobno. Regulator zapewnia stałe ciśnienie na wylocie.

Typ	Zastosowanie	Numer części
Komplet regulatora (do filtru)	DK50-10Z, DK50-10Z/M	604014142-000
REG10 (osobno)		447000001-042

### 8.2.4. Uchwyty zestawu filtracyjnego



Do każdego zestawu filtracyjnego należy zamówić odpowiedni uchwyt.

Typ	Zastosowanie	Numer części
Uchwyt do montażu na sprężarce	DK50-10Z, DK50-10Z/M	603002108-000
Uchwyt do montażu na ścianie		604014186-000

### 8.2.5. Jednostka kondensacji i filtracji

Sprężarka może być dodatkowo wyposażona w jednostkę kondensacji i filtracji (KJF-1 lub KJFR-1). Jednostki KJF-1 i KJFR-1 chłodzą sprężone powietrze ze zbiornika w chłodziarce oraz za pomocą filtrów przechwytyją kondensat, który następnie automatycznie usuwają z od pneumatycznego systemu rozprowadzającego. Jednocześnie filtrowane jest sprężone powietrze.

Typ	Zastosowanie	Poziom filtracji/ $\mu\text{m}$ /	Regulator ciśnienia	Numer części
KJF-1	DK50-10Z	5	nie	450001011-001
KJFR-1	DK50-10Z/M		tak	450001011-002

## 9. FUNKCJONALNOŚĆ PRODUKTU

### Sprężarka (rys. 1)

Agregat sprężarki (1) zasysa powietrze atmosferyczne przez filtr wejściowy (8) i zawór zwrotny (3) sprężając je w zbiorniku powietrza (2), z którego urządzenie uzyskuje sprężone powietrze. Jeżeli ciśnienie w zbiorniku powietrza spada do ciśnienia włączającego, przełącznik ciśnieniowy (4) włącza sprężarkę, a sprężarka doprowadza sprężone powietrze do zbiornika powietrza, aż osiągnie ciśnienie wyłączające, po czym sprężarka wyłącza się. Wąż ciśnieniowy jest odpowietrzany przez elektromagnetyczny zawór bezpieczeństwa (13) po wyłączeniu agregatu sprężarki. Zawór bezpieczeństwa (5) zapobiega wzrostowi ciśnienia w zbiorniku powietrza powyżej maksymalnej dopuszczalnej wartości. Zawór spustowy (7) odprowadza kondensat ze zbiornika powietrza. Sprężone, bez oleju, filtrowane powietrze jest gromadzone w zbiorniku powietrza i jest gotowe do użycia.

Kondensat musi być odprowadzany ze zbiornika powietrza w regularnych odstępach czasu (patrz rozdział 19.1).

### Sprężarka z suszarką membranową. (rys. 2)

Agregat sprężarki (1) zasysa powietrze przez filtr wlotowy (8) i spręża je, doprowadzając do chłodnicy (14) przez filtr (15) i zawór zwrotny (3) do osuszacza (9), następnie suche, czyste powietrze jest doprowadzane do zbiornika powietrza (2). Część powietrza jest uwalniana z osuszacza z wychwyconą wilgocią, co objawia się w postaci łagodnego strumienia powietrza płynącego wzdłuż korpusu osuszacza (9). Kondensat z filtra jest automatycznie opróżniany do butli w regularnych odstępach czasu przez zawór elektromagnetyczny spustu kondensatu (16).

Osuszacz zapewnia ciągle osuszanie sprężonego powietrza. Zawór spustowy (7) odprowadza kondensat ze zbiornika powietrza podczas kontroli wydajności osuszania. Sprężone, bez oleju, suche powietrze jest gromadzone w zbiorniku i jest gotowe do użycia.

Aby osuszacz membranowy działał prawidłowo, jest podłączony bezpośrednio do zbiornika powietrza, bez użycia zaworu zwrotnego. Ponieważ osuszacz membranowy zawiera selektywne włókna membranowe, przedostaje się przez nie niewielka ilość powietrza (ok. 0,5 bara/30 min)

Z tego względu występuje stopniowy, powolny spadek ciśnienia nawet wtedy, gdy sprężone powietrze nie jest pobierane (ze zbiornika powietrza), co nie stanowi wadliwego działania.

Zbiornik ciśnieniowy nie musi być opróżniany z kondensatu.

### Obudowa sprężarki

Dźwiękoszczelna obudowa ma niewielkie rozmiary, ale zapewnia dostateczną wymianę powietrza chłodzącego. Jej wygląd pozwala na ustawienie jej w gabinecie dentystycznym jako mebla. Znajdujący się pod agregatem sprężarki wentylator chłodzi agregat i włącza się razem z silnikiem sprężarki. Po dłuższej pracy sprężarki temperatura w obudowie może osiągnąć ponad 40°C. Wówczas automatycznie zostanie włączony wentylator chłodzenia. Po wychłodzeniu przestrzeni obudowy poniżej około 32°C, wentylator zostanie automatycznie wyłączony.



**Pod sprężarką i wokół niej należy zapewnić swobodny przepływ powietrza. Nie wolno zakrywać wylotu gorącego powietrza z tyłu górnej części obudowy.**

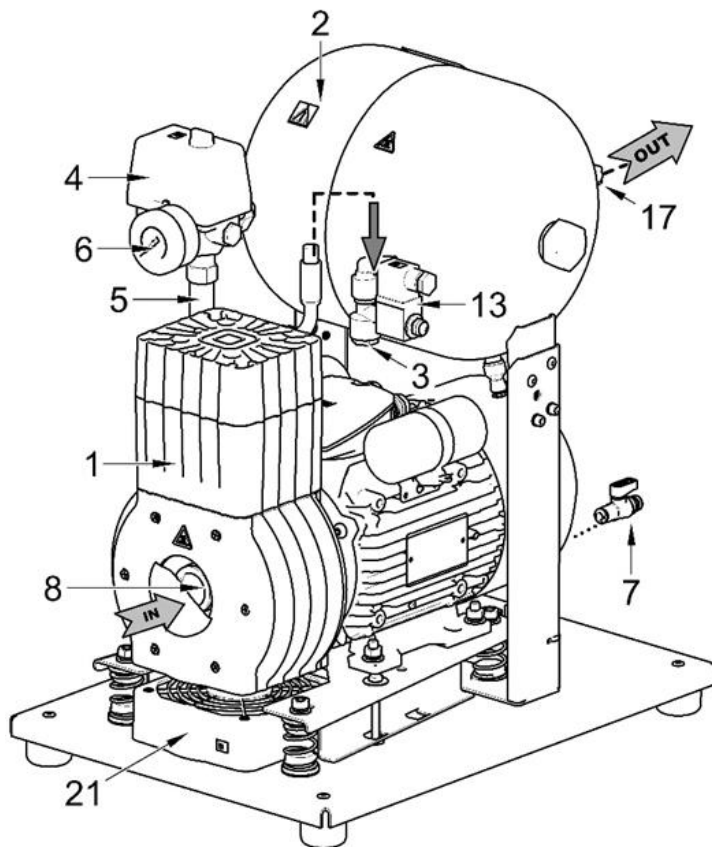


**W przypadku ustawienia sprężarki na miękkiej podłodze, na przykład na dywanie, należy utworzyć lukę pomiędzy podstawą i podłogą lub obudową i podłogą, na przykład przez podłożenie twardych podkładek pod nóżki.**

Sprężarka o ciśnieniu 8–10 barów jest wyposażona w licznik godzin (rys. 3).

Rys. 1: DK50-10Z - Kompresor

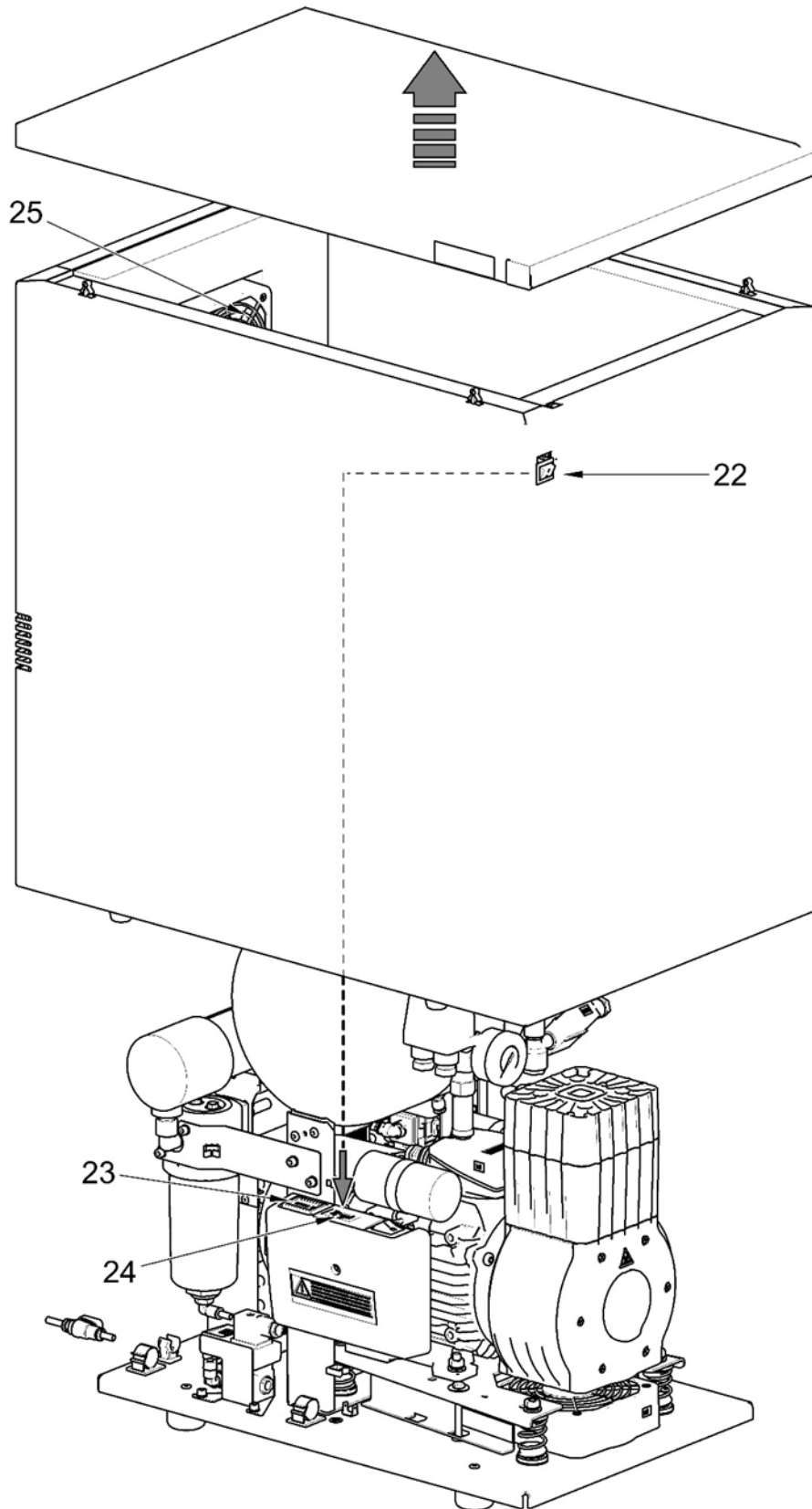
Sprężarka DK50-10 Z



- 1 Agregat sprężarki
- 2 Zbiornik powietrza
- 3 Zawór zwrotny
- 4 Łącznik ciśnieniowy
- 5 Zawór bezpieczeństwa
- 6 Ciśnieniomierz
- 7 Zawór spustowy
- 8 Filtr wlotowy
- 9 Osuszacz
- 10 -
- 11 -
- 12 -
- 13 Zawór elektromagnetyczny
- 14 Chłodnica osuszacza
- 15 Filtr
- 16 Zawór elektromagnetyczny spustu kondensatu
- 17 Wylot powietrza sprężonego
- 18 Wyłącznik obwodu
- 19 Butla
- 20 Magnetyczny uchwyt
- 21 Wentylator
- 22 Przełącznik
- 23 Licznik godzin
- 24 Gniazdo
- 25 Wentylator obudowy

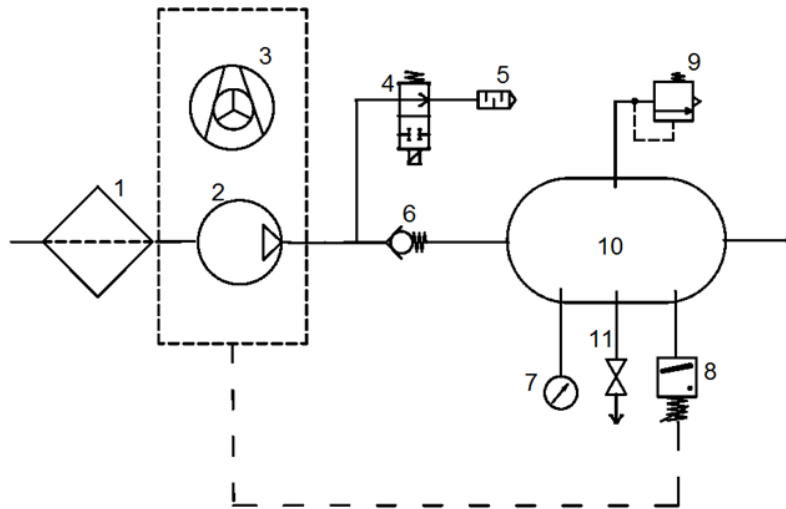


Rys. 3: Sprężarka DK50-10 S/M (8-10 barów)

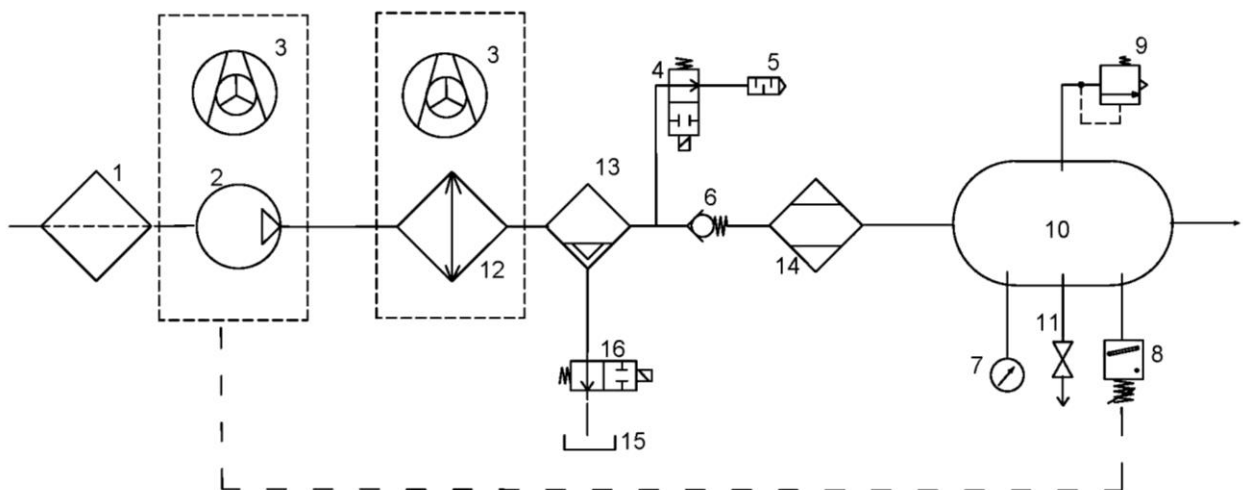


10. SCHEMAT UKŁADU PNEUMATYCZNEGO

DK50-10Z, DK50-10S



DK50-10Z/M, DK50-10S/M



Legenda schematu układu pneumatycznego

- |                         |  |
|-------------------------|--|
| 1. Filtr wlotowy        | 9. Zawór bezpieczeństwa                        |
| 2. Sprężarka            | 10. Zbiornik powietrza                         |
| 3. Wentylator           | 11. Zawór spustowy                             |
| 4. Zawór bezpieczeństwa | 12. Chłodnica                                  |
| 5. Tłumik               | 13. Filtr koalescencyjny                       |
| 6. Zawór zwrotny        | 14. Osuszacz membranowy                        |
| 7. Ciśnieniomierz       | 15. Butla kondensatu                           |
| 8. Łącznik ciśnieniowy  | 16. Zawór elektromagnetyczny spustu kondensatu |

## INSTALACJA

### 11. WARUNKI UŻYTKOWANIA

- Sprężarki mogą być instalowane i eksploatowane wyłącznie w suchym, dobrze wentylowanym i czystym środowisku o parametrach środowiskowych spełniających wymagania określone w rozdziale 7 Dane techniczne. Sprężarka powinna zostać zainstalowana w taki sposób, aby była łatwo dostępna do obsługi i konserwacji. Należy zadbać, aby etykieta urządzenia była łatwo dostępna.
- Sprężarka musi stać na płaskiej, odpowiednio stabilnej podstawie (należy wziąć pod uwagę wagę sprężarki, patrz rozdział 7, Dane techniczne).
- Sprężarki nie mogą pracować na wolnym powietrzu, w wilgotnych lub mokrych środowiskach. Zabronione jest użytkowanie urządzenia w pomieszczeniu, gdzie są obecne gazy wybuchowe, kurz lub ciecze łatwopalne.
- Przed wbudowaniem sprężarki do urządzeń medycznych dostawca powinien potwierdzić, czy spełnia wszystkie wymagania dotyczące użytkowania. W tym celu należy przestrzegać warunków technicznych produktu. Jeżeli jednostka ma być wbudowana, wyboru oraz oceny parametrów musi dokonać producent lub dostawca produktu, który ma być używany.
- Inne lub wykraczające poza opisane ramy zastosowanie uważa się za niezgodne z przeznaczeniem. Producent nie odpowiada za szkody wynikłe z takiego użytkowania urządzenia. Ryzyko ponosi wyłącznie operator/użytkownik.



**Montaż i uruchomienie sprężarki może przeprowadzać wyłącznie wykwalifikowany specjalista. Specjalista ten jest zobowiązany do przeszkolenia personelu obsługującego urządzenie w zakresie jego obsługi i konserwacji. Instalacja i szkolenie wszystkich operatorów muszą być potwierdzone podpisem instalatora na świadectwie instalacji.**



**Przed pierwszym uruchomieniem należy usunąć wszystkie zabezpieczenia służące unieruchomieniu urządzenia podczas transportu – ich pozostawienie grozi uszkodzeniem produktu.**



**Części agregatu mogą być gorące i podczas pracy sprężarki mogą osiągać niebezpieczne temperatury dla operatora i materiałów eksploatacyjnych. Ryzyko oparzenia lub pożaru! Ostrzeżenie! Gorąca powierzchnia!**



**Na początku eksploatacji produktu może być wyczuwalny zapach „nowego urządzenia” (przez krótki czas). Jest to zjawisko przejściowe, które nie ma wpływu na działanie sprzętu. Po instalacji należy zapewnić właściwą wentylację.**

### Warunki otoczenia podczas pracy

*Temperatura:* Od +5°C do +40°C,

*Maks. wilgotność względna:* 70%,

*Maks. wilgotność bezwzględna:* 15 g/m<sup>3</sup>.

## 12. UMIEJSCOWIENIE SPRĘŻARKI



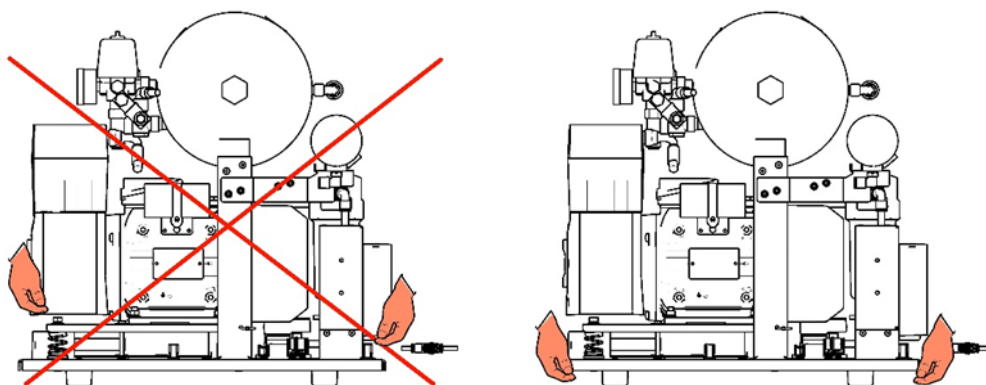
Urządzenie powinno zostać zainstalowane przez wykwalifikowanego specjalistę.

- Wypakować sprężarkę z opakowania.

### 12.1. Obsługa i odłączanie sprężarki

- Ustawić sprężarkę w miejscu przyszłej pracy. (rys. 4)

Rys. 4

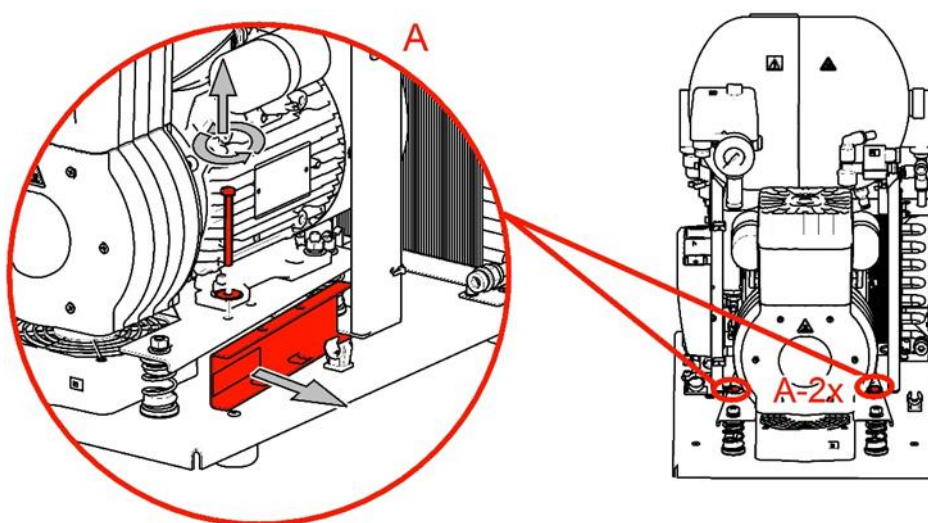


- Usunąć stabilizatory transportowe z agregatów. (rys. 5)



Po umieszczeniu i zainstalowaniu zespołu w miejscu ostatecznej instalacji należy usunąć wszystkie elementy zabezpieczające agregaty sprężarki!

Rys. 5



## 13. POŁĄCZENIA PNEUMATYCZNE

### 13.1. Podłączanie do wylotu sprężonego powietrza (rys. 6)

Podłączyć przewód ciśnieniowy zakończony z jednej strony szybkozłączem ślizgowym (1) do wylotu sprężonego powietrza (2) sprężarki i podłączyć wąż do instalacji sprężonego powietrza lub bezpośrednio do urządzenia, w tym przypadku do urządzenia stomatologicznego.



Rys. 6



Poprowadź wąż ciśnieniowy przez otwór w tylnej ścianie obudowy sprężarki z obudową. (rys. 7)

### 13.2. Montaż naczynia na kondensat (rys. 7)

- W przypadku sprężarki z osuszaczem podłącz przewód spustowy do naczynia na kondensat.
- Poprowadź wąż przez otwór w tylnej ścianie obudowy sprężarki z osuszaczem i podłącz go do naczynia.



Fig. 7



## 14. PRZYŁĄCZA ELEKTRYCZNE

Produkt jest dostarczany z wtyczką z bolcem ochronnym.



**Zapewnić pełną zgodność z lokalnymi przepisami elektrycznymi. Napięcie sieci oraz częstotliwość powinny odpowiadać danym na etykiecie urządzenia.**

- Ze względu na bezpieczeństwo gniazdo powinno być łatwo dostępne, aby w przypadku awarii urządzenie można było szybko odłączyć od sieci.
- Obwód prądu elektrycznego powinien być zabezpieczony maksymalnie bezpiecznikiem 16 A.



**Obudowa sprężarki modelu DK50-10S/M z ciśnieniem 10 barów jest wyposażona w wentylator chłodzący i przełącznik. Obudowa musi być podłączona za pomocą dostarczonego przewodu z wtyczką do odpowiedniego złącza na panelu elektrycznym sprężarki. (Rys. 4)**



**Upewnić się, że przewód elektryczny nie dotyka gorących elementów sprężarki. Niebezpieczeństwo porażenia prądem elektrycznym!**



**Jeżeli którykolwiek przewód elektryczny lub powietrzny uległ uszkodzeniu, musi zostać natychmiast wymieniony.**

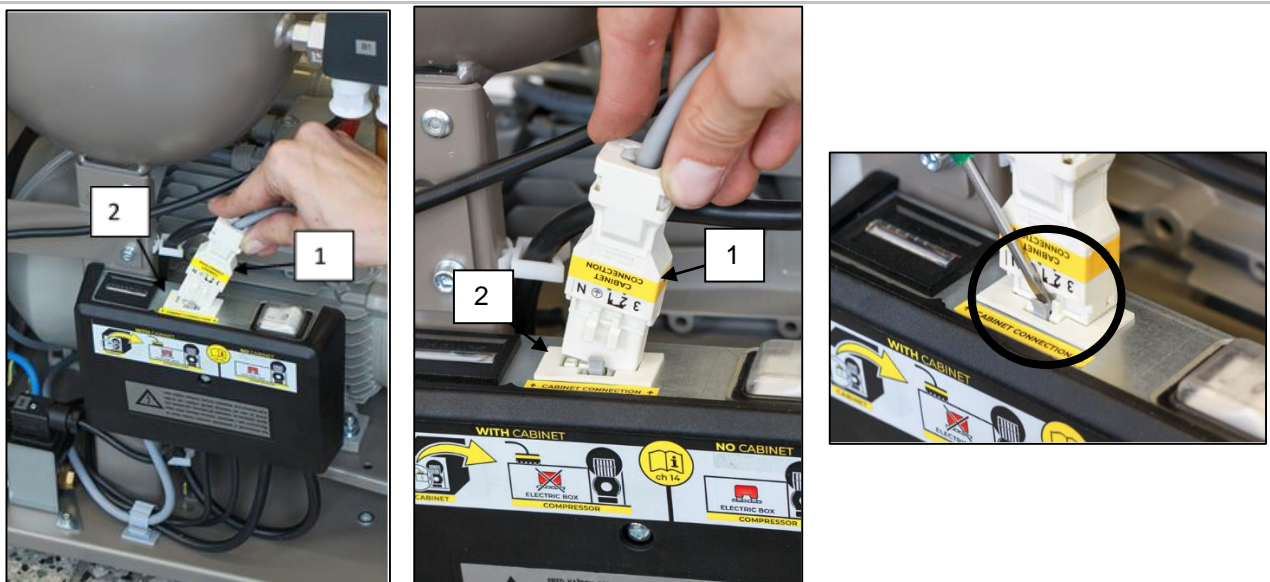
#### 14.1. Podłączanie sprężarki niezamontowanej w obudowie

- Włóż wtyczkę przewodu zasilającego do gniazda sieciowego.
- Sprężarka jest gotowa do działania.

#### 14.2. Podłączanie sprężarki zamontowanej w obudowie

- Przelóż wtyczkę przewodu zasilającego przez otwór w tylnej ścianie obudowy sprężarki zamontowanej w obudowie.
- Połącz elektrycznie obudowę ze sprężarką DK50-10 S/M (8–10 barów), wkładając wtyczkę załączonego przewodu zasilania (1) do gniazda. (rys. 8)
- Zlikwiduj połączenie elektryczne obudowy ze sprężarką, wyjmując wtyczkę (1) z gniazda, po uprzednim zwolnieniu zatrzasku.

Rys. 8



15. SCHEMAT POŁĄCZEŃ

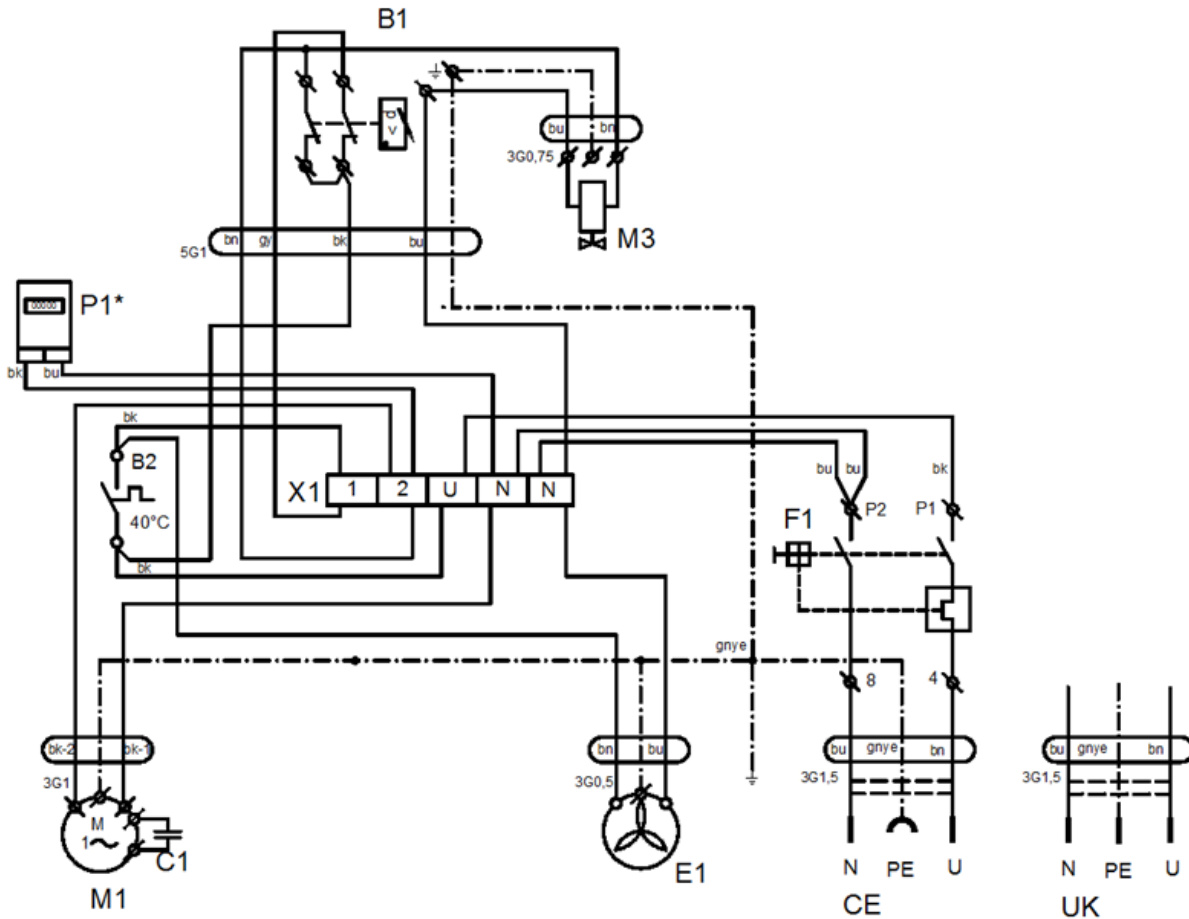
**DK50-10Z, DK50-10S**

**5 - 7 bar, 6 - 8 bar, 8 - 10 bar**

1/N/PE 230 V, 50/60 Hz

115 V, 60 Hz

PRODUKT ELEKTRYCZNY KLASY 1



P1\* - Licznik godzin instalowany tylko w modelach sprężarek 8-10 barów

**DK50-10**

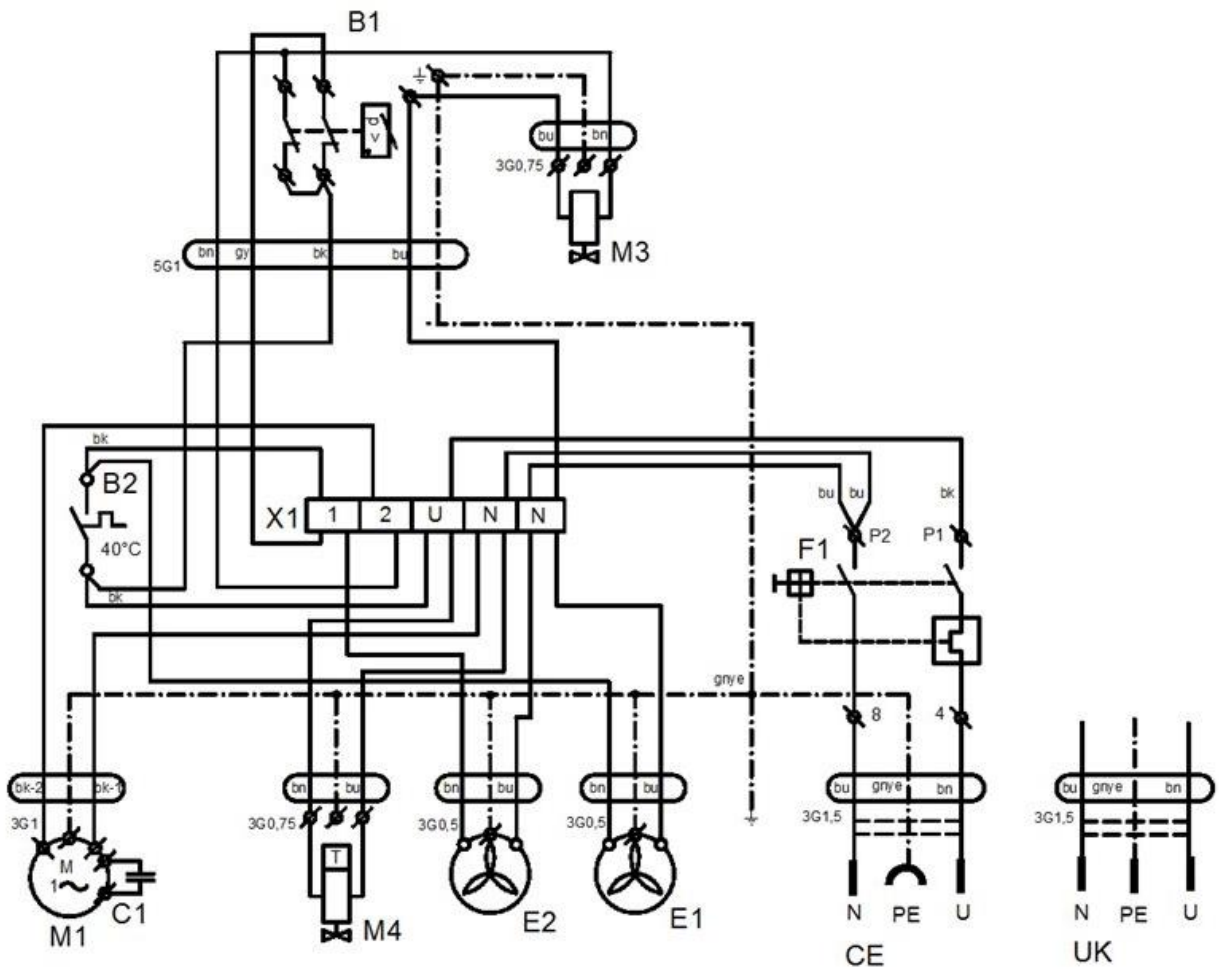
**DK50-10Z/M, DK50-10S/M**

**5 - 7 bar, 6 - 8 bar**

1/N/PE 230V, 50/60Hz

115V, 60Hz

PRODUKT ELEKTRYCZNY KLASY 1



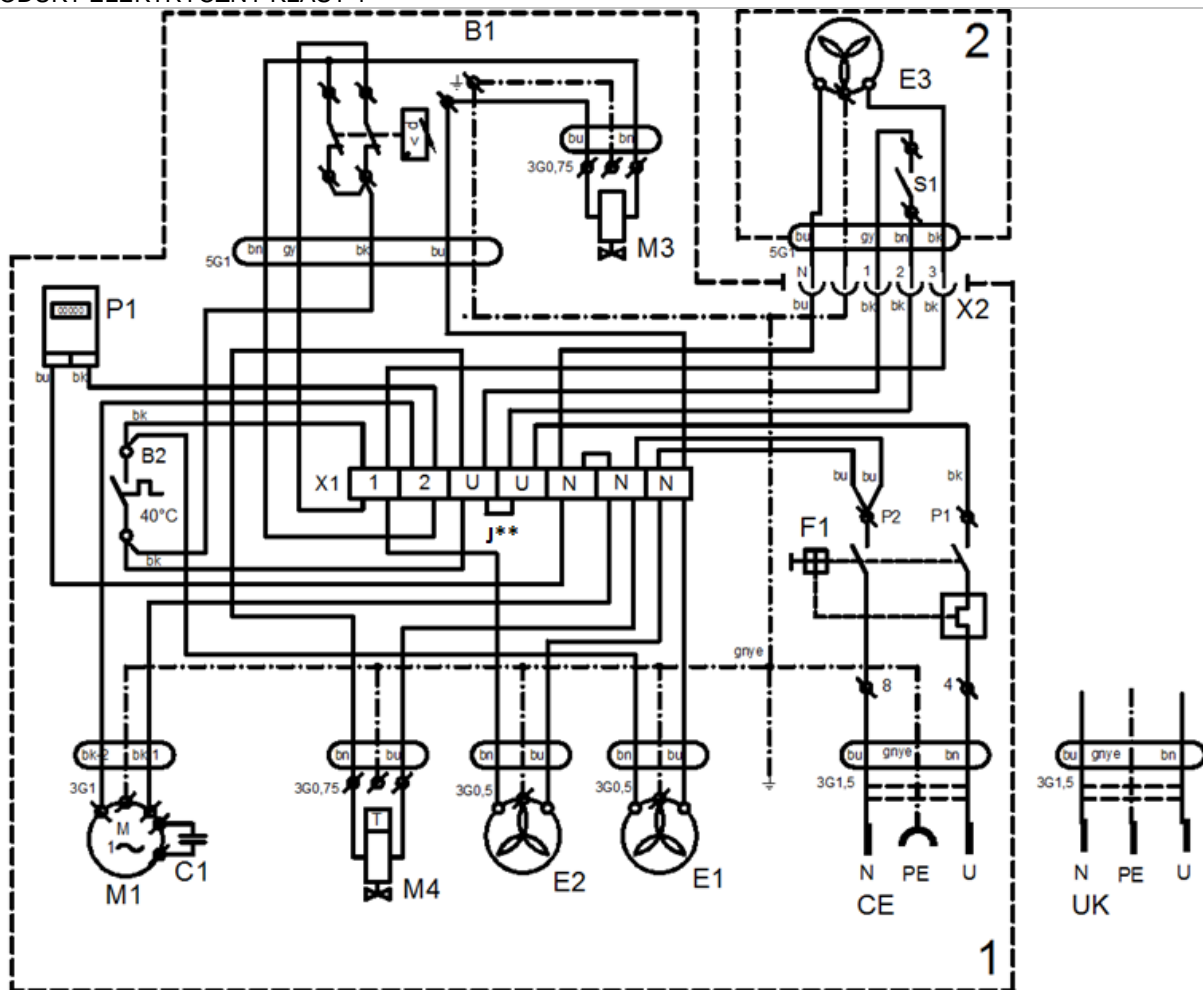
**DK50-10Z/M, DK50-10S/M**

**8 - 10 bar**

1/N1PE 230 V, 50/60 Hz

115 V, 60 Hz

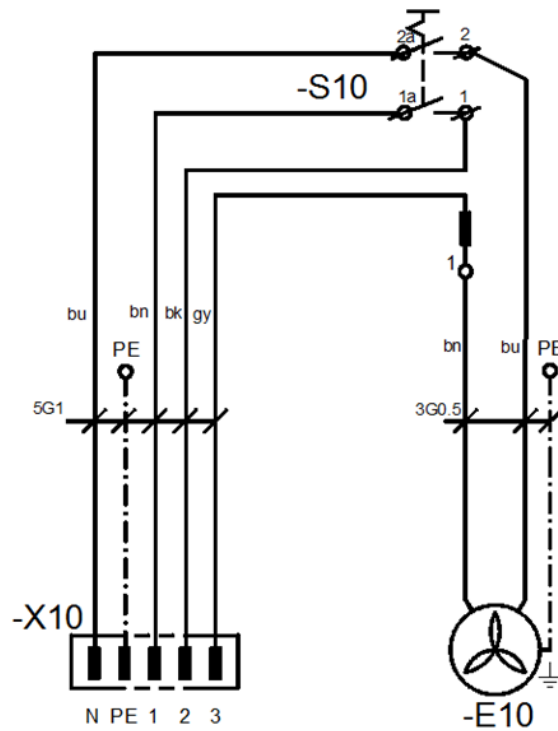
PRODUKT ELEKTRYCZNY KLASY 1



J\*\* - Łącznik podłączyć tylko w modelach sprężarek niemontowanych w obudowie (rozdz. 19.10)

1-Sprężarka  
2-Obudowa

P1\* - Licznik godzin instalowany tylko w modelach sprężarek 8-10 barów



**Legenda schematu połączeń elektrycznych**

M1	Silnik sprężarki	C1	Kondensator
E1	Wentylator sprężarki	B1	Przełącznik ciśnieniowy
E2	Wentylator osuszacza	X1	Skrzynka zaciskowa
M3	Zawór bezpieczeństwa	F1	Wyłącznik
B2	Wyłącznik temperaturowy	M4	Zawór spustowy kondensatu
E3,E10	Wentylator obudowy	P1	Licznik godzin
X10, X2	Złącze	S10	Przełącznik

**EKSPLOATACJA**

**URZĄDZENIE MOŻE OBSŁUGIWAĆ TYLKO PRZESZKOLONY PERSONEL !**



**W RAZIE NIEBEZPIECZEŃSTWA NALEŻY ODŁĄCZYĆ SPRĘŻARKĘ OD SIECI ELEKTRYCZNEJ (WYCIĄGNAĆ WTYCZKĘ PRZEWODU).**



**AGREGAT SPRĘŻARKI MA GORAĆ POWIERZCHNIE. DOTKNIĘCIE GROZI OPARZENIEM LUB ZAPŁONEM.**



Przy dłuższym biegu sprężarki temperatura w obudowie wzrośnie powyżej 40°C i w takim wypadku zostanie automatycznie włączony wentylator chłodzący. Po ochłodzeniu środowiska poniżej 32°C wentylator zostanie wyłączony.



**Automatyczne uruchomienie:** kiedy ciśnienie w zbiorniku ciśnieniowym spadnie poniżej ciśnienia włączającego, sprężarka automatycznie się włączy. Kiedy ciśnienie w zbiorniku powietrza osiągnie wartość wyłączającą, sprężarka automatycznie się wyłączy.



Nie można zmieniać ustawień ciśnienia roboczego przełącznika ciśnieniowego ustalonego przez producenta. Praca kompresora przy ciśnieniu roboczym poniżej ciśnienia załączania oznacza duże zużycie powietrza (patrz rozdział Usterki)



Wymagana wydajność osuszania może być osiągnięta tylko przy zachowaniu określonych warunków roboczych!



Jeżeli osuszacz będzie pracował przy ciśnieniu poniżej minimalnego ciśnienia roboczego, jego wydajność pogorszy się i spadnie osiągnięty punkt rosy!



**EKSPLOATACJA OSUSZACZA W TEMPERATURZE WYŻSZEJ NIŻ MAKSYMALNA TEMPERATURA ROBOCZA GROZI USZKODZENIEM URZĄDZENIA!**

**16. URUCHOMIENIE**

- Upewnić się, że wszystkie stabilizatory transportowe zostały usunięte.
- Skontrolować prawidłowość podłączenia przewodów powietrza sprężonego.
- Sprawdzić, czy zasilanie jest prawidłowo podłączone do sprężarki.
- Sprawdzić położenie wyłącznika; powinien być w pozycji „I”; jeżeli wyłącznik (4) znajduje się w pozycji „0”, należy ustawić go w pozycji „I”. (rys. 9)
- Sprawdź, czy obudowa sprężarki DK50-10S/M (wyłącznie modele 8–10 barów) jest podłączona do sprężarki za pomocą przewodu z wtyczką. (rys. 3)
- W przypadku sprężarek DK50-10 S/M (8–10 barów), przestaw wyłącznik (5) znajdujący się z przodu obudowy do pozycji „I”. Zielony kolor wskaźnika oznacza, że urządzenie jest gotowe do pracy. (rys. 9)



**Sprężarka nie zawiera rezerwowego źródła energii elektrycznej.**

## 17. WŁĄCZANIE SPRĘŻARKI

(rys. 9)

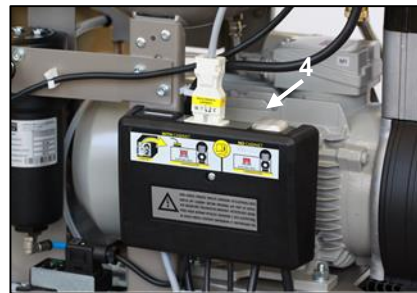
Uruchom sprężarkę (bez obudowy) przy przełączniku ciśnienia (1), ustawiając przełącznik (2) w pozycji „I”. Spowoduje to uruchomienie sprężarki i napełnienie zbiornika do ciśnienia odcięcia, które spowoduje wyłączenie sprężarki.

Uruchom sprężarkę DK50-10 S/M (8–10 barów) (z obudową) przy przełączniku (5) z przodu obudowy. Zapali się zielona lampka. Nastąpi uruchomienie sprężarki i napełnienie zbiornika do ciśnienia odcięcia, które spowoduje wyłączenie sprężarki.

Sprężarka pracuje w trybie automatycznym, włączana i wyłączana przez wyłącznik ciśnieniowy, w zależności od zużycia sprężonego powietrza.

Sprawdzić wartości ciśnienia załączania i wyłączania za pomocą ciśnieniomierza (3). Dopuszczalna jest tolerancja  $\pm 10\%$ . Ciśnienie w zbiorniku powietrza nie może przekraczać dozwolonego ciśnienia roboczego.

Rys. 9



**Zmiana zakresu ciśnienia na przełączniku ciśnienia sprężarki jest zabroniona. Przełącznik ciśnienia (1) został ustanowiony przez producenta i tylko wykwalifikowany technik wyszkolony przez producenta może przeprowadzać zmiany w ustawieniach.**

**Sprężarka** – po pierwszym uruchomieniu i oddaniu do eksploatacji sprężarka napełnia zbiornik powietrza, aż do momentu wyłączenia sprężarki ciśnieniem przez i wyłącznik ciśnieniowy. Sprężarka pracuje w trybie automatycznym, włączana i wyłączana przez wyłącznik ciśnieniowy, w zależności od zużycia sprężonego powietrza.

**Sprężarka z osuszaczem** – sprężarka pracuje w taki sam sposób, jak opisano wyżej, tylko sprężone powietrze przepływa przez chłodnicę, która usuwa wilgoć ze sprężonego powietrza.

## 18. WYŁĄCZENIE SPRĘŻARKI

(rys. 9)

Wyłączenie sprężarki w celu naprawy lub innego powodu odbywa się za pomocą przełącznika ciśnienia (1), poprzez obrócenie przełącznika (2) do pozycji „0” i **wyciągnięcie wtyczki z gniazda sieciowego**. W ten sposób kompresor zostaje odłączony od źródła zasilania. Spuść powietrze ze zbiornika powietrza, otwierając zawór spustowy. (rys. 10).

## KONSERWACJA

### 19. KONSERWACJA URZĄDZENIA

#### Ostrzeżenie!

Operator powinien zapewnić okresowe przeglądy urządzenia co najmniej raz na 24 miesiące (EN 62353) lub w odstępach czasu określonych przez obowiązujące krajowe przepisy prawne. Należy wypełnić protokół z tych wyników badań (np. EN 62353, załącznik G) wraz z metodami pomiarowymi.

Urządzenie zostało zaprojektowane i wyprodukowane w taki sposób, aby wymagało minimalnych nakładów konserwacyjnych. W celu zapewnienia prawidłowej i niezawodnej pracy sprężarki należy wykonać następujące czynności.



Przed rozpoczęciem prac konserwacyjnych należy sprawdzić, czy sprężarkę można odłączyć od urządzenia, aby wykluczyć ryzyko zranienia operatora dokonującego konserwacji oraz ryzyko wystąpienia innych szkód materiałowych!



Części agregatu (głowica, cylinder, wąż ciśnieniowy itp.) są bardzo gorące podczas pracy sprężarki i krótko po zakończeniu jej pracy – nie wolno ich dotykać!



Prace remontowe, wykraczające poza zwykłe czynności konserwacyjne, może wykonywać tylko wykwalifikowany serwis lub serwis producenta. Należy stosować wyłącznie części zamienne oraz wyposażenie wskazane przez producenta.



**PRZY SPUSZCZANIU SPRĘŻONEGO POWIETRZA Z OBWODU SPRĘŻONEGO POWIETRZA (ZBIORNIKA POWIETRZA) NALEŻY MIEĆ ZAŁOŻONE OKULARY OCHRONNE.**

Sprężarka o ciśnieniu 8–10 barów jest wyposażona w licznik godzin (rys. 3)

Poniższe czynności mogą być wykonywane wyłącznie przez przeszkolony personel w następujący sposób:



**PRZED PRYZYSTAPIENIEM DO JAKICHKOLWIEK PRAC KONSERWACYJNYCH NALEŻY ODŁĄCZYĆ SPRĘŻARKĘ OD ZASILANIA (WYJĄC WTYCZKĘ Z GNIAZDA SIECIOWEGO) I SPUŚCIĆ POWIETRZE ZE ZBIORNIKA POWIETRZA.**



Przed konserwacją, serwisem lub podłączeniem bądź odłączeniem dolotu sprężonego powietrza poczekać, aż urządzenie ostygnie!



Po zakończeniu prac serwisowych z powrotem podłączyć przewód uziemienia w dawnym miejscu, jeśli został odłączony.

W celu przeprowadzenia prac konserwacyjnych lub naprawczych sprężarkę można wyjąć z obudowy (wyciągając ją na kółkach na odległość, na jaką pozwala przewód łączący sprężarkę z obudową). Zobacz również rozdz. 19.). Następnie można przeprowadzić prace naprawcze lub konserwacyjne.

Jeżeli przewód łączący sprężarkę i obudowę odłączy się (nastąpi wypadnięcie wtyczki sieciowej, rozdz. 14.2.), sprężarka nie będzie działała. Aby przywrócić funkcjonalność sprężarki, należy wykonać czynności opisane w rozdz. 14.2, 19.10 lub 19.11.

## 19.1. Interwały konserwacyjne

Odstęp czasu <sup>c)</sup>	50 Hz		raz dziennie	Raz na tydzień	raz na rok	raz na 2 lata	2000 godzin		4000 godzin		6000 godzin		8000 godzin		10000 godzin		12000 godzin		Rozdział	Zestaw części zamiennych	Serwisant
	60 Hz						1600 godzin	3200 godzin	4800 godzin	6400 godzin	8000 godzin	9600 godzin	12000 godzin	10000 godzin	8000 godzin	6400 godzin	4800 godzin	3200 godzin			
Przeglądy działania produktu			X																19.2	-	użytkownik
Spuścić kondensat ze zbiornika powietrza – przy dużej wilgotności względnej <sup>b)</sup> -- Wylać kondensat z naczynia <sup>d)</sup>			X																19.5	-	użytkownik
Spuścić kondensat ze zbiornika powietrza <sup>b)</sup> – przy normalnej wilgotności względnej				X															19.5	-	użytkownik
Kontrola funkcjonowania produktu				X															9	-	użytkownik
Sprawdzić szczelność połączeń i wykonać przegląd urządzenia					X														19.3	-	wykwalifikowany profesjonalista
Kontrola przyłączy elektrycznych					X														19.4	-	wykwalifikowany profesjonalista
Kontrola chłodnicy i wentylatora					X														19.9	-	wykwalifikowany profesjonalista
Wymiana elementu filtracyjnego w filtrze osuszacza					X														19.8	025200304-000	wykwalifikowany profesjonalista
Kontrola zaworu bezpieczeństwa					X														19.6	-	wykwalifikowany profesjonalista
Wymiana filtra wlotowego agregatu <sup>a)</sup>						X								X					19.7	025200126-000	wykwalifikowany profesjonalista
Przeprowadzić „powtórny test” zgodnie z EN 62353						X													19.		wykwalifikowany profesjonalista

a) dane podawane są w godzinach; jeżeli nie jest to możliwe, dane są rozpatrywane w latach

b) tylko dla sprężarek bez osuszaczy

c) W modelach sprężarek 60 Hz odstęp czasowy w godzinach należy skrócić o 20%

(2000h./1600h., 4000h./3200h., 6000h./4800h., 8000h./6400h., 10000h./8000h., 12000h./9600h.)

d) dotyczy tylko sprężarek z suszarką

### 19.2. Kontrole operacyjne

- Sprawdzić stan agregatu – agregaty powinny pracować normalnie bez nadmiernych wibracji i hałasu. W przypadku wykrycia usterki rozwiązać wszelkie problemy lub skontaktować się z personelem serwisowym.
- Sprawdzić wzrokowo pracę wentylatora – wentylatory muszą pracować podczas pracy agregatów. W przypadku wykrycia usterki rozwiązać wszelkie problemy lub skontaktować się z personelem serwisowym.
- Sprawdzić, czy kabel zasilający i węże pneumatyczne nie są uszkodzone. Wymienić uszkodzone części lub zadzwonić do serwisu.
- Sprawdzić temperaturę otoczenia – temperatura otoczenia musi być niższa niż limit temperatury (40 °C). Jeżeli temperatura jest za wysoka, ochłodzić przestrzeń.
- W wypadku sprężarki z osuszaczem – otworzyć korek w butli na kondensat, aby odprowadzić kondensat.

### 19.3. Sprawdzanie połączeń pneumatycznych pod kątem wycieków i przegląd urządzenia

#### Sprawdzanie wycieków:

- Przeprowadzić inspekcję wycieków z połączeń pneumatycznych podczas działania sprężarki – sprężania.
- Sprawdzić połączenia pod kątem szczelności przy użyciu analizatora przecieków lub wody z mydłem. Dokręcić lub uszczelnić połączenie w miejscu wystąpienia nieszczelności.

#### Przegląd urządzenia:

- Sprawdzić stan agregatu sprężarki pod względem normalnej pracy i poziomu hałasu.
- Kontrola pracy wentylatora – wentylatory muszą pracować podczas zdefiniowanych cykli roboczych sprężarki
- Sprawdzić pracę wyłącznika temperaturowego (B2) – podgrzać wyłącznik temperaturowy do temperatury powyżej 40°C (np. za pomocą pistoletu grzewczego – uważać, aby nie stopić żadnych plastikowych elementów). Wentylator EV1 (oraz EV2 w wypadku sprężarki z osuszaczem) zostanie uruchomiony po osiągnięciu temperatury 40°C dopóki do sprężarki jest podłączone zasilanie.
- Sprawdzić stan filtra – filtry muszą być nieuszkodzone i wystarczająco czyste.
- Sprawdzić stan agregatu i upewnić się, że nie ma zanieczyszczeń w skrzyni korbowej lub luzu w wale korbowym.

W razie potrzeby wymienić uszkodzone części.

### 19.4. Kontrola przyłączy elektrycznych



**Sprawdzić, czy wszystkie przyłącza elektryczne urządzenia są odłączone od zasilania!**

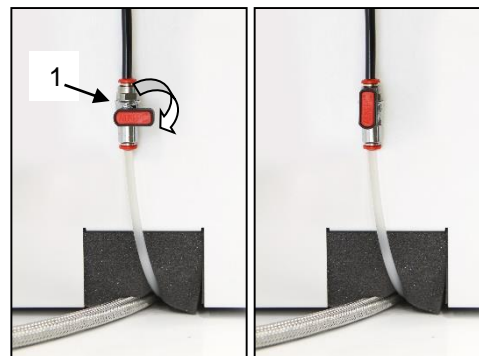
#### Kontrola

- Sprawdzić mechaniczną funkcję wyłącznika głównego.
- Sprawdzić, czy kabel zasilający i podłączone przewody nie są uszkodzone.
- Sprawdzić wzrokowo podłączenie poszczególnych kabli do listwy zaciskowej.
- Skontrolować wszystkie zaciski śrubowe pod kątem zielonego i żółtego przewodu ochronnego PE.

### 19.5. Spust kondensatu

#### Sprężarki (rys. 10)

Zaleca się opróżnianie zbiornika ciśnieniowego z kondensatu podczas normalnej eksploatacji. Odłącz sprężarkę od sieci zasilającej i obniż ciśnienie do maks. 1 bara, np. poprzez odpowietrzenie podłączonego urządzenia. Włóż wąż z zaworem spustowym do przygotowanego wcześniej naczynia i otwórz zawór spustowy (1) w celu usunięcia kondensatu ze zbiornika.



Rys. 10



**Ostrożnie i powoli otworzyć zawór spustowy. Szybkie otwarcie zaworu spustowego spowoduje powstanie głośnego dźwięku i niekontrolowany wypływ nagromadzonego kondensatu.**

Sprężarki bez osuszacza mogą być wyposażone w automatyczny spust kondensatu, który odprowadza kondensat bez udziału operatora (zobacz rozdz. 8.2.).

#### Sprężarki z osuszaczem (rys. 11)

Kondensat ze sprężarek z osuszaczem powietrza jest automatycznie odprowadzany do butli. Butla musi być regularnie opróżniana.



Rys. 11



**Poziom płynu w naczyniu należy monitorować za pomocą oznaczeń 1 l lub 2 l (w zależności od pojemności naczynia). Kondensat należy spuszczać przynajmniej raz dziennie. Jeśli kondensat nie będzie spuszczał w określonym czasie, może dojść do przepełnienia naczynia.**



**Ryzyko poślizgnięcia się na mokrej podłodze w przypadku przepełnienia naczynia.**



**PRZED KOLEJNYMI PRZEGLĄDAMI WYMAGANE SĄ NASTĘPUJĄCE CZYNNOŚCI:**

**W przypadku sprężarek DK50-10S i DK50-10S/M z obudową – zdejmij/podnieś obudowę.  
W przypadku sprężarki DK50-10S/M 10 z obudową o ciśnieniu 10 barów – zdejmij pokrywę obudowy, odłącz wtyczkę obudowy od złącza sprężarki i zdejmij/podnieś obudowę.**

### 19.6. Kontrola zaworu bezpieczeństwa

(rys. 12)

Przy pierwszym uruchomieniu sprężarki należy skontrolować prawidłowość funkcjonowania zaworu bezpieczeństwa. Śrubę (2) zaworu bezpieczeństwa (1) należy przekręcić kilka razy w lewo, zanim przez zawór bezpieczeństwa zostanie wydmuchnięte powietrze. Zawór bezpieczeństwa powinien odpowietrzyć się w ciągu kilku sekund. Przekręcić śrubę (2) w prawo aż do końca, zawór powinien być znów zamknięty.



Rys. 12



Nie używać zaworu bezpieczeństwa do odpowietrzania zbiornika powietrza. Może to spowodować uszkodzenie zaworu bezpieczeństwa. Zawór został ustawiony przez producenta na maksymalne dopuszczalne ciśnienie. Zmiany są zabronione!

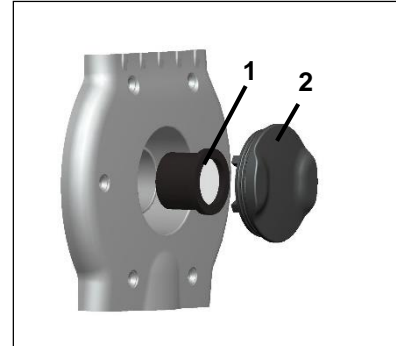


**OSTRZEŻENIE! SPRĘŻONE POWIETRZE JEST NIEBEZPIECZNE – MOŻE SPOWODOWAĆ OBRAŻENIA OCZU! RYZYKO USZKODZENIA OCZU.**

### 19.7. Wymiana filtra wlotowego

(rys. 13)

- Wyciągnąć gumową zatyczkę (2).
- Usunąć zanieczyszczony filtr wlotowy (1).
- Włożyć nowy filtr i dopasować gumową zatyczkę

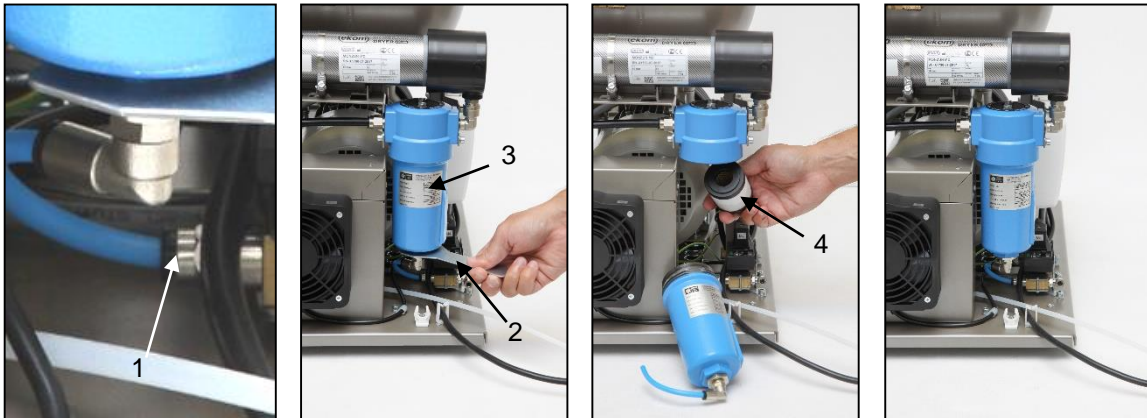


Rys. 13

### 19.8. Wymiana elementu filtracyjnego

(rys. 14)

- Wyjąć wąż (1) z szybkozłącza.
- Użyć klucza (2) do zwolnienia naczynia filtracyjnego (3) i wyjąć je.
- Wkład filtracyjny (4), demontujemy pociągając go w dół..
- Włożyć nowy wkład filtracyjny.
- Zainstalować ponownie naczynie filtracyjne.
- Dokręcić delikatnie naczynie filtracyjne za pomocą klucza.
- Zamontować wąż na szybkozłączu.



Rys. 14

### 19.9. Kontrola chłodnicy i wentylatora (rys. 2)

Urządzenia, w szczególności wentylator sprężarki, wentylator chłodnicy (21) oraz chłodnica (14), muszą być utrzymywane w czystości, aby efektywnie działały. Usuń kurz z powierzchni wentylatora i łopatek chłodnicy za pomocą odkurzacza lub sprężonego powietrza.

### 19.10. Procedura podłączania sprężarki odłączonej od obudowy



**Przed każdą naprawą bieżącą lub pracą remontową sprężarkę należy odłączyć od sieci elektrycznej (przez wyciągnięcie wtyczki z gniazdka).**

Aby sprężarka (bez obudowy) działała prawidłowo, przewód zawsze musi być przymocowany do listwy zaciskowej (rys. 15, poz. B). Wówczas zastępuje on przełącznik na obudowie.



**Jeśli do listwy zaciskowej nie zostanie podłączony przewód sprężarki (odłączony od obudowy), sprężarka nie będzie działać!**

Jeżeli przewód łączący sprężarkę i obudowę zostanie odłączony (poprzez wyjęcie wtyczki sieciowej) i sprężarka zostanie wyjęta z obudowy, urządzenie nie będzie działać. Dlatego najpierw należy utworzyć połączenie z listwą zaciskową za pomocą przewodu (zastępując funkcje bezpiecznika) (rys. 15).

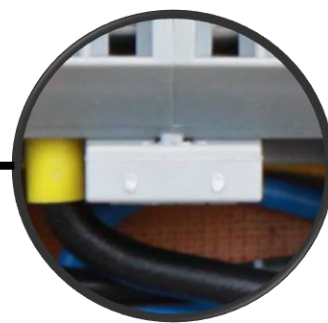
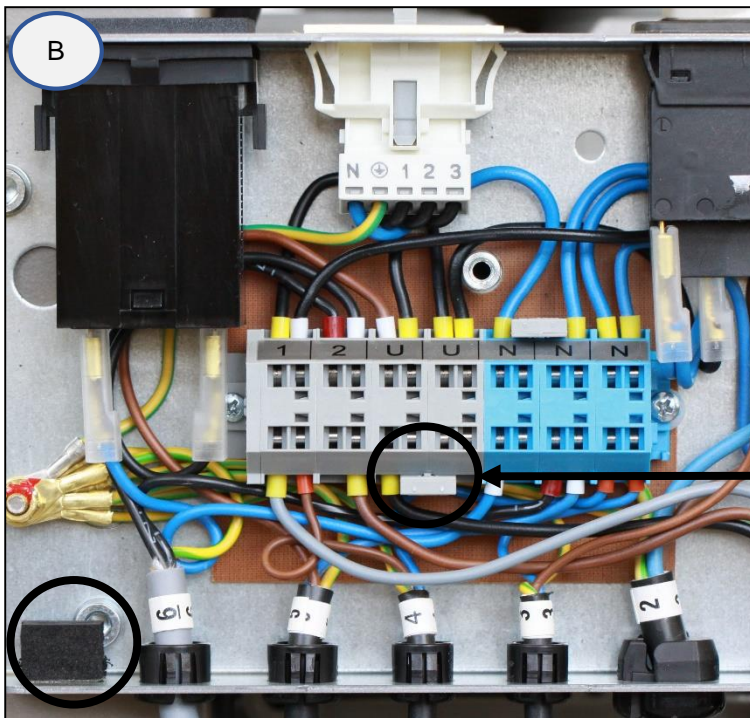
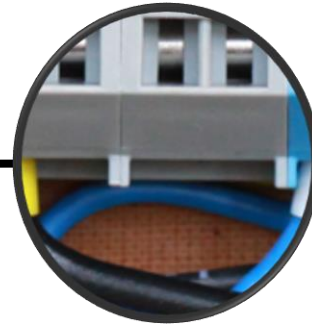
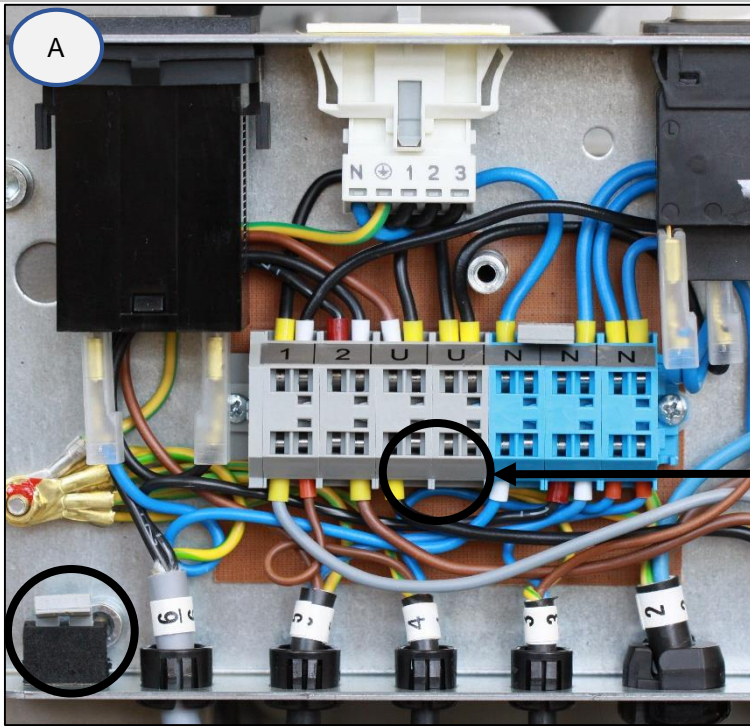
#### **PROCES (rys. 15):**

##### **Instalacja przewodu (proces A-B)**

- Odłącz urządzenie od sieci, wyjmując wtyczkę przewodu zasilania z gniazda.
- Zdejmij osłonę tablicy elektrycznej (na sprężarce).
- Przewód połączeniowy nie jest podłączony do listwy zaciskowej – A.
- Połącz przewód połączeniowy z listwą zaciskową – B.
- Z powrotem zamontuj osłonę tablicy elektrycznej.
- Podłącz urządzenie do sieci zasilającej.
- Włącz sprężarkę, obracając przełącznik na przełączniku ciśnienia.

Sprężarka – aby działała poza obudową, **KONIECZNE** jest utworzenie połączenia elektrycznego za pomocą przewodu połączeniowego (rys. 15, poz. B).

Rys. 15



230V

### 19.11. Procedura podłączania sprężarki do nowej obudowy



Przed każdą naprawą bieżącą lub pracą remontową sprężarkę należy odłączyć od sieci elektrycznej (przez wyciągnięcie wtyczki z gniazdka).

Aby sprężarka w obudowie działała prawidłowo, nie można podłączać przewodu połączeniowego do listwy zaciskowej (rys. 15, poz. A). Przełącznik na obudowie włącza i wyłącza całe urządzenie, w tym także sprężarkę.



Jeśli do listwy zaciskowej sprężarki podłączonej do obudowy jest podłączony przewód połączeniowy, przełącznik na obudowie sprężarki nie będzie działać!

Aby podłączyć do nowej obudowy sprężarkę, która wcześniej działała samodzielnie (bez obudowy), należy zlikwidować połączenie z listwą zaciskową sprężarki, postępując wg procedury opisanej niżej. Rys. 15). (Zobacz również rozdz. 14.1 i 14.2)

#### PROCES (rys. 15):

##### Usuwanie przewodu połączeniowego (proces B-A)

- Odłącz urządzenie od sieci, wyjmując wtyczkę przewodu zasilania z gniazda.
- Zdejmij osłonę tablicy elektrycznej (na sprężarce).
- Przewód połączeniowy jest podłączony do listwy zaciskowej – B.
- Odłącz przewód połączeniowy od listwy zaciskowej – A.
- Z powrotem zamontuj osłonę tablicy elektrycznej.
- Włóż sprężarkę do obudowy.
- Połącz obudowę ze sprężarką, wkładając wtyczkę przewodu zasilania (1) do gniazda zasilania (2). (rys. 8)
- Podłącz urządzenie do sieci zasilającej
- Włącz sprężarkę, obracając przełącznik na przełączniku ciśnienia i przełącznik (5) na obudowie, rys. 9.

Sprężarka z obudową – gdy sprężarka działa w obudowie, **NIE MOŻE** być połączenia elektrycznego. (Rys. 15, poz. A)

Uwaga: **Jeśli sprężarka jest używana bez obudowy lub konieczne jest przeprowadzenie czynności konserwacyjnych, przewód połączeniowy odłączony od listwy zaciskowej należy przechowywać** w wyznaczonym miejscu obok tablicy elektrycznej.

### 19.12. Czyszczenie i dezynfekcja powierzchni zewnętrznych produktu

Do czyszczenia i dezynfekcji powierzchni zewnętrznych produktu należy używać środków neutralnych.



Używanie agresywnych środków czyszczących i dezynfekujących zawierających alkohol i chlorki może doprowadzić do uszkodzenia powierzchni i zmiany koloru produktu.

**ROZWIĄZYWANIE PROBLEMÓW**

**OSTRZEŻENIE! PRZED PRZYSTĄPIENIEM DO PRACY NALEŻY OBNIŻYĆ CIŚNIENIE POWIETRZA W ZBIORNIKU POWIETRZA DO ZERA I ODŁĄCZYĆ URZĄDZENIE OD SIECI ELEKTRYCZNEJ.**

Sprzęt, w szczególności wentylator chłodzący, należy utrzymywać w czystości, aby zapewnić jego długotrwałą efektywność – łopatki wentylatora należy od czasu do czasu oczyścić z kurzu.

Czynności związane z usuwaniem usterek może wykonywać tylko przeszkolony serwisant.

USTERKI	MOŻLIWA PRZYCZYNA	SPOSÓB USUNIĘCIA
Nie można uruchomić sprężarki	Brak napięcia na włączniku ciśnieniowym  Uszkodzenie uzwojenia silnika, uszkodzenie termiczne zabezpieczenie przeciążeniowe Niesprawny kondensator Zamknięty tłok i inne części obrotowe Włącznik ciśnieniowy nie włącza się	Sprawdź napięcie w gnieździe Sprawdzenie przełącznika głównego – przekręć przełącznik (4) do pozycji „I”. (rys. 9) Luźny przewód na zacisku – dokręć Sprawdź przewód elektryczny – wymień uszkodzony przewód Przekręć przełącznik (2) na przełączniku ciśnienia (1) (rys. 9) Sprężarka w obudowie – nie podłączona do obudowy przewodem – utwórz połączenie za pomocą przewodu z obudowy (rozd. 14) Sprężarka (bez obudowy), która wcześniej działała w obudowie – brak połączenia z listwą zaciskową (rozd. 19.10)  Wymień silnik lub uzwojenie  Wymień kondensator Wymień uszkodzone części Skontrolować funkcjonowanie włącznika ciśnieniowego
Przełącznik na obudowie nie wyłącza sprężarki	W obudowie znajduje się sprężarka, która wcześniej była używana osobno (do listwy zaciskowej jest podłączony przewód połączeniowy)	Odłącz przewód połączeniowy od listwy zaciskowej, zobacz rozdz. 19.11
Sprężarka często się włącza	Uływ powietrza w systemie dystrybucji sprężonego powietrza Przeciekający zawór zwrotny  W zbiorniku ciśnieniowym znajduje się dużo skondensowanej cieczy Niska wydajność sprężarki	Kontrola rozrządu pneumatycznego – nieszczelne połączenia uszczelnij Wyczyść zawór zwrotny, wymień uszczelki, wymień zawór zwrotny Wypuść skondensowaną ciecz Sprawdź czas potrzebny do napełnienia zbiornika powietrznego
Niskie ciśnienie w zbiorniku powietrza (sprężarka działa w trybie ciągłym)	Wysokie zużycie powietrza przez urządzenie, wyciek sprężonego powietrza z pneumatycznego układu rozprowadzenia powietrza, niska wydajność agregatu Usterka agregatu Suszarka działa nieprawidłowo	Zmniejsz zużycie powietrza Użyj sprężarki o większej pojemności Sprawdź układ pneumatyczny – uszczelnij luźne połączenia Oczyść lub wymień pompę Oczyść lub wymień pompę Wymień osuszacz

Przedłużona praca sprężarki	Wyciek z pneumatycznego układu rozprowadzenia powietrza Zużyty pierścień tłokowa Filtr wlotowy jest zanieczyszczony Wadliwa funkcja zaworu elektromagnetycznego	Kontrola systemu dystrybucji sprężonego powietrza – uszczelnić nieszczelne połączenia Wymienić zużyty pierścień tłokowy Wymienić stary filtr na nowy Naprawić lub wymienić zawór lub cewkę
Sprężarka głośno pracuje (stukanie, metaliczne dźwięki)	Uszkodzone łożysko tłoka, korbówód Rozluźniona lub pęknięta sprężyna	Wymienić uszkodzone łożysko Wymienić uszkodzoną sprężynę
Osuszacz nie suszy (kondensat w powietrzu) *	Wentylator chłodzący nie działa	Wymienić wentylator Sprawdzić źródło zasilania
	Uszkodzony osuszacz	Wymienić osuszacz
	Automatyczny spust kondensatu nie działa	Oczyścić / wymienić

)\* Po awarii osuszacza należy dokładnie oczyścić wewnętrzne powierzchnie zbiornika powietrza i usunąć skroploną ciecz.

**Sprawdzić punkt rosy w punkcie rosy powietrza opuszczającego zbiornik (patrz rozdział 7 – Dane techniczne) w celu zabezpieczenia urządzenia przed uszkodzeniem!**

## 20. INFORMACJE DOTYCZĄCE USŁUGI NAPRAWY

Naprawy gwarancyjne i pogwarancyjne wykonuje producent, przedstawiciel producenta lub serwisanci autoryzowani przez producenta.

**Producent zastrzega sobie prawo do dokonywania zmian w urządzeniu bez uprzedzenia. Żadne takie zmiany nie będą miały wpływu na funkcjonalność urządzenia.**

## 21. PRZECHOWYWANIE

Jeśli sprężarka nie będzie używana przez dłuższy czas, należy spuścić cały kondensat ze zbiornika powietrza. Następnie włączyć sprężarkę na 10 minut, utrzymując zawór spustowy otwarty (1) (rys. 10). Wyłączyć sprężarkę za pomocą przełącznika (2) na przełączniku ciśnieniowym (1) (rys. 9), zamknąć zawór spustowy i odłączyć urządzenie od sieci elektrycznej.

## 22. UTYLIZACJA URZĄDZENIA

- Odłączyć urządzenie od sieci.
- Obniżyć ciśnienie powietrza zbiornika ciśnieniowego przez otwarcie zaworu do wypuszczania kondensatu (1) (rys. 10).
- Urządzenie należy utylizować zgodnie z obowiązującymi przepisami miejscowymi.
- Sortowanie i usuwanie odpadów należy powierzyć wyspecjalizowanej firmie.
- Zużyte komponenty nie mają negatywnego wpływu na środowisko.

**OBSAH**

<b>DÔLEŽITÉ INFORMÁCIE .....</b>	<b>195</b>
1. ZHODA S POŽIADAVKAMI SMERNÍC EURÓPSKEJ ÚNIE.....	195
2. ÚČEL URČENIA .....	195
3. KONTRAINDIKÁCIE A VEDĽAJŠIE ÚČINKY .....	195
4. UPOZORNENIA A SYMBOLY.....	195
5. UPOZORNENIA.....	196
6. SKLADOVACIE A PREPRAVNÉ PODMIENKY .....	198
7. TECHNICKÉ ÚDAJE .....	199
8. POPIS VÝROBKU .....	205
9. FUNKCIA VÝROBKU.....	206
10.PNEUMATICKÁ SCHÉMA.....	210
<b>INŠTALÁCIA .....</b>	<b>211</b>
11.PODMIENKY POUŽITIA.....	211
12.USTAVENIE KOMPRESORA.....	212
13.PNEUMATICKÉ PRIPOJENIE.....	213
14.ELEKTRICKÉ ZAPOJENIE.....	213
15.SCHÉMA ZAPOJENIA.....	215
<b>OBSLUHA .....</b>	<b>219</b>
16.PRVE UVEDENIE DO PREVÁDZKY .....	219
17.ZAPNUTIE KOMPRESORA .....	220
18.VYPNUTIE KOMPRESORA .....	220
<b>ÚDRŽBA.....</b>	<b>221</b>
19.ÚDRŽBA VÝROBKU.....	221
<b>VYHĽADÁVANIE PORÚCH A ICH ODSTRÁNENIE.....</b>	<b>229</b>
20.INFORMÁCIE O OPRAVÁRENSKEJ SLUŽBE .....	230
21.ODSTAVENIE .....	230
22.LIKVIDÁCIA PRÍSTROJA .....	230
<b>PRÍLOHA.....</b>	<b>268</b>
23.ZÁZNAM O INŠTALÁCII.....	273

## DÔLEŽITÉ INFORMÁCIE

### 1. ZHODA S POŽIADAVKAMI SMERNÍC EURÓPSKEJ ÚNIE

Tento výrobok je v zhode s požiadavkami Nariadenia (EÚ) o zdravotníckych pomôckach (MDR 2017/745) a je bezpečný na zamýšľané použitie pri dodržaní všetkých bezpečnostných pokynov..

### 2. ÚČEL URČENIA

Kompresor sa používa ako zdroj čistého bezolejového stlačeného vzduchu na napájanie aktívnych zdravotníckych pomôcok, kde stlačený vzduch vyhovuje svojimi parametrami a vlastnosťami.



**Vzduch kompresora bez ďalšej úpravy nie je vhodný na pripojenie k prístrojom na umelú ventiláciu pľúc.**

Akékoľvek použitie výrobku nad rámec účelu určenia sa považuje za nesprávne použitie. Výrobca nemôže niesť zodpovednosť za akékoľvek škody alebo zranenia v dôsledku nesprávneho použitia.

### 3. KONTRAINDIKÁCIE A VEDĽAJŠIE ÚČINKY

Nie sú známe žiadne kontraindikácie ani vedľajšie účinky

### 4. UPOZORNENIA A SYMBOLY

V návode na použitie, na obaloch a výrobku sa pre zvlášť dôležité údaje používajú nasledujúce pomenovania a symboly:



Všeobecné upozornenie



Výstraha



Pozor, nebezpečenstvo úrazu elektrickým prúdom



Pozri návod na použitie



Dodržiavaj návod na použitie



CE – označenie



Zdravotnícka pomôcka



Sériové číslo



Kompresor je ovládaný automaticky a môže sa spustiť bez výstrahy.



Pozor ! Horúci povrch.



Pripojenie ochranného vodiča



Manipulačná značka na obale – KREHKÉ



Manipulačná značka na obale – TÝMTO SMEROM NAHOR



Manipulačná značka na obale – CHRÁNIŤ PRED DAŽĎOM



Manipulačná značka na obale – TEPLOTNÉ MEDZE



Manipulačná značka na obale – OBMEDZENÉ STOHOVANIE



Značka na obale – RECYKLOVATEĽNÝ MATERIÁL



Výrobca

## 5. UPOZORNENIA

Výrobok je navrhnutý a vyrobený tak, aby pri stanovenom spôsobe používania bol bezpečný pre používateľa aj pre okolie. Preto je potrebné riadiť sa nasledujúcimi upozoreniami.

### 5.1. Všeobecné upozornenia

NÁVOD NA POUŽITIE SI PRED POUŽITÍM VÝROBKU STAROSTLIVO PREČÍTAJTE A USCHOVAJTE NA ĎALŠIE POUŽITIE!

- Návod na použitie slúži na správnu inštaláciu, obsluhu a údržbu výrobku. Presné rešpektovanie tohto návodu je predpokladom pre správne používanie v zmysle zamýšľaného použitia a správnu obsluhu výrobku.
- Originálny obal uschovať pre prípadné vrátenie zariadenia. Originálny obal zaručuje optimálnu ochranu výrobku počas prepravy. Ak bude počas záručnej lehoty potrebné výrobok vrátiť, výrobca neručí za škody spôsobené nesprávnym zabalením výrobku.
- Na škody, ktoré vznikli používaním iného príslušenstva ako predpisuje alebo odporúča výrobca, sa záruka nevzťahuje.
- Výrobca preberá zodpovednosť za bezpečnosť, spoľahlivosť a funkciu výrobku len vtedy, ak:
  - inštaláciu, nové nastavenia, zmeny, rozšírenia a opravy vykonáva výrobca alebo organizácia poverená výrobcom.
  - sa výrobok používa v súlade s návodom na použitie.

- Návod na použitie zodpovedá pri tlači vyhotoveniu výrobku a stavu podľa príslušných bezpečnostno-technických noriem. Výrobca si vyhradzuje všetky práva na ochranu pre uvedené zapojenia, metódy a názvy.
- Preklad návodu na použitie je vykonaný v súlade s najlepšimi znalosťami. V prípade nejasností platí slovenská verzia textu.
- Návod na použitie je pôvodný, preklad je vykonaný v súlade s najlepšimi znalosťami.

### 5.2. Všeobecné bezpečnostné upozornenia

Výrobca navrhol a vyrobil výrobok tak, aby boli minimalizované akékoľvek riziká pri správnom používaní podľa zamýšľaného použitia. Výrobca považuje za svoju povinnosť popísať nasledujúce všeobecné bezpečnostné opatrenia.

- Pri prevádzke výrobku treba rešpektovať zákony a regionálne predpisy platné v mieste používania. V záujme bezpečného priebehu práce sú za dodržiavanie predpisov zodpovední prevádzkovateľ a používateľ.
- Bezpečnosť obsluhujúceho personálu a bezporuchová prevádzka výrobku sú zaručené len pri používaní originálnych častí výrobku. Používať sa môže len príslušenstvo a náhradné diely uvedené v technickej dokumentácii alebo vyslovene povolené výrobcom.
- Pred každým použitím výrobku je potrebné, aby sa používateľ presvedčil o jeho riadnej funkcii a bezpečnom stave.
- Používateľ musí byť oboznámený s obsluhou prístroja.
- Výrobok nie je určený pre prevádzku v priestoroch, v ktorých hrozí nebezpečenstvo výbuchu.
- Ak v priamej súvislosti s prevádzkou prístroja nastane nežiaduca udalosť, používateľ je povinný o tejto udalosti neodkladne informovať svojho dodávateľa.
- V prípade závažnej nehody spôsobenej pomôckou by mal túto udalosť používateľ ohlásiť výrobcovi a príslušnému orgánu v členskom štáte, v ktorom má používateľ bydlisko.

### 5.3. Bezpečnostné upozornenia k ochrane pred elektrickým prúdom

- Zariadenie môže byť pripojené iba na riadne namontovanú zásuvku s ochranným pripojením.
- Pred pripojením výrobku sa musí skontrolovať, či sú sieťové napätie a sieťový kmitočet uvedené na výrobku v súlade s hodnotami napájajúcej siete.
- Pred uvedením výrobku do prevádzky treba skontrolovať prípadné poškodenia pripájaných vzduchových a elektrických rozvodov. Poškodené pneumatiké a elektrické vedenia sa musia ihneď vymeniť.
- Pri nebezpečných situáciách alebo technických poruchách je potrebné výrobok ihneď odpojiť zo siete (vytiahnuť sieťovú vidlicu).
- Pri všetkých prácach v súvislosti s opravami a údržbou musia byť:
  - sieťová vidlica vytiahnutá zo zásuvky
  - vypustený tlak z tlakovej nádrže a tlakové potrubia odvzdušnené
- Výrobok môže inštalovať len kvalifikovaný odborník.

## 6. SKLADOVACIE A PREPRAVNÉ PODMIENKY

Kompresor sa zo závodu zasiela v prepravnom obale. Tým je výrobok zabezpečený pred poškodením pri preprave.



**Pri preprave používať podľa možnosti vždy originálny obal kompresora. Kompresor prepravovať nastojato, vždy zaistený prepravným fixovaním.**



Počas prepravy a skladovania chrániť kompresor pred vlhkosťou, nečistotou a extrémnymi teplotami. Kompresory v originálnom obale sa môžu skladovať v teplých, suchých a bezprašných priestoroch. Neskladovať v priestoroch spolu s chemickými látkami.



Podľa možnosti si obalový materiál uschovajte. Ak nie je uschovanie možné, zlikvidujte ho šetrne k životnému prostrediu. Prepravný kartón sa môže vyhodiť so starým papierom.



**Kompresor sa smie prepravovať len bez tlaku. Pred prepravou nevyhnutne vypustiť tlak vzduchu z tlakovej nádrže a tlakových hadíc a vypustiť kondenzát zo vzdušníka.**



**Zariadenie je zakázané skladovať a prepravovať mimo definovaných podmienok, pozri nižšie.**

### Podmienky okolia pri skladovaní a preprave

Výrobky je možné skladovať v priestoroch a dopravných prostriedkoch bez stôp prchavých chemických látok za podmienok:

<b>Teplota</b>	-25°C až +55°C, do 24h až +70°C
<b>Relatívna vlhkosť</b>	max. 90% (bez kondenzácie)

## 7. TECHNICKÉ ÚDAJE

Kompresory sú konštruované pre prostredie suchých a vetraných vnútorných priestorov za podmienok:

**Teplota**

+5°C až +40°C

**Relatívna vlhkosť**

max. 70%

Tab. 1

5 – 7 bar		DK50-10 Z		DK50-10 S		DK50-10 Z/M		DK50-10 S/M	
Menovité napätie / frekvencia (*)	V / Hz	230 / 50/60	115 / 60	230 / 50/60	115 / 60	230 / 50/60	115 / 60	230 / 50/60	115 / 60
Výkonnosť pri pretlaku 5 bar	Lit.min-1	75/85	85	75/85	85	58/68	68	58/68	68
Pracovný tlak (**)	bar	5,0 – 7,0		5,0 – 7,0		5,0 – 7,0		5,0 – 7,0	
Menovitý prúd	A	3,8/4,8	8,9	3,8/4,8	8,9	4,1/5,1	9,1	4,1/5,1	9,1
Výkon motora	kW	0,55		0,55		0,55		0,55	
Objem vzdušníka	Lit.	10		10		10		10	
Kvalita vzduchu – filtrácia	µm	-		-		0,1		0,1	
Povolený prevádzkový tlak poistného ventilu	bar	8,0		8,0		8,0		8,0	
Hladina hluku pri pretlaku 5 bar	LpFA [dB]	≤64/≤66	≤66	≤46/≤49	≤49	≤65/≤67	≤67	≤49/≤52	≤52
Režim prevádzky		S1-100%		S1-100%		S1-100%		S1-100%	
Stupeň sušenia - PDP pri 7 bar		-		-		≤ +3°C		≤ +3°C	
Čas naplnenia vzdušníka z 0 do 6 bar	s	50/44	44	50/44	44	70/60	60	70/60	60
Rozmery (netto) š x h x v	mm	485x350x553		580x440x655		544x350x553		649x440x655	
Hmotnosť netto (***)	kg	38		53		44		61	
Klasifikácia podľa STN EN 60601-1		Trieda I.							

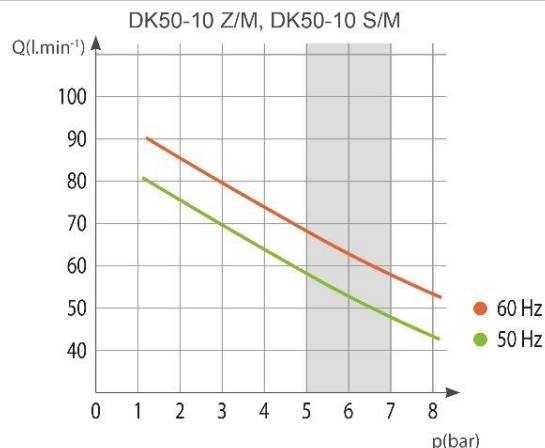
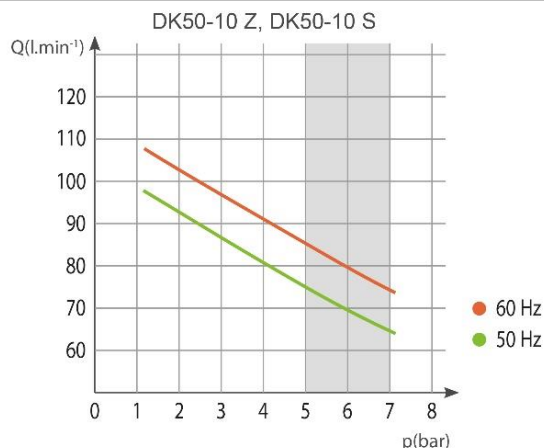
Poznámky:

(\*) Prevedenie kompresora uviesť pri objednávaní

(\*\*) Iný rozsah tlaku konzultovať s dodávateľom

(\*\*\*) Hodnota hmotnosti je informatívny údaj, platí len pre výrobok bez doplnkového vybavenia

### Závislosť výkonnosti kompresora od pracovného tlaku



Tab. 2

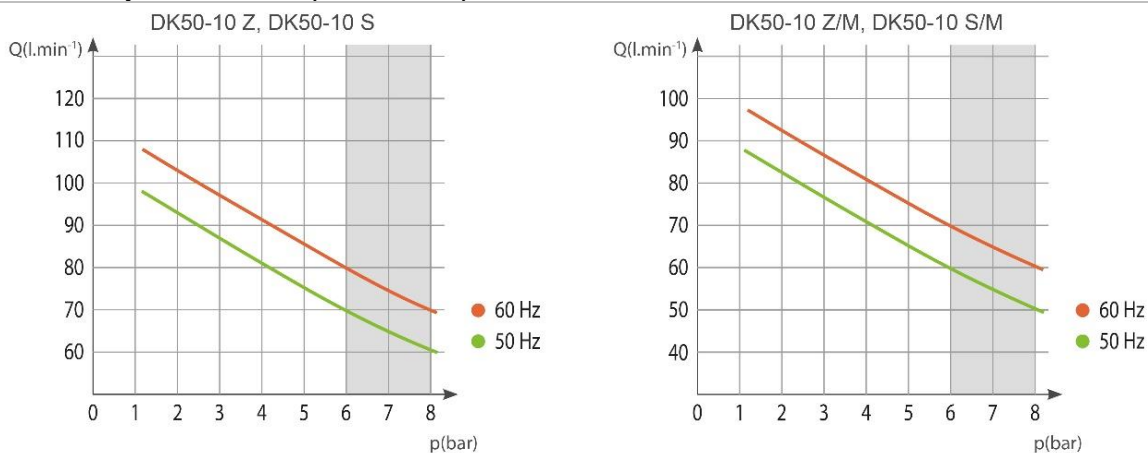
6 – 8 bar		DK50-10 Z		DK50-10 S		DK50-10 Z/M		DK50-10 S/M	
Menovité napätie , frekvencia (*)	V / Hz	230 / 50/60	115 / 60	230 / 50/60	115 / 60	230 / 50/60	115 / 60	230 / 50/60	115 / 60
Výkonnosť kompresora pri pretlaku 6bar	Lit.min-1	70/80	80	70/80	80	60/70	70	60/70	70
Pracovný tlak kompresora ( ** )	bar	6,0 – 8,0		6,0 – 8,0		6,0 – 8,0		6,0 – 8,0	
Menovitý prúd	A	3,9/4,9	9	3,9/4,9	9	4,1/5,1	9,2	4,1/5,1	9,2
Výkon motora	kW	0,55		0,55		0,55		0,55	
Objem vzdušníka	Lit.	10		10		10		10	
Kvalita vzduchu – filtrácia	µm	-		-		0,1		0,1	
Povolený prevádzkový tlak poistného ventilu	bar	12,0		12,0		12,0		12,0	
Hladina hluku pri pretlaku 5 bar	LpfA [dB]	≤64/≤66	≤66	≤46/≤49	≤49	≤65/≤67	≤67	≤49/≤52	≤52
Režim prevádzky		S1-100%		S1-100%		S1-100%		S1-100%	
Stupeň sušenia - PDP pri 7 bar		-		-		≤ +3°C		≤ +3°C	
Čas naplnenia vzdušníka z 0 do 7 bar	s	60/51	51	60/51	51	72/61	61	72/61	61
Rozmery netto š x h x v	mm	485x350x553		580x440x655		544x350x553		649x440x655	
Hmotnosť netto (***)	kg	38		53		44		61	
Klasifikácia podľa STN EN 60601-1		Trieda I.							

**Poznámky:**

(\*) Prevedenie kompresora uviesť pri objednávaní

(\*\*) Iný rozsah tlaku konzultovať s dodávateľom

(\*\*\*) Hodnota hmotnosti je informatívny údaj, platí len pre výrobok bez doplnkového vybavenia

**Závislosť výkonnosti kompresora od pracovného tlaku**


Tab. 3

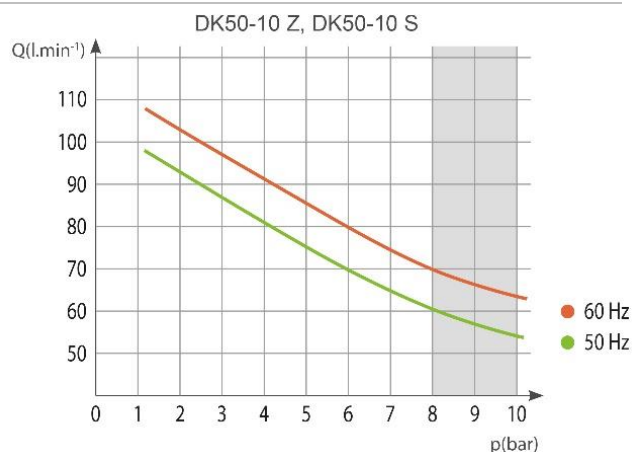
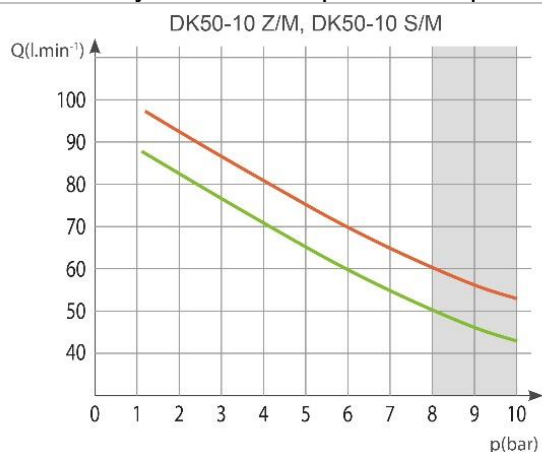
8 – 10 bar		DK50-10 Z		DK50-10 S		DK50-10 Z/M		DK50-10 S/M	
Menovité napätie , frekvencia (*)	V / Hz	230 / 50/60	115 / 60	230 / 50/60	115 / 60	230 / 50/60	115 / 60	230 / 50/60	115 / 60
Výkonnosť kompresora pri pretlaku 8bar	Lit.min-1	60/70	70	60/70	70	50/60	60	50/60	60
Pracovný tlak kompresora (**)	bar	8,0 – 10,0		8,0 – 10,0		8,0 – 10,0		8,0 – 10,0	
Menovitý prúd	A	4,1/5,1	9,2	4,1/5,1	9,2	4,3/5,3	9,4	4,4/5,4	9,4
Výkon motora	kW	0,55		0,55		0,55		0,55	
Objem vzdušníka	Lit.	10		10		10		10	
Kvalita vzduchu – filtrácia	µm	-		-		0,1		0,1	
Povolený prevádzkový tlak poistného ventilu	bar	12,0		12,0		12,0		12,0	
Hladina hluku pri pretlaku 5 bar	LpFA [dB]	≤64/≤66	≤66	≤46/≤49	≤49	≤65/≤67	≤67	≤49/≤52	≤52
Režim prevádzky		S1-100%		S1-100%		S1-100%		S1-100%	
Stupeň sušenia - PDP pri 7 bar		-		-		≤ +3°C		≤ +3°C	
Čas naplnenia vzdušníka z 0 do 9 bar	s	85/75	75	85/75	75	96/82	82	96/82	82
Rozmery netto š x h x v	mm	485x350x553		580x440x655		544x350x553		649x440x655	
Hmotnosť netto (***)	kg	38		53		44		61	
Klasifikácia podľa STN EN 60 601-1		Trieda I.							

Poznámky:

(\*) Prevedenie kompresora uviesť pri objednávaní

(\*\*) Iný rozsah tlaku konzultovať s dodávateľom

(\*\*\*) Hodnota hmotnosti je informatívny údaj, platí len pre výrobok bez doplnkového vybavenia

**Závislosť výkonnosti kompresora od pracovného tlaku**


### 7.1. Korekcia FAD výkonnosti podľa nadmorskej výšky

Výkonnosť udávaná vo forme FAD („Free Air Delivery“) sa vzťahuje na podmienky:

Nadmorská výška	0 m.n.m.	Teplota	20°C
Atmosférický tlak	101325 Pa	Relatívna vlhkosť	0%

Pre prepočet FAD výkonnosti kompresora v závislosti od nadmorskej výšky je potrebné aplikovať korekčný faktor podľa nasledujúcej tabuľky:

Nadm. výška [m.n.m.]	0 -1500	1501 - 2500	2501 - 3500	3501 - 4500
Korekčný faktor FAD	1	0,8	0,71	0,60

### 7.2. Vyhlásenie k elektromagnetickej kompatibiliti

Prístroj vyžaduje špeciálnu obozretnosť týkajúcu sa elektromagnetickej kompatibility (EMC) a vyžaduje inštaláciu a uvedenie do prevádzky v súlade s EMC informáciami uvedenými nižšie.


<b>Smernice a vyhlásenie výrobcu – elektromagnetické vyžarovanie</b>		
Podľa IEC 60601-1-2:2014 - Zdravotnícke elektrické prístroje. Časť 1-2: Všeobecné požiadavky na základnú bezpečnosť a nevyhnutné prevádzkové vlastnosti. Prídružená norma: Elektromagnetické rušenia		
Prístroj je určený pre použitie v elektromagnetickom prostredí špecifikovanom nižšie. Zákazník alebo užívateľ by mali zaistiť, aby bol prístroj používaný v takom prostredí.		
<b>Test vyžarovania</b>	<b>Zhoda</b>	<b>Elektromagnetické prostredie - návod</b>
RF vyžarovanie CISPR 11	Skupina 1	Prístroj využíva RF energiu len pre svoje vnútorné funkcie. Preto sú RF emisie veľmi nízke a pravdepodobne nespôsobia rušenie okolitých elektronických zariadení.
RF vyžarovanie CISPR 11	Trieda B	Prístroj je vhodný pre použitie vo všetkých zariadeniach vrátane domácich prevádzok a zariadení priamo napojených na verejnú sieť nízkeho napätia, napájajúcu obytné budovy.
Harmonické vyžarovanie IEC 61000-3-2	Trieda A	
Kolísanie napätia / blikanie IEC 61000-3-3	Prístroj pravdepodobne nebude spôsobovať blikanie, pretože prúd po spustení je približne konštantný.	

<b>Smernice a vyhlásenie výrobcu - elektromagnetická odolnosť</b>			
Podľa IEC 60601-1-2:2014 - Zdravotnícke elektrické prístroje. Časť 1-2: Všeobecné požiadavky na základnú bezpečnosť a nevyhnutné prevádzkové vlastnosti. Prídružená norma: Elektromagnetické rušenia			
Prístroj je určený pre použitie v elektromagnetickom prostredí špecifikovanom nižšie. Zákazník alebo užívateľ by mali zaistiť, aby bol prístroj používaný v takom prostredí.			
<b>Test odolnosti</b>	<b>Úroveň testu IEC 60601-1-2</b>	<b>Úroveň zhody</b>	<b>Elektromagnetické prostredie - návod</b>
Elektrostatický výboj (ESD) podľa IEC 61000-4-2	±8 kV kontakt ±15 kV vzduch	±8 kV kontakt ±15 kV vzduch	Podlaha by mala byť drevená, betónová alebo keramická. Ak je podlaha pokrytá syntetickým materiálom, musí byť relatívna vlhkosť vzduchu aspoň 30 %.
Rýchle elektrické prechodné javy / skupiny impulzov IEC 61000-4-4	±2 kV pre elektrické rozvody ±1 kV pre vstupné / výstupné rozvody	±2 kV 100 kHz frekvencia opakovania Pripojené na sieť	Kvalita elektrického napájania by mala byť typická pre komerčné alebo nemocničné prostredie.
Rázový impulz IEC 61000-4-5	±1 kV rozdielový režim ±2 kV spoločný režim	±1 kV L-N ±2 kV L-PE; N-PE Pripojené na sieť	Kvalita elektrického napájania by mala byť typická pre komerčné alebo nemocničné prostredie.
Pokles napätia, krátke prerušenie a zmeny napätia na vstupných elektrických rozvodoch IEC 60601-4-11	$U_T=0\%$ , 0,5 cyklu (pri 0, 45, 90, 135, 180, 225, 270 a 315°) $U_T=0\%$ , 1 cyklus $U_T=70\%$ 25/30 cyklov (pri 0°) $U_T=0\%$ , 250/300 cyklov	$U_T>95\%$ , 0,5 cyklu (pri 0, 45, 90, 135, 180, 225, 270 a 315°) $U_T>95\%$ , 1 cyklus $U_T=70\%$ (30% pokles $U_T$ ), 25(50Hz)/30(60Hz) cyklov (pri 0°) $U_T>95\%$ , 250(50Hz)/300(60Hz) cyklov	Kvalita elektrického napájania by mala byť typická pre komerčné alebo nemocničné prostredie.  Prístroj sa automaticky zastaví a reštartuje pri každom poklese napätia. V tomto prípade nedochádza k neprijateľnému poklesu tlaku.
Magnetické pole sieťovej frekvencie (50/60 Hz) podľa IEC 61000-4-8	N/A	N/A	Prístroj neobsahuje komponenty citlivé na magnetické pole.
POZNÁMKA: $U_T$ je AC sieťové napájanie pred aplikáciou testovacej úrovne.			

**Smernice a vyhlásenie výrobcu - elektromagnetická odolnosť**

Podľa IEC 60601-1-2:2014 - Zdravotnícke elektrické prístroje. Časť 1-2: Všeobecné požiadavky na základnú bezpečnosť a nevyhnutné prevádzkové vlastnosti. Pridružená norma: Elektromagnetické rušenia

Prístroj je určený pre použitie v elektromagnetickom prostredí špecifikovanom nižšie. Zákazník alebo užívateľ by mali zaistiť, aby bol prístroj používaný v takom prostredí.

Test odolnosti	Úroveň testu IEC 60601-1-2	Úroveň zhody	Elektromagnetické prostredie - návod
Frekvencie šírené vedením IEC 61000-4-6	3 Vrms 150 kHz až 80MHz	3 Vrms	Prenosné a mobilné rádio-frekvenčné komunikačné zariadenia vrátane káblov by sa nemali používať vo vzdialenosti od prístroja menšej, než je odporúčaná vzdialenosť vypočítaná pomocou rovnice pre frekvenciu vysielača.  <b>Odporúčané ochranné vzdialenosti</b>  $d=1,2\sqrt{P}$  $d=1,2\sqrt{P}$ , 80 MHz až 800 MHz  $d=2,3\sqrt{P}$ , 800 MHz až 2,7 GHz
Frekvencie šírené vyžarovaním IEC 61000-4-3	3 V/m 80 MHz až 2,7 GHz	3 V/m	kde P je maximálny menovitý výkon vysielača vo wattoch (W) podľa údajov výrobcu vysielača a d je odporúčaná ochranná vzdialenosť v metroch (m).
Blízke polia od RF bezdrôtových komunikačných prístrojov IEC 61000-4-3	9 až 28 V/m 15 určených frekvencií (380 až 5800 MHz)	9 až 28 V/m 15 určených frekvencií (380 až 5800 MHz)	Intenzita poľa od pevných rádio-frekvenčných vysielačov, ako bola určená prieskumom polohy lokality <sup>a</sup> , by mala byť nižšia ako úroveň zhody pre každý frekvenčný rozsah <sup>b</sup> . K rušeniu môže prísť v blízkosti zariadení označených nasledujúcim symbolom:  

POZNÁMKA 1 Pri 80 MHz a 800 MHz platí vyšší frekvenčný rozsah.

POZNÁMKA 2 Tieto smernice nemusia platiť za všetkých okolností. Šírenie elektromagnetického vlnenia ovplyvňuje schopnosť absorpcie a odrazivosti budov, objektov a osôb.

<sup>a</sup> Intenzitu poľa pevných vysielačov, ako sú napríklad vykrývače mobilných telefónov a pozemné mobilné rádiostanice, amatérske rádiostanice, rozhlasové vysielače v pásmach AM a FM a televízne vysielače, nie je možné presne teoreticky predpovedať. Pre posúdenie elektromagnetického prostredia z hľadiska pevných vysielačov by mal byť zvážený prieskum lokality. Ak nameraná intenzita poľa na mieste, na ktorom je prístroj používaný, prekročí vyššie uvedenú úroveň zhody, je potrebné prístroj pozorovať, aby bolo možné overiť jeho riadne fungovanie. Neobvyklé správanie si môže vyžadovať dodatočné opatrenia, napr. iné nasmerovanie alebo premiestnenie prístroja.

<sup>b</sup> Nad frekvenčným rozsahom 150 kHz až 80 MHz by intenzita poľa mala byť nižšia než 3 V/m.

## 8. POPIS VÝROBKU

### 8.1. Prevedenia

Kompresor sa vyrába podľa účelu v nasledovných prevedeniach:

<b>DK50-10 Z</b>	kompresor na základni na samostatné umiestnenie v miestnosti
<b>DK50-10 Z/M</b>	kompresor na základni so sušičom vzduchu
<b>DK50-10 S</b>	kompresor v skrinke s účinným tlmením hluku na umiestnenie v ordinácii
<b>DK50-10 S/M</b>	kompresor s membránovým sušičom vzduchu v skrinke



**DK50-10 Z**



**DK50-10 Z/M**



**DK50-10 S**  
**DK50-10 S/M**

### 8.2. Doplnkové vybavenie

Doplnkové vybavenie nie je predmetom základnej dodávky, treba ho objednať osobitne.

#### 8.2.1. Automatický odvod kondenzátu

Automatický odvod kondenzátu (AOK) zabezpečuje automatické vypúšťanie skondenzovanej kvapaliny v nastavenom časovom intervale zo vzdušníka kompresora. AOK je výhodné doplniť ku kompresoru bez sušiča.

Typ	Použitie	Artiklové číslo
AOK 10	DK50-10Z	447000001-046

#### 8.2.2. Sada filtrov výstupného stlačeného vzduchu

Kompresor môže byť vybavený sadou filtrov podľa požiadavky. Filtračná sada môže byť doplnená o regulátor tlaku vzduchu.



**V prípade požiadavky na iný stupeň filtrácie vzduchu je treba túto požiadavku dohodnúť s dodávateľom a špecifikovať v objednávke.**

Typ	Použitie	Stupeň filtrácie / $\mu\text{m}$ /	Artiklové číslo
FS 20F		1	604014119-003
FS 20M	DK50-10Z	1+0,1	604014119-009
FS 20S	DK50-10Z/M	1+0,01	604014119-012
FS 20A		1+0,01+A**	604014119-013

\*\* ) A – submikrofilter s aktívnym uhlím

### 8.2.3. Sada regulátora k filtračným sadám

Kompresor môže byť vybavený sadou regulátora tlaku výstupného stlačeného vzduchu podľa požiadavky. Regulátor je potrebné si vybrať podľa použitia k filtračnej sade, alebo samostatne. Regulátor zabezpečí konštantný tlak na výstupe z kompresora.

Typ	Použitie	Artiklové číslo
Regulátor komplet (k filtračnej sade)	DK50-10Z, DK50-10Z/M	604014142-000
REG10 (samostatný)		447000001-042

### 8.2.4. Držiaky k filtračným sadám



Ku každej sade je potrebné doobjednať vhodný držiak.

Typ	Použitie	Artiklové číslo
Držiak na kompresor	DK50-10Z, DK50-10Z/M	603002108-000
Držiak na stenu		604014186-000

### 8.2.5. Kondenzačná a filtračná jednotka

Kompresor môže byť dodatočne vybavený aj kondenzačnou a filtračnou jednotkou (KJF-1 alebo KJFR-1). KJF-1 alebo KJFR-1 zabezpečí, že stlačený vzduch zo vzdušníka je ochladený v chladiči a vo filtri zachytí skondenovanú kvapalinu, ktorú automaticky odlúči mimo pneumatického rozvodu. Stlačený vzduch je súčasne filtrovaný.

Typ	Použitie	Stupeň filtrácie / $\mu$ m/	Regulátor tlaku	Artiklové číslo
KJF-1	DK50-10Z	5	nie	450001011-001
KJFR-1	DK50-10Z/M		áno	450001011-002

## 9. FUNKCIA VÝROBKU

### Kompresor (Obr. 1)

Agregát kompresora (1) nasáva atmosférický vzduch cez vstupný filter (8) a stláča ho cez spätný ventil (3) do vzdušníka (2) a spotrebič odoberá stlačený vzduch zo vzdušníka. Ak klesne tlak vo vzdušníku na zapínací tlak, tlakový spínač (4) zapne kompresor a kompresor stláča vzduch do vzdušníka až po vypínací tlak, kedy sa vypne kompresor. Po vypnutí kompresorového agregátu sa odvzdušní tlaková hadica cez odľahčovací solenoidový ventil (13). Poistný ventil (5) zamedzuje prekročeniu tlaku vo vzdušníku nad maximálnu povolenú hodnotu. Vypúšťacím ventilom (7) sa vypúšťa kondenzát zo vzdušníka. Stlačený a čistý vzduch bez sŕp oleja je vo vzdušníku pripravený na ďalšie použitie.

Zo vzdušníka je potrebné v predpísaných intervaloch vypúšťať skondenovanú kvapalinu (pozri kap. 19.1).

### Kompresor s membránovým sušičom (Obr. 2)

Agregát kompresora (1) nasáva atmosférický vzduch cez vstupný filter (8) a stlačený ho dodáva chladičom (14) cez filter (15), spätný ventil (3) do sušiča (9), vysušený a čistý do vzdušníka (2). Časť vzduchu odchádza mimo sušiča spolu so zachytenou vlhkosťou, čo sa prejaví ako jemné prúdenie vzduchu popri telese sušiča (9). Kondenzát z filtra je automaticky v intervaloch vypúšťaný do fľaše pomocou solenoidového ventilu odvodu kondenzátu (16). Sušič zabezpečí kontinuálne sušenie stlačeného vzduchu. Vypúšťacím ventilom (7) sa vypúšťa kondenzát zo vzdušníka v prípade kontroly sušenia. Stlačený, suchý a čistý vzduch bez sŕp oleja je vo vzdušníku pripravený na ďalšie použitie.

Pre optimálnu prevádzku membránového sušiča je sušič spojený so vzdušníkom priamo, bez spätného ventilu. Keďže membránový sušič obsahuje vlákna so selektívnou membránou, dochádza cez ne k malému úniku vzduchu (približne 0,5 bar/30min)

Preto postupný pomalý pokles tlaku je prítomný aj v stave bez odberu vzduchu z kompresora (zo vzdušníka) a nepredstavuje poruchu.

Tlakovú nádobu nie je potrebné odkalovať.

### Skrinka kompresora

Skrinka zabezpečuje kompaktné prekrytie kompresora, čím účinne tlmí hluk, pričom zabezpečuje dostatočnú výmenu chladiaceho vzduchu. Svojím dizajnom je vhodná na umiestnenie v ordinácii ako súčasť nábytku. Ventilátor pod agregátom kompresora zabezpečuje chladenie kompresora, je v činnosti súčasne s motorom kompresora alebo po zapnutí teplotného spínača pri teplote vyššej ako 40 °C. Po vychladení priestoru v skrinke pod cca 32 °C sa ventilátor automaticky vypne.



**Je zakázané vytvárať prekážky na vstupe chladiaceho vzduchu do skrinky (po obvode spodnej časti skrinky) a na výstupe teplého vzduchu v hornej zadnej časti skrinky.**

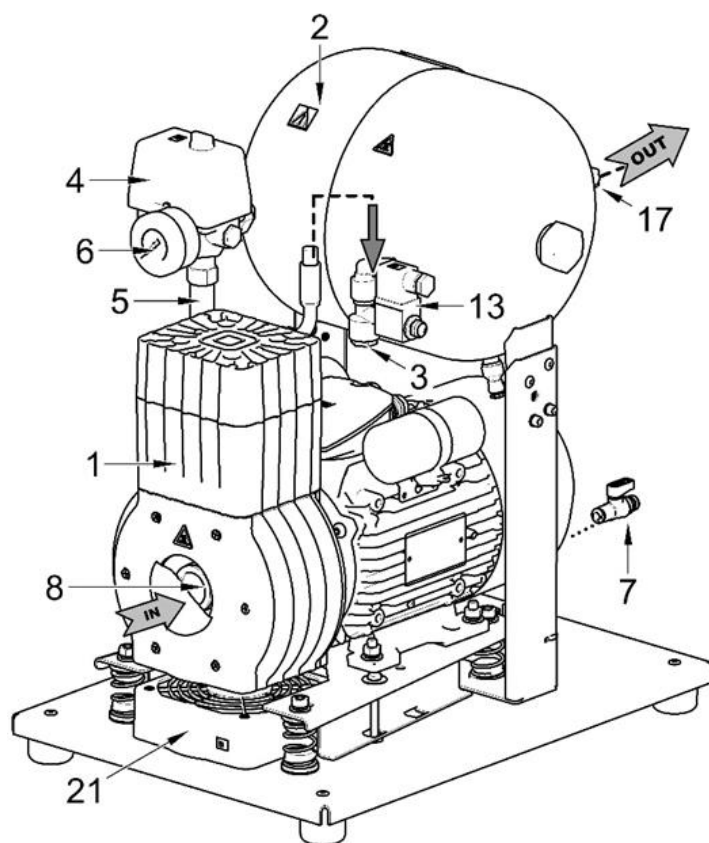


**V prípade umiestnenia kompresora na mäkkú podlahu, napr. koberec, je nutné vytvoriť medzeru medzi základňou a podlahou alebo skrinkou a podlahou, napr. podloženie pätiiek tvrdými podložkami z dôvodu zabezpečenia dostatočného chladenia kompresora.**

Na kompresore v prevedení 8-10bar je osadené počítadlo hodín (Obr. 3).

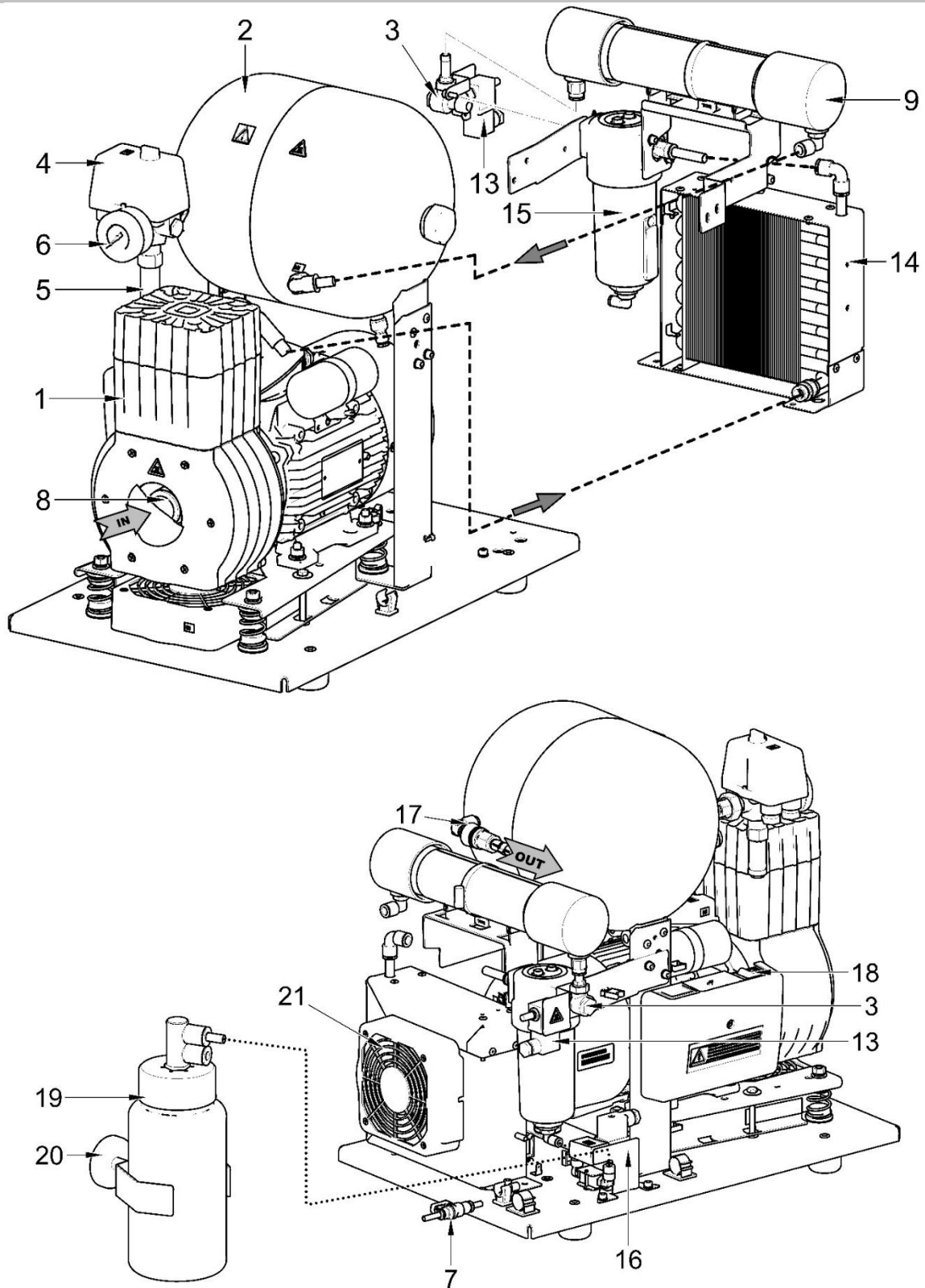
Obr. 1: DK50-10Z - Kompresor

Popis k obrázkom 1 - 3

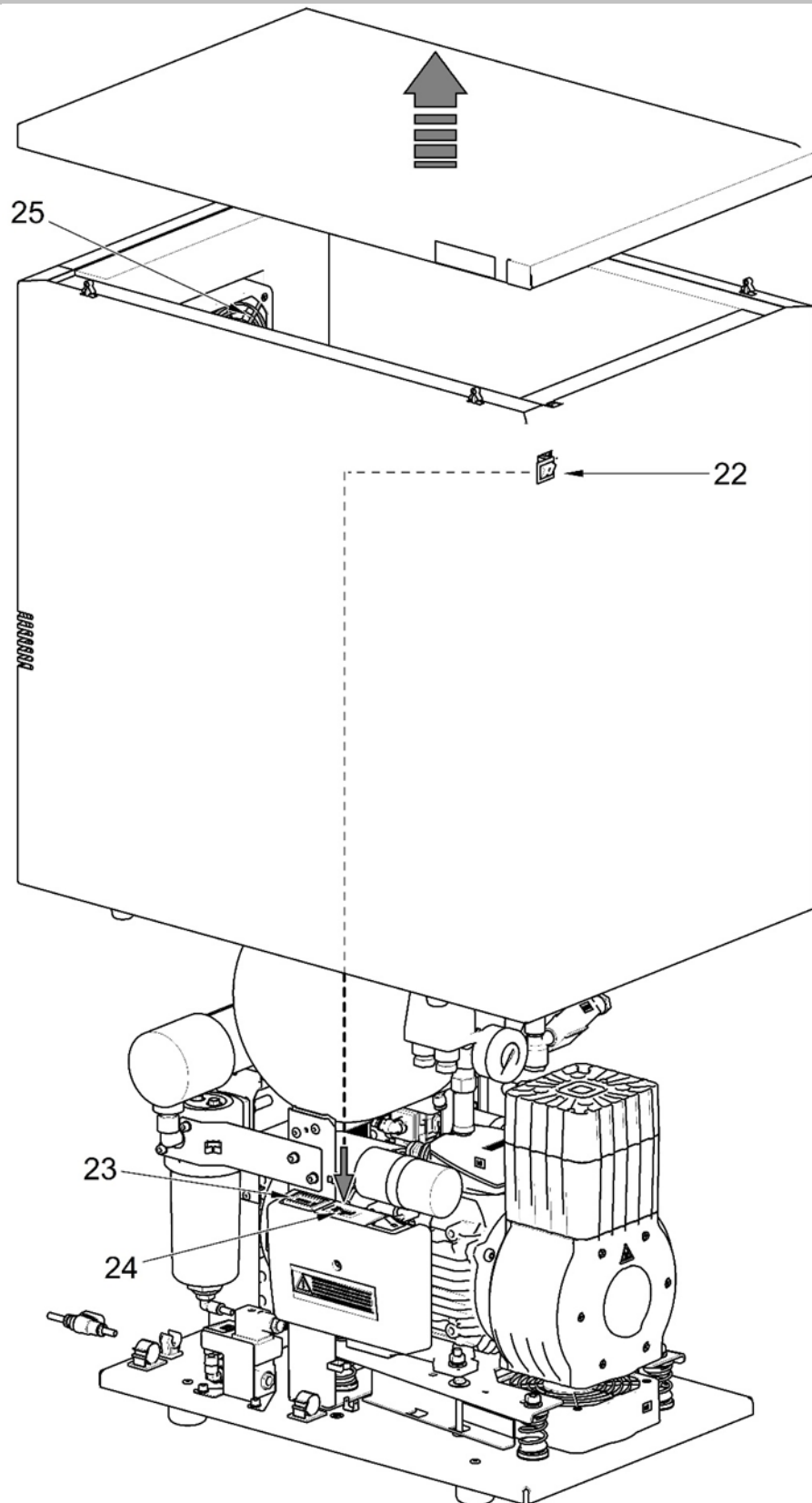


- 1 Agregát kompresora
- 2 Vzdušník
- 3 Spätný ventil
- 4 Tlakový spínač
- 5 Poistný ventil
- 6 Tlakomer
- 7 Vypúšťací ventil
- 8 Vstupný filter
- 9 Sušič
- 10 -
- 11 -
- 12 -
- 13 Solenoidný ventil
- 14 Chladič sušiča
- 15 Filter
- 16 Solenoidný ventil odvodu kondenzátu
- 17 Výstup vzduchu
- 18 Istiaci vypínač
- 19 Nádoza na zber kondenzátu
- 20 Magnetický držiak
- 21 Ventilátor
- 22 Vypínač
- 23 Počítadlo hodín
- 24 Zásuvka
- 25 Ventilátor skrinky

Obr. 2: DK50-10Z/M - Kompresor so sušičom

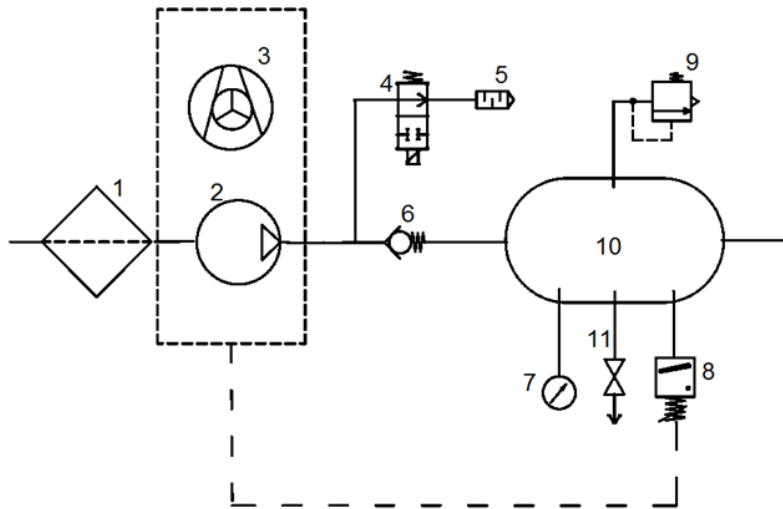


Obr. 3: Kompresor DK50-10S/M (8-10bar)

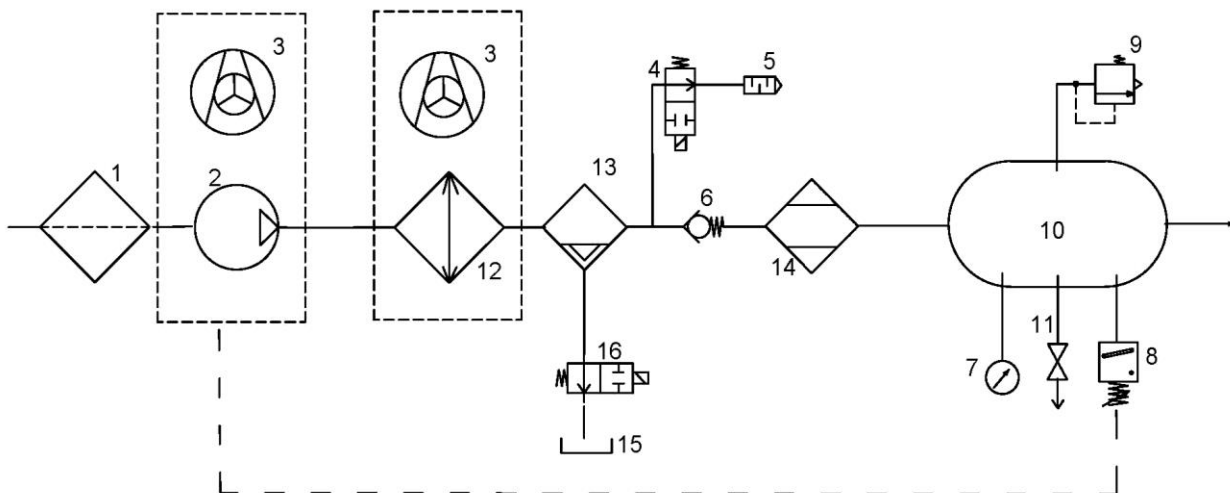


## 10. PNEUMATICKÁ SCHÉMA

## DK50-10Z, DK50-10S



## DK50-10Z/M, DK50-10S/M



## Popis k pneumatickým schémam

- |   |                    |    |                                      |
|---|--------------------|----|--------------------------------------|
| 1 | Vstupný filter     | 9  | Poistný ventil                       |
| 2 | Kompresor          | 10 | Vzdušník                             |
| 3 | Ventilátor         | 11 | Vypúšťací ventil                     |
| 4 | Odľahčovací ventil | 12 | Chladič                              |
| 5 | Tlmič hluku        | 13 | Koalescenčný filter                  |
| 6 | Spätný ventil      | 14 | Membránový sušič                     |
| 7 | Tlakomer           | 15 | Nádoba na zber kondenzátu            |
| 8 | Tlakový spínač     | 16 | Solenoidový ventil odvodu kondenzátu |

## INŠTALÁCIA

### 11. PODMIENKY POUŽITIA

- Kompresor sa smie inštalovať a prevádzkovať len v suchých, dobre vetraných a bezprašných priestoroch, kde parametre prostredia zodpovedajú požiadavkám uvedeným v kap. 7. - Technické údaje. Kompresor sa musí inštalovať tak, aby bol ľahko prístupný pre obsluhu a údržbu a aby bol prístupný výrobný štítok.
- Kompresor musí stáť na rovnom dostatočne stabilnom podklade (pozor na hmotnosť kompresora, pozri kap. 7. - Technické údaje).
- Kompresory nemôžu byť prevádzkované vo vonkajšom prostredí, ani vo vlhkom alebo mokrom prostredí. Zariadenie je zakázané používať v priestoroch s prítomnosťou výbušných plynov, prachov alebo horľavých kvapalín.
- Pred zabudovaním kompresora do zdravotníckych zariadení musí dodávateľ posúdiť, či médium – vzduch, dané k dispozícii, vyhovuje požiadavkám daného účelu použitia. Rešpektujte s týmto zreteľom technické údaje výrobku. Klasifikáciu a hodnotenie zhody má pri zabudovaní vykonávať výrobca - dodávateľ konečného výrobku.
- Iné použitie alebo použitie nad tento rámec sa nepovažuje za používanie podľa účelu určenia. Výrobca neručí za škody z toho vyplývajúce. Riziko znáša výlučne prevádzkovateľ / používateľ.



**Kompresor musí inštalovať a po prvýkrát uviesť do prevádzky len kvalifikovaný odborník. Jeho povinnosťou je zaškoliť obsluhujúci personál o používaní a údržbe zariadenia. Inštaláciu a zaškolenie obsluhy potvrdí zápisom v dokumente o inštalovaní zariadenia.**



**Pred prvým uvedením do prevádzky sa musia odstrániť všetky prvky slúžiace na fixáciu zariadenia počas dopravy – inak hrozí poškodenie výrobku.**



**Pri činnosti kompresora sa časti agregátu môžu zohriať na teploty nebezpečné pre dotyk obsluhy alebo materiálu. Nebezpečenstvo popálenia alebo požiaru! Pozor horúci povrch!**



**Pri prvom uvedení do prevádzky môžete dočasne (na krátky čas) cítiť charakteristický pach nového výrobku. Tento pach je len krátkodobý a nebráni riadnemu používaniu výrobku. Po inštalácii zabezpečte vetranie miestnosti.**

### Podmienky okolia pri prevádzke

*Teplota :* +5°C až +40°C,  
*Relatívna vlhkosť max.:* 70%,  
*Absolútna vlhkosť max.* 15 g/m<sup>3</sup>.

## 12. USTAVENIE KOMPRESORA



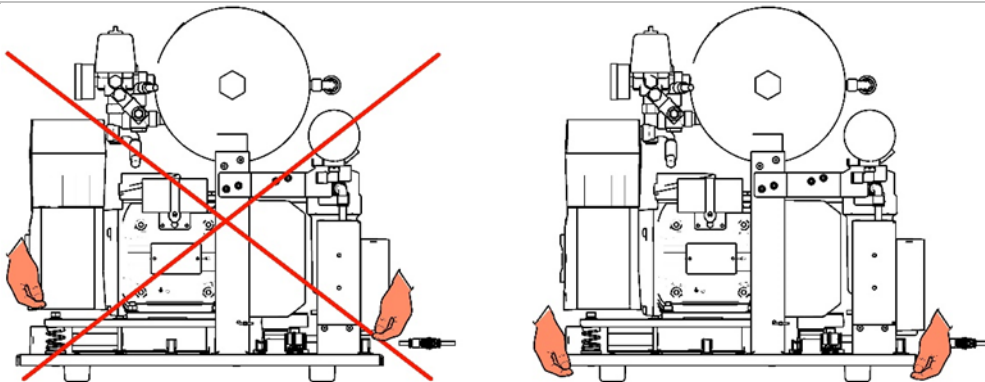
Výrobok musí inštalovať len vyškolený kvalifikovaný odborník.

- Vybrať kompresor z obalu.

### 12.1. Manipulácia a odfixovanie

- Uložiť kompresor na miesto prevádzky. (Obr. 4)

Obr. 4

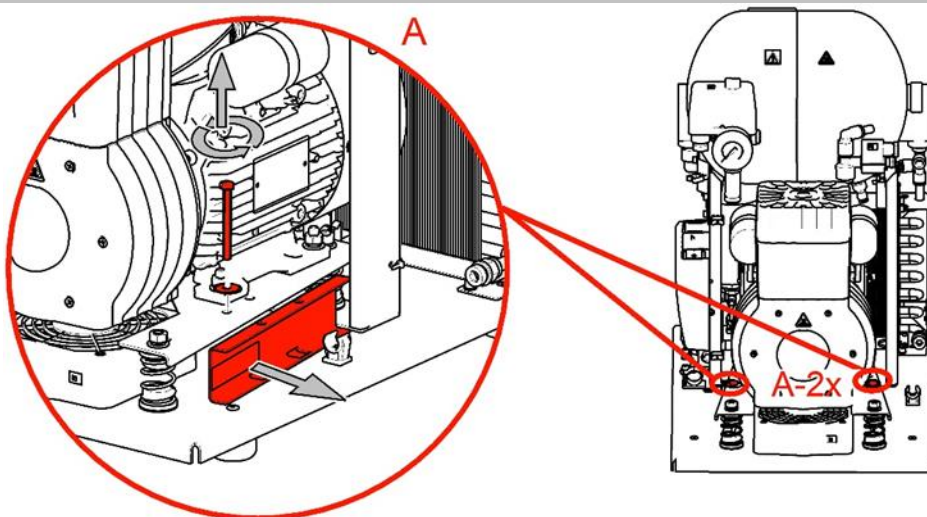


- Odstrániť transportné zaistenie agregátov. (Obr. 5)



Odstrániť fixačné prvky agregátov až po ustavení a vyvážení kompresora na mieste konečného uloženia !

Obr. 5



## 13. PNEUMATICKÉ PRIPOJENIE

### 13.1. Pripojenie k výstupu stlačeného vzduchu (Obr.6)

Na výstup stlačeného vzduchu (2) kompresora pripojiť tlakovú hadicu zakončenú vsuvkou rýchlospojky (1) a hadicu viesť k pneumatickému rozvodu alebo priamo k spotrebiču – stomatologickej súprave.



Obr. 6

Pri kompresore v skrinke vyviesť tlakovú hadicu cez otvor v zadnej stene skrinke. (Obr. 7)

### 13.2. Pripojenie nádoby na kondenzát (Obr. 7)

- Pri kompresore so sušičom pripojiť hadičku na odvod kondenzátu k nádobe na zber kondenzátu.
- Pri kompresore so sušičom v skrinke vyviesť hadičku (1) cez otvor v zadnej stene skrinke a pripojiť k nádobe.



Obr. 7

## 14. ELEKTRICKÉ ZAPOJENIE

Výrobok sa dodáva so šnúrou zakončenou vidlicou s ochranným kontaktom.



**Je nevyhnutne potrebné rešpektovať miestne elektrotechnické predpisy. Napätie siete a kmitočet musia súhlasiť s údajmi na prístrojovom štítku.**

- Zásuvka musí byť z bezpečnostných dôvodov dobre prístupná, aby sa výrobok v prípade nebezpečenstva mohol bezpečne odpojiť zo siete.
- Príslušný prúdový okruh musí byť v rozvode elektrickej energie istený maximálne 16 A.



**Skrinka kompresora DK50-10 S/M prevedenie 10bar, je osadená chladiacim ventilátorom a vypínačom. Skrinku je potrebné pripojiť pomocou šnúry s konektorom ku konektoru na elektropaneli kompresora. (Obr. 3)**



**Elektrický kábel sa nesmie dotýkať horúcich častí kompresora. Riziko úrazu elektrickým prúdom!**



**Elektrická šnúra na pripojenie na elektrickú sieť a vzduchové hadice nesmú byť zlomené.**

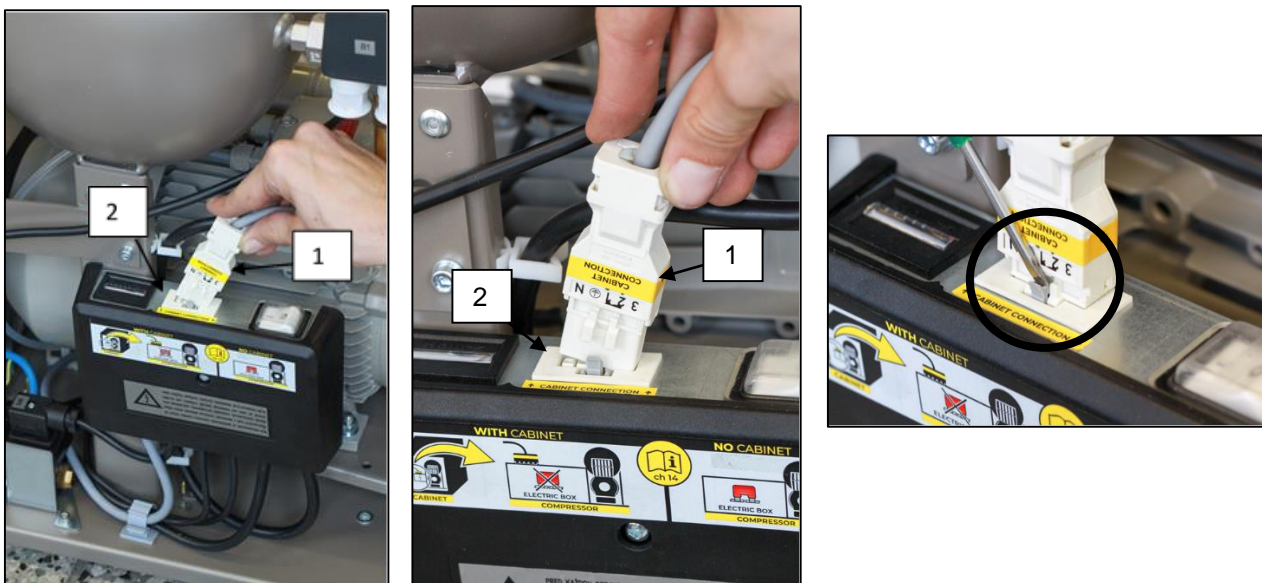
#### 14.1. Zapojenie kompresora bez skrinky

- Vidlicu sieťovej šnúry zapojiť do sieťovej zásuvky.
- Kompresor je pripravený k prevádzke.

#### 14.2. Zapojenie kompresora v skrinke

- Pri kompresore v skrinke vyviesť sieťovú šnúru cez otvor zadnej stene skrinky.
- Skrinku DK50-10S/M 8-10bar elektricky pripojiť ku kompresoru pomocou šnúry s konektorom (1) do zásuvky (2). (Obr. )
- Skrinku elektricky odpojiť od kompresora vytiahnutím konektora (1) zo zásuvky pri uvoľnenej západke.

Obr. 8

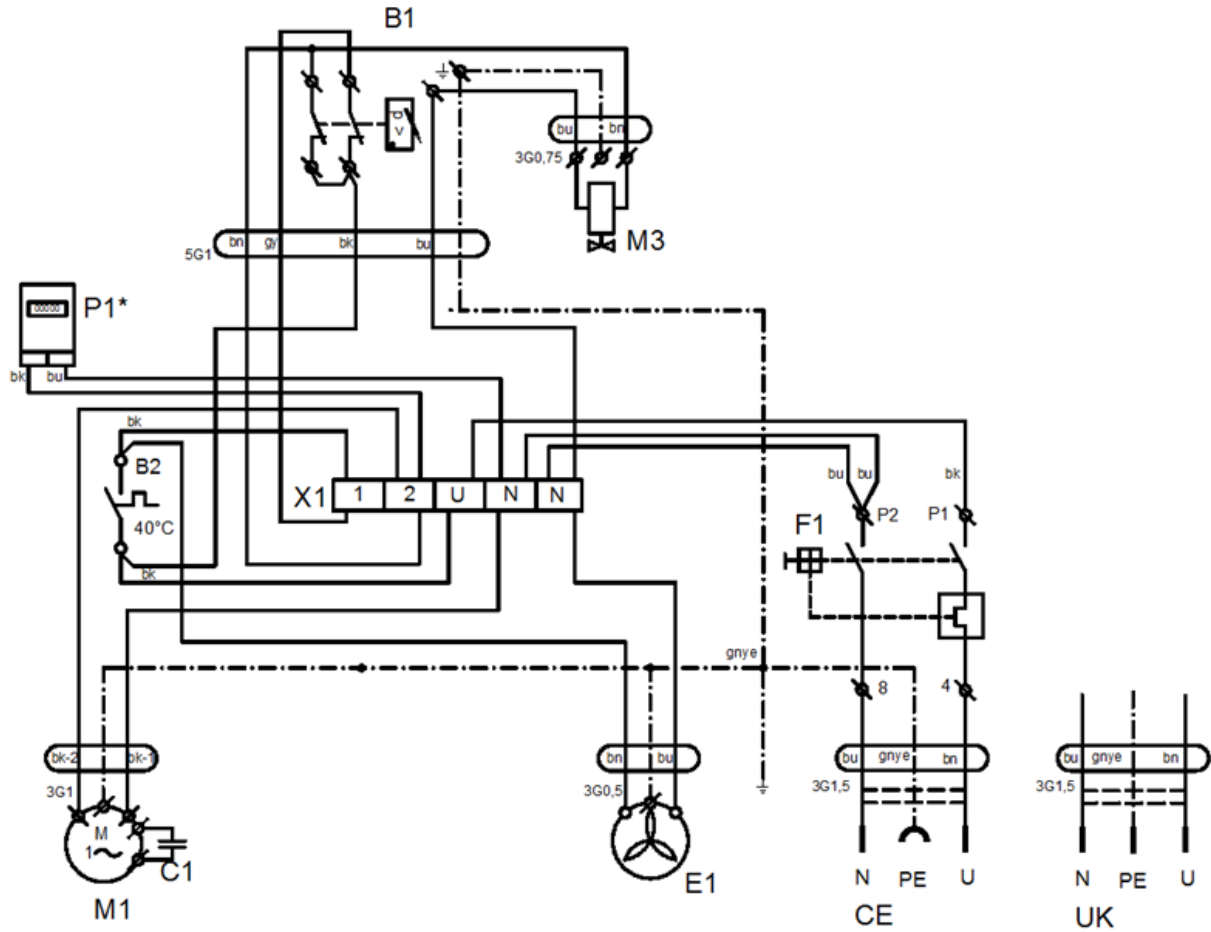


**15. SCHÉMA ZAPOJENIA**
**DK50-10Z, DK50-10S**
**5 - 7 bar, 6 - 8 bar, 8 - 10 bar**

1/N/PE 230 V, 50/60 Hz

115 V, 60 Hz

ELEKTRICKÝ PREDMET TR.1



P1\*Počítadlo hodín montované len pre prevedenie 8-10bar

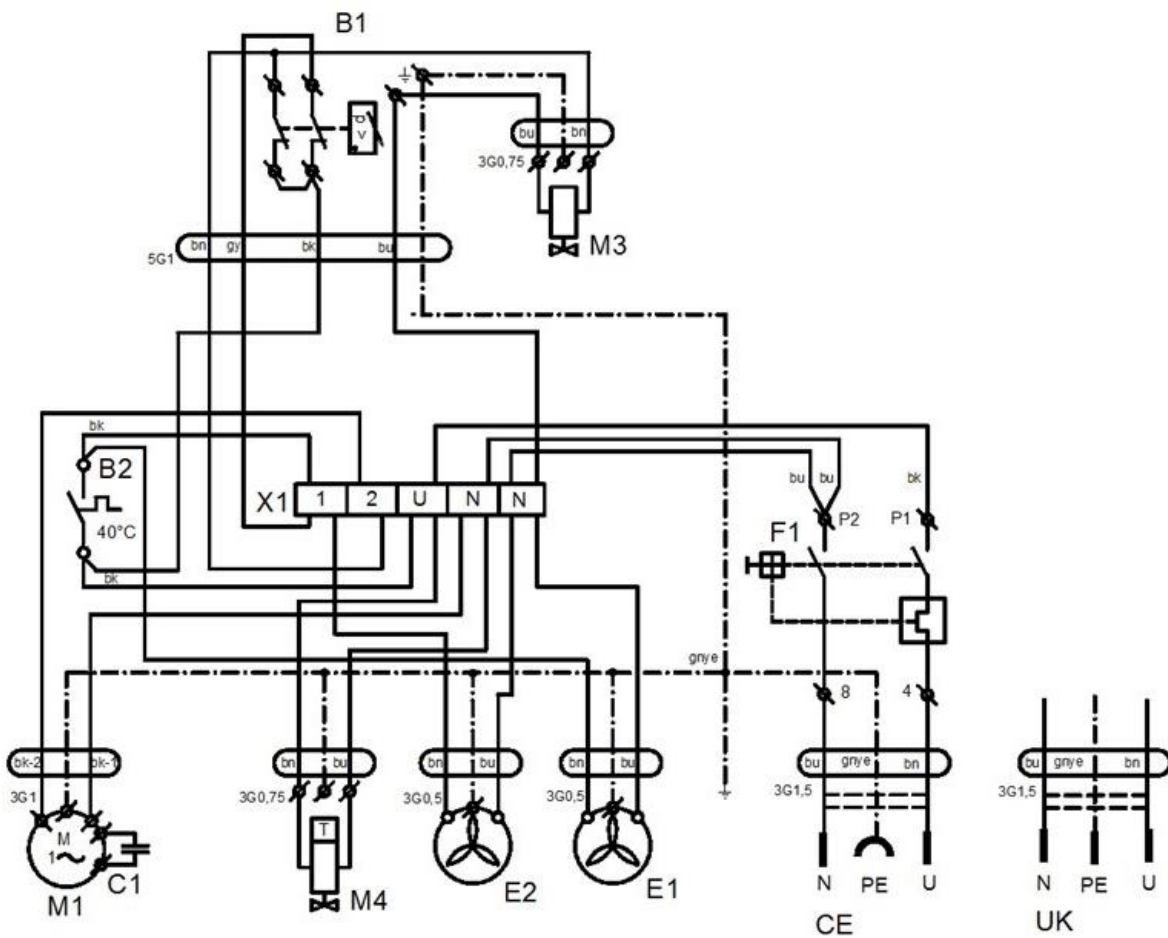
**DK50-10Z/M, DK50-10S/M**

**5 - 7 bar, 6 - 8 bar**

1/N/PE 230V, 50/60Hz

115V, 60Hz

ELEKTRICKÝ PREDMET TR.1



# DK50-10

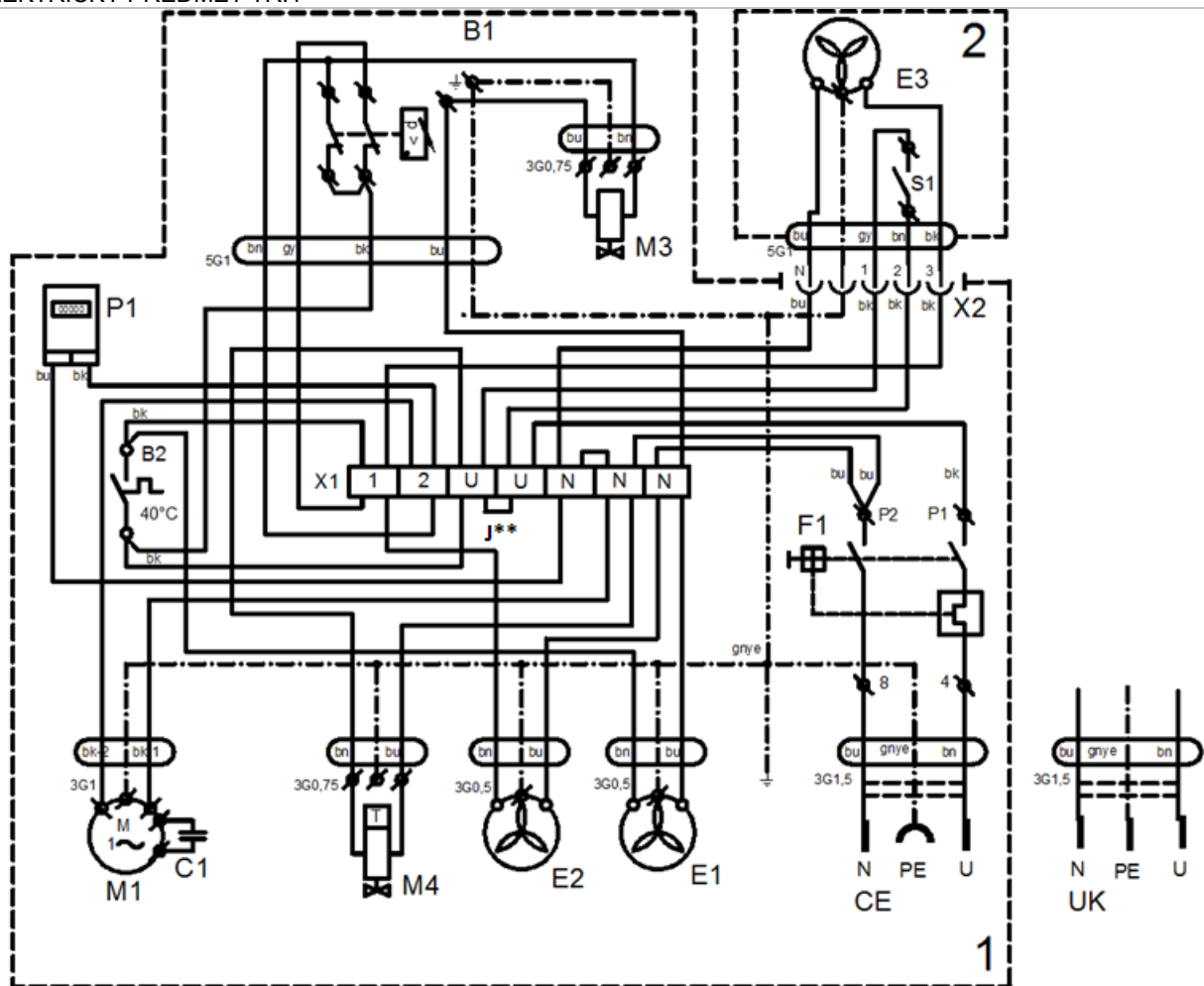
**DK50-10Z/M, DK50-10S/M**

**8 - 10 bar**

1/N1PE 230 V, 50/60 Hz

115 V, 60 Hz

ELEKTRICKÝ PREDMET TR.1



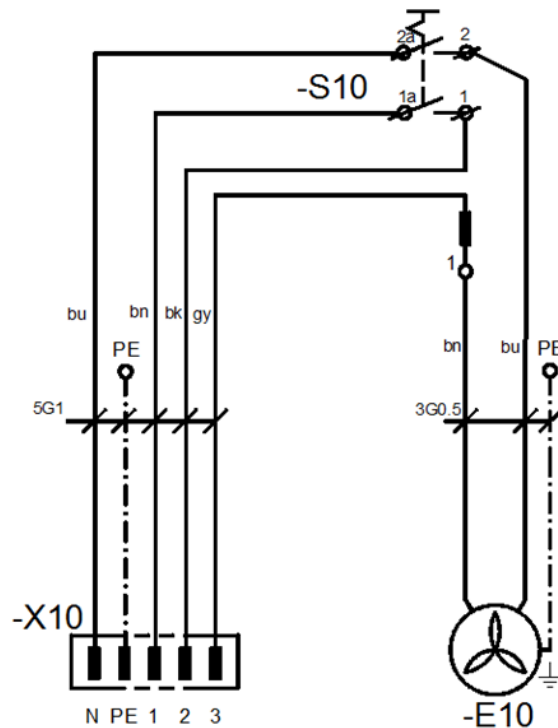
J\*\* - Mostík zapojiť iba pri kompresore bez skrinky 1 Kompresor  
(Kap. 19.10) 2 Skrinka

P1\*Počítadlo hodín montované len pre prevedenie 8-10bar

**Skrinka kompresora DK50-10S/M**
**8 – 10 bar**

1/N/PE 230 V, 50/60 Hz

ELEKTRICKÝ PREDMET TR.1


**Popis k elektrickým schémam**

M1	Motor kompresora	C1	Kondenzátor
E1	Ventilátor kompresora	B1	Tlakový spínač
E2	Ventilátor sušiča	X1	Svorkovnica
M3	Odľahčovací ventil	F1	Istiaci vypínač
B2	Teplotný spínač	M4	Ventil odvodu kondenzátu
E3,E10	Ventilátor skrinky	P1	Počítadlo hodín
X10,X2	Konektor	S10	Vypínač

**OBSLUHA**

**ZARIADENIE SMIE OBSLUHOVAŤ LEN VYŠKOLENÝ PERSONÁL !**



**PRI NEBEZPEČENSTVE ODPOJIŤ KOMPRESOR OD SIETE (VYTIAHNUŤ SIEŤOVÚ ZÁSTRČKU).**



**AGREGÁT KOMPRESORA MÁ HORÚCE POVRCHOVÉ PLOCHY. PRI DOTYKU EXISTUJE NEBEZPEČENSTVO POPÁLENIA.**



**Pri dlhšom chode kompresora sa zvýši teplota v okolí kompresora nad 40 °C a vtedy sa automaticky zopne chladiaci ventilátor. Po vychladení priestoru pod cca 32 °C sa ventilátor opäť vypne**



**Automatické spustenie. Keď tlak v tlakovej nádrži poklesne na zapínací tlak kompresor sa automaticky zapne. Kompresor sa automaticky vypne, keď tlak vo vzdušníku dosiahne hodnotu vypínacieho tlaku.**



**Je zakázané meniť pracovné tlaky tlakového spínača nastaveného u výrobcu. Činnosť kompresora pri nižšom pracovnom tlaku ako je zapínací tlak svedčí o vysokej spotrebe vzduchu (pozri kap. Poruchy).**



**Požadovaný stupeň sušenia je možné dosiahnuť len pri dodržaní predpísaných prevádzkových podmienok!**



**Pri prevádzke sušiča pri tlaku nižšom ako je minimálny pracovný tlak sa zníži účinnosť sušenia a zhorší sa dosahovaný rosný bod!**



**PRI PREVÁDZKE SUŠIČA PRI TEPLOTE OKOLIA VYŠŠEJ AKO JE MAXIMÁLNA PREVÁDZKOVÁ TEPLOTA MÔŽE DÔJSŤ K POŠKODENIU SUŠIČA!**

**16. PRVÉ UVEDENIE DO PREVÁDZKY**

- Skontrolovať, či boli odstránené všetky fixačné prvky použité počas prepravy.
- Skontrolovať správne pripojenie vedení stlačeného vzduchu.
- Skontrolovať riadne pripojenie na elektrickú sieť.
- Skontrolovať polohu istiaceho vypínača, musí byť v polohe „I“. V prípade, že sa nachádza v polohe „0“, zapnúť vypínač (4) do polohy „I“. (Obr. 9)
- Skontrolovať, či skrinka kompresora DK50-10 S/M (len 8-10bar) je prepojená s kompresorom pomocou kábla s konektorom. (Obr. 8)
- Pri kompresore DK50-10 S/M (8-10bar) zapnúť aj vypínač (5) na prednej strane skrinky do polohy „I“, zelená kontrolka signalizuje stav zariadenia v prevádzke. (Obr. 9)



**Kompresor neobsahuje záložný zdroj energie.**

## 17. ZAPNUTIE KOMPRESORA

(Obr. 9)

Kompresor (bez skrinky) zapnúť na tlakovom spínači (1) otočením prepínača (2) do polohy „I“. Kompresor začne pracovať, naplní vzdušník na vypínací tlak a tlakový spínač vypne kompresor.

Kompresor v skrinke DK50-10S/M 8-10bar zapnúť vypínačom (5) na prednej strane skrinky, kontrolka sa rozsvieti na zeleno. Kompresor začne pracovať, naplní vzdušník na vypínací tlak a tlakový spínač vypne kompresor.

Ďalej už kompresor pracuje v automatickom režime, podľa spotreby stlačeného vzduchu sa kompresor zapína a vypína.

Hodnoty zapínacieho a vypínacieho tlaku skontrolovať na tlakomere (3). Hodnoty môžu byť v tolerancii  $\pm 10\%$ . Tlak vzduchu vo vzdušníku nesmie prekročiť povolený prevádzkový tlak.

Obr. 9



DK50-10S/M 8-10bar



**Pri kompresore nie je dovolené svojvoľne meniť tlakové medze tlakového spínača. Tlakový spínač (1) bol nastavený u výrobcu a ďalšie nastavenie zapínacieho a vypínacieho tlaku môže vykonať iba kvalifikovaný odborník vyškolený výrobcou.**

**Kompresor** – kompresor pri prvom zapnutí a uvedení do činnosti sa naplní vzdušník na vypínací tlak a tlakový spínač vypne kompresor. Ďalej kompresor pracuje už v automatickom režime, podľa spotreby stlačeného vzduchu sa kompresor zapína a vypína.

**Kompresor so sušičom** – kompresor pracuje rovnako ako v predchádzajúcom prípade avšak počas činnosti kompresora stlačený vzduch prechádza sušičom, ktorý odoberá vlhkosť zo stlačeného vzduchu.

## 18. VYPNUTIE KOMPRESORA

(Obr. 9)

Vypnutie kompresora kvôli vykonaniu servisu alebo z iného dôvodu sa vykoná na tlakovom spínači (1) otočením prepínača (2) do polohy „0“ a **vytiahnutím sieťovej vidlice zo zásuvky**. Kompresor je tým odpojený od napájacej siete. Znížiť tlak vo vzdušníku na nulu otvorením vypúšťacieho ventilu. (Obr. 10)

## ÚDRŽBA

### 19. ÚDRŽBA VÝROBKU

#### Upozornenie!

Prevádzkovateľ je povinný zabezpečiť vykonávanie opakovaných skúšok zariadenia minimálne 1x za 24 mesiacov (EN 62353) alebo v intervaloch, ktoré určujú príslušné národné právne predpisy. O výsledkoch skúšok musí byť vykonaný záznam (napr.: podľa EN 62353, Príloha G) spolu s metódami merania.

Zariadenie je konštruované a vyrobené tak, aby jeho údržba bola minimálna. Pre riadnu a spoľahlivú činnosť kompresora je však potrebné vykonávať práce podľa nasledujúceho popisu.



Pred začatím prác týkajúcich sa údržby kompresora je nutné skontrolovať, či je možné odpojiť kompresor od spotrebiča, aby tým nevzniklo riziko poškodenia zdravia alebo ohrozenia života osoby používajúcej daný spotrebič, prípadne iné materiálne škody!



Počas činnosti kompresora, alebo tesne po jej ukončení majú časti agregátu (hlava, valec, tlaková hadica ) vysokú teplotu – nedotýkať sa uvedených častí!



Opravné práce, ktoré presahujú rámec bežnej údržby, smie vykonávať iba kvalifikovaný odborník alebo zákaznícky servis výrobcu. Používajte iba náhradné diely a príslušenstvo predpísané výrobcom.



**PRED VYPÚŠŤANÍM STLAČENÉHO VZDUCHU Z PNEUMATICKÉHO ROZVODU (VZDUŠNÍKA) SI TREBA CHRÁNIŤ ZRAK, POUŽIŤ OCHRANNÉ OKULIARE.**

Kompresor prevedenie 8-10bar, je osadený počítadlom hodín (Obr. 3).

Nižšie uvedené práce môže vykonať len zaškolený pracovník nasledovným spôsobom:



**PRED ZAČATÍM VYKONÁVANIA NASLEDUJÚCICH PRÁČ NA ÚDRŽBE JE NUTNÉ VYPNÚŤ KOMPRESOR, ODPOJIŤ HO ZO SIETE (VYTIAHNUŤ SIETOVÚ ZÁSTRČKU) A VYPUSTIŤ STLAČENÝ VZDUCH ZO VZDUŠNÍKA.**



Pred údržbou, servisom výrobku alebo pripájaním / odpájaním prívodu stlačeného vzduchu nechať zariadenie vychladnúť!"



Uzemňovací vodič odpojený počas servisného zásahu je potrebné po ukončení prác opätovne pripojiť na pôvodné miesto.

Pri servise alebo údržbe je možné vysunúť kompresor zo skrinky jeho vytiahnutím pred skrinku (na kolieskach ako dovoľí dĺžka šnúry medzi kompresorom a skrinkou). Pozri tiež kap. 19.). Po jeho vytiahnutí je možné vykonať potrebnú údržbu alebo servis.

V prípade odpojenia šnúry medzi kompresorom a skrinkou (vytiahnutím vidlice konektora, kap.14.2.), kompresor nie je funkčný. Aby kompresor bol funkčný, treba postupovať podľa kap. 14.2 alebo 19.10. alebo 19.11.

**19.1. Intervaly údržby**

Časový interval <sup>c)</sup>	50 Hz		60 Hz		1x za deň	1x za týždeň	1x za rok	1x za 2 roky	2000 h	4000 h	6000 h	8000 h	10000 h	12000 h	Kap.	Súprava náhradných dielov	Vykoná
	50 Hz	60 Hz	1600 h	3200 h	4800 h	6400 h	8000 h	9600 h									
Kontrola činnosti výrobcu			x												19.2	-	obsluha
Vypustiť kondenzát zo vzdušníka <sup>b)</sup> - Pri vysokej vlhkosti vzduchu - Vyliať zachytený kondenzát z nádoby <sup>d)</sup>			x												19.5	-	obsluha
Vypustiť kondenzát zo vzdušníka <sup>b)</sup> - Pri bežnej vlhkosti vzduchu				x											19.5	-	obsluha
Kontrola funkcie výrobcu				x											9	-	obsluha
Kontrola tesnosti spojov a kontrolná prehliadka zariadenia					x										19.3	-	kvalifikovaný odborník
Kontrola elektrických spojov					x										19.4	-	kvalifikovaný odborník
Kontrola chladiča a ventilátora					x										19.9	-	kvalifikovaný odborník
Výmena filtračnej vložky filtra sušiča															19.8	025200304-000	kvalifikovaný odborník
Kontrola poistného ventilu															19.6	-	kvalifikovaný odborník
Výmena vstupného filtra agregátu <sup>a)</sup>								x		x		x			19.7	025200126-000	kvalifikovaný odborník
Vykonáť „Opakovanú skúšku“ podľa EN 62353									x						19.		kvalifikovaný odborník

a) platí údaj v hodinách, ak nie je dostupný, potom platí údaj v rokoch

b) platí len pre kompresor bez sušiča

c) Pri prevedení kompresora 60 Hz sa časový interval v hodinách skráti o 20 % (2000h./1600h., 4000h./3200h., 6000h./4800h., 8000h./6400h., 10000h./8000h., 12000h./9600h.)

d) platí len pre kompresor so sušičom

### 19.2. Kontrola činnosti

- Kontrolovať stav agregátov – agregáty musia mať rovnomerný chod, bez vibrácií, primeranú hlučnosť. V prípade negatívneho výsledku hľadať príčinu stavu alebo volať servis.
- Kontrolovať činnosti ventilátorov (zrakom) – ventilátory musia byť v činnosti v čase, keď sú v činnosti agregáty. V prípade negatívneho výsledku hľadať príčinu stavu alebo volať servis.
- Kontrolovať neporušenosť prívodného kábla, pneumatických hadíc. Poškodené diely vymeniť alebo volať servis.
- Kontrola teploty okolia – teplota okolia musí byť pod povolenou teplotou (40 °C). V prípade vyššej teploty zlepšiť chladenie v miestnosti.
- Pri kompresore so sušičom vzduchu - na fľaši na kondenzát uvoľniť zátku a vyliat kondenzát.

### 19.3. Kontrola tesnosti pneumatických spojov a kontrolná prehliadka zariadenia

#### Kontrola tesnosti:

- Kontrolu tesnosti pneumatických rozvodov kompresora vykonať počas činnosti – tlakovania kompresora.
- Analyzátorom netesností alebo mydlovou vodou kontrolovať tesnosť spojov. Ak je indikovaná netesnosť, spoj je potrebné dotiahnuť, prípadne spoj utesniť.

#### Prehliadka zariadenia:

- Skontrolovať stav agregátu kompresora - rovnomernosť chodu, primeraná hlučnosť.
- Kontrola činnosti ventilátorov - ventilátory musia byť v činnosti v predpísaných cykloch činnosti kompresora.
- Kontrola funkcie teplotného spínača (B2) – teplotný spínač zahriať na teplotu vyššiu ako 40 °C (napr. teplotnou pištoľou – Pozor, nepôsobiť vysokou teplotou na plastové diely v okolí, môže dôjsť k deformácii plastov). Po dosiahnutí teploty 40 °C sa uvedie do činnosti ventilátor EV1 (aj EV2, v prípade kompresora so sušičom) – kompresor musí byť pod napätím.
- Skontrolovať stav filtrov – filtre musia byť bez poškodenia a primerane čisté.
- Skontrolovať stav samotného agregátu, skontrolovať, či nie sú nečistoty v kľukovej skrini, príp. vôľa na kľukovom hriadelí.

V prípade zistených nedostatkov, chybné súčiastky vymeniť.

### 19.4. Kontrola elektrických spojov



**Kontrolu elektrických spojov výrobku vykonávať pri odpojenom sieťovom napätí!**

#### Kontrola

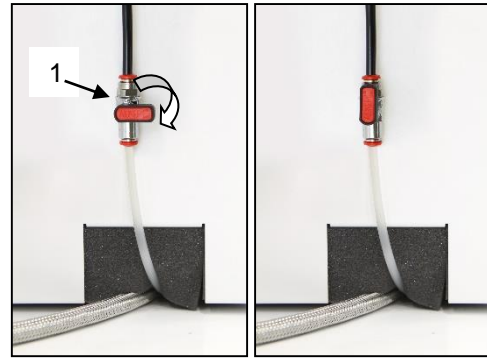
- Skontrolovať mechanickú funkčnosť hlavného vypínača.
- Skontrolovať neporušenosť prívodného kábla, pripojenie vodičov.
- Vizualne skontrolovať pripojenie káblov na svorkovnicu.
- Skontrolovať všetky skrutkové spoje ochranného zelenožltého vodiča PE.

### 19.5. Vypustenie kondenzátu

#### Kompresory (Obr. 10)

Pri pravidelnej prevádzke sa odporúča vypustiť kondenzát z tlakovej nádoby. Kompresor vypnúť zo siete a tlak vzduchu v zariadení znížiť na tlak max. 1 bar, napríklad odpustením vzduchu cez pripojené zariadenie. Hadicu s odkalovacím ventilom nasmerovať do vopred pripravenej nádoby a otvorením vypúšťacieho ventilu (1) vypustiť kondenzát z nádrže.

Obr. 10



**Vypúšťací ventil otvárať opatrne a postupne. Veľké otvorenie vypúšťacieho ventilu je sprevádzané výrazným akustickým prejavom a nekontrolovaným vystreknutím nahromadeného kondenzátu.**

Kompresory bez sušiča je možné vybaviť Automatickým odvodom kondenzátu (AOK), ktorý zabezpečí odvádzanie kondenzátu bez zásahu obsluhy (pozri kap. 8.2.).

#### Kompresory so sušičom vzduchu (Obr. 11)

Pri kompresore so sušičom vzduchu sa kondenzát automaticky vylučuje do fľaše. Fľašu je potrebné pravidelne vyprázdňovať.

Obr. 11



**Kontrolovať naplnenie nádoby po značku (podľa objemu 1l /2l nádoby) a vyprázdniť najneskôr raz za deň. V prípade nedodržania intervalu vylievania nádoby môže dôjsť k pretečeniu nádoby.**



**Riziko pošmyknutia na vlhkej podlahe v prípade pretečenia nádoby.**



**PRED NASLEDOVNÝMI KONTROLAMI JE POTREBNÉ:**

Pri prevedeniach kompresora so skrinkou DK50-10 S, DK50-10 S/M - odložiť skrinku / nadvihnúť skrinku smerom nahor.

Pri prevedení kompresora so skrinkou DK50-10 S/M 10bar - demontovať veko skrinky, odpojiť konektor skrinky od konektora kompresora a odložiť skrinku / nadvihnúť skrinku smerom nahor.

### 19.6. Kontrola poistného ventilu

(Obr. 11)

Pri prvom uvedení kompresora do prevádzky treba skontrolovať správnu funkciu poistného ventilu. Skrutku (2) poistného ventilu (1) otočiť niekoľko otáčok doľava kým vzduch cez poistný ventil nevyfúkne. Poistný ventil nechať len krátko voľne vyfúknuť. Skrutku (2) otáčať doprava až na doraz, ventil musí byť teraz opäť zatvorený.

Obr. 12





Poistný ventil sa nesmie používať na odtlakovanie vzdušníka. Môže to ohroziť funkciu poistného ventilu. U výrobcu je nastavený na povolený maximálny tlak, je preskúšaný a označený. Nesmie sa prestavovať!

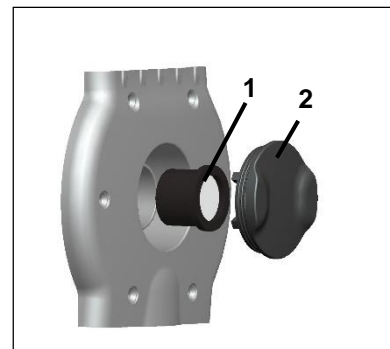


**POZOR! STLAČENÝ VZDUCH MÔŽE BYŤ NEBEZPEČNÝ. PRI ODFÚKNUTÍ VZDUCHU SI TREBA CHRÁNIŤ ZRAK. NEBEZPEČENSTVO POŠKODENIA ZRAKU.**

### 19.7. Výmena vstupného filtra

(Obr. 13)

- Rukou vytiahnuť gumenú zátku (2).
- Znečistený vstupný filter (1) vybrať.
- Vložiť nový filter a nasadiť gumenú zátku.

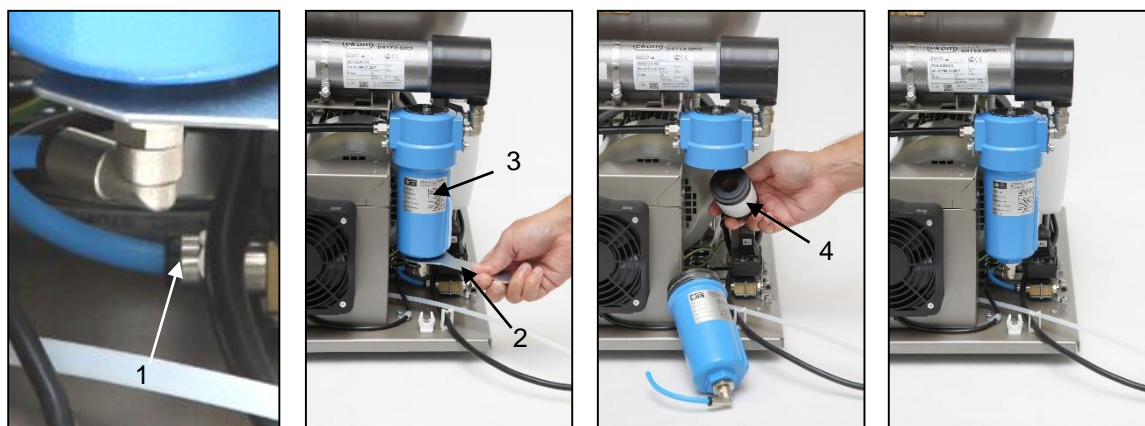


Obr. 13

### 19.8. Výmena filtračnej vložky vo filtri

(Obr. 14)

- Vytiahnuť hadičku (1) z rýchlospojky.
- Kľúčom (2) povoliť nádobku filtra (3) a demontovať.
- Filtračnú vložku (4) demontovať jej vytiahnutím smerom dolu.
- Vložiť novú vložku.
- Nasadiť nádobku filtra.
- Kľúčom jemne dotiahnuť nádobku filtra.
- Osadiť hadičku späť do rýchlospojky.



Obr. 14

### 19.9. Kontrola chladiča a ventilátora (Obr. 2)

Aby bolo sušenie účinné, je treba udržiavať celé zariadenie a najmä ventilátor kompresora, ventilátor chladiča (21) a chladič (14) v čistote. Odsať alebo stlačeným vzduchom odstrániť usadený prach z povrchu chladiacich rebier a ventilátorov.

### 19.10. Postup pri zapojení kompresora odpojeného od skrinky



**Pred každou prácou pri údržbe alebo oprave kompresor nevyhnutne vypnite a odpojte zo siete (vytiahnuť sieťovú zástrčku).**

Kompresor (bez skrinky) potrebuje pre správnu činnosť, aby prepajka / mostík (jumper) bola vždy osadená v svorkovnici (Obr. 15, Poz. B). Nahradzuje vtedy zapnutie vypínača umiestneného na skrinke.



**Ak vo svorkovnici kompresora (nepripojeného ku skrinke) nie je osadená prepajka / mostík, nebude funkčný kompresor !**

V prípade vybratia kompresora zo skrinky a odpojenia šnúry medzi kompresorom a skrinkou (vytiahnutím vidlice konektora), kompresor nie je funkčný. Preto je nutné najskôr vytvoriť prepajku na svorkovnici prepajkou / mostíkom (nahradí funkciu vypínača na skrinke) (Obr. 15).

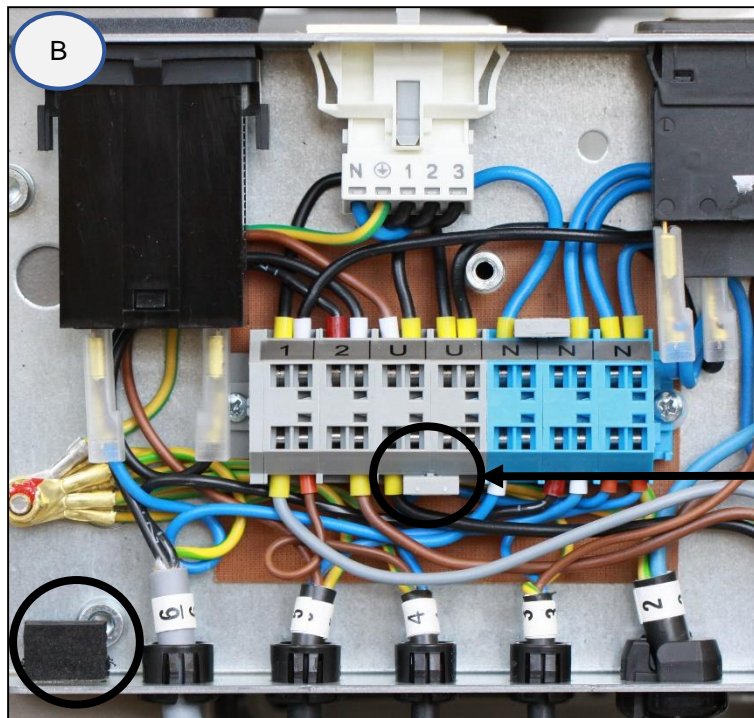
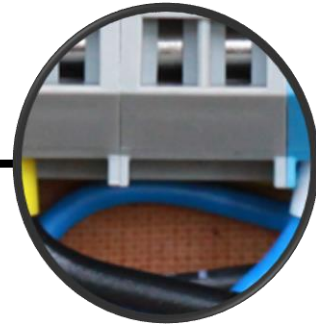
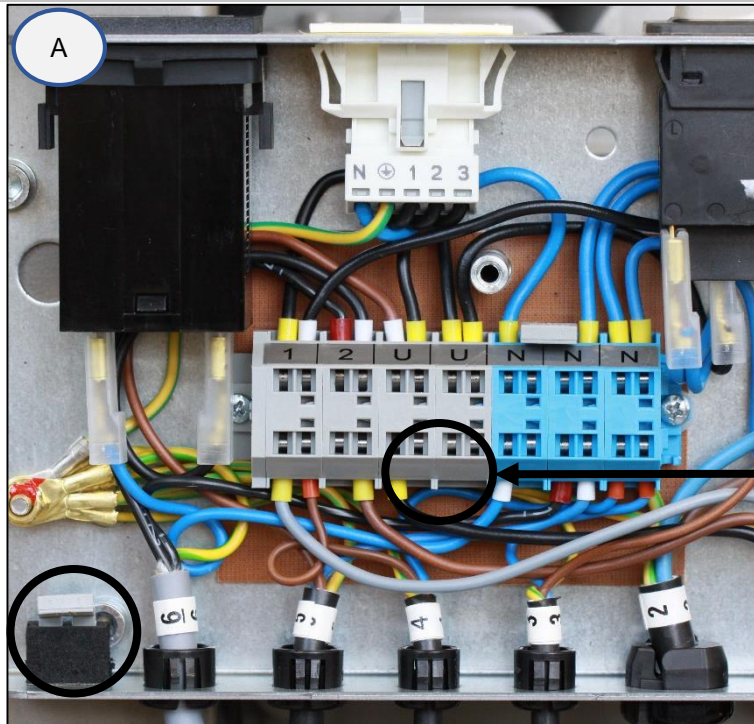
**POSTUP** (Obr. 15):

**Montáž prepajky / mostíka** (postup A-B):

- Odpojiť výrobok od elektrickej siete vytiahnutím vidlice zo zásuvky.
- Demontovať kryt elektropanelu (na kompresore).
- Mostík nie je vo svorkovnici - A.
- Zasunúť mostík do svorkovnice - B.
- Namontovať kryt elektropanelu späť.
- Pripojiť výrobok k elektrickej sieti.
- Kompresor uviesť do činnosti zapnutím vypínača na tlakovom spínači.

Kompresor - pri činnosti mimo skrinky **MUSÍ** mať vytvorený elektrický spoj prepajkou / mostíkom (Obr.15, poz. B).

Obr. 15



230V

### 19.11. Postup pri zapojení kompresora k novej skrinke



**Pred každou prácou pri údržbe alebo oprave kompresor nevyhnutne vypnite a odpojte zo siete (vytiahnuť sieťovú zástrčku).**

Kompresor v skrinke potrebuje pre správnu činnosť, aby prepojka / mostík (jumper) nebola osadená v svorkovnici (Obr. 15, Poz. A). Vypínač umiestnený na skrinke zapína a vypína celý výrobok vrátane kompresora.



**Ak vo svorkovnici kompresora pripojeného ku skrinke je osadená prepojka / mostík, nebude funkčný vypínač na skrinke !**

Ak ku kompresoru, ktorý predtým pracoval samostatne (kompresor bez skrinky), chceme pripojiť novú skrinku, potom je nutné zrušiť prepoj vo svorkovnici kompresora vykonaním postupu, vid' ďalej (Obr. 15,). (Pozri tiež kap. 14.1 a 14.2).

**POSTUP** (Obr. 15):

**Demontáž prepójky / mostíka** (postup B-A):

- Odpojiť výrobok od elektrickej siete vytiahnutím vidlice zo zásuvky.
- Demontovať kryt elektropanelu (na kompresore).
- Mostík je vo svorkovnici –B.
- Vybrať mostík zo svorkovnice – A.
- Namontovať kryt elektropanelu späť.
- Zasuňte kompresor do skrinky.
- Skrinku pripojiť ku kompresoru šnúrou s konektorom (1) do zásuvky (2). (Obr.8).
- Pripojiť výrobok k elektrickej sieti.
- Kompresor uviesť do činnosti zapnutím vypínača na tlakovom spínači a vypínača (5) na skrinke (Obr.9).

Kompresor so skrinkou - pri činnosti v skrinke **NESMIE** mať elektrický prepoj. (Obr. 15, Poz. A)

**Poznámka :** Mostík, ktorý nie je osadený vo svorkovnici, je potrebné uschovať pre prípad použitia kompresora bez skrinky alebo pre prípad servisného zásahu, na určené miesto pri elektropaneli.

### 19.12. Čistenie a dezinfekcia vonkajších plôch výrobku

Na čistenie a dezinfekciu vonkajších plôch výrobku používať neutrálne prostriedky.



**Používanie agresívnych čistiacich a dezinfekčných prostriedkov obsahujúcich alkohol a chloridy môže viesť k poškodeniu povrchu a zmeny farby výrobku.**

## VYHLÁDÁVANIE PORÚCH A ICH ODSTRÁNENIE



**PRED ZÁSAHOM DO ZARIADENIA JE POTREBNÉ ZNÍŽIŤ TLAK VZDUCHU VO VZDUŠNÍKU NA NULU A ODPOJIŤ ZARIADENIE OD ELEKTRICKEJ SIETE.**

Aby sa zachovala trvalá účinnosť sušenia, je treba udržiavať celé zariadenie a najmä ventilátor chladiča v čistote – občas odsať /vyfúkať z povrchu chladiacich rebier usadený prach.

Činnosti súvisiace s odstraňovaním porúch môže vykonávať len kvalifikovaný odborník servisnej služby.

<b>PORUCHA</b>	<b>MOŽNÁ PRÍČINA</b>	<b>SPÔSOB ODSTRÁNENIA</b>
Kompresor sa nerozbieha	V tlakovom spínači nie je napätie  Prerušené vinutie motora, poškodená tepelná ochrana Chybný kondenzátor Zadretý piest alebo iná rotačná časť Naspína tlakový spínač	Kontrola napätia v zásuvke Kontrola stavu istiaceho vypínača - zapnúť vypínač (4) do polohy „I“. (Obr. 9) Uvoľnený vodič zo svorky - opraviť Kontrola elektrickej šnúry – chybnú vymeniť Na tlakovom spínači (1) zapnúť vypínač (2) (Obr. 9) Kompresor v skrinke - nie je pripojený šnúrou ku skrinke – vytvoriť prepoj šnúrou zo skrinky (kap.14) Kompresor (bez skrinky), ktorý predtým pracoval v skrinke - nie je vytvorený prepoj vo svorkovnici (kap.19.10)  Motor vymeniť, resp. previnúť vinutie  Kondenzátor vymeniť Poškodené časti vymeniť Skontrolovať funkciu tlakového spínača
Vypínač skrinky nevypína kompresor	V skrinke je umiestnený kompresor, ktorý pracoval samostatne (vo svorkovnici kompresora je mostík)	Odstrániť mostík vo svorkovnici, pozri. Kap.19.11
Kompresor spína často	Únik vzduchu z pneumatického rozvodu Netesnosť spätného ventilu (SV)  V tlakovej nádobe je väčšie množstvo skondenzovanej kvapaliny Nízka výkonnosť kompresora	Kontrola pneumatického rozvodu – uvoľnený spoj utesniť SV vyčistiť, vymeniť tesnenia, vymeniť SV Vypustiť skondenzovanú kvapalinu  Kontrola času naplnenia vzdušníka
Nízky tlak vo vzdušníku (kompresor je v činnosti trvale)	Vysoká spotreba vzduchu spotrebičom, Netesnosti v pneumatickom rozvode, Nízka výkonnosť agregátu Porucha agregátu Porucha sušiča	Zníženie spotreby vzduchu Použitie výkonnejšieho kompresora Kontrola pneumatického rozvodu – netesné spoje utesniť Oprava / výmena agregátu Oprava / výmena agregátu Výmena sušiča

Chod kompresora sa predlžuje	Únik vzduchu z pneumatického rozvodu Opotrebený piestny krúžok Znečistený vstupný filter Nesprávna funkcia solenoidného ventilu	Kontrola pneumatického rozvodu – uvoľnený spoj utesniť Opotrebený piestny krúžok vymeniť Znečistený filter nahradiť novým Opraviť alebo vymeniť ventil alebo cievku
Kompresor je hlučný (klepanie, kovové zvuky)	Poškodené ložisko piesta, ojnice, ložisko motora Uvoľnený (prasknutý) tlmiaci člen (pružina)	Poškodené ložisko vymeniť  Poškodenú pružinu nahradiť
Sušič nesuší (vo vzduchu sa objavuje kondenzát) *	Nefunkčný ventilátor chladiča	Ventilátor vymeniť Preveriť prívod elektrickej energie
	Poškodený sušič	Vymeniť sušič
	Nefunkčný automatický odvod kondenzátu	Vyčistiť / vymeniť

)\* Po poruche sušiča je nutné dôkladne vyčistiť vnútorný povrch vzdušníka a skondenzovanú kvapalinu dokonale odstrániť.

**Skontrolovať vlhkosť vypúšťaného vzduchu zo vzdušníka (pozri kap. 7 - Technické údaje), na zabezpečenie ochrany pripojeného zariadenia pred poškodením!**

## 20. INFORMÁCIE O OPRAVÁRENSKEJ SLUŽBE

Záručné a mimozáručné opravy zabezpečuje výrobca alebo organizácie a opravárske osoby, o ktorých informuje dodávateľ.

*Upozornenie !*

Výrobca si vyhradzuje právo vykonať na výrobku zmeny, ktoré však neovplyvnia podstatné vlastnosti prístroja.

## 21. Odstavenie

V prípade, že sa kompresor nebude dlhší čas používať, odporúča sa vypustiť kondenzát z tlakovej nádrže a kompresor uviesť do prevádzky asi na 10 minút s otvoreným ventilom na vypúšťanie kondenzátu (1) (obr. 10). Potom kompresor vypnúť vypínačom (2) na tlakovom spínači (1) (obr.9), uzatvoriť ventil na vypúšťanie kondenzátu a odpojiť zariadenie od elektrickej siete.

## 22. LIKVIDÁCIA PRÍSTROJA

- Odpojiť zariadenie od elektrickej siete.
- Vypustiť tlak vzduchu v tlakovej nádrži otvorením ventilu na vypúšťanie kondenzátu (1) (obr. 10).
- Zariadenie zlikvidovať podľa miestne platných predpisov.
- Triedenie a likvidáciu odpadu zadať špecializovanej organizácii.
- Časti výrobku po skončení jeho životnosti nemajú negatívny vplyv na životné prostredie.

**OBSAH**

<b>DŮLEŽITÉ INFORMACE .....</b>	<b>232</b>
1. SHODA S POŽADAVKY SMĚRNIC EVROPSKÉ UNIE .....	232
2. URČENÉ POUŽITÍ .....	232
3. KONTRAINDIKACE A VEDLEJŠÍ ÚČINKY .....	232
4. UPOZORNĚNÍ A SYMBOLY .....	232
5. UPOZORNĚNÍ .....	233
6. PODMÍNKY SKLADOVÁNÍ A PŘEPRAVY .....	235
7. TECHNICKÉ ÚDAJE .....	236
8. POPIS VÝROBKU .....	242
9. FUNKCE VÝROBKU .....	243
10. PNEUMATICKÉ SCHÉMA .....	247
<b>INSTALACE .....</b>	<b>248</b>
11. PODMÍNKY POUŽITÍ .....	248
12. UMÍSTĚNÍ KOMPRESORU .....	249
13. PNEUMATICKÉ PŘIPOJENÍ .....	250
14. ELEKTRICKÉ ZAPOJENÍ .....	250
15. SCHÉMA ZAPOJENÍ .....	251
<b>OBSLUHA .....</b>	<b>256</b>
16. PRVNÍ UVEDENÍ DO PROVOZU .....	256
17. ZAPNUTÍ KOMPRESORU .....	257
18. VYPNUTÍ KOMPRESORU .....	257
<b>ÚDRŽBA .....</b>	<b>258</b>
19. ÚDRŽBA VÝROBKU .....	258
<b>VYHLEDÁVÁNÍ PORUCH A JEJICH ODSTRANĚNÍ .....</b>	<b>266</b>
20. INFORMACE O SERVISU .....	267
21. ODSTAVENÍ Z PROVOZU .....	267
22. LIKVIDACE PŘÍSTROJE .....	267
<b>PŘÍLOHA .....</b>	<b>268</b>
23. ZÁZNAM O INSTALACI .....	274

## DŮLEŽITÉ INFORMACE

### 1. SHODA S POŽADAVKY SMĚRNIC EVROPSKÉ UNIE

Tento výrobek je ve shodě s požadavky Nařízení (EU) o zdravotnických prostředcích (MDR 2017/745) a při dodržení všech bezpečnostních pokynů je pro určené použití bezpečný.

### 2. URČENÉ POUŽITÍ

Kompresor se používá jako zdroj čistého, bezolejového stlačeného vzduchu pro napájení aktivních zdravotnických prostředků, kde stlačený vzduch vyhovuje svými parametry a vlastnostmi.



**Vzduch kompresoru není bez jeho další úpravy vhodný pro připojení k přístrojům pro umělou ventilaci plic.**

Jakékoli použití výrobku nad rámec určeného použití se považuje za nesprávné. Výrobce nemůže nést odpovědnost za jakékoli škody nebo zranění způsobené nesprávným použitím.

### 3. KONTRAINDIKACE A VEDLEJŠÍ ÚČINKY

Nejsou známy žádné kontraindikace ani vedlejší účinky.

### 4. UPOZORNĚNÍ A SYMBOLY

V návodu k použití, na obalech a na výrobku se pro zvlášť důležité údaje používají následující názvy a symboly:



Všeobecné upozornění



Výstrah



Pozor, nebezpečí úrazu elektrickým proudem



Přečtěte si návod k použití



Dodržujte návod k použití!



Značka CE



Zdravotnický prostředek



Sériové číslo



Kompresor je ovládán automaticky a může se spustit bez výstrahy.



Pozor! Horký povrch.



Připojení ochranného vodiče



Manipulační značka na obalu – KŘEHKÉ



Manipulační značka na obalu – TÍMTO SMĚREM NAHORU



Manipulační značka na obalu – CHRAŇTE PŘED DEŠTĚM



Manipulační značka na obalu – TEPLOTNÍ OMEZENÍ



Manipulační značka na obalu – OMEZENÉ STOHOVÁNÍ



Značka na obalu – RECYKLOVATELNÝ MATERIÁL



Výrobce

## 5. UPOZORNĚNÍ

Výrobek je navržen a vyroben tak, aby byl při stanoveném způsobu používání bezpečný pro uživatele i pro jeho okolí. Proto je zapotřebí se řídit následujícími upozorněními.

### 5.1. Všeobecná upozornění

**NÁVOD K POUŽITÍ SI PŘED POUŽITÍM PEČLIVĚ PŘEČTĚTE A USCHOVEJTE PRO BUDOUCÍ POUŽITÍ!**

- Tato uživatelská příručka obsahuje pokyny pro správnou montáž, používání a údržbu výrobku. Po pečlivém prostudování této příručky získáte informace potřebné ke správnému používání výrobku v souladu s jeho určeným použitím.
- Ponechte si originální obal pro případné vrácení výrobku. Náležitou ochranu zařízení při přepravě umožní pouze originální obal. Pokud budete nezbytně výrobek vrátit během záruční doby, pak výrobce nenes odpovědnost za škody způsobené jeho nesprávným zabalením.
- Tato záruka se nevztahuje na škody vyplývající z používání příslušenství jinak než způsobem předepsaným nebo doporučeným výrobcem.
- Výrobce poskytuje záruku na bezpečnost, spolehlivost a funkčnost zařízení, pouze pokud:
  - montáž, nová nastavení, změny, rozšíření a opravy provede výrobce nebo organizace schválená výrobcem,
  - je zařízení používáno v souladu s uživatelskou příručkou.
- Uživatelská příručka odpovídá konfiguraci výrobku a je v souladu s bezpečnostními a technickými normami platnými v době jejího tisku. Výrobce si vyhrazuje veškerá práva na ochranu svých konfigurací, metod a názvů.
- Překlad této příručky byl zajištěn dle nejlepšího svědomí a vědomí. V případě jakýchkoliv nejjasností je rozhodující znění slovenské verze.
- Návod k použití je původní, překlad je vyhotoven v souladu s nejlepšími znalostmi.

## 5.2. Všeobecná bezpečnostní upozornění

Výrobce navrhl a vyrobil výrobek tak, aby bylo při správném používání podle určení minimalizováno jakékoli nebezpečí. Výrobce považuje za svou povinnost uvést následující všeobecná bezpečnostní opatření.

- Při provozu výrobku je nutné respektovat zákony a místní předpisy platné v místě použití. V zájmu bezpečného průběhu práce jsou za dodržování předpisů odpovědní provozovatel a uživatel.
- Bezpečnost obsluhujícího personálu a bezporuchový provoz výrobku jsou zaručeny pouze při používání originálních částí výrobku. Používejte pouze příslušenství a náhradní díly uvedené v technické dokumentaci nebo vysloveně povolené výrobcem.
- Před každým použitím výrobku je nutné, aby se uživatel přesvědčil o řádné funkci a bezpečném stavu výrobku.
- Uživatel musí být obeznámen s obsluhou přístroje.
- Výrobek není určen pro provoz v prostorách, kde hrozí nebezpečí výbuchu.
- Pokud v přímé souvislosti s provozem přístroje dojde k nežádoucí události, uživatel je povinen o této události bezodkladně informovat svého dodavatele.
- V případě závažné nehody způsobené pomůckou by měl uživatel událost nahlásit výrobcí a příslušnému orgánu v členském státě, kde má uživatel bydliště.

## 5.3. Bezpečnostní upozornění k ochraně před elektrickým proudem

- Zařízení může být připojeno pouze k řádně nainstalované zásuvce s ochranným připojením.
- Před připojením výrobku je třeba zkontrolovat, zda hodnoty síťového napětí a síťového kmitočtu uvedené na výrobku odpovídají hodnotám napájecí sítě.
- Před uvedením výrobku do provozu je třeba zkontrolovat případné poškození připojovaných vzduchových a elektrických rozvodů. Poškozená pneumatická a elektrická vedení je nutné okamžitě vyměnit.
- Při nebezpečných situacích nebo technických poruchách je nutné výrobek ihned odpojit od sítě (vytáhnout síťovou zástrčku).
- Před zahájením jakýchkoli prací souvisejících s opravami a údržbou proveďte následující:
  - vytáhněte síťovou zástrčku ze zásuvky
  - vypusťte tlak z tlakové nádrže a odvzdušněte tlakové potrubí
- Instalaci výrobku smí provádět pouze kvalifikovaný odborník.

## 6. PODMÍNKY SKLADOVÁNÍ A PŘEPRAVY

Kompresor je ze závodu zasílán v přepravním obalu. Tento obal chrání výrobek před poškozením při přepravě.



**Je-li to možné, používejte při přepravě kompresoru vždy originální obal. Kompresor přepravujte nastojato, vždy zajištěný přepravním upevněním.**



Během přepravy a skladování chraňte kompresor před vlhkostí, nečistotami a extrémními teplotami. Kompresory v originálním obalu lze skladovat v teplých, suchých a bezprašných prostorech. Neskladujte v prostorech společně s chemickými látkami.



Je-li to možné, obalový materiál uschovejte. Pokud to možné není, zlikvidujte obalový materiál v souladu se zásadami ochrany životního prostředí. Přepravní kartón lze přidat ke starému papíru.



**Kompresor se smí přepravovat pouze bez tlaku. Před přepravou je nezbytně nutné vypustit tlak vzduchu z tlakové nádrže a tlakových hadic a vypustit kondenzát ze vzdušníku.**



**Zařízení je zakázáno skladovat a přepravovat mimo definované podmínky, viz níže.**

### Podmínky okolí při skladování a přepravě

Výrobky je možné skladovat v prostorách a dopravních prostředcích beze stop těkavých chemických látek za následujících podmínek:

<b>Teplota</b>	-25 °C až +55 °C, 24 h až +70 °C
<b>Relativní vlhkost</b>	max. 90 % (bez kondenzace)

## 7. TECHNICKÉ ÚDAJE

Kompresory jsou konstruovány pro prostředí suchých a větraných vnitřních prostor za následujících podmínek:

**Teplota**

+5°C až +40°C

**Relativní vlhkost**

max. 70%

Tab. 1

5 – 7 bar		DK50-10 Z		DK50-10 S		DK50-10 Z/M		DK50-10 S/M	
Jmenovité napětí / frekvence (*)	V / Hz	230 / 50/60	115 / 60	230 / 50/60	115 / 60	230 / 50/60	115 / 60	230 / 50/60	115 / 60
Výkon při přetlaku 5 bar	Lit.min-1	75/85	85	75/85	85	58/68	68	58/68	68
Pracovní tlak (**)	bar	5,0 – 7,0		5,0 – 7,0		5,0 – 7,0		5,0 – 7,0	
Jmenovitý proud	A	3,8/4,8	8,9	3,8/4,8	8,9	4,1/5,1	9,1	4,1/5,1	9,1
Výkon motoru	kW	0,55		0,55		0,55		0,55	
Objem vzdušníku	Lit.	10		10		10		10	
Kvalita vzduchu – filtrace	µm	-		-		0,1		0,1	
Přípustný provozní tlak pojistného ventilu	bar	8,0		8,0		8,0		8,0	
Hladina hluku při přetlaku 5 bar	LpFA [dB]	≤64/≤66	≤66	≤46/≤49	≤49	≤65/≤67	≤67	≤49/≤52	≤52
Provozní režim		S1-100%		S1-100%		S1-100%		S1-100%	
Stupeň sušení - PDP při tlaku 7 bar		-		-		≤ +3°C		≤ +3°C	
Čas naplnění vzdušníku z 0 na 6 bar	s	50/44	44	50/44	44	70/60	60	70/60	60
Rozměry (netto) š x h x v	mm	485x350x553		580x440x655		544x350x553		649x440x655	
Hmotnost netto (***)	kg	38		53		44		61	
Klasifikace podle ČSN EN 60601-1		Třída I							

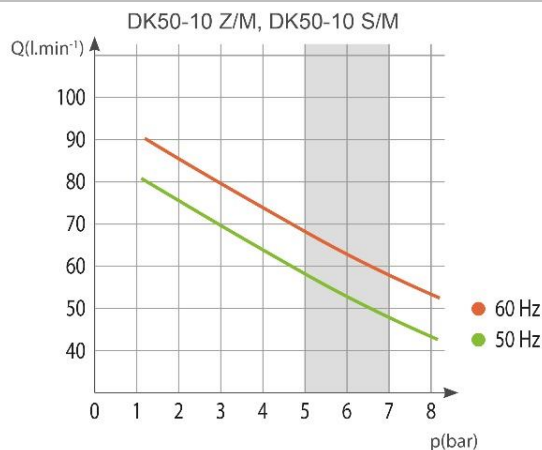
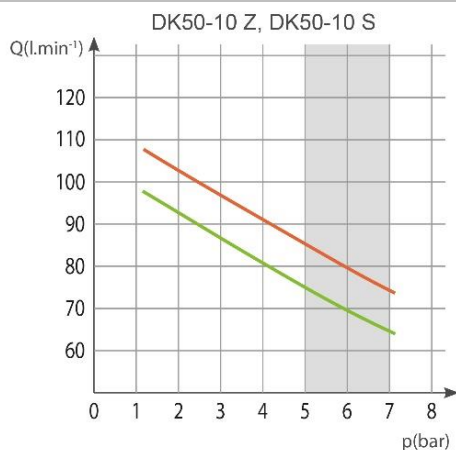
Poznámky:

(\*) Provedení kompresoru uveďte při objednávce

(\*\*) Jiný rozsah tlaku je třeba konzultovat s dodavatelem

(\*\*\*) Hmotnost (váha) je informativní údaj, platí pouze pro výrobek bez jakéhokoli doplňkového vybavení

### Závislost výkonnosti kompresoru od pracovního tlaku



Tab. 2

6 – 8 bar		DK50-10 Z		DK50-10 S		DK50-10 Z/M		DK50-10 S/M	
Jmenovité napětí, frekvence (*)	V / Hz	230 / 50/60	115 / 60	230 / 50/60	115 / 60	230 / 50/60	115 / 60	230 / 50/60	115 / 60
Výkon kompresoru při přetlaku 6 bar	Lit.min-1	70/80	80	70/80	80	60/70	70	60/70	70
Pracovní tlak kompresoru (**)	bar	6,0 – 8,0		6,0 – 8,0		6,0 – 8,0		6,0 – 8,0	
Jmenovitý proud	A	3,9/4,9	9	3,9/4,9	9	4,1/5,1	9,2	4,1/5,1	9,2
Výkon motoru	kW	0,55		0,55		0,55		0,55	
Objem vzdušníku	Lit.	10		10		10		10	
Kvalita vzduchu – filtrace	µm	-		-		0,1		0,1	
Přípustný provozní tlak pojistného ventilu	bar	12,0		12,0		12,0		12,0	
Hladina hluku při přetlaku 5 bar	Lp <sub>f</sub> A[dB]	≤64/≤66	≤66	≤46/≤49	≤49	≤65/≤67	≤67	≤49/≤52	≤52
Provozní režim		S1-100%		S1-100%		S1-100%		S1-100%	
Stupeň sušení - PDP při tlaku 7 bar		-		-		≤ +3°C		≤ +3°C	
Čas naplnění vzdušníku z 0 na 7 bar	s	60/51	51	60/51	51	72/61	61	72/61	61
Rozměry netto š x h x v	mm	485x350x553		580x440x655		544x350x553		649x440x655	
Hmotnost netto (***)	kg	38		53		44		61	
Klasifikace podle ČSN EN 60601-1		Třída I							

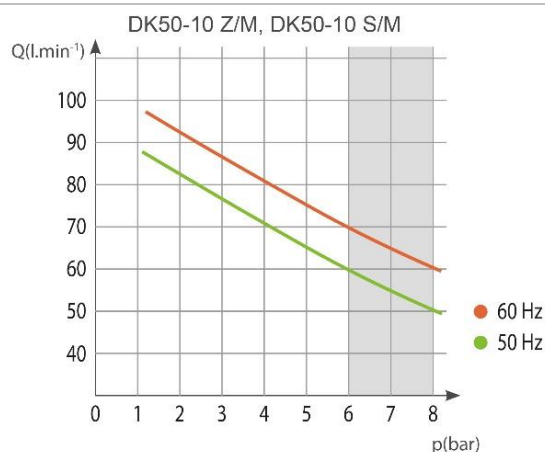
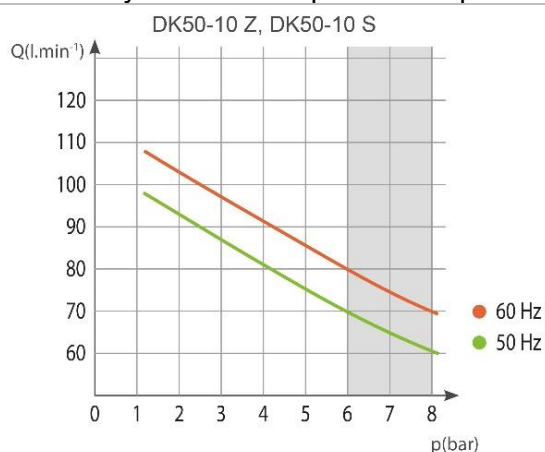
## Poznámky:

(\*) Provedení kompresoru uveďte při objednávce

(\*\*) Jiný rozsah tlaku je třeba konzultovat s dodavatelem

(\*\*\*) Hmotnost (váha) je informativní údaj, platí pouze pro výrobek bez jakéhokoli doplňkového vybavení

## Závislost výkonosti kompresoru od pracovního tlaku



Tab. 3

8 – 10 bar		DK50-10 Z		DK50-10 S		DK50-10 Z/M		DK50-10 S/M	
Jmenovité napětí, frekvence (*)	V / Hz	230 / 50/60	115 / 60	230 / 50/60	115 / 60	230 / 50/60	115 / 60	230 / 50/60	115 / 60
Výkon kompresoru při přetlaku 8 bar	Lit.min-1	60/70	70	60/70	70	50/60	60	50/60	60
Pracovní tlak kompresoru (**)	bar	8,0 – 10,0		8,0 – 10,0		8,0 – 10,0		8,0 – 10,0	
Jmenovitý proud	A	4,1/5,1	9,2	4,1/5,1	9,2	4,3/5,3	9,4	4,4/5,4	9,4
Výkon motoru	kW	0,55		0,55		0,55		0,55	
Objem vzdušníku	Lit.	10		10		10		10	
Kvalita vzduchu – filtrace	μm	-		-		0,1		0,1	
Přípustný provozní tlak pojistného ventilu	bar	12,0		12,0		12,0		12,0	
Hladina hluku při přetlaku 5 bar	LpA [dB]	≤64/≤66	≤66	≤46/≤49	≤49	≤65/≤67	≤67	≤49/≤52	≤52
Provozní režim		S1-100%		S1-100%		S1-100%		S1-100%	
Stupeň sušení - PDP při tlaku 7 bar		-		-		≤ +3°C		≤ +3°C	
Čas naplnění vzdušníku z 0 na 9 bar	s	85/75	75	85/75	75	96/82	82	96/82	82
Rozměry netto š x h x v	mm	485x350x553		580x440x655		544x350x553		649x440x655	
Hmotnost netto (***)	kg	38		53		44		61	
Klasifikace podle ČSN EN 60601-1		Třída I							

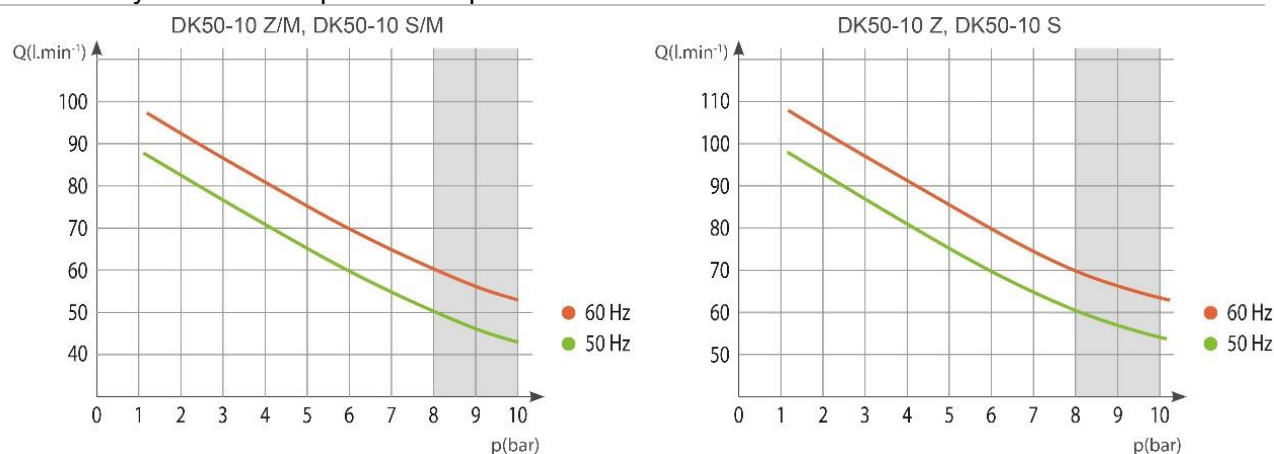
## Poznámky:

(\*) Provedení kompresoru uveďte při objednávce

(\*\*) Jiný rozsah tlaku je třeba konzultovat s dodavatelem

(\*\*\*) Hmotnost ( váha) je informativní údaj, platí pouze pro výrobek bez jakéhokoli doplňkového vybavení

## Závislost výkonnosti kompresoru od pracovního tlaku



### 7.1. Korekce FAD výkonnosti podle nadmořské výšky

Výkonnost udávaná ve formě FAD („Free Air Delivery“) se vztahuje na podmínky:

Nadmořská výška	0 m. n. m.	Teplota	20 °C
Atmosférický tlak	101 325 Pa	Relativní vlhkost	0 %

Pro přepočítání FAD výkonnosti kompresoru v závislosti na nadmořské výšce je třeba aplikovat korekční faktor podle následující tabulky:

<b>Nadm. výška [m. n. m.]</b>	0–1500	1501–2500	2501–3500	3501–4500
<b>Korekční faktor FAD</b>	1	0,8	0,71	0,60

### 7.2. Prohlášení k elektromagnetické kompatibilitě

Přístroj vyžaduje speciální obezřetnost týkající se elektromagnetické kompatibility (EMC) a vyžaduje instalaci a uvedení do provozu v souladu s EMC informacemi uvedenými níže.

<b>Návod a prohlášení výrobce - elektromagnetická vyzařování</b>		
Podle IEC 60601-1-2: 2014 - Zdravotnické elektrické přístroje. Část 1-2: Všeobecné požadavky na základní bezpečnost a nezbytnou funkčnost. Skupinová norma: Elektromagnetické rušení		
Přístroj je určen pro použití v elektromagnetickém prostředí specifikovaném níže. Zákazník nebo uživatel by měly zajistit, aby byl přístroj používán v takovém prostředí.		
<b>Zkouška vyzařování</b>	<b>Shoda</b>	<b>Elektromagnetické prostředí - návod</b>
RF vyzařování CISPR 11	Skupina 1	Přístroj využívá RF energii pouze pro svoji interní funkci. Proto jsou RF emise velmi nízké a pravděpodobně nezpůsobí rušení blízkých elektronických zařízení.
RF vyzařování CISPR 11	Třída B	Přístroj je vhodný pro použití ve všech institucích, včetně domácností a těch objektů, jež jsou přímo připojeny k veřejné nízkonapěťové napájecí síti, která zásobuje budovy používané pro účely bydlení.
Harmonická vyzařování IEC 61000-3-2	Třída A	
Kolísání napětí / blikavé vyzařování IEC 61000-3-3	Přístroj pravděpodobně nebude způsobovat blikavé vyzařování, protože proud po spuštění je přibližně konstantní.	


### Návod a prohlášení výrobce - elektromagnetická odolnost

Podle IEC 60601-1-2: 2014 - Zdravotnické elektrické přístroje. Část 1-2: Všeobecné požadavky na základní bezpečnost a nezbytné provozní vlastnosti. Skupinová norma: Elektromagnetické rušení

Přístroj je určen pro použití v elektromagnetickém prostředí specifikovaném níže. Zákazník nebo uživatel by měly zajistit, aby byl přístroj používán v takovém prostředí.

Zkouška odolnosti	Zkušební úroveň IEC 60601-1-2	Vyhovující úroveň	Elektromagnetické prostředí - návod
Elektrostatický výboj (ESD) dle IEC 61000-4-2	±8 kV kontakt ±15 kV vzduch	±8 kV kontakt ±15 kV vzduch	Podlaha by měla být dřevěná, betonová nebo keramická. Pokud je podlaha pokryta syntetickým materiálem, musí být relativní vlhkost vzduchu alespoň 30%.
Rychlé elektrické přechodné jevy / skupiny impulzů IEC 61000-4-4	± 2 kV u napájecích vedení ± 1 kV u vstupního / výstupního vedení	± 2 kV 100 kHz frekvence opakování Připojené na síť	Jakost napájecí sítě by měla být taková, jenž je typická pro komerční nebo nemocniční prostředí.
Rázový impulz IEC 61000-4-5	± 1 kV rozdílový režim ± 2 kV společný režim	± 1 kV L-N ± 2 kV L-PE; N-PE Připojené na síť	Jakost napájecí sítě by měla být taková, jenž je typická pro komerční nebo nemocniční prostředí.
Pokles napětí, krátké přerušení a změny napětí na vstupních elektrických rozvodech IEC 60601-4-11	UT = 0%, 0,5 cyklu (Při 0, 45, 90, 135, 180, 225, 270 a 315 °)  UT = 0%, 1 cyklus  UT = 70% 25/30 cyklů (při 0 °)  UT = 0%, 250/300 cyklů	UT => 95%, 0,5 cyklu (Při 0, 45, 90, 135, 180, 225, 270 a 315 °)  UT => 95%, 1 cyklus  UT = 70% (30% pokles UT), 25 (50Hz) / 30 (60Hz) cyklů (při 0 °)  UT => 95%, 250 (50Hz) / 300 (60Hz) cyklů	Jakost napájecí sítě by měla být taková, jenž je typická pro komerční nebo nemocniční prostředí.  Přístroj se automaticky zastaví a restartuje při každém poklesu napětí. V tomto případě nedochází k nepřijatelnému poklesu tlaku.
Magnetické pole síťového kmitočtu (50/60 Hz) podle IEC 61000-4-8	30 A/m	30 A/m	Magnetické pole síťového kmitočtu by měla odpovídat typickým hodnotám, které se nacházejí v komerčním nebo nemocničním prostředí.

POZNÁMKA: UT je AC síťové napájení před aplikací zkušební úrovně.

<b>Návod a prohlášení výrobce - elektromagnetická odolnost</b>			
Podle IEC 60601-1-2: 2014 - Zdravotnické elektrické přístroje. Část 1-2: Všeobecné požadavky na základní bezpečnost a nezbytné provozní vlastnosti. Skupinová norma: Elektromagnetické rušení			
Přístroj je určen pro použití v elektromagnetickém prostředí specifikovaném níže. Zákazník nebo uživatel by měly zajistit, aby byl přístroj používán v takovém prostředí.			
<b>Zkouška odolnosti</b>	<b>Zkušební úroveň IEC 60601-1-2</b>	<b>Vyhovující úroveň</b>	<b>Elektromagnetické prostředí - návod</b>
Vedený vysoký kmitočet IEC 61000-4-6	3 Vrms 150 kHz až 80MHz	3 Vrms	Přenosné a mobilní vysokofrekvenční sdělovací zařízení se nemají používat blíže jakékoliv části přístroje včetně kabelů, než je doporučená oddělovací vzdálenost vypočtená pomocí rovnice vhodné pro kmitočet vysílače. <b>Doporučená oddělovací vzdálenost</b> $d=1,2\sqrt{P}$  $d=1,2\sqrt{P}$ , 80 MHz až 800 MHz  $d=2,3\sqrt{P}$ , 800 MHz až 2,7 GHz
Vyzařovaný vysoký kmitočet IEC 61000-4-3	3 V/m 80 MHz až 2,7 GHz	3 V/m	kde P je maximální jmenovitý výstupní výkon vysílače ve wattch (W) podle údajů výrobce vysílače a d je doporučená oddělovací vzdálenost v metrech (m).
Blízké pole od RF bezdrátových komunikačních přístrojů IEC 61000-4-3	9 až 28 V/m 15 určených frekvencí (380 až 5800 MHz)	9 až 28 V/m 15 určených frekvencí (380 až 5800 MHz)	Intenzity pole ze stálých vysokofrekvenčních vysílačů, určené přehledem elektromagnetické charakteristiky daného místa <sup>a</sup> , by měla být v každém kmitočtovém rozsahu <sup>b</sup> nižší než vyhovující úroveň. V okolí přístroje označeného následující značkou může dojít k rušení: 
POZNÁMKA 1 Při 80 MHz a 800 MHz platí vyšší kmitočtový rozsah. POZNÁMKA 2 Tento návod nemusí platit ve všech situacích. Šíření elektromagnetického vlnění je ovlivněno pohlcováním a odrazem od staveb, předmětů a lidí.			
<sup>a</sup> Intenzity pole ze stálých vysílačů, jako jsou základnové stanice u rádiových (buňkových/bezšňůrových) telefonů a pozemních mobilních i amatérských radiostanic, u AM a FM rádiového a televizního vysílání, nemohou být přesně teoreticky předpovídaný. K posouzení elektromagnetického prostředí pro stálé vysokofrekvenční vysílače by měl být zvážen přehled o elektromagnetické charakteristice v místě. Pokud naměřená intenzita pole na místě, na kterém je přístroj používán, překročí výše uvedenou příslušnou vysokofrekvenční vyhovující úroveň, je třeba přístroj pozorovat, aby bylo možné ověřit jeho normální provoz. Neobvyklé chování si může vyžádat dodatečná opatření, např. jiné nasměrování nebo přemístění přístroje.			
<sup>b</sup> V celém kmitočtovém rozsahu od 150 kHz do 80 MHz by intenzita pole měla být nižší než 3 V/m.			

## 8. POPIS VÝROBKU

### 8.1. Provedení

Kompresory se vyrábí podle účelu v následujících provedeních:

<b>DK50-10 Z</b>	kompresor na základně pro samostatné umístění v místnosti
<b>DK50-10 Z/M</b>	kompresor na základně se sušičem vzduchu
<b>DK50-10 S</b>	kompresor ve skřínce s účinným tlumením hluku pro umístění v ordinaci
<b>DK50-10 S/M</b>	kompresor s membránovým sušičem vzduchu ve skřínce



**DK50-10 Z**



**DK50-10 Z/M**



**DK50-10 S  
DK50-10 S/M**

### 8.2. Doplnkové vybavení

Doplnkové vybavení není předmětem základní dodávky, je nutno je objednat zvlášť.

#### 8.2.1. Automatický odvod kondenzátu

Automatický odvod kondenzátu (AOK) zajišťuje automatické vypouštění zkondenzované kapaliny v nastaveném časovém intervalu ze vzdušníku kompresoru. Je vhodné doplnit AOK ke kompresoru bez sušiče.

Typ	Použití	Artiklové číslo
AOK 10	DK50-10Z	447000001-046

#### 8.2.2. Sada filtrů výstupního stlačeného vzduchu

Kompresor může být na základě požadavku vybaven sadou filtrů. Filtrační sada může být doplněna o regulátor tlaku vzduchu.



**Případný požadavek na jiný stupeň filtrace vzduchu musí být dohodnut předem s dodavatelem a specifikován v objednávce.**

Typ	Použití	Stupeň filtrace / $\mu\text{m}$ /	Artiklové číslo
FS 20F		1	604014119-003
FS 20M	DK50-10Z	1+0,1	604014119-009
FS 20S	DK50-10Z/M	1+0,01	604014119-012
FS 20A		1+0,01+A**	604014119-013

\*\* ) A – submikrofiltr s aktivním uhlím

### 8.2.3. Sada regulátoru k filtračním sadám

Kompresor může být na základě požadavku vybaven sadou regulátoru tlaku výstupního stlačeného vzduchu. Regulátor vybírejte podle použití k filtrační sadě anebo samostatně. Regulátor zajistí konstantní tlak na výstupu z kompresoru.

Typ	Použití	Artiklové číslo
Regulátor komplet		604014142-000
REG10	DK50-10Z, DK50-10Z/M	447000001-042

### 8.2.4. Držáky k filtračním sadám



Ke každé sadě je nutné doobjednat vhodný držák.

Typ	Použití	Artiklové číslo
Držák na kompresor (k filtrační sadě)	DK50-10Z, DK50-10Z/M	603002108-000
Držák na stěnu (samostatný)		604014186-000

### 8.2.5. Kondenzační a filtrační jednotka

Kompresor může být dodatečně vybaven i kondenzační a filtrační jednotkou (KJF-1 nebo KJFR-1). Jednotka KJF-1 nebo KJFR-1 umožňuje, aby byl stlačený vzduch ze vzdušníku ochlazen v chladiči a kondenzát zachycen ve filtru a automaticky odloučen z pneumatického rozvodného systému. Stlačený vzduch je současně filtrován.

Typ	Použití	Stupeň filtrace / $\mu$ m/	Regulátor tlaku	Artiklové číslo
KJF-1	DK50-10Z	5	ne	450001011-001
KJFR-1	DK50-10Z/M		ano	450001011-002

## 9. FUNKCE VÝROBKU

### Kompresor (Obr. 1)

Agregát kompresoru (1) nasává atmosférický vzduch přes vstupní filtr (8) a stlačuje ho přes zpětný ventil (3) do vzdušníku (2) a spotřebič odebírá stlačený vzduch ze vzdušníku. Pokud tlak ve vzdušníku klesne na zapínací tlak, tlakový spínač (4) zapne kompresor a kompresor stlačí vzduch do vzdušníku až po vypínací tlak, kdy se kompresor vypne. Po vypnutí kompresorového agregátu se odvzdušní tlaková hadice přes odlehčovací solenoidový ventil (13). Pojistný ventil (5) zamezuje překročení tlaku ve vzdušníku nad maximální povolenou hodnotu. Vypouštěcím ventilem (7) se vypouští kondenzát ze vzdušníku. Stlačený a čistý vzduch beze stop oleje je ve vzdušníku připraven pro další použití.

Ze vzdušníku je zapotřebí v předepsaných intervalech vypouštět zkondenzovanou kapalinu (viz kap. 19.1).

### Kompresor s membránovým sušičem (Obr. 2)

Agregát kompresoru (1) nasává atmosférický vzduch přes vstupní filtr (8) a stlačený ho dodává chladičem (14) přes filtr (15), zpětný ventil (3) do sušiče (9) a vysušený a čistý do vzdušníku (2). Část vzduchu odchází mimo sušič spolu se zachycenou vlhkostí, což se projeví jako jemné proudění vzduchu kolem tělesa sušiče (9). Kondenzát z filtru se automaticky v intervalech vypouští do láhve pomocí solenoidového ventilu pro odvod kondenzátu (16). Sušič zajistí kontinuální sušení stlačeného vzduchu. Vypouštěcím ventilem (7) se vypouští kondenzát ze vzdušníku v případě kontroly sušení. Stlačený, suchý a čistý vzduch beze stop oleje je ve vzdušníku připraven pro další použití.

Pro optimální provoz membránového sušiče je sušič spojen se vzdušníkem přímo bez zpětného ventilu. Jelikož membránový sušič obsahuje vlákna se selektivní membránou, dochází přes ně k malému úniku vzduchu (přibližně 0,5 bar / 30 min)

Proto postupný pomalý pokles tlaku je přítomen i ve stavu bez odběru vzduchu z kompresoru (ze vzdušníku) a nepředstavuje poruchu.

Tlakovou nádobu není zapotřebí odkalovat.

### Skříňka kompresoru

Skříňka zajišťuje kompaktní zakrytí kompresoru, čímž účinně tlumí hluk a zároveň zajišťuje dostatečnou výměnu chladicího vzduchu. Svým designem je vhodná pro umístění v ordinaci jako součást nábytku. Ventilátor pod agregátem kompresoru zajišťuje chlazení kompresoru, je v provozu současně s motorem kompresoru anebo po zapnutí teplotního spínače při teplotě větší než 40 °C. Po ochlazení prostoru skříňky na méně než 32 °C se ventilátor automaticky vypne.



**Je zakázáno vytvářet překážky pro vstup chladicího vzduchu do skříňky (po obvodu spodní části skříňky) a na výstupu teplého vzduchu v horní zadní části skříňky.**

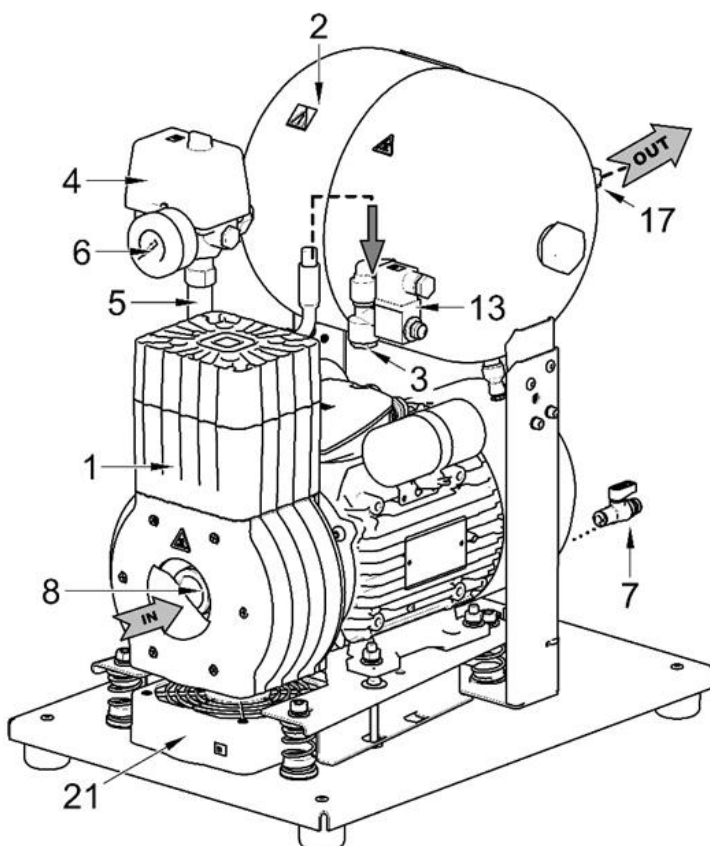


**V případě umístění kompresoru na měkkou podlahu, například koberec, je nutné vytvořit mezeru mezi základnou a podlahou nebo skříňkou a podlahou, například podložení patek tvrdými podložkami kvůli zajištění dostatečného chlazení kompresoru.**

Kompresor v provedení 8-10 bar je vybaven počítadlem hodin. (Obr. 3)

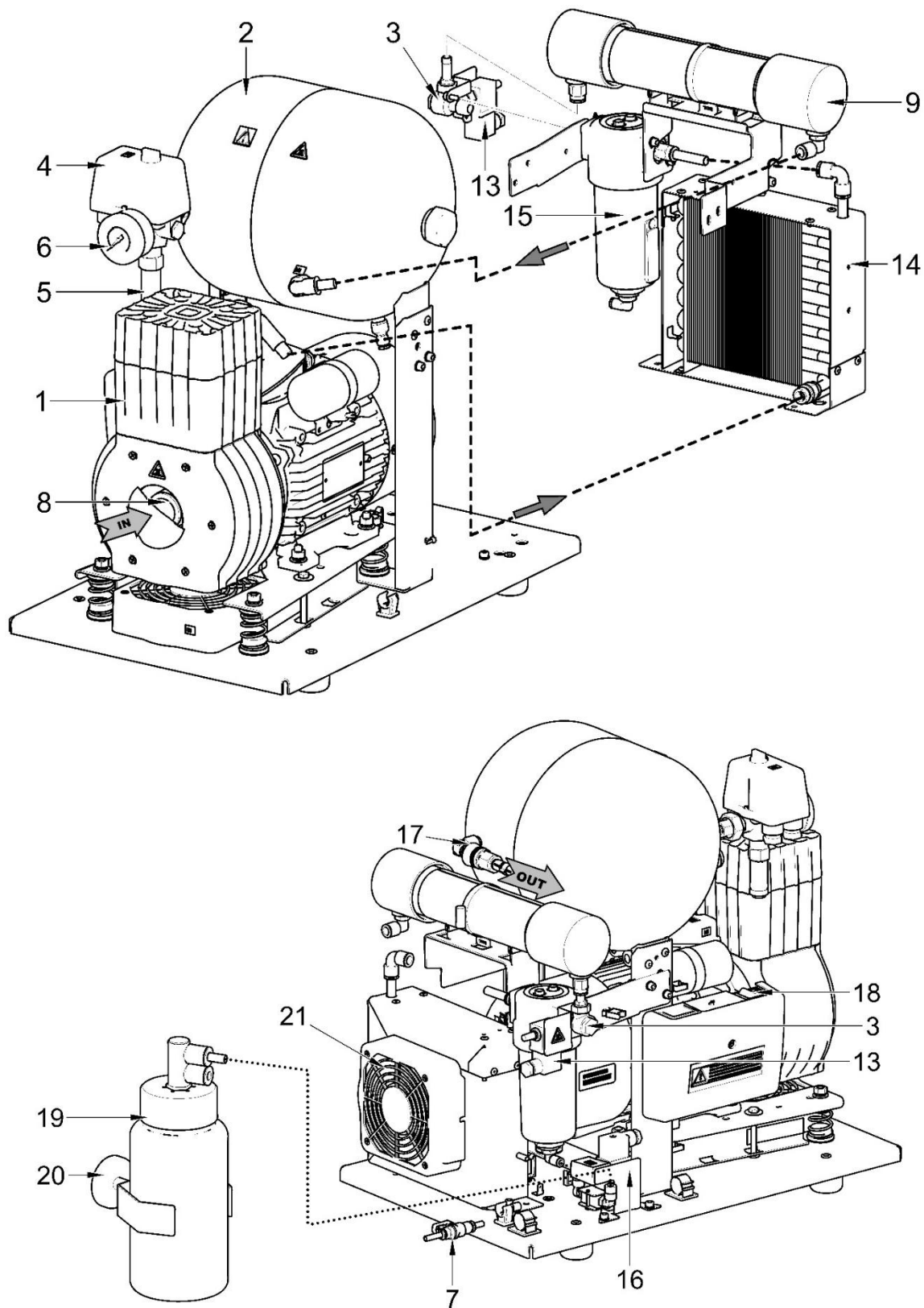
Obr. 1: DK50-10Z - Kompresor

Popis k obrázkům 1–3

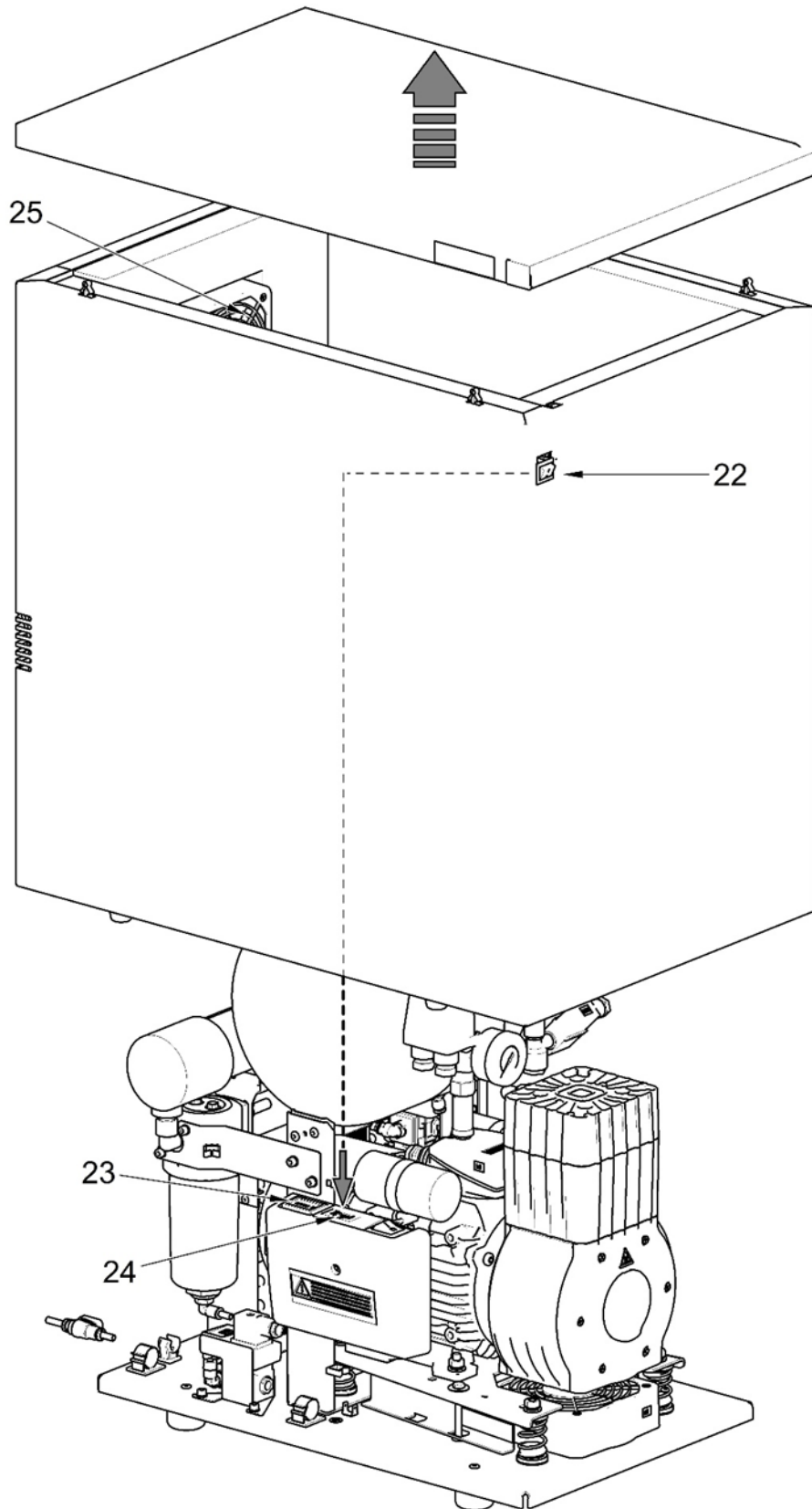


- 1 Agregát kompresoru
- 2 Vzdušník
- 3 Zpětný ventil
- 4 Tlakový spínač
- 5 Pojistný ventil
- 6 Tlakoměr
- 7 Vypouštěcí ventil
- 8 Vstupní filtr
- 9 Sušič
- 10 -
- 11 -
- 12 -
- 13 Solenoidový ventil
- 14 Chladič sušiče
- 15 Filtr
- 16 Solenoidový ventil pro odvod kondenzátu
- 17 Výstup vzduchu
- 18 Jisticí vypínač
- 19 Nádobka
- 20 Magnetický držák
- 21 Ventilátor
- 22 Vypínač
- 23 Počítadlo hodin
- 24 Zásuvka
- 25 Ventilátor skříňky

Obr. 2: DK50-10Z/M - Kompresor se sušičem

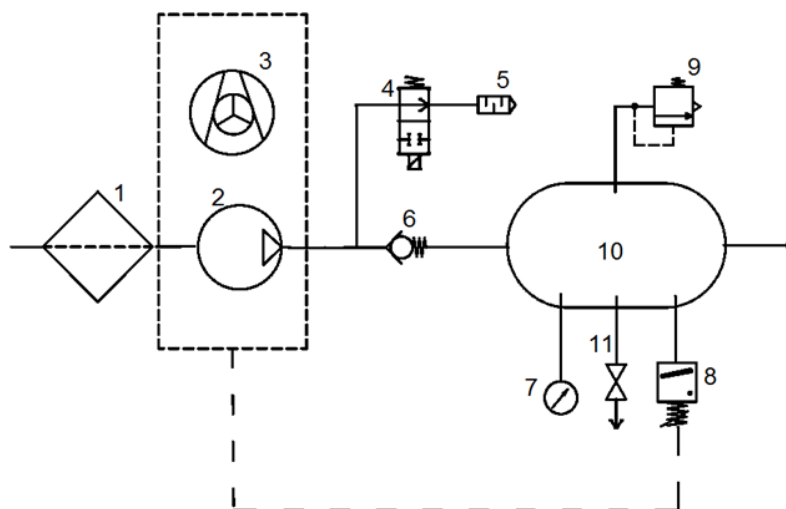


Obr. 3: Kompresor DK50-10S/M (8-10bar)

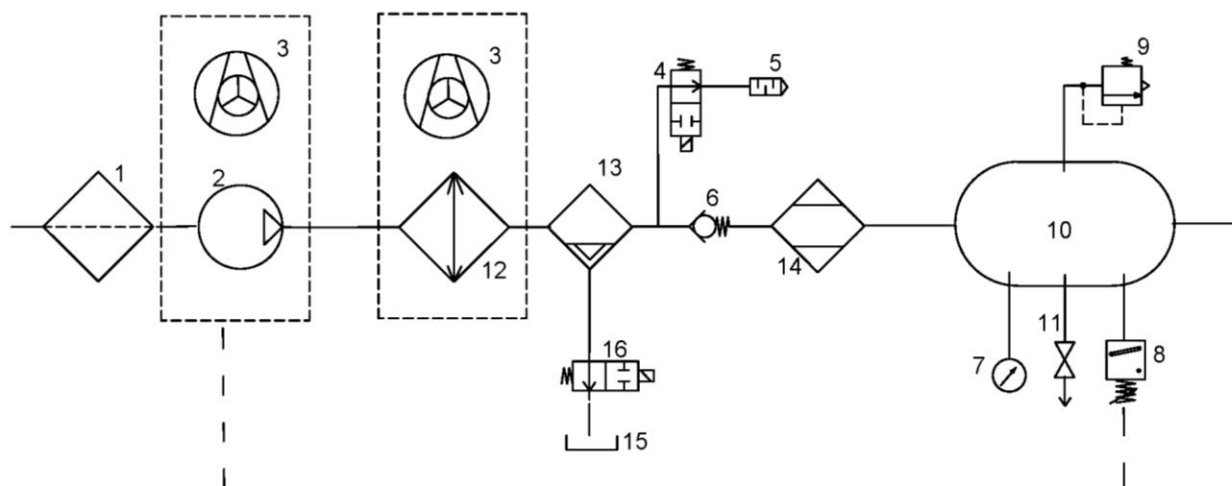


## 10. PNEUMATICKÉ SCHÉMA

## DK50-10Z, DK50-10S



## DK50-10Z/M, DK50-10S/M



## Popis k pneumatickým schémátům

- |                       |   |
|-----------------------|---|
| 1. Vstupní filtr      | 9. Pojistný ventil                          |
| 2. Kompresor          | 10. Vzdušník                                |
| 3. Ventilátor         | 11. Vypouštěcí ventil                       |
| 4. Odlehčovací ventil | 12. Chladič                                 |
| 5. Tlumič hluku       | 13. Koalescenční filtr                      |
| 6. Zpětný ventil      | 14. Membránový sušič                        |
| 7. Tlakoměr           | 15. Nádobka na sběr kondenzátu              |
| 8. Tlakový spínač     | 16. Solenoidový ventil pro odvod kondenzátu |

## INSTALACE

### 11. PODMÍNKY POUŽITÍ

- Kompresor se smí instalovat a provozovat pouze v suchých, dobře větraných a bezprašných prostorách, kde parametry prostředí odpovídají požadavkům uvedeným v kap. 7 Technické údaje. Kompresor se musí instalovat tak, aby byl snadno přístupný pro obsluhu a údržbu a aby byl přístupný výrobní štítek.
- Kompresor musí stát na rovném a dostatečně stabilním podkladu (pozor na hmotnost kompresoru, viz kap. 7 Technické údaje).
- Kompresory nesmí být provozovány ve venkovním ani ve vlhkém nebo mokřém prostředí. Je zakázáno používat zařízení v prostorech s výskytem výbušných plynů, prachů nebo hořlavých kapalin.
- Před zabudováním kompresoru do zdravotnických zařízení musí dodavatel posoudit, zda příslušné médium – vzduch vyhovuje požadavkům daného účelu použití. Pro tyto účely dodržujte technické údaje výrobku. Klasifikaci a hodnocení shody má při zabudování provádět výrobce – dodavatel koncového výrobku.
- Jiné použití nebo použití nad tento rámec se nepovažuje za použití podle určení. Výrobce neručí za škody z toho vyplývající. Riziko nese výhradně provozovatel/uživatel.



**Kompresor smí instalovat a poprvé uvést do provozu pouze kvalifikovaný odborník. Jeho povinností je zaškolení obsluhující personál o používání a údržbě zařízení. Instalaci a zaškolení obsluhy potvrdí zápisem v dokumentu o instalaci zařízení.**



**Před prvním uvedením do provozu je třeba odstranit všechny prvky sloužící k fixaci zařízení během přepravy – jinak hrozí poškození výrobku.**



**Některé části agregátu mohou být horké a během provozu kompresoru se mohou zahřát na nebezpečně vysoké teploty, takže při kontaktu mohou pro obsluhu a materiály představovat nebezpečí. Nebezpečí popálení nebo požáru! Pozor! Horký povrch!**



**Při prvním uvedení do provozu můžete dočasně (na krátkou dobu) cítit charakteristický pach nového výrobku. Tento pach je pouze krátkodobý a nebrání řádnému používání výrobku. Po instalaci zajistěte větrání místnosti.**

### Podmínky okolí při provozu

<i>Teplota:</i>	+5 °C až +40 °C
<i>Max. relativní vlhkost:</i>	70 %
<i>Max. absolutní vlhkost</i>	15 g/m <sup>3</sup> .

## 12. UMÍSTĚNÍ KOMPRESORU



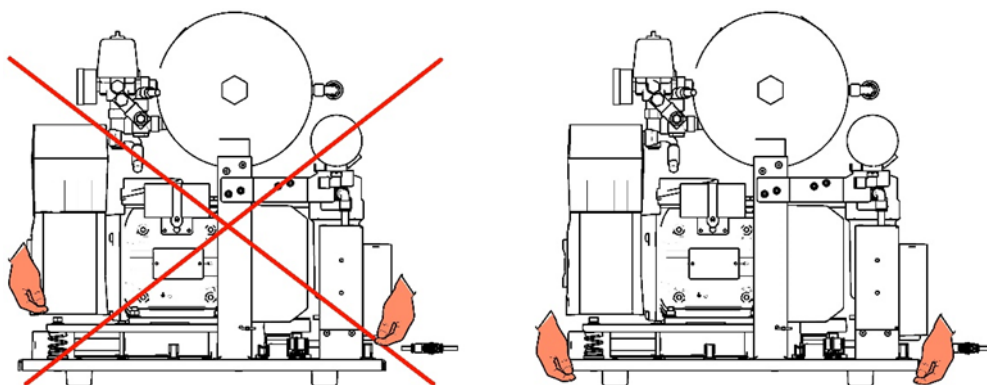
Instalaci výrobku smí provádět pouze vyškolený, kvalifikovaný odborník.

- Vybalte kompresor z obalu.

### 12.1. Manipulace a odjištění

- Ustavte kompresor na místo provozu. (Obr. 4)

Obr. 4

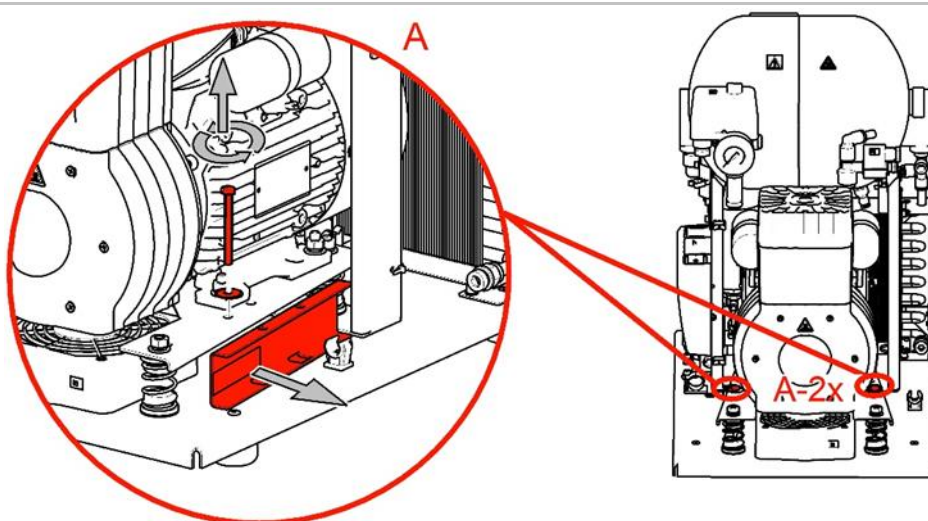


- Odstraňte přepravní zajištění agregátů. (Obr. 5)



Fixační prvky agregátů odstraňte až po ustavení a vyvážení kompresoru na místě konečného uložení!

Obr. 5



## 13. PNEUMATICKÉ PŘIPOJENÍ

### 13.1. Připojení k výstupu stlačeného vzduchu (Obr. 6)

Připojte tlakovou hadici opatřenou na jednom konci posuvnou rychlospojku (1) k výstupu stlačeného vzduchu (2) na kompresoru a hadici připojte k systému rozvodu stlačeného vzduchu nebo přímo k zařízení, v tomto případě ke stomatologickému zařízení.



Obr. 6



U kompresoru ve skříňce vyvedte tlakovou hadici přes otvor v zadní stěně skříňky. (Obr. 7)

### 13.2. Připojení nádoby na kondenzát (Obr. 7)

- U kompresoru se sušičem připojte hadičku k nádobě na kondenzát.
- U kompresoru se sušičem ve skříňce vyvedte hadičku přes otvor v zadní stěně skříňky a připojte k nádobě.



Obr. 7



## 14. ELEKTRICKÉ ZAPOJENÍ

Výrobek se dodává s kabelem zakončeným zástrčkou s ochranným kontaktem.



**Je nezbytně nutné respektovat místní elektrotechnické předpisy. Napětí sítě a kmitočty musí souhlasit s údaji na štítku přístroje.**

- Zásuvka musí být z bezpečnostních důvodů dobře přístupná, aby bylo možné výrobek v případě nebezpečí bezpečně odpojit od sítě.
- Příslušný proudový okruh musí být v rozvodu elektrické energie jištěný minimálně na 16 A.



**Skříň pro kompresor modelu DK50-10S/M 10 bar je vybavena chladičím ventilátorem a vypínačem. Tato skříň musí být připojena pomocí dodané síťové šňůry k příslušnému konektoru na rozvodné desce kompresoru. (Obr. 3)**



**Elektrický kabel se nesmí dotýkat horkých částí kompresoru. Riziko úrazu elektrickým proudem!**



**Elektrický kabel pro připojení k elektrické síti ani vzduchové hadice nesmějí být zlomené.**

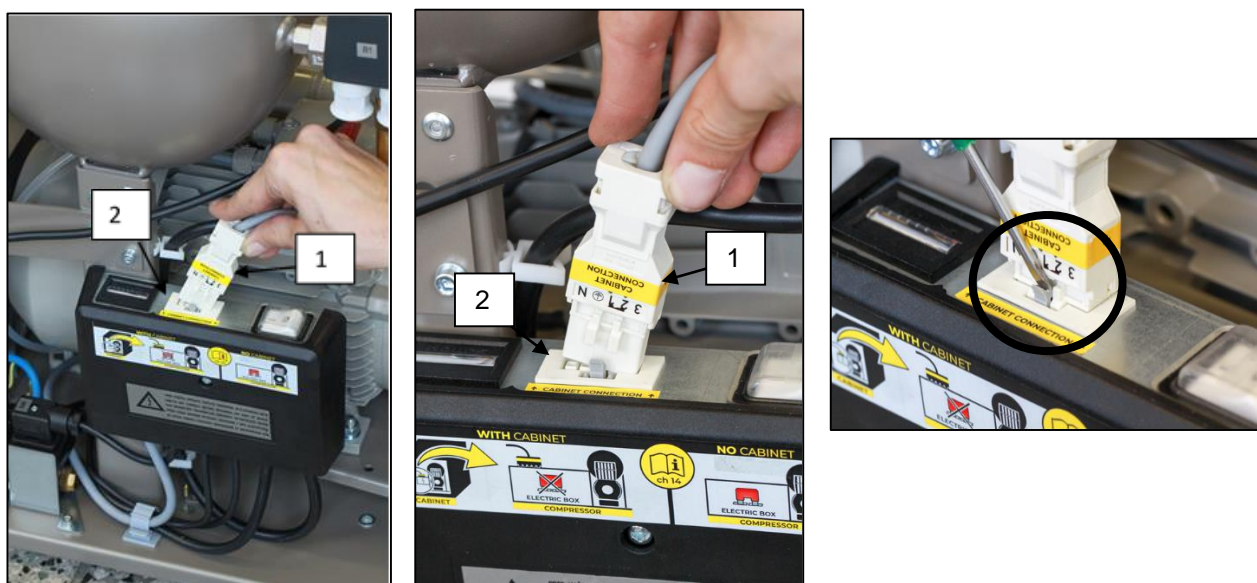
#### 14.1. Zapojení kompresoru bez skříňky

- Síťovou zástrčku zapojte do síťové zásuvky.
- Kompresor je připravený k provozu.

#### 14.2. Zapojení kompresoru ve skříňce

- U kompresoru ve skříňce vyvedte síťový kabel přes otvor v zadní stěně skříňky.
- Skříňku elektricky připojte ke kompresoru pomocí kabelu s konektorem (1) do zásuvky (2). (Obr. 8)
- Skříňku elektricky odpojte od kompresoru vytáhnutím konektoru (1) ze zásuvky s uvolněnou západkou.

Obr. 8



15. SCHÉMA ZAPOJENÍ

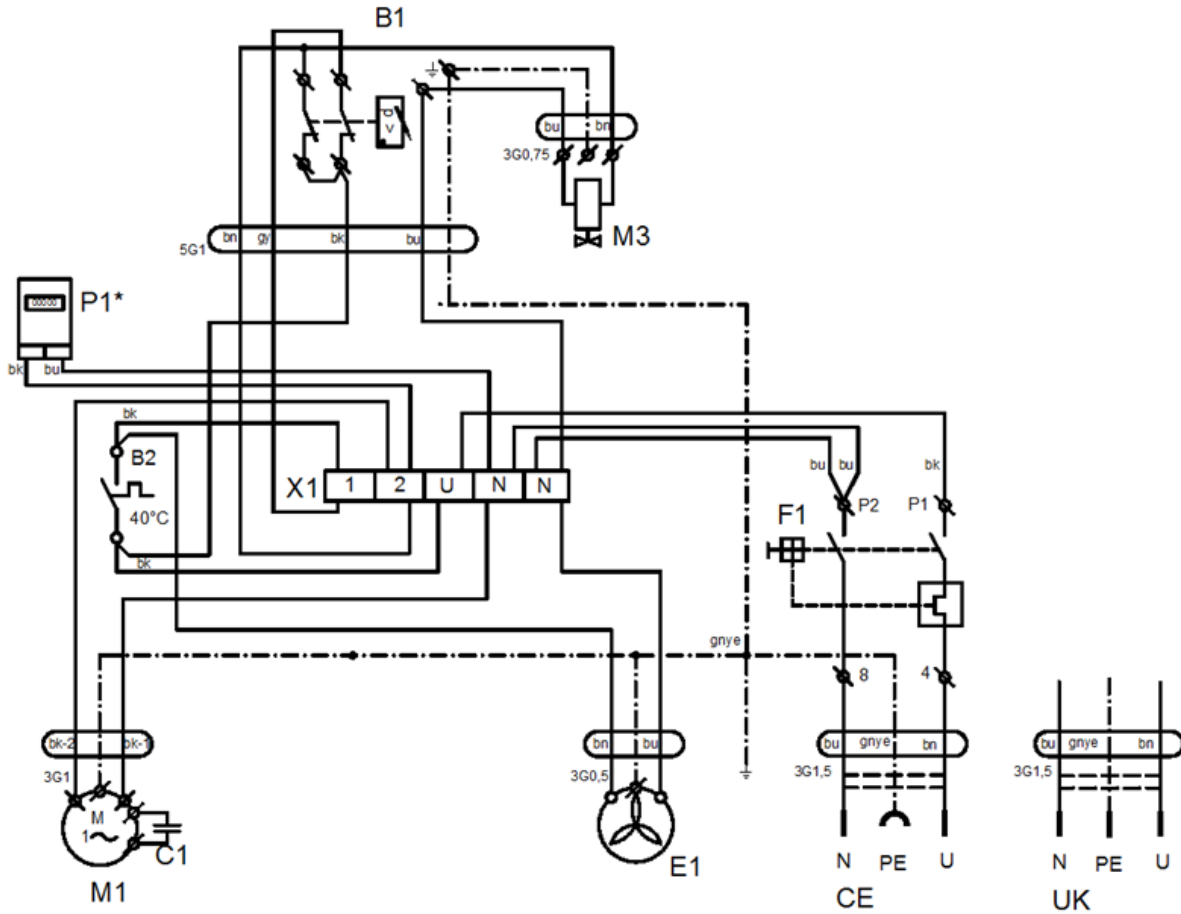
DK50-10Z, DK50-10S

5 - 7 bar, 6 - 8 bar, 8 - 10 bar

1/N/PE 230 V, 50/60 Hz

115 V, 60 Hz

ELEKTRICKÝ PŘEDMET TR.1



P1\* - Počítadlo hodin je součástí jen u provedení 8-10 bar

## DK50-10

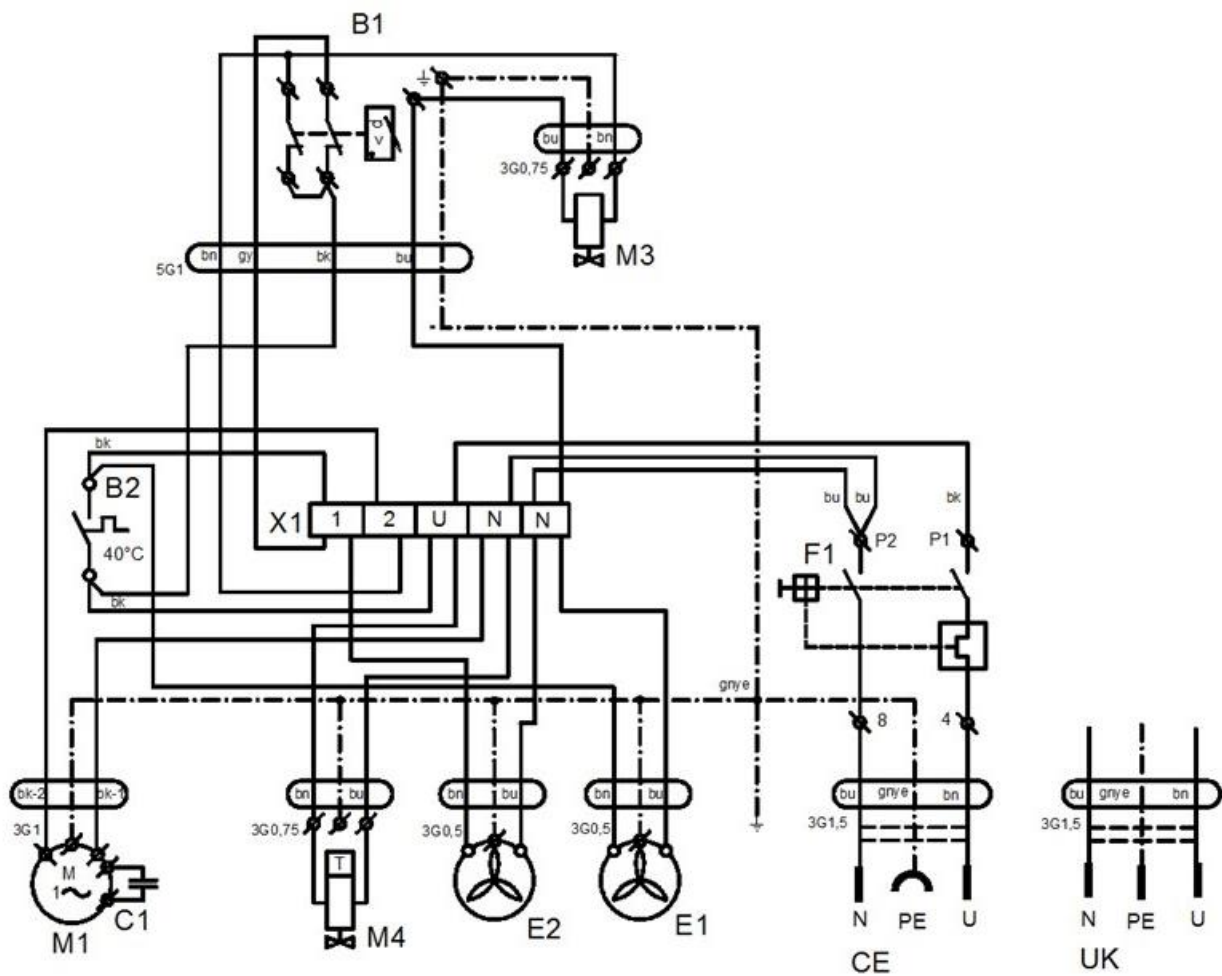
## DK50-10Z/M, DK50-10S/M

5 - 7 bar, 6 - 8 bar

1/N/PE 230V, 50/60Hz

115V, 60Hz

ELEKTRICKÝ PŘEDMET TR.1



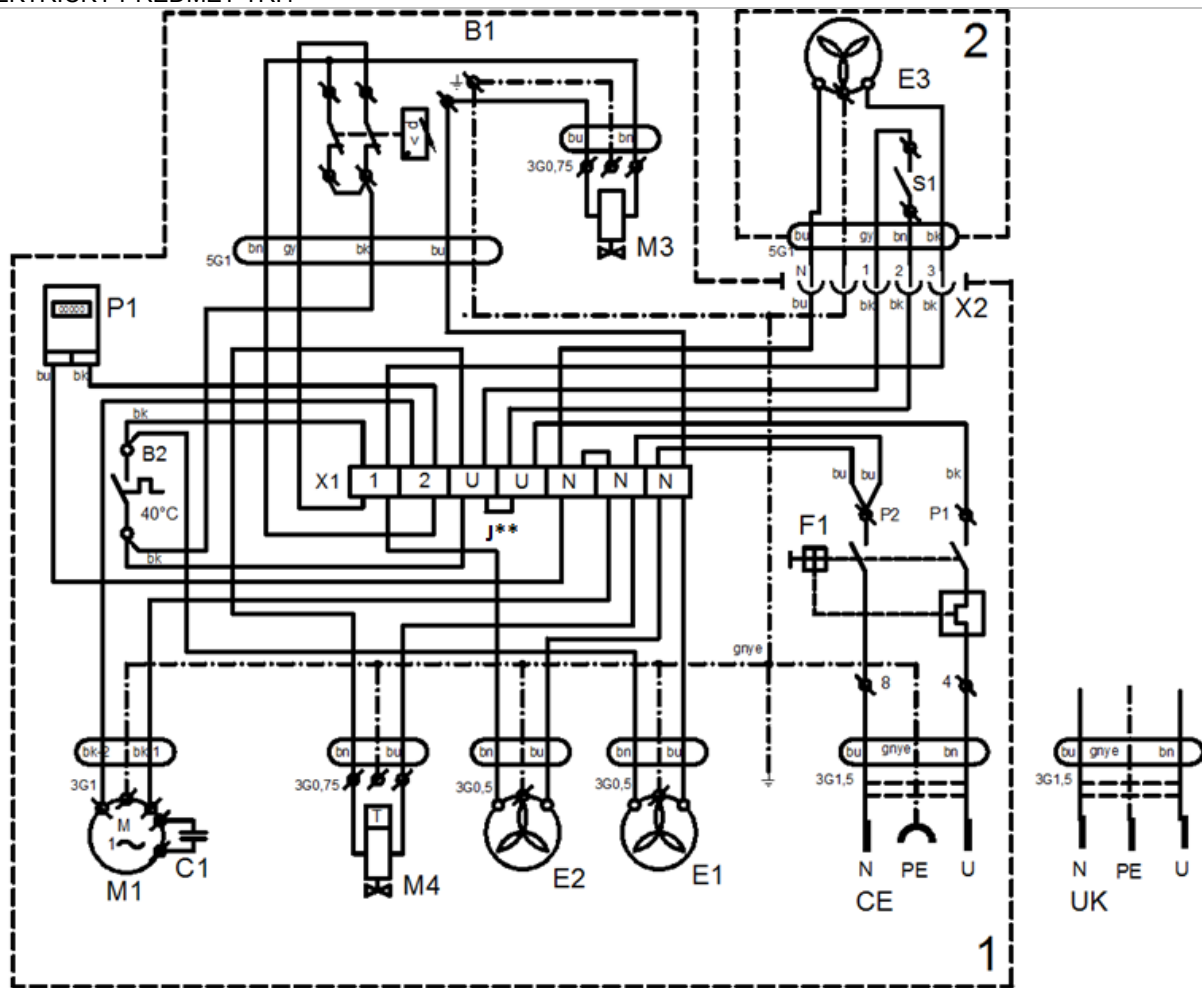
**DK50-10Z/M, DK50-10S/M**

**8 - 10 bar**

1/N1PE 230 V, 50/60 Hz

115 V, 60 Hz

ELEKTRICKÝ PŘEDMET TR.1



J\*\* - Mústek zapojte pouze v případě kompresoru bez skřínky (Kap. 19.10)

1-Kompresor  
2-Skřín

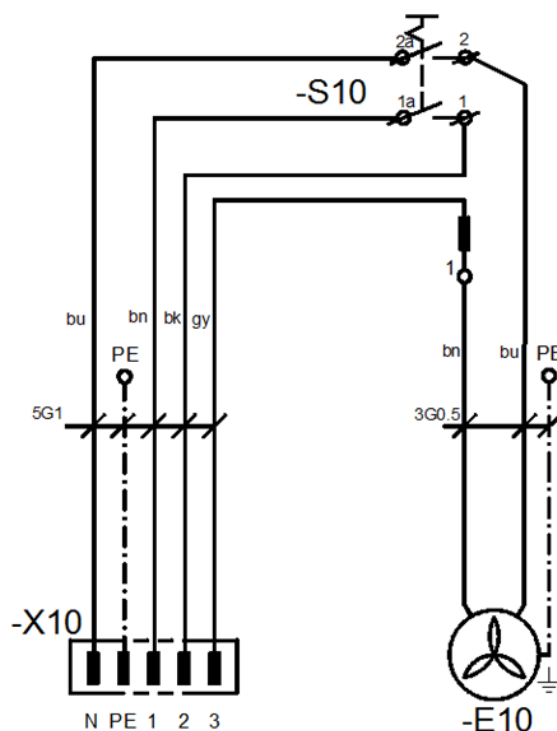
P1\* - Počítadlo hodin je součástí jen u provedení 8-10 bar

## Skříň pro DK50-10 S/M

8 – 10 bar

1/N/PE 230 V, 50/60 Hz

ELEKTRICKÝ PREDMET TR.1



## Popis k elektrickým schémátům

M1	Motor kompresoru	C1	Kondenzátor
E1	Ventilátor kompresoru	B1	Tlakový spínač
E2	Ventilátor sušiče	X1	Svorkovnice
M3	Odlehčovací ventil	F1	Jisticí vypínač
B2	Teplotní spínač	M4	Ventil pro odvod kondenzátu
E3,E10	Ventilátor skříňky	P1	Počítadlo hodin
X10,X2	Konektor	S10	Vypínač

**OBSLUHA**

**ZAŘÍZENÍ SMÍ OBSLUHOVAT JEN VYŠKOLENÝ PERSONÁL!**



**V PŘÍPADĚ NEBEZPEČÍ ODPOJTE KOMPRESOR OD SÍTĚ (VYTÁHNĚTE SÍTOVOU ZÁSTRČKU).**



**POVRCH AGREGÁTU KOMPRESORU JE HORKÝ. PŘI DOTYKU HROZÍ NEBEZPEČÍ POPÁLENÍ.**



**Během delšího provozu kompresoru se zvýší teplota v jeho okolí nad 40 °C, při této teplotě se automaticky zapne chladicí ventilátor. Po ochlazení prostoru pod cca 32 °C se ventilátor opět vypne.**



**Automatické spuštění. Když tlak v tlakové nádrži poklesne na zapínací tlak, kompresor se automaticky zapne. Kompresor se automaticky vypne, když tlak ve vzdušniku dosáhne hodnoty vypínacího tlaku.**



**Je zakázáno měnit pracovní tlaky tlakového spínače nastaveného výrobcem. Činnost kompresoru při nižším pracovním tlaku, než je zapínací tlak, svědčí o vysoké spotřebě vzduchu (viz kap. Poruchy).**



**Požadovaného stupně sušení je možné dosáhnout pouze při dodržení předepsaných provozních podmínek!**



**Při provozu sušiče při tlaku nižším než minimální pracovní tlak se účinnosti sušení sníží a zhorší se dosahovaný rosný bod!**



**PŘI PROVOZU SUŠIČE PŘI TEPLOTĚ OKOLÍ VYŠŠÍ NEŽ MAXIMÁLNÍ PROVOZNÍ TEPLOTA MŮŽE DOJÍT K POŠKOZENÍ SUŠIČE!**

**16. PRVNÍ UVEDENÍ DO PROVOZU**

- Zkontrolujte, zda byly odstraněny všechny fixační prvky použité při přepravě.
- Zkontrolujte správné připojení vedení stlačeného vzduchu.
- Zkontrolujte řádné připojení k elektrické síti.
- Zkontrolujte polohu jisticího vypínače; měl by být v poloze „I“; pokud je jisticí vypínač v poloze „0“, přepněte jej do polohy „I“. (Obr. 9)
- Zkontrolujte, zda je skříň DK50-10S/M (pouze u modelů na 8–10 bar) připojena ke kompresoru pomocí kabelu s konektorem. (Obr. 3)
- U kompresorů DK50-10 S/M (8–10 bar) přepněte vypínač (5) na přední straně skříně do polohy „I“. Následně se rozsvítí zelená kontrolka signalizující, že zařízení je připraveno k provozu. (Obr. 9)



**Kompresor neobsahuje záložní zdroj energie.**

## 17. ZAPNUTÍ KOMPRESORU

(Obr. 9)

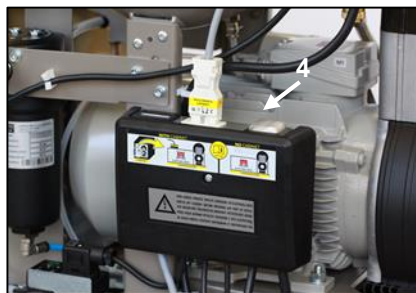
Kompresor (bez skříňky) zapněte na tlakovém spínači (1) otočením přepínače (2) do polohy „I“. Kompresor začne pracovat, naplní vzdušník na vypínací tlak a tlakový spínač vypne kompresor.

Kompresor DK50-10 S/M (8–10 bar) ve skříňce zapněte vypínačem (5) na přední straně skříňky. Kontrolka se rozsvítí zeleně. Kompresor začne pracovat, naplní vzdušník na vypínací tlak a tlakový spínač vypne kompresor.

Následně kompresor pracuje v automatickém režimu, kompresor se zapíná a vypíná podle spotřeby stlačeného vzduchu.

Hodnoty zapínacího a vypínacího tlaku zkontrolujte na tlakoměru (3). Hodnoty mohou být v toleranci  $\pm 10\%$ . Tlak vzduchu ve vzdušníku nesmí překročit přípustný provozní tlak.

Obr. 9



DK50-10S/M 8-10bar



**U kompresoru není dovoleno svévolně měnit tlakové limity tlakového spínače. Tlakový spínač (1) byl nastaven výrobcem a další nastavení zapínacího a vypínacího tlaku může provést pouze kvalifikovaný odborník vyškolený výrobcem.**

**Kompresor** – kompresor při prvním uvedení do provozu naplní vzdušník na vypínací tlak a tlakový spínač kompresor vypne. Následně kompresor pracuje v automatickém režimu, kompresor se zapíná a vypíná podle spotřeby stlačeného vzduchu.

**Kompresor se sušičem** – kompresor pracuje stejně jako v předchozím případě, ale během provozu kompresoru prochází stlačený vzduch sušičem, který odebírá vlhkost ze stlačeného vzduchu.

## 18. VYPNUTÍ KOMPRESORU

(Obr. 9)

Vypnutí kompresoru kvůli servisu nebo z jiné příčiny se provádí na tlakovém spínači (1) otočením přepínače (2) do polohy „0“ a **vytáhnutím síťové zástrčky ze zásuvky**. Kompresor se tím odpojí od napájecí sítě. Snižte tlak ve vzdušníku na nulu otevřením vypouštěcího ventilu. (Obr. 10)

## ÚDRŽBA

### 19. ÚDRŽBA VÝROBKU

#### Upozornění!

Provozovatel je povinen zajistit provádění opakovaných zkoušek zařízení minimálně 1× za 24 měsíců (EN 62353) nebo v intervalech, které určují příslušné národní právní předpisy. O výsledcích zkoušek musí být proveden záznam (např. podle EN 62353, příloha G), a to s uvedením metod měření.

Zařízení je zkonstruováno a vyrobeno tak, aby jeho údržba byla minimální. K zajištění řádné a spolehlivé činnosti kompresoru je však zapotřebí provádět úkony dle následujícího popisu.



**Před zahájením údržby kompresoru je nutné zkontrolovat, zda je možné kompresor odpojit od spotřebiče, aby tím neohrozilo riziko poškození zdraví nebo ohrožení života osoby používající daný spotřebič, případně jiné materiální škody!**



**Během provozu kompresoru a těsně po jeho ukončení mají části agregátu (hlava, válec, tlaková hadice) vysokou teplotu – nedotýkejte se těchto částí!**



**Oprávněné práce, které přesahují rámec běžné údržby, smí provádět pouze kvalifikovaný odborník nebo pracovníci zákaznického servisu výrobce. Používejte pouze náhradní díly a příslušenství předepsané výrobcem.**



**PŘED VYPOUŠTĚNÍM STLAČENÉHO VZDUCHU Z PNEUMATICKÉHO ROZVODU (VZDUŠNÍKU) JE NUTNÉ CHRÁNIT SI ZRAK OCHRANNÝMI BRÝLEMI.**

Kompresor v provedení 8-10 bar je vybaven počítadlem hodin (Obr. 3)

Níže uvedené úkony může provádět pouze zaškolený pracovník dále uvedeným způsobem:



**PŘED ZAHÁJENÍM NÁSLEDUJÍCÍCH ÚDRŽBÁŘSKÝCH PRACÍ JE NUTNÉ VYPNOUT KOMPRESOR, ODPOJIT JEJ OD SÍTĚ (VYTÁHNOUT SÍTOVOU ZÁSTRČKU) A VYPUSTIT STLAČENÝ VZDUCH ZE VZDUŠNÍKU.**



**Před údržbou, servisem výrobku nebo připojením/odpojením přívodu tlakového vzduchu nechte zařízení vychladnout!**



**Uzemňovací vodič odpojený během servisního zásahu je nutné po ukončení prací znovu připojit na původní místo.**

V případě servisu nebo údržby je možné vysunout kompresor ze skříňky vytáhnutím před skříňku (na kolečkách, pokud to dovolí délka šňůry mezi kompresorem a skříňkou). Viz též kap. 19.). Po jeho vytáhnutí je možné provést potřebnou údržbu nebo servis.

V případě odpojení šňůry mezi kompresorem a skříňkou (vytáhnutím vidlice konektoru, kap. 14.2.) není kompresor funkční. Aby byl kompresor funkční, musíte postupovat podle kap. 14.2 nebo 19.10. nebo 19.11.

## 19.1. Intervaly údržby

Časový interval <sup>e)</sup>	50 Hz	1 x denně	1 x týdně	1 x za rok	1 x za 2 roky	2000 h	4000 h	6000 h	8000 h	10000 h	12000 h	Kap.	Sada náhradních dílů	Provede
	60 Hz					1600 h	3200 h	4800 h	6400 h	8000 h	9600 h			
Kontrola činnosti výrobu		x										19.2	-	obsluha
Vypustíte kondenzát ze vzdušníku <sup>b)</sup> Při vysoké RH) – Vylijte zachycený kondenzát z láhve <sup>d)</sup>		x										19.5	-	obsluha
Vypustíte kondenzát ze vzdušníku <sup>b)</sup> - Při běžné RH) <sup>b)</sup>			x									19.5	-	obsluha
Kontrola funkčnosti výrobu			x									9	-	obsluha
K Kontrola těsnosti spojů a kontrolní prohlídka zařízení				x								19.3	-	kvalif. odborník
Kontrola elektrických spojů				x								19.4	-	kvalif. odborník
Kontrola chladiče a ventilátoru				x								19.9	-	kvalif. odborník
Výměna filtrační vložky filtru sušiče				x								19.8	025200304-000	kvalif. odborník
Kontrola pojistného ventilu				x								19.6	-	kvalif. odborník
Výměna vstupního filtru agregátu <sup>a)</sup>					x		x		x		x	19.7	025200126-000	kvalif. odborník
Provedení „Opakované zkoušky“ podle ČSN EN 62353					x							19.		kvalif. odborník

<sup>a)</sup> Platí údaj v hodinách; pokud není dostupný, pak platí údaj v letech.

<sup>b)</sup> Platí pouze pro kompresor bez sušiče.

<sup>c)</sup> U provedení kompresoru 60 Hz se časový interval v hodinách zkrátí o 20 %

(2000h./1600h., 4000h./3200h., 6000h./4800h., 8000h./6400h., 10000h./8000h., 12000h./9600h.)

<sup>d)</sup> Platí jen pro kompresor se sušičem

### 19.2. Kontrola činnosti

- Kontrola stavu agregátů – agregáty musí mít rovnoměrný chod, bez vibrací, přiměřenou hlučnost. V případě negativního výsledku vyhledejte příčinu stavu nebo zavolejte servis
- Kontrola činnosti ventilátorů (pohledem) – ventilátory musí být v provozu v době, kdy jsou v provozu agregáty. V případě negativního výsledku vyhledejte příčinu stavu nebo zavolejte servis
- Kontrola neporušenosti přívodního kabelu, pneumatických hadic. Poškozené díly vyměňte nebo zavolejte servis.
- Kontrola teploty okolí – teplota okolí musí být nižší než přípustná teplota (40 °C). V případě vyšší teploty zlepšete chlazení v místnosti.
- U kompresoru se sušičem vzduchu - na láhvi pro kondenzát uvolněte zátku a vylijte kondenzát.

### 19.3. Kontrola těsnosti pneumatických spojů a kontrolní prohlídka zařízení

#### Kontrola těsnosti:

- Kontrolu těsnosti pneumatických rozvodů kompresoru provádějte během provozu – tlakování kompresoru.
- Analyzátozem netěsností nebo mýdlovou vodou zkontrolujte těsnost spojů. Pokud bude indikována netěsnost, musíte spoj dotáhnout, případně utěsnit.

#### Prohlídka zařízení:

- Zkontrolujte stav agregátu kompresoru - rovnoměrnost chodu, přiměřená hlučnost.
- Kontrola činnosti ventilátorů - ventilátory musí být v činnosti během předepsaných provozních cyklů kompresoru.
- Kontrola funkčnosti teplotního spínače (B2) – teplotní spínač zahřejte na teplotu vyšší než 40 °C (např. horkovzdušnou pistolí – pozor, nepůsobte vysokou teplotou na plastové díly v okolí, může dojít k deformaci plastů). Po dosažení teploty 40 °C se uvede do provozu ventilátor EV1 (i EV2, v případě kompresoru se sušičem) – kompresor musí být pod napětím.
- Kontrola stavu filtrů – filtry musí být bez poškození a přiměřeně čisté
- Kontrola stavu vlastního agregátu, zda nejsou nečistoty v klikové skříni, příp. vůle na klikovém hřídeli

V případě nalezení závady vyměňte chybné součástky.

### 19.4. Kontrola elektrických spojů



**Kontrolu elektrických spojů provádějte až po odpojení síťového napětí!**

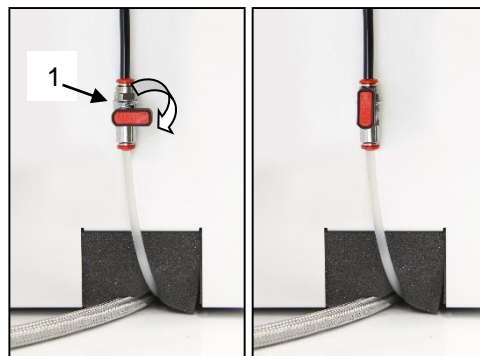
#### Kontrola:

- Zkontrolujte mechanickou funkčnost hlavního vypínače.
- Zkontrolujte neporušenost přívodního kabelu, připojení vodičů.
- Proveďte vizuální kontrolu připojení kabelů ke svorkovnici.
- Zkontrolujte všechny šroubové spoje ochranného zelenožlutého vodiče PE.

### 19.5. Vypuštění kondenzátu

Kompresory (Obr. 10)

Během pravidelného používání doporučujeme vypouštět kondenzát z tlakové nádoby. Vypněte hlavní vypínač kompresoru a snižte tlak na max. 1 bar, například odvětráním přes připojené zařízení. Umístěte hadici s vypouštěcím ventilem do předem připravené nádoby a otevřete vypouštěcí ventil (1), abyste z nádoby vypustili kondenzát.



**Vypouštěcí ventil otvírejte opatrně a postupně. Přílišné otevření vypouštěcího ventilu je doprovázeno výrazným akustickým projevem a nekontrolovaným vystříknutím nahromaděného kondenzátu.**

Kompresor bez sušiče je možné vybavit Automatickým odvodem kondenzátu (AOK), který zajistí odvádění kondenzátu bez zásahu obsluhy (viz kap. 8.2.).

**Kompresory se sušičem vzduchu (Obr. 11)**

U kompresoru se sušičem vzduchu se kondenzát automaticky vypouští do láhve. Láhev je zapotřebí pravidelně vylévat.



Obr. 11



**Sledujte naplnění nádoby po rysku (podle objemu 1l/2l nádoby) a vyprázdněte nejpozději jednou za den. V případě nedodržení intervalu vylévání nádoby může dojít k přetečení nádoby.**



**Riziko uklouznutí na vlhké podlaze v případě přetečení nádoby.**



**PŘED NÁSLEDUJÍCÍMI KONTROLAMI MUSÍTE:**

**U kompresorů DK50-10S a DK50-10S/M se skříňovým provedením – odstraňte / zvedněte box. U kompresoru modelu DK50-10S/M 10 bar se skříňovým provedením – demontujte kryt skříně, odpojte skříň od konektoru kompresoru a odstraňte / zvedněte box.**

### 19.6. Kontrola pojistného ventilu

(Obr. 12)

Při prvním uvedení kompresoru do provozu je třeba zkontrolovat správnou funkci pojistného ventilu. Šroub (2) pojistného ventilu (1) otočte o několik otáček doleva, dokud nedojde k odfouknutí vzduchu přes pojistný ventil. Pojistný ventil nechte jen krátce volně odfouknout. Šroub (2) otáčejte doprava až na doraz, ventil nyní musí být opět zavřený.



Obr. 12



Pojistný ventil se nesmí používat k odtlačování tlakové nádrže. Mohlo by dojít k narušení funkce pojistného ventilu. Ten je od výrobce nastaven na přípustný maximální tlak, je přezkoušen a označen. Přestavování je zakázáno!



**POZOR! STLAČENÝ VZDUCH JE NEBEZPEČNÝ KVŮLI RIZIKU POŠKOZENÍ ZRAKU! NEBEZPEČÍ POŠKOZENÍ ZRAKU.**

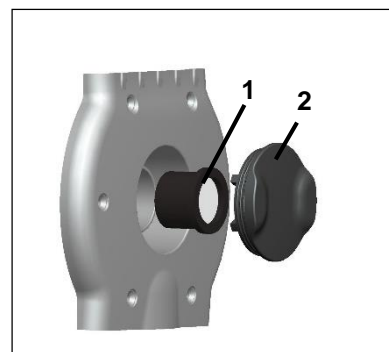
### 19.7. Výměna vstupního filtru

(Obr. 13)

Ve víku klikové skříně kompresoru se nachází vstupní filtr (1).

Výměna vstupního filtru:

- Rukou vytáhněte gumovou zátku (2).
- Vyjměte použitý a znečištěný filtr (1).
- Vložte nový filtr a nasadte gumovou zátku.

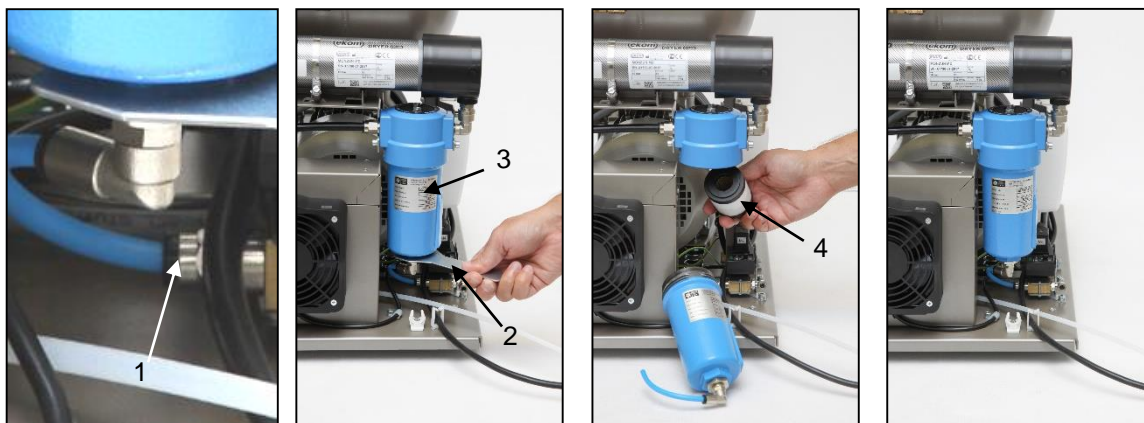


Obr. 13

### 19.8. Výměna filtrační vložky ve filtru

(Obr. 14)

- Vytáhněte hadičku (1) z rychlospojky.
- Klíčem (2) povolte nádobku filtru (3) a odmontujte ji.
- Filtrační vložku (4) odmontujte jejím vytažením směrem dolů.
- Vložte novou vložku.
- Nasadte nádobku filtru.
- Klíčem jemně dotáhněte nádobku filtru.
- Osadte hadičku zpět do rychlospojky.



Obr. 14

### 19.9. Kontrola chladiče a ventilátoru (Obr. 2)

Aby bylo sušení účinné, udržujte celé zařízení a zejména ventilátor kompresoru, ventilátor chladiče (21) a chladič (14) v čistotě. Odsajte nebo stlačeným vzduchem odstraňte usazený prach z povrchu chladicích žebér a ventilátorů.

### 19.10. Postup při zapojení kompresoru odpojeného od skříňky



**Před každou prací na údržbě nebo opravě kompresor vypněte a odpojte ze sítě (vytáhněte síťovou zástrčku).**

Kompresor (bez skříňky) potřebuje pro správnou činnost, aby propojka/můstek (jumper) byly osazeny vždy ve svorkovnici (obr. 15, Poz. B). Nahrazuje zapnutí vypínače umístěného ve skříňce.



**Pokud není ve svorkovnici kompresoru (nepřipojeného ke skříňce) osazená propojka/můstek, kompresor nebude funkční!**

V případě vyjmutí kompresoru ze skříňky a odpojení šňůry mezi kompresorem a skříňkou (vytáhnutím vidlice konektoru) není kompresor funkční. Proto je nejdříve nutné vytvořit přepoj na svorkovnici propojkou/můstkem (jumper) (nahradí funkci vypínače na skříňce) (Obr. 15).

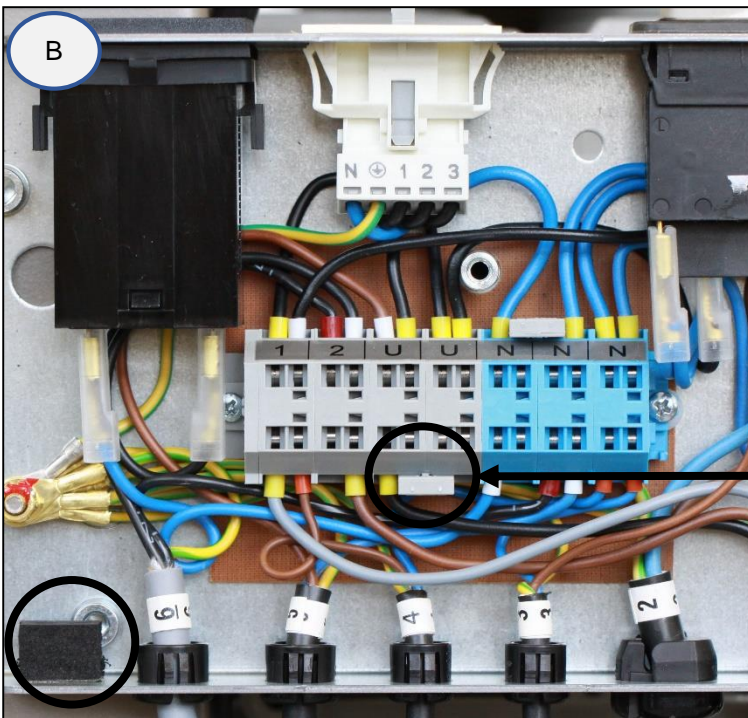
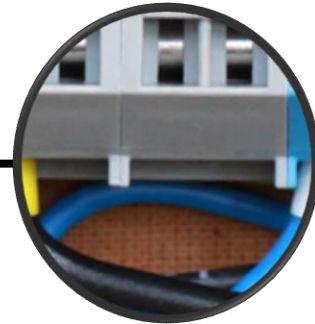
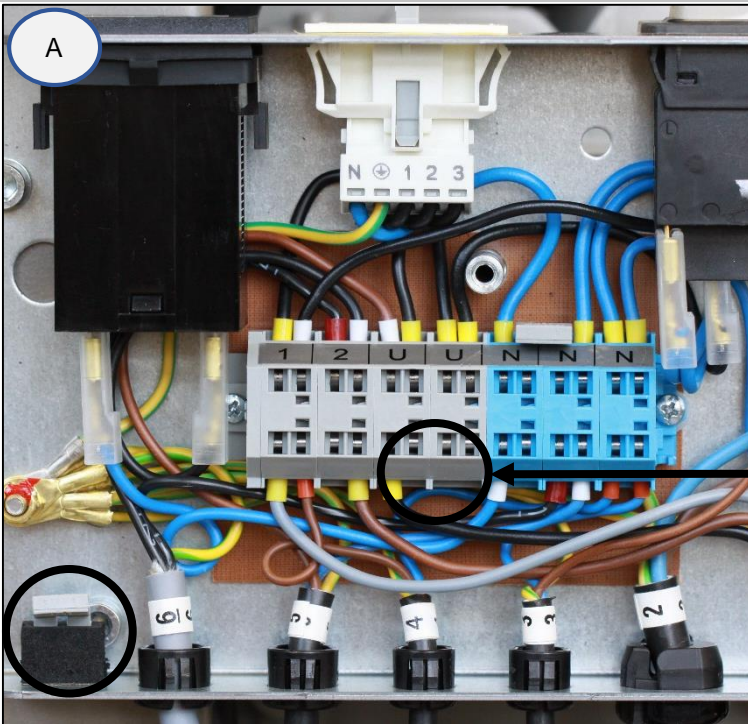
**POSTUP** (Obr. 15):

#### **Montáž propojky/můstku** (postup A-B)

- Odpojte výrobek z elektrické sítě vytáhnutím vidlice ze zásuvky.
- Demontujte kryt elektropanelu (na kompresoru).
- Můstek není ve svorkovnici – A.
- Zasuňte můstek do svorkovnice – B.
- Namontujte kryt elektropanelu zpět.
- Připojte výrobek do elektrické sítě.
- Kompresor uvedete do činnosti zapnutím vypínače na tlakovém spínači.

Kompresor – při činnosti mimo skříňku **MUSÍ** být vytvořeno elektrické spojení propojkou / můstkem (obr.15, Poz. B).

Obr. 15



230V

### 19.11. Postup při zapojení kompresoru k nové skříňce



**Před každou prací na údržbě nebo opravě kompresor vypněte a odpojte ze sítě (vytáhněte síťovou zástrčku).**

Kompresor ve skříňce potřebuje pro správnou činnost, aby propojka/můstek (jumper) nebyly osazeny ve svorkovnici (obr. 15, Poz. A). Vypínač umístěný ve skříňce zapíná a vypíná celý výrobek včetně kompresoru.



**Pokud je ve svorkovnici kompresoru připojeného ke skříňce osazená propojka/můstek, vypínač na skříňce kompresoru nebude funkční!**

Pokud ke kompresoru, který předtím nefungoval samostatně (kompresor bez skříňky), chceme připojit novou skříňku, potom je nutné zrušit propojení ve svorkovnici kompresoru provedením dále uvedeného postupu. (Obr. 15,). (Viz také kap. 14.1. a 14.2.).

**POSTUP** (Obr. 15):

**Demontáž propojky/mústku** (postup B-A):

- Odpojte výrobek z elektrické sítě vytáhnutím vidlice ze zásuvky.
- Demontujte kryt elektropanelu (na kompresoru).
- Můstek je ve svorkovnici – B.
- Vyměňte můstek ze svorkovnice – A.
- Namontujte kryt elektropanelu zpět.
- Zasuňte kompresor do skříňky
- Skříňku připojte ke kompresoru šňůrou s konektorem (1) do zásuvky (2). (Obr. 8)
- Připojte výrobek do elektrické sítě
- Kompresor uvedete do činnosti zapnutím vypínače na tlakovém spínači a vypínače (5) na skříňce (obr 9)

Kompresor se skříňkou – při činnosti ve skříňce **NESMÍ** být připojen do elektřiny. (Obr. 15, Poz. A)

**Poznámka: Můstek, který není osazený ve svorkovnici, je nutné uschovat pro případ použití kompresoru bez skříňky nebo pro případ servisního zásahu na určené místo při elektropanelu.**

### 19.12. Čistění a dezinfekce vnějších ploch výrobku

Na čistění a dezinfekci vnějších ploch výrobku použijte neutrální prostředky.



**Používání agresivních čisticích a dezinfekčních prostředků obsahujících alkohol a chloridy může vést k poškození povrchu a změně barvy výrobku.**

**VYHLEDÁVÁNÍ PORUCH A JEJICH ODSTRANĚNÍ**

**Před zásahem do zařízení je třeba snížit tlak vzduchu ve vzdušníku na nulu a odpojit zařízení od elektrické sítě.**

Aby se zachovala trvalá účinnost sušení, je nutné dodržovat celé zařízení a zejména ventilátor chladiče v čistotě – občas z povrchu chladicích žeborů odstraňte/vyfokejte usazený prach.

Činnosti související s odstraňo

váním poruch smí provádět pouze kvalifikovaný odborník servisní služby.

PORUCHA	MOŽNÁ PŘÍČINA	ŘEŠENÍ
Kompresor se nespustí.	V tlakovém spínači není napětí  Přerušené vinutí motoru, poškozená tepelná ochrana Vadný kondenzátor Zadřený píst nebo jiná rotační část Nespíná tlakový spínač	Zkontrolujte napětí v zásuvce Zkontrolujte stav jističe - uveďte ho do stavu zapnuto „I“ Vodič uvolněný ze svorky - opravte ho Kontrola elektrického kabelu – vadný kabel vyměňte Vyměňte motor, resp. přeвиňte vinutí  Vyměňte kondenzátor Vyměňte poškozené části Zkontrolujte funkci tlakového spínače
Kompresor spíná často.	Únik vzduchu z pneumatického rozvodu Netěsnost zpětného ventilu (ZV)  V tlakové nádobě je větší množství zkondenzované kapaliny Nízký výkon kompresoru	Zkontrolujte pneumatický rozvod – uvolněný spoj utěsněte Vyčistěte SV, vyměňte těsnění, vyměňte SV Vypusťte zkondenzovanou kapalinu  Zkontrolujte čas naplnění vzdušníku
Nízký tlak ve vzdušníku (kompresor je v provozu trvale)	Vysoká spotřeba vzduchu spotřebičem, netěsnosti v pneumatickém rozvodu, nízký výkon agregátu Porucha agregátu Porucha sušiče	Snížení spotřeby vzduchu Použití výkonnějšího kompresoru Kontrola pneumatického rozvodu – uvolněné spoje utěsnit Oprava / výměna agregátu Oprava / výměna agregátu Výměna sušiče
Chod kompresoru se prodlužuje.	Únik vzduchu z pneumatického rozvodu Opotřebený pístní kroužek Znečištěný vstupní filtr Nesprávná funkce solenoidového ventilu	Zkontrolujte pneumatický rozvod – uvolněný spoj utěsněte Vyměňte opotřebený pístní kroužek Vyměňte znečištěný filtr Opravte nebo vyměňte ventil nebo cívku
Kompresor je hlučný (klepání, kovové zvuky).	Poškozené ložisko pístu, ojnice, ložisko motoru Uvolněný (prasklý) tlumicí prvek (pružina)	Vyměňte poškozené ložisko  Vyměňte poškozenou pružinu
Sušič nesusí (ve vzduchu se objevuje kondenzát) *	Nefunkční ventilátor chladiče  Poškozený sušič  Automatický odvod kondenzátu není funkční	Vyměňte ventilátor Zkontrolujte přívod elektrické energie  Vyměňte sušič  Vyčistěte/vyměňte

)\* Při poruše sušiče je nutné důkladně vyčistit vnitřní povrch vzdušníku a dokonale odstranit zkondenzovanou kapalinu.

**Zkontrolujte vlhkost vystupujícího vzduchu ze vzdušníku (viz kap. 7 – Technické údaje), abyste zajistili ochranu připojeného zařízení před poškozením!**

## 20. INFORMACE O SERVISU

Záruční a pozáruční opravy zajišťuje výrobce nebo firmy a servisní pracovníci určení dodavatelem.

*Upozornění!*

Výrobce si vyhrazuje právo provést u výrobku změny, které však neovlivní podstatné vlastnosti přístroje.

## 21. ODSTAVENÍ Z PROVOZU

V případě, že se kompresor nebude delší dobu používat, doporučujeme vypustit kondenzát z tlakové nádrže a kompresor uvést do provozu asi na 10 minut s otevřeným ventilem pro vypuštění kondenzátu (1) (Obr. 10). Potom kompresor vypněte vypínačem (2) na tlakovém spínači (1) (obr. 9), zavřete ventil pro vypouštění kondenzátu a odpojte zařízení od elektrické sítě.

## 22. LIKVIDACE PŘÍSTROJE

- Odpojte zařízení od elektrické sítě.
- Vypusťte tlak vzduchu v tlakové nádrži otevřením ventilu pro vypouštění kondenzátu (1) (Obr. 10).
- Zařízení zlikvidujte podle místně platných předpisů.
- Tříděním a likvidací odpadu pověřte specializovanou firmu.
- Části výrobku po skončení jeho životnosti nemají negativní vliv na životní prostředí.

**ANNEX / ANHANG/ ANNEXE / ПРИЛОЖЕНИЕ / ZAŁĄCZNIK / PRÍLOHA / PŘÍLOHA****23. INSTALLATION RECORD**

1. Product: (model) DK50-10Z            DK50-10S DK50-10Z/M        DK50-10S/M		2. Serial number:	
3.1. User's name:			
3.2. Address of installation:			
4. Equipment connected to the compressor:			
<b>5. Installation / Commissioning:</b>		<b>6. Contents of operator training:</b>	
A. Product completeness check **	Y	A. Description of the product and functions**	Y
	N		N
B. Documentation completeness check **	Y	B. Product operation: turning on/off, controls, control procedures, data on the display panel, alarms, operation in alarm conditions**	Y
	N		N
C. Installation/connection to equipment **	Y	C. Product maintenance: maintenance intervals, maintenance procedure, service intervals, operating activities**	Y
	N		N
D. Functional test **	Y	D. Safety measures, warnings – their meaning and compliance **	Y
	N		N
<b>Notes:</b>			
<b>7. Operator instructed on safety measures, operations and maintenance:</b>			
Name :		Signature:	
Name:		Signature:	
Name :		Signature:	
<b>8. Installation and instruction performed by –</b> First name/Last name		Signature:	
Company:		Address:	
Phone:			
Email:		Date:	
<b>9. Distributor:</b>			
Company:		Address:	
Contact person:			
Phone:		Email: :	

\*\* mark with an "X" in points 5 and 6 (Y - yes /N - no). Enter any observations from points 5 and 6 into the "Notes" section

## 23. INSTALLATIONSprotokoll

1. Produkt: (Modell) DK50-10Z                      DK50-10S DK50-10Z/M                  DK50-10S/M		2. Seriennummer:	
3.1. Benutzername:			
3.2. Aufstellungsort:			
4. An den Kompressor angeschlossene Geräte:			
5. Installation / Inbetriebnahme:		6. Inhalte der Bedienschulung:	
A. Vollständigkeitsprüfung des Produkts**	J	A. Beschreibung des Produkts und der Funktionen**	J
	N		N
B. Dokumentation der Vollständigkeitsprüfung**	J	B. Produktbetrieb: Ein-/Ausschalten, Steuerungen, Steuerungsabläufe, Daten auf dem Display, Alarme, Betrieb bei Alarmzustand**	J
	N		N
C. Installation/Anschluss an Gerät**	J	C. Produktwartung: Wartungsintervalle, Wartungsablauf, Serviceintervalle, Betriebsabläufe**	J
	N		N
D. Funktionstest**	J	D. Sicherheitsmaßnahmen, Warnmeldungen – Bedeutung und Befolgung**	J
	N		N
Hinweise:			
7. Der Bediener wurde über die Sicherheitsmaßnahmen, über Abläufe und Wartung instruiert:			
Name:		Unterschrift:	
Name:		Unterschrift:	
Name:		Unterschrift:	
8 Installation und Anweisung vorgenommen durch – Vorname/Nachname		Unterschrift:	
Firma:		Adresse:	
Telefon:			
E-Mail:		Datum:	
9 Vertriebshändler:			
Firma:		Adresse:	
Ansprechpartner:			
Telefon:		E-Mail:	

\*\*für Punkte 5 und 6 mit einem „X“ markieren (J – Ja/N – Nein). Geben Sie alle Beobachtungen aus den Punkten 5 und 6 im Abschnitt „Hinweise“ ein.s



## 23. REGISTRE D'INSTALLATION

1. Produit : (modèle) DK50-10Z                      DK50-10S DK50-10Z/M                  DK50-10S/M		2. Numéro de série :	
3.1. Nom de l'utilisateur :			
3.2. Adresse de l'installation :			
4. Équipement raccordé au compresseur :			
5. Installation/mise en service :		6. Contenu de la formation des opérateurs :	
A. Vérification de l'intégralité de l'appareil **	<input type="radio"/> O <input type="radio"/> N	A. Description de l'appareil et de ses fonctions **	<input type="radio"/> O <input type="radio"/> N
B. Vérification de l'intégralité de la documentation **	<input type="radio"/> O <input type="radio"/> N	B. Fonctionnement de l'appareil : mise en marche/arrêt, commandes, procédures de commande, données sur le panneau d'affichage, alarmes, fonctionnement des conditions d'alarme**	<input type="radio"/> O <input type="radio"/> N
C. Installation/raccordement à l'appareil	<input type="radio"/> O <input type="radio"/> N	C. Entretien de l'appareil : Intervalles de maintenance, procédure d'entretien, intervalles d'entretien, activités d'exploitation**	<input type="radio"/> O <input type="radio"/> N
D. Test fonctionnel **	<input type="radio"/> O <input type="radio"/> N	D. Mesures de sécurité, avertissements : signification et conformité **	<input type="radio"/> O <input type="radio"/> N
Remarque :			
7. Opérateur instruit sur les mesures de sécurité, les opérations et la maintenance :			
Nom :		Signature :	
Nom :		Signature :	
Nom :		Signature :	
8. Installation réalisée par : Prénom/Nom		Signature :	
Société :		Adresse :	
Téléphone :			
E-mail :		Date :	
9. Distributeur :			
Société :		Adresse :	
Personne de contact :			
Téléphone :		E-mail :	

\*\* marquer d'un « X » aux points 5 et 6 (O - oui /N - non). Saisir les observations des points 5 et 6 dans la section « Remarques ».



## 23. ОТЧЕТ ОБ УСТАНОВКЕ

1. Изделие: (модель) DK50-10Z                    DK50-10S DK50-10Z/M                DK50-10S/M		2. Серийный номер:	
3.1. Имя пользователя:			
3.2. Адрес проведения установки:			
4. Оборудование, подсоединенное к компрессору			
5. Установка / ввод в эксплуатацию		6. Этапы подготовки оператора	
A. Проверка комплектации изделия**	Д Н	A. Описание изделия и его функций**	Д Н
B. Проверка наличия документации**	Д Н	B. Эксплуатация изделия: включение и выключение, элементы управления, контрольные процедуры, отображение данных на дисплее, аварийные сигналы, эксплуатация в случае получения аварийных сигналов**	Д Н
C. Установка / подсоединение к оборудованию**	Д Н	C. Техническое обслуживание: интервалы и процедуры технического обслуживания, служебные интервалы и эксплуатационные меры**	Д Н
D. Функциональные испытания**	Д Н	D. Меры безопасности, предупреждения (их значение и соответствие им)**	Д Н
Примечания			
7. Оператор проинструктирован по поводу мер безопасности, эксплуатации и технического обслуживания			
ФИО:		Подпись:	
ФИО:		Подпись:	
ФИО:		Подпись:	
8. Кем выполнены установка и инструктаж Имя / фамилия		Подпись:	
Компания:		Адрес:	
Телефон:			
Электронная почта:		Дата:	
9. Дистрибьютор			
Компания:		Адрес:	
Контактное лицо:			
Телефон:		Электронная почта:	

\*\* Отметьте пп. 5 и 6 значком «X» («Да» или «Нет»). Внесите в раздел «Примечания» какие-либо замечания на основе данных пп. 5 и 6.



## 23. DOKUMENTACJA INSTALACJI

1. Product: (model) DK50-10Z                      DK50-10S DK50-10Z/M                  DK50-10S/M		2. Numer seryjny	
3.1. Instrukcja obsługi:			
3.2. Adres instalacji:			
4. Sprzęt podłączony do sprężarki:			
5. Instalacja / Uruchomienie urządzenia:		6. Spis treści szkolenia operatorów:	
A. Sprawdzenie kompletności produktu **	T N	A. Opis produktu i funkcji**	T N
B. Sprawdzanie kompletności dokumentów **	T N	B. Działanie produktu: włączanie/wyłączanie, sterowanie, procedury sterowania, dane na wyświetlaczu, alarmy, obsługa w warunkach alarmowych**.	T N
C. Instalacja/podłączenie sprzętu **	T N	C. Konserwacja produktu: przerwy między przeglądami, procedury konserwacji, okresy międzyprzeglądowe, działalności operacyjne**	T N
D. Test funkcjonalny **	T N	D. Środki bezpieczeństwa, ostrzeżenia – ich znaczenie i zgodność **	T N
Uwagi:			
7. Operator został poinformowany o środkach bezpieczeństwa, działaniach i konserwacji:			
Imię i nazwisko:		Podpis:	
Imię i nazwisko:		Podpis:	
Imię i nazwisko:		Podpis:	
8. Instalacja i instruktaż przeprowadzone przez Imię/Nazwisko		Podpis:	
Firma:		Adres:	
Telefon:			
Email:		Data:	
9. Dystrybutor:			
Firma:		Adres:	
Osoba kontaktowa:			
Telefon:		Email: :	

\*\* umieścić znak „X” w punktach 5 i 6 (T – tak /N – nie). Wszelkie uwagi z punktów 5 i 6 w rubryce „Uwagi”



## 23. ZÁZNAM O INŠTALÁCII

1. Výrobok: (typ) DK50-10Z                      DK50-10S DK50-10Z/M                  DK50-10S/M		2. Výrobné číslo:	
3.1. Názov užívateľa:			
3.2. Adresa inštalácie:			
4. Zariadenia pripojené ku kompresoru:			
5. Inštalácia / Uvedenie do prevádzky:		6. Obsah zaučenia obsluhy:	
A. Kontrola úplnosti výrobku **	A N	A. Popis výrobku a popis funkcie**	A N
B. Kontrola úplnosti dokumentácie **	A N	B. Obsluha výrobku : zapnúť /vypnúť, ovládacie prvky, postupy ovládania, údaje na zobrazovacom paneli, alarmy, činnosť pri alarmoch**	A N
C. Inštalácia/pripojenie k zariadeniu **	A N	C. Údržba výrobku : intervaly údržby, postup pri údržbe, servisné intervaly, činnosť obsluhy**	A N
D. Funkčná skúška **	A N	D. Bezpečnostné opatrenia, upozornenia – ich význam a dodržiavanie **	A N
Poznámky:			
7. Obsluha poučená o bezpečnostných opatreniach, prevádzke a údržbe :			
Meno :		Podpis :	
Meno :		Podpis :	
Meno :		Podpis :	
8. Inštaláciu a poučenie vykonal – Meno/Priezvisko		Podpis:	
Firma:		Adresa:	
Telefón:			
E-mail :		Dátum:	
9. Distribútor :			
Firma:		Adresa:	
Kontaktná osoba :			
Telefón:		E-mail :	

\*\* v bodoch 5 a 6 označiť "X" (A - áno /N - nie). Pozorovania k bodom 5 a 6 zapísať do časti „Poznámky“



## 23. ZÁZNAM O INSTALACI

1. Výrobek: (typ) DK50-10Z                      DK50-10S DK50-10Z/M                  DK50-10S/M		2. Výrobní číslo:	
3.1. Jméno uživatele:			
3.2. Adresa instalace:			
4. Zařízení připojené ke kompresoru:			
5. Instalace / uvedení do provozu:		6. Obsah zaučení obsluhy:	
A. Kontrola úplnosti výrobku**	A	A. Popis výrobku a popis funkcí**	A
	N		N
B. Kontrola úplnosti dokumentace**	A	B. Obsluha výrobku: zap./vyp., ovládací prvky, postupy ovládání, údaje na zobrazovacím panelu, alarmy, činnosti při alarmech**	A
	N		N
C. Instalace / připojení k zařízení**	A	C. Údržba výrobku: intervaly údržby, postup při údržbě, servisní intervaly, činnost obsluhy**	A
	N		N
D. Zkouška funkčnosti **	A	D. Bezpečnostní opatření, upozornění – jejich význam a dodržování**	A
	N		N
Poznámky:			
7. Obsluha poučená o bezpečnostních opatřeních, provozu a údržbě:			
Jméno:		Podpis:	
Jméno:		Podpis:	
Jméno:		Podpis:	
8. Instalaci a poučení vykonal/a – Jméno/příjmení		Podpis:	
Firma:		Adresa:	
Telefon:			
E-mail:		Datum:	
9. Distributor:			
Firma:		Adresa:	
Kontaktní osoba:			
Telefon:		E-mail:	


\*\* v bodech 5 a 6 označit „X“ (A – ano /N – ne). Pozorování k bodům 5 a 6 zapsat do části „Poznámky“.

---

---

# DK50-10



 EKOM spol. s r.o.,  
Priemyselná 5031/18, 921 01 PIEŠŤANY, Slovak Republic  
tel.: +421 33 7967255, fax: +421 33 7967223  
e-mail: [ekom@ekom.sk](mailto:ekom@ekom.sk), [www.ekom.sk](http://www.ekom.sk)

NP-DK50-10-16\_01-2022-MD  
112000354-000

