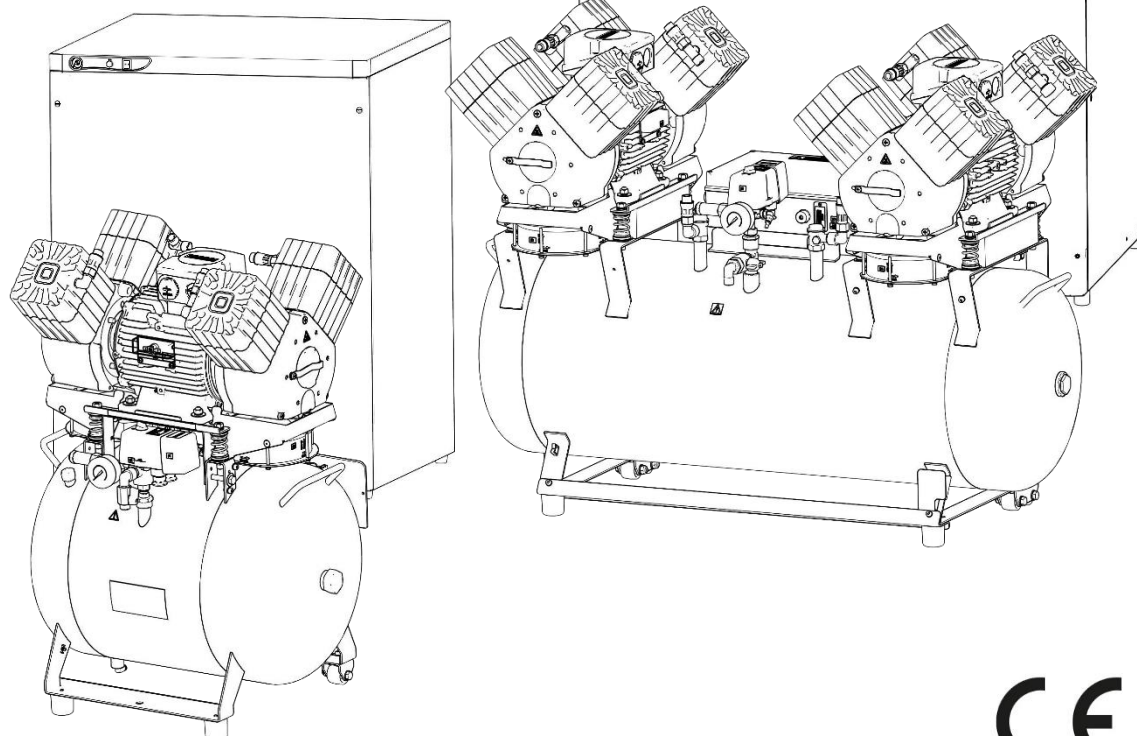




DK50 4VR/50

DK50 2X4VR/110

- EN USER MANUAL
- DE BENUTZERHANDBUCH
- FR MANUEL DE L'UTILISATEUR
- RU РУКОВОДСТВО ПОЛЬЗОВАТЕЛЯ
- PL INSTRUKCJA OBSŁUGI
- SK NÁVOD NA POUŽITIE
- CS NÁVOD K POUŽITÍ



COMPRESSOR
KOMPRESSOR
COMPRESSEUR
КОМПРЕССОР
SPREŽARKA
KOMPRESOR

DK50 4VR/50
DK50 2x4VR/110



EKOM spol. s r. o.
Priemyselná 5031/18
SK-921 01 Piešťany
Slovak Republic
tel.: +421 33 7967255
fax: +421 33 7967223

www.ekom.sk
email: ekom@ekom.sk

DATE OF LAST REVISION
DATUM DER LETZTEN ÜBERARBEITUNG
DATE DE LA DERNIÈRE RÉVISION
ДАТА ПОСЛЕДНЕЙ РЕДАКЦИИ
DATA OSTATNIEJ AKTUALIZACJI
DÁTUM POSLEDNEJ REVÍZIE
DATUM POSLEDNÍ REVIZE

05/2022



NP-DK50 4VR 50, DK50
2x4VR 110-MD-9_05-2022
112000445-000

EN	<u>CONTENTS..... 5</u>
DE	<u>INHALT 58</u>
FR	<u>TABLES DES MATIÈRES 112</u>
RU	<u>ОГЛАВЛЕНИЕ 165</u>
PL	<u>SPIS TREŚCI 220</u>
SK	<u>OBSAH 275</u>
CS	<u>OBSAH 328</u>

CONTENTS

IMPORTANT INFORMATION	6
1. CONFORMITY WITH THE REQUIREMENTS OF EUROPEAN UNION DIRECTIVES	6
2. INTENDED USE	6
3. CONTRAINDICATIONS AND SIDE-EFFECTS	6
4. SYMBOLS.....	6
5. WARNINGS	7
6. STORAGE AND TRANSPORT CINDITIONS.....	9
PRODUCT DESCRIPTION	10
7. VARIANTS	10
8. ACCESSORIES	11
9. PRODUCT FUNCTION	12
TECHNICAL DATA	18
INSTALLATION	25
10. INSTALLATION CONDITIONS	25
11. COMPRESSOR ASSEMBLY	25
12. PNEUMATIC CONNECTION	30
13. ELECTRICAL CONNECTION	32
14. COMMISSIONING	33
15. PNEUMATIC AND ELECTRICAL DIAGRAMS	34
OPERATION	44
16. SWITCHING ON THE COMPRESSOR.....	45
17. SWITCHING OFF THE COMPRESSOR.....	45
PRODUCT MAINTENANCE	46
18. PRODUCT MAINTENANCE.....	46
19. LONG-TERM SHUTDOWN.....	55
20. DISPOSAL OF DEVICE	55
TROUBLESHOOTING	56
21. REPAIR SERVICE	57
ANNEX	381
22. INSTALLATION RECORD	381

IMPORTANT INFORMATION

1. CONFORMITY WITH THE REQUIREMENTS OF EUROPEAN UNION DIRECTIVES

This product conforms to the requirements of the Regulation (EU) on medical devices (MDR 2017/745) and is safe for the intended use if all safety instructions are followed.

2. INTENDED USE

The compressor is used as a source of clean, oil-free compressed air to power active medical devices where the parameters and properties of the compressed air are suitable for the specific application.a



Compressed air supplied by the compressor is unsuitable for use with artificial lung ventilation devices without further filtration

Any other use of the product beyond its intended use is considered an incorrect use. The manufacturer is not liable for any damages or injuries resulting from the incorrect use.

3. CONTRAINDICATIONS AND SIDE-EFFECTS

There are no contraindications or side-effects known.

4. SYMBOLS

The following symbols and marks are used in the User manual, on the device and its packaging:



General warning



Warning - risk of electric shock



Warning - compressor is controlled automatically



Warning - hot surface



General caution



Read the operating instructions



Refer to instruction manual



CE – marking



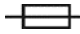







Medical device



Serial number



Protecting earthing

	Fuse
	Package handling label – fragile
	Package handling label – this side up
	Package handling label – keep dry
	Package handling label – temperature limits
	Package handling label – limited stacking
	Package label – recyclable material
	Manufacturer

5. WARNINGS

The product is designed and manufactured to be safe for the user and the surrounding environment when used in the defined manner. Keep the following warnings in mind.

5.1. General warnings

READ THE USER MANUAL CAREFULLY BEFORE USING THE DEVICE AND KEEP IT FOR FUTURE USE!

- The user manual supports the correct installation, operation and maintenance of the product. Careful review of this manual will provide the information necessary for the correct operation of the product for its intended use.
- Original packaging should be retained for the return of the device. Only the original packaging ensures protection of the device during transport. If it is necessary to return the product during the warranty period, the manufacturer is not liable for damages caused by improper packaging.
- This warranty does not cover damages originating from the use of accessories other than those specified or recommended by the manufacturer.
- The manufacturer only guarantees the safety, reliability and function of the device if:
 - installation, new settings, changes, expansion, and repairs are performed by the manufacturer or an organisation authorised by the manufacturer
 - the product is used pursuant to the user manual
- The user manual corresponds to the configuration of the product and its compliance with the applicable safety and technical standards at the time of printing. The manufacturer reserves all rights for the protection of its configuration, methods and names.
- Translation of the user manual is performed in accordance with the best available knowledge. The Slovak version is to be used in the event of any uncertainties.
- This user manual is the original instructions. Translation is performed in accordance with the best available knowledge.

5.2. General safety warnings

The manufacturer designed and manufactured the product to minimise all risks when used correctly for the intended use. The manufacturer considers it its obligation to lay down the following general safety precautions.

- Use and operation of the product must comply with all laws and local regulations valid in the place of use. The operator and user are responsible for following all the appropriate regulations in the interests of performing work safely.
- Only the use of original parts guarantees the safety of operating personnel and the flawless operation of the product itself. Only the accessories and parts mentioned in the technical documentation or expressly approved by the manufacturer should be used.
- The operator must ensure that the device is functioning correctly and safely before every use.
- The user must be familiar with the operation of the device.
- Do not use the product in environments with a risk of explosion.
- The user must inform the supplier immediately if any problem directly related to the operation of the device occurs.
- Any serious incident that has occurred in relation to the device should be reported to the manufacturer and the competent authority of the Member State in which the user and / or patient is established.

5.3. Safety warnings on protection from electric current

- The device must only be connected to a properly installed, earthed socket.
- Before the product is plugged in, ensure that the mains voltage and frequency stated on the product are in compliance with the values of the mains.
- Prior to putting the device into operation check for any damage to the connected pneumatic lines and electrical wiring. Replace damaged pneumatic lines and electrical wirings immediately.
- Immediately disconnect the product from the mains (remove power cord from the socket) in hazardous situations or in the case of a technical malfunction.
- During all repairs and maintenance, ensure that:
 - the mains plug is removed from the power socket
 - pressure is vented from the air tank and pipes
- The product shall only be installed by a qualified technician.

6. STORAGE AND TRANSPORT CINDITIONS

The compressor is shipped from the manufacturer in transport packaging. This protects the product from damage during transport.



Potential for damage to pneumatic components.

The compressor must be transported only when all air has been vented. Before moving or transporting the compressor, release all the air pressure from the tank and pressure hoses, from dryer chambers and drain condensate from the tank and from the condensate separator on the dryer.



Keep the original factory packaging in case the device needs to be returned Use the original factory packaging during transport as it provides optimum protection for the product. If it is necessary to return the product during the warranty period, the manufacturer is not liable for damages caused by improper packaging.



The compressor is shipped in a vertical position and must be secured using transport straps.



Protect the compressor from humid and dirty environments and extreme temperatures during transport and storage. Do not store near any volatile chemical substances.



If not, please dispose of the original packaging material in an environmentally-friendly way. The packaging cardboard can be recycled with old paper.



Storing or shipping the equipment in any conditions other than those specified below is prohibited.

6.1. Ambient conditions

Products may only be stored and transported in vehicles that are free of any traces of volatile chemicals under the following climactic conditions:

Temperature

–25°C to +55°C

Relative humidity

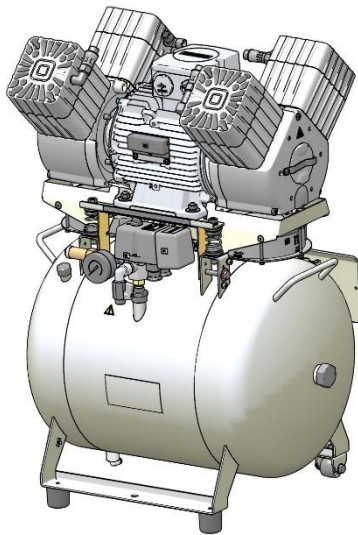
max. 90% (non-condensing)

PRODUCT DESCRIPTION

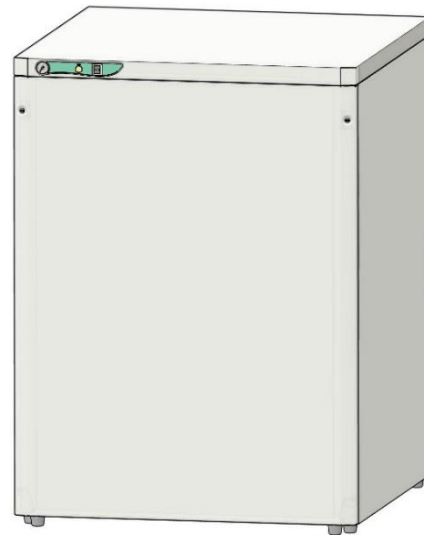
7. VARIANTS

The compressor is manufactured according to its intended application in the following variants:

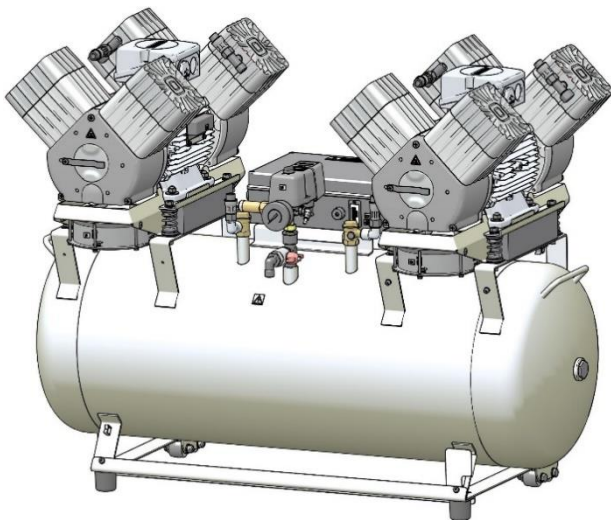
DK50 4VR/50	Compressor for installation in areas where operations will not disturb the surroundings
DK50 4VR/50/M	Compressor with a membrane air dryer
DK50 4VR/50S	Compressor in a cabinet with efficient soundproofing
DK50 4VR/50S/M	Compressor with membrane dryer in a cabinet
Cabinet S50R	Used to reduce the level of noise generated by the compressor
DK50 2x4VR/110	Compressor for installation in areas where operations will not disturb the surroundings
DK50 2x4VR/110/M	Compressor with a membrane air dryer
DK50 2x4VR/110S	Compressor in a cabinet with efficient soundproofing
DK50 2x4VR/110S/M	Compressor with membrane dryer in a cabinet
Cabinet S110R	Used to reduce the level of noise generated by the compressor



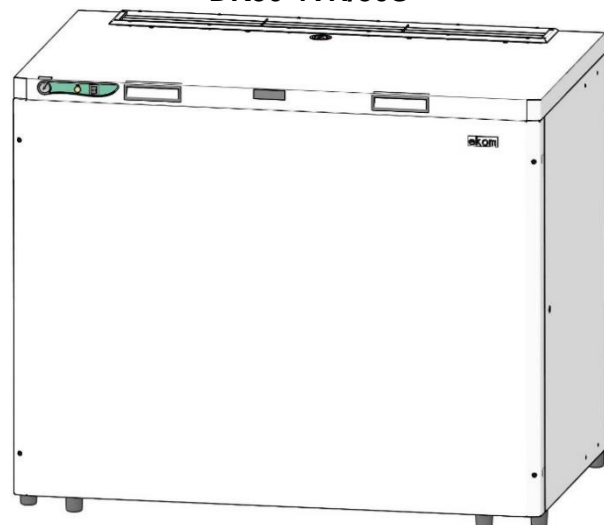
DK50 4VR/50



S50R
DK50 4VR/50S



DK50 2x4VR/110



S110R
DK50 2x4VR/110S

8. ACCESSORIES

Accessories that are not included in the standard order must be ordered separately.

Automatic condensate drain

The automatic condensate drain (AOK) automatically drains condensate from the compressor's air tank based on a pre-set time interval. The condensate drain (AOK) is a suitable accessory for compressor models without dryers.

Type	Use	Article number
AOK 18	DK50 4VR/50	604014082-000
AOK 19	DK50 2x4VR/110	604014083-000

Set of compressed air outlet filters

The compressor may be equipped with a set of filters if specified. The filter set may be equipped with an air pressure regulator.



Where a different level of air filtration is required, this requirement must be agreed upon with the supplier and specified in the order.

Type	Use	Level of filtration (µm)	Article number
FS 30F		1	604014119-014
FS 30M	DK50 4VR/50	1+0.1	604014119-015
FS 30S	DK50 4VR/50/M	1+0.01	604014119-017
FS 30A		1+0.01+A**	604014119-018
FS 40F		1	604014119-000
FS 40M	DK50 2x4VR/110	1+0.1	604014119-004
FS 40S	DK50 2x4VR/110/M	1+0.01	604014119-024
FS 40AH		1+AC+HC (0.01)	604014119-005

**) A – submicrofilter with activated carbon

Filter set regulator assembly

The compressor may be equipped with a pressure regulator of the compressed air outlet if specified. The regulator must be selected according to the application to the filter set, or separately. The regulator shall ensure constant pressure at the outlet.

Type	Use	Article number
Regulator complete (to the filter assembly)	DK50 4VR/50	604014130-000
REG12 (separate)	DK50 4VR/50/M	447000001-088
Regulator complete	DK50 2x4VR/110	604014125-000
REG15	DK50 2x4VR/110/M	447000001-115

Filter set brackets



A suitable bracket must be ordered for every filter set.

Type	Use	Article number
Compressor-mounted bracket	DK50 4VR/50 DK50 4VR/50/M	603014177-000
Compressor-mounted bracket	DK50 2x4VR/110	604014131-000
Wall-mounted bracket	DK50 2x4VR/110/M	603014120-000

Equipotential bonding socket

The socket allows an equipotential bonding.

Type	Use	Name	Article number
POAG-KBT6-EC	DK50 4VR/50 DK50 4VR/50/M	Mains plug connector	033400075-000
FLEXI-S/POAG-HK6	DK50 2x4VR/110 DK50 2x4VR/110/M	Conductor (1 m)	034110083-000

9. PRODUCT FUNCTION

9.1. Compressor

The air pump (1) draws in atmospheric air through an inlet filter (8) and compresses it through a non-return valve (3) into an air tank (2) from which the device draws compressed air. If the pressure in the air tank drops to the switch-on pressure, the pressure switch (4) turns on the compressor and the compressor supplies compressed air into the air tank until it reaches the switch-off pressure, when the compressor switches off. The safety valve (5) prevents the pressure in the air tank from rising above the maximum allowed value. The drain valve (7) drains condensate from the air tank. Compressed, oil-free filtered air is stored in the air tank ready for use.

Condensate must be drained from the air tank at regular intervals (see Chapter 18.1).

9.2. Compressor with membrane dryer

The air pump (1) draws in air through an inlet filter (8) and compresses it, feeding it to the cooler (10) through the filter (18) and the non-return valve (3) into the dryer (9), and feeds the clean and dry air into the air tank (2). A part of the air is released from the dryer with the captured moisture, which is manifested as a light air stream along the body of the dryer (9). Condensate from the filter is automatically drained at regular intervals into the condensate collection vessel (12) via the condensate drain solenoid valve (17). The dryer ensures continuous drying of the compressed air. The drain valve (7) drains condensate from the air tank when drying performance is checked. Compressed, oil-free filtered air is stored in the air tank ready for use.

For the membrane dryer to work as intended, the dryer is connected directly to the air tank without the use of a check valve. As the membrane dryer contains selective membrane fibres, there is a small amount of air leakage through them (about 0.5 bar/30 min)

This is why there is a gradual, slow drop in pressure even when there is no demand for compressed air (from the air tank), however, this is not a malfunction.

The pressure vessel does not need to be drained.

9.3. Compressor cabinet

The cabinet serves as a compact soundproof compressor enclosure and ensures the sufficient exchange of cooling air. The fan under the air pump (11) and the cabinet fans (21) cool the compressor. The fans run concurrently with the compressor motor or when the temperature switch is activated at a temperature higher than 40°C. Once the space in the cabinet cools down to about 32°C, the fans turn off automatically.



Risk of compressor overheating.

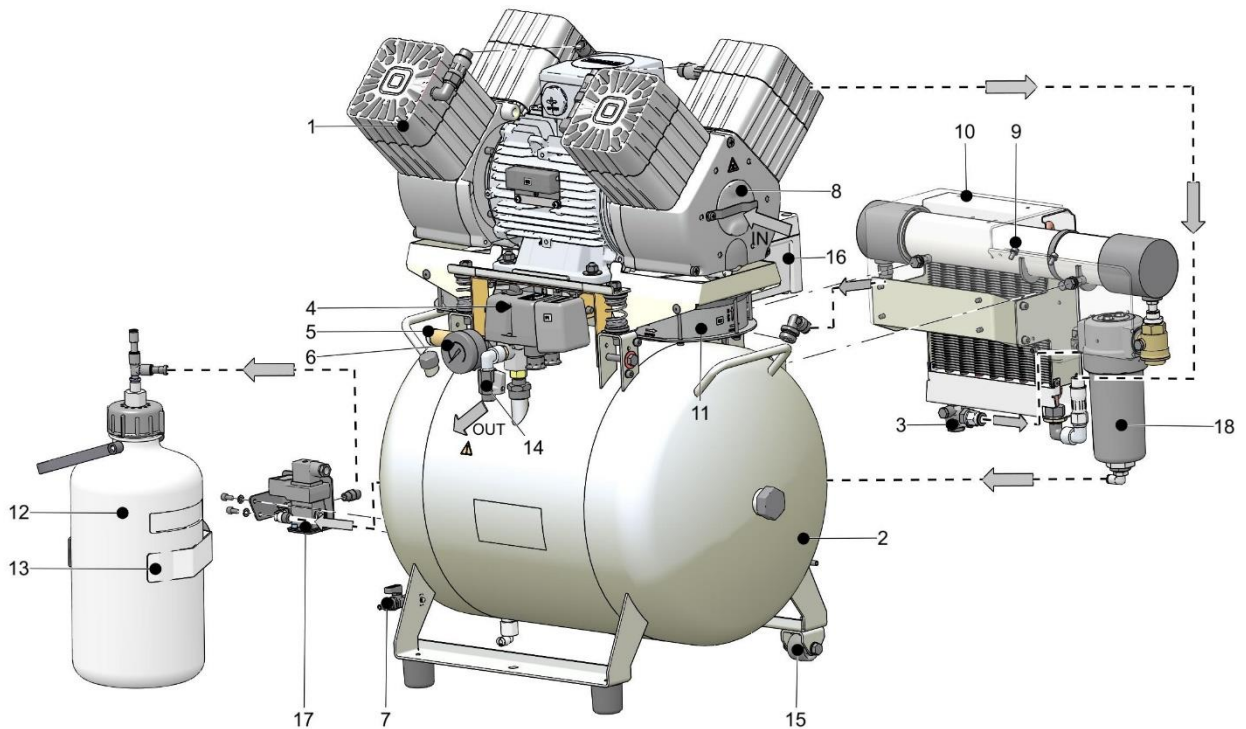
Make sure that there are no obstacles at the cooling air inlet into the cabinet (around the bottom part of the cabinet) and at the hot air outlet on the top back side of the cabinet.

If the compressor is placed on a soft floor, e.g. carpet, create space between the base and the floor or the cabinet and the floor, e.g. underlay the footings with hard pads to ensure sufficient cooling of the compressor.

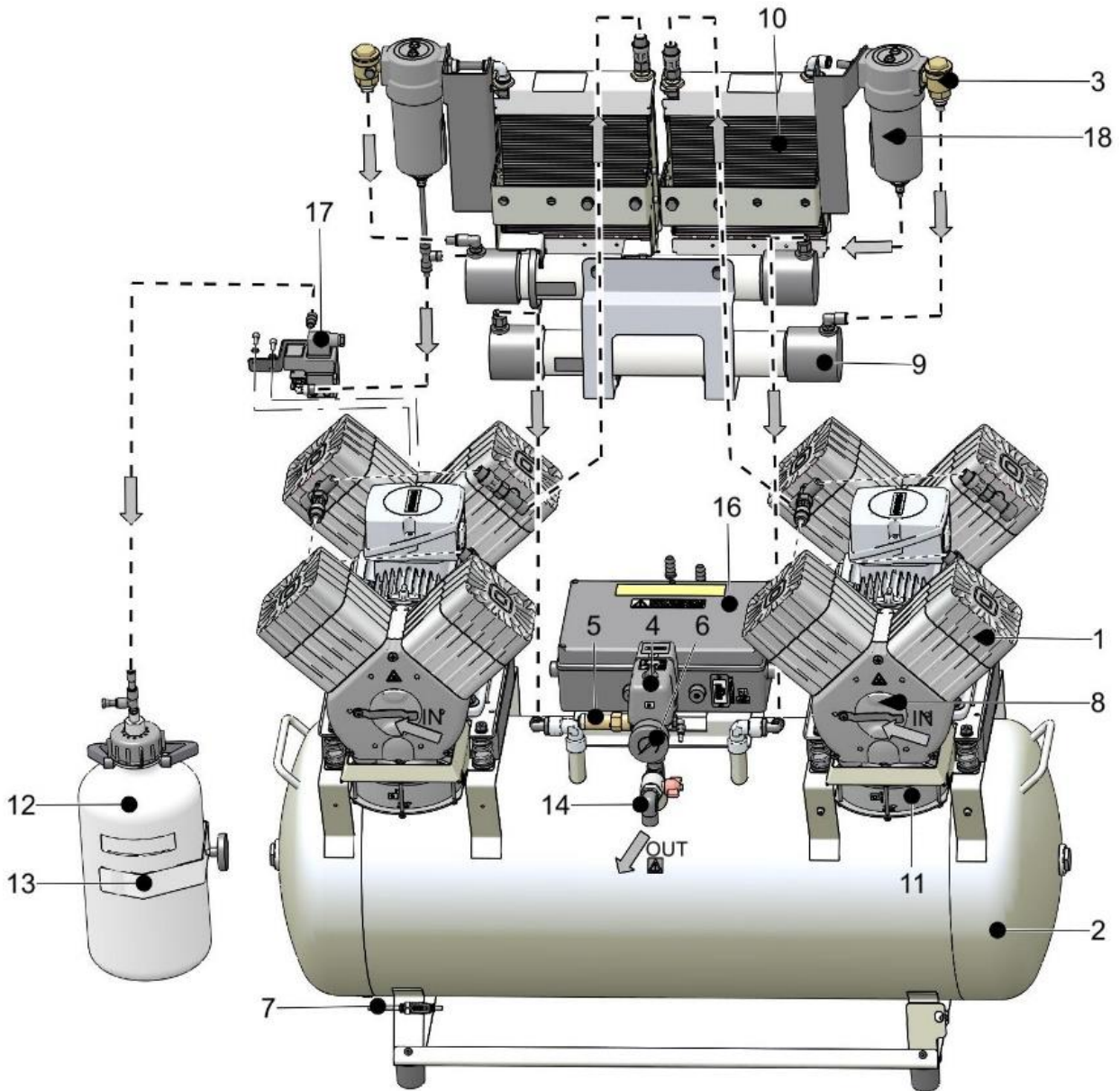
Descriptions for figures 1 - 3

- | | |
|---------------------------------|------------------------------------|
| 1 Air pump | 16 Electrical box / switchboard |
| 2 Air tank | 17 Condensate drain solenoid valve |
| 3 Non-return valve | 18 Filter |
| 4 Pressure switch | 21 Cabinet fan |
| 5 Safety valve | 22 Cabinet pressure gauge |
| 6 Pressure gauge | 23 Switch |
| 7 Drain valve | 24 Cabinet connector |
| 8 Inlet filter | 25 Pressure gauge hose |
| 9 Dryer | 26 Pulling system |
| 10 Cooler | 27 Wall stop |
| 11 Compressor fan | 28 Power cord |
| 12 Condensate collection vessel | 29 Cabinet gas springs |
| 13 Magnetic holder | 30 Connecting reinforcement |
| 14 Compressed air outlet | 31 Maintenance indicator |
| 15 Compressor wheel | |

Fig. 1: Compressor with membrane dryer

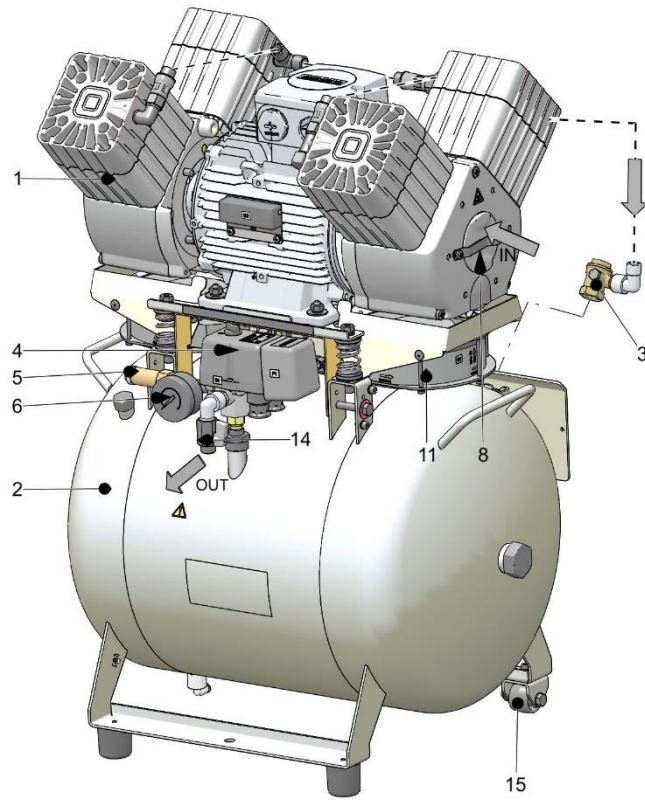


DK50 4VR/50/M

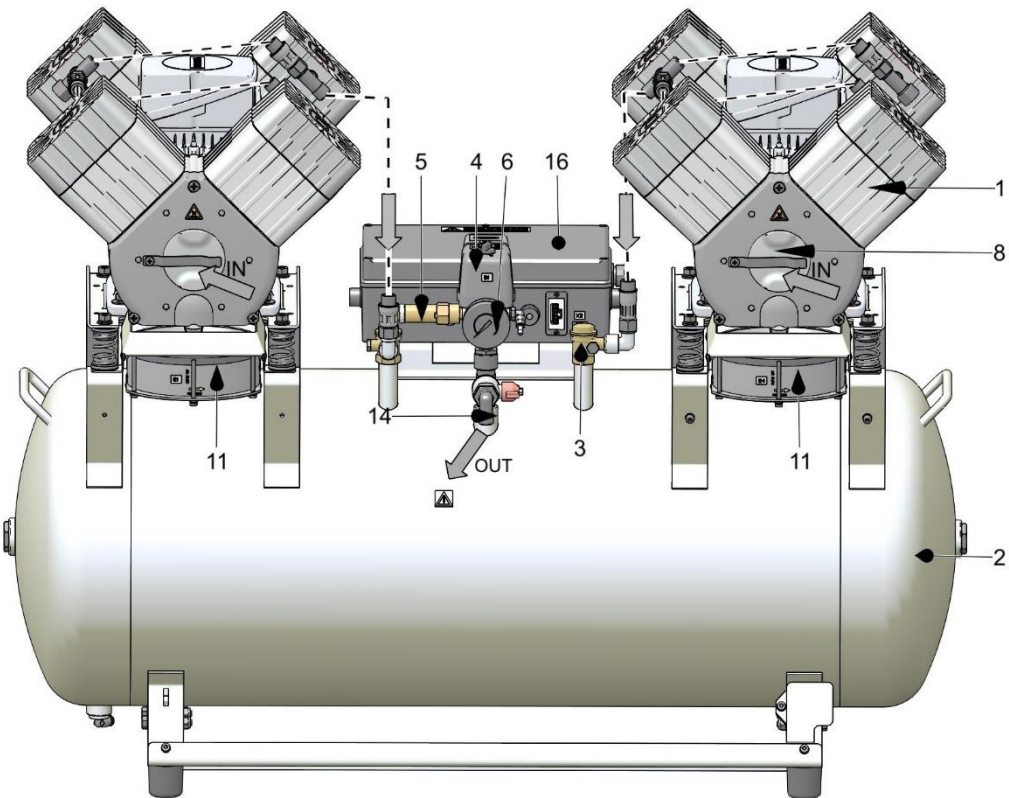


DK50 2x4VR/110/M

Fig. 2: Compressor

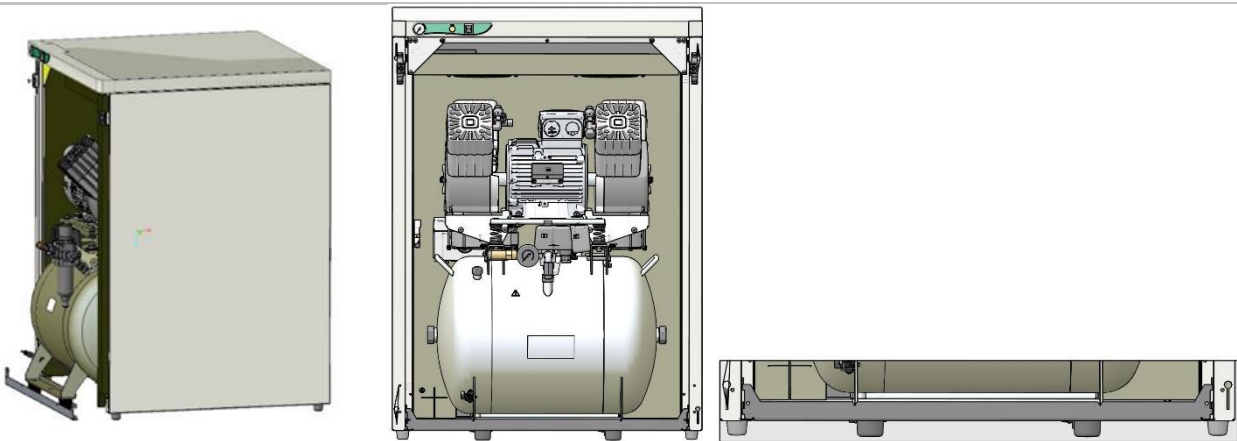
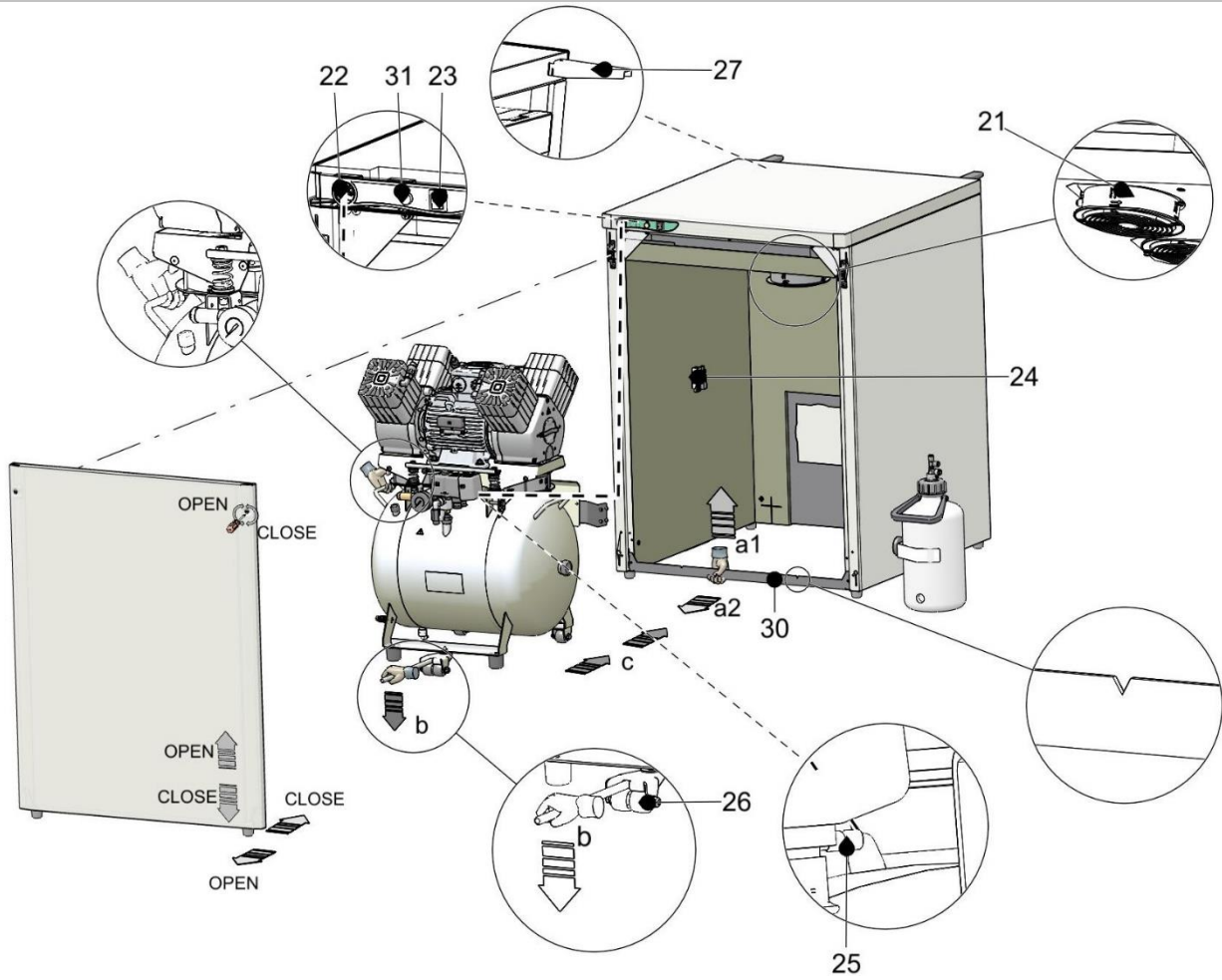


DK50 4VR/50

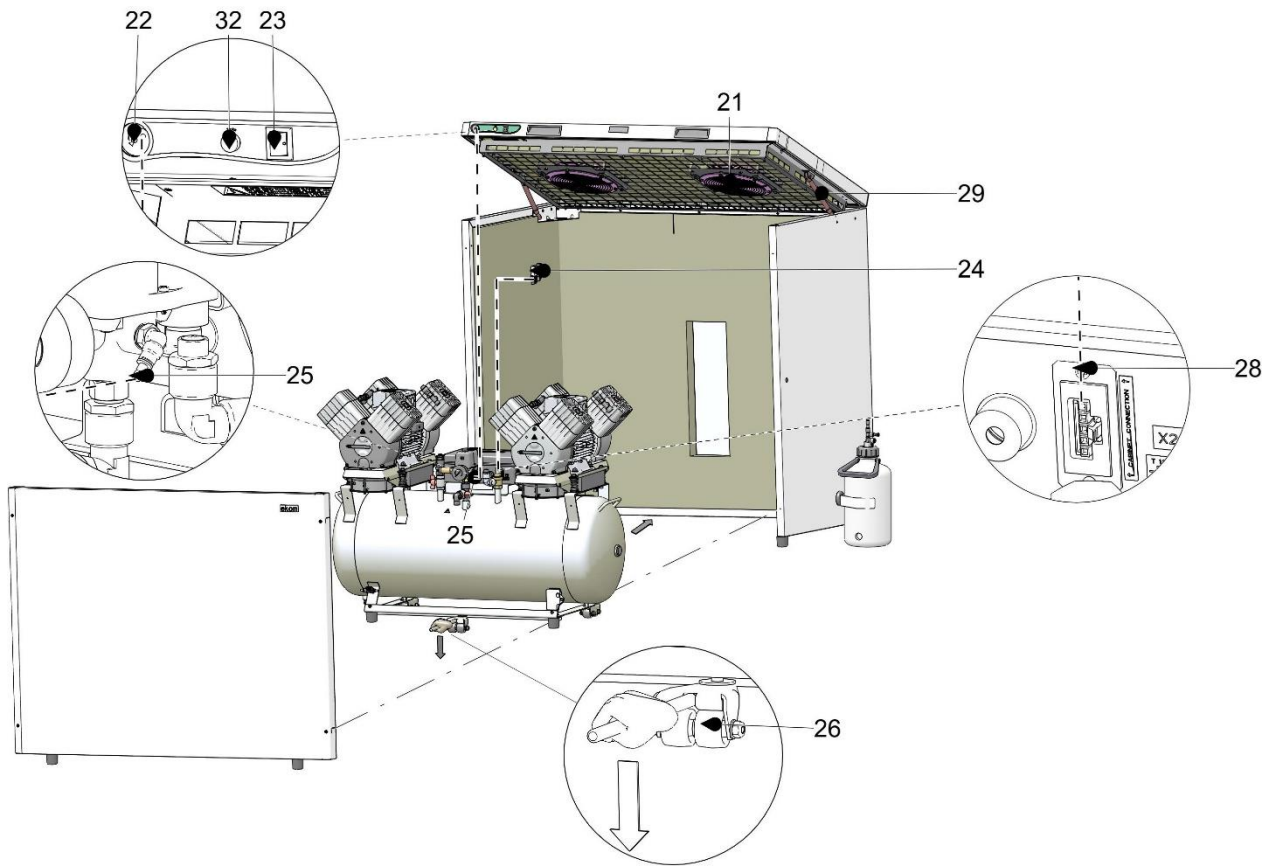


DK50 2x4VR/110

Fig. 3: Cabinet



A - DK50 4VR/50S



B - DK50 2x4VR/110S

TECHNICAL DATA

Compressors are designed for operation in dry, ventilated and dust-free indoor rooms under the following climactic conditions:

Temperature +5°C to +40°C

Relative humidity max. 70%

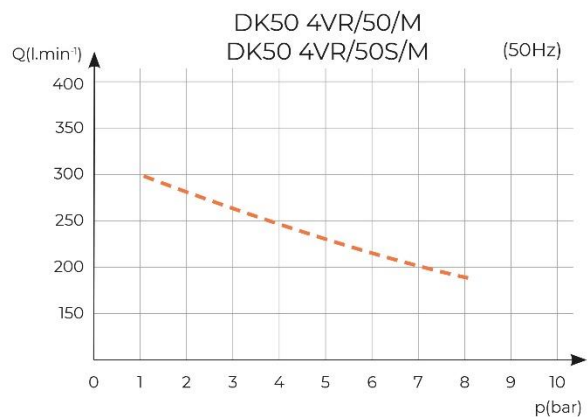
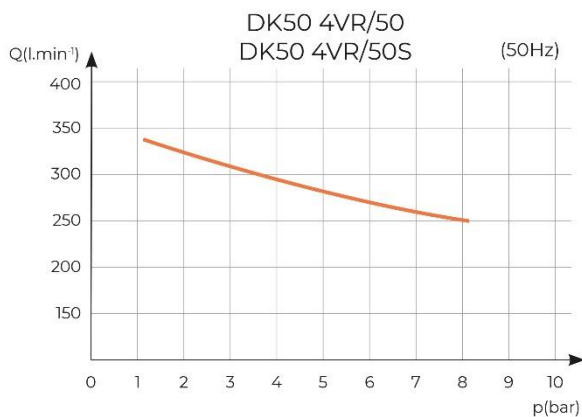
Working pressure 6 – 8 bar		DK50 4VR/50	DK50 4VR/50S	DK50 4VR/50/M	DK50 4VR/50S/M
Rated voltage Frequency ^{a)}	V, Hz	3x400, 50	3x400, 50	3x400, 50	3x400, 50
Capacity at 6 bar (FAD)	l/min	270	270	215	215
Working pressure ^{b)}	bar	6.0 – 8.0	6.0 – 8.0	6.0 – 8.0	6.0 – 8.0
Rated current	A	4.7	5.1	4.8	5.2
Motor power	kW	2.2	2.2	2.2	2.2
Air tank volume	l	50	50	50	50
Air quality - filtration	µm	-	-	0.1	0.1
Maximum operating pressure of safety valve	bar	12.0	12.0	12.0	12.0
Noise level at 5 bar (L _{pA})	dB	≤77.0	≤58.0	≤77.0	≤58.0
Operating mode	%	S1-100	S1-100	S1-100	S1-100
PDP drying performance at 7 bar	°C	-	-	≤ +3	≤ +3
Dimensions (net) w x d x h	mm	577x587x815	750x778x1015	577x628x815	750x778x1015
Net weight ^{c)}	kg	70	128	81	139
Classification under EN 60601-1	Class I.				

^{a)} Specify the compressor version when ordering

^{b)} Consult any other range of pressure with the supplier

^{c)} Weight is indicative and only applies to the product without accessories

Dependence of compressor output on working pressure



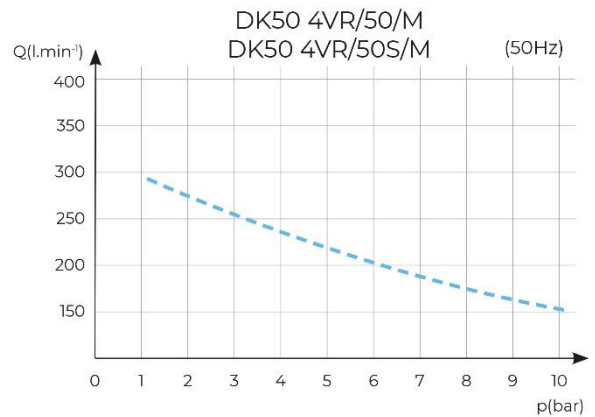
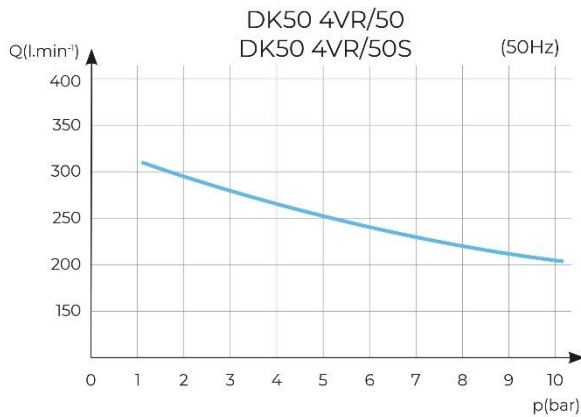
Working pressure 8 – 10 bar		DK50 4VR/50	DK50 4VR/50S	DK50 4VR/50/M	DK50 4VR/50S/M
Rated voltage Frequency ^{a)}	V, Hz	3x400, 50	3x400, 50	3x400, 50	3x400, 50
Capacity at 8 bar (FAD)	l/min	220	220	175	175
Working pressure ^{b)}	bar	8.0 – 10.0	8.0 – 10.0	8.0 – 10.0	8.0 – 10.0
Rated current	A	4.7	5.1	5.4	5.9
Motor power	kW	2.2	2.2	2.2	2.2
Air tank volume	l	50	50	50	50
Air quality - filtration	µm	-	-	0.1	0.1
Maximum operating pressure of safety valve	bar	12.0	12.0	12.0	12.0
Noise level at 5 bar (L _{pA})	dB	≤77.0	≤58.0	≤77.0	≤58.0
Operating mode	%	S1-100	S1-100	S1-100	S1-100
PDP drying performance at 7 bar	°C	-	-	≤ +3	≤ +3
Dimensions (net) w x d x h	mm	577x587x815	750x778x1015	577x628x815	750x778x1015
Net weight ^{c)}	kg	70	128	81	139
Classification under EN 60601-1		Class I.			

^{a)} Specify the compressor version when ordering

^{b)} Consult any other range of pressure with the supplier

^{c)} Weight is indicative and only applies to the product without accessories

Dependence of compressor output on working pressure



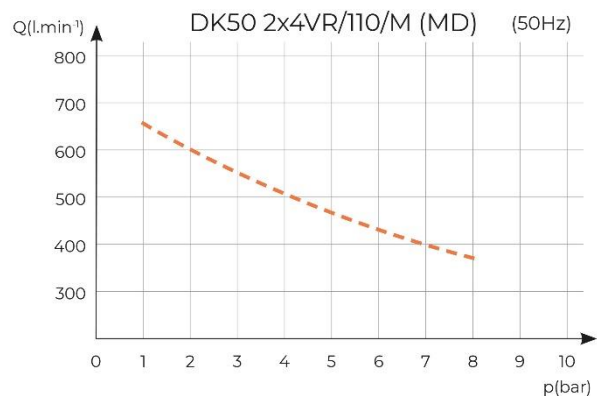
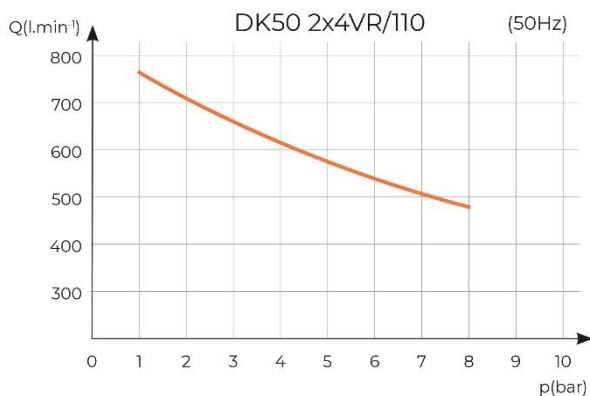
Working pressure 6 – 8 bar		DK50 2x4VR/110	DK50 2x4VR/110S	DK50 2x4VR/110/M	DK50 2x4VR/110S/M
Rated voltage Frequency ^{a)}	V, Hz	3x400, 50	3x400, 50	3x400, 50	3x400, 50
Capacity at 6 bar (FAD)	l/min	540	540	430	430
Working pressure ^{b)}	bar	6.0 – 8.0	6.0 – 8.0	6.0 – 8.0	6.0 – 8.0
Rated current	A	9.4	10.2	10.1	10.6
Motor power	kW	2x2.2	2x2.2	2x2.2	2x2.2
Air tank volume	l	110	110	110	110
Air quality - filtration	µm	-	-	0.1	0.1
Maximum operating pressure of safety valve	bar	9.0	9.0	9.0	9.0
Noise level at 5 bar (L _{pA})	dB	≤77.0	≤58.0	≤77.0	≤58.0
Operating mode	%	S1-100	S1-100	S1-100	S1-100
PDP drying performance at 7 bar	°C	-	-	≤ +3	≤ +3
Dimensions (net) w x d x h	mm	1085x511x830	1260x834x1046	1085x678x830	1260x834x1046
Net weight ^{c)}	kg	136	218	158	240
Classification under EN 60601-1	Class I.				

^{a)} Specify the compressor version when ordering

^{b)} Consult any other range of pressure with the supplier

^{c)} Weight is indicative and only applies to the product without accessories

Dependence of compressor output on working pressure



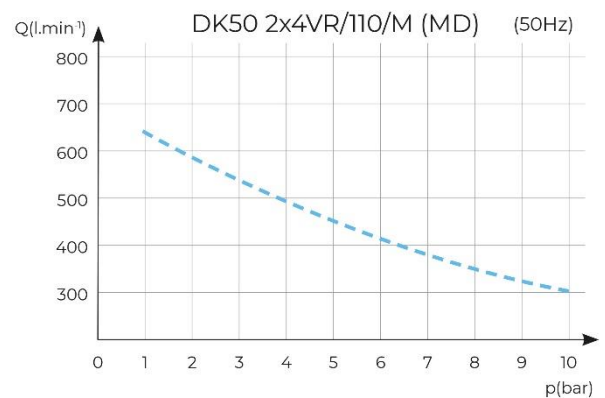
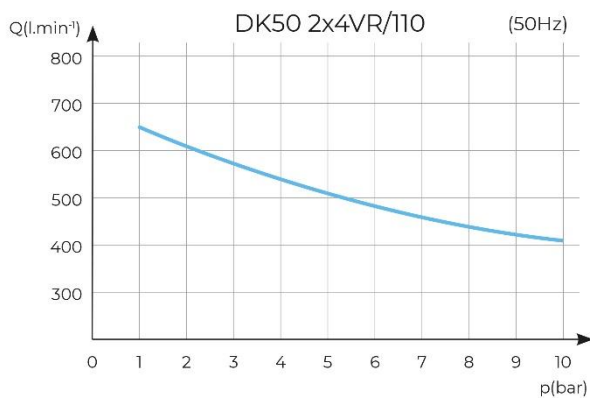
Working pressure 8 – 10 bar		DK50 2x4VR/110	DK50 2x4VR/110S	DK50 2x4VR/110/M	DK50 2x4VR/110S/M
Rated voltage Frequency ^{a)}	V, Hz	3x400, 50	3x400, 50	3x400, 50	3x400, 50
Capacity at 8 bar (FAD)	l/min	440	440	350	350
Working pressure ^{b)}	bar	8.0 – 10.0	8.0 – 10.0	8.0 – 10.0	8.0 – 10.0
Rated current	A	9.4	10.2	10.1	10.6
Motor power	kW	2x2.2	2x2.2	2x2.2	2x2.2
Air tank volume	l	110	110	110	110
Air quality - filtration	µm	-	-	0.1	0.1
Maximum operating pressure of safety valve	bar	12.0	12.0	12.0	12.0
Noise level at 5 bar (L _{pA})	dB	≤77.0	≤58.0	≤77.0	≤58.0
Operating mode	%	S1-100	S1-100	S1-100	S1-100
PDP drying performance at 7 bar	°C	-	-	≤ +3	≤ +3
Dimensions (net) w x d x h	mm	1085x511x830	1260x834x1046	1085x678x830	1260x834x1046
Net weight ^{c)}	kg	136	218	158	240
Classification under EN 60601-1	Class I.				

^{a)} Specify the compressor version when ordering

^{b)} Consult any other range of pressure with the supplier

^{c)} Weight is indicative and only applies to the product without accessories

Dependence of compressor output on working pressure



FAD correction of capacity for altitude

Capacity given in the form of FAD („Free Air Delivery“) applies to the following conditions:

Altitude	0 m.n.m.	Temperature	20°C
Atmospheric pressure	101325 Pa	Relative humidity	0%

To calculate FAD compressor capacity in dependence on altitude, it is necessary to apply correction factor according to the following table:


Altitude [m.n.m.]	0 -1500	1501 - 2500	2501 - 3500	3501 - 4500
FAD correction factor	1	0.80	0.71	0.60

Electromagnetic compatibility declaration

Medical equipment needs special precautions regarding electromagnetic compatibility (EMC) and needs to be installed and put into service according to the EMC information provided below.

Guidance and manufacturer's declaration - electromagnetic emissions		
Pursuant to IEC 60601-1-2:2014 - Medical electrical equipment - Part 1-2: General requirements for basic safety and essential performance - Collateral Standard: Electromagnetic disturbances		
The equipment is intended for use in the electromagnetic environment specified below. The customer or the user of the equipment should assure that it is used in such an environment.		
Emissions test	Compliance	Electromagnetic environment - guidance
RF emissions CISPR 11	Group 1	The equipment uses RF energy only for its internal functions. Therefore, the RF emissions are very low and are not likely to cause any interference in nearby electronic equipment.
RF emissions CISPR 11	Class B	The equipment is suitable for use in all establishments, including domestic establishments and those directly connected to the public low voltage power supply network that supplies buildings used for domestic purposes.
Harmonic emissions IEC 61000-3-2	Class A	
Voltage fluctuations/ flicker emissions IEC 61000-3-3	The equipment is not likely to cause any flicker, as the current flow is approx. constant after the start up.	

Guidance and manufacturer's declaration - electromagnetic immunity			
Pursuant to IEC 60601-1-2:2014 - Medical electrical equipment - Part 1-2: General requirements for basic safety and essential performance - Collateral Standard: Electromagnetic disturbances			
The equipment is intended for use in the electromagnetic environment specified below. The customer or the user of the equipment should assure that it is used in such an environment.			
Immunity test	IEC 60601-1-2 test level	Compliance level	Electromagnetic environment - guidance
Electrostatic discharge (ESD) IEC 61000-4-2	±8 kV contact ±15 kV air	±8 kV contact ±15 kV air	Floors should be wood, concrete or ceramic tile. If floors are covered with synthetic material, the relative humidity should be at least 30%.
Electrical fast transient/burst IEC 61000-4-4	±2 kV for power supply lines ±1 kV for input/output lines	±2 kV 100 kHz repetition frequency Applied to mains connection	Mains power quality should be that of a typical commercial or hospital environment.
Surge IEC 61000-4-5	±1 kV differential mode ±2 kV common mode	±1 kV L-N ±2 kV L-PE; N-PE Applied to mains connection	Mains power quality should be that of a typical commercial or hospital environment.
Voltage dips, short interruption, and voltage variations on power supply input lines IEC 60601-4-11	$U_T=0\%$, 0,5 cycle (at 0, 45, 90, 135, 180, 225, 270 and 315°) $U_T=0\%$, 1 cycle $U_T=70\%$ 25/30 cycles (at 0°) $U_T=0\%$, 250/300 cycles	$U_T=>95\%$, 0,5 cycle (at 0, 45, 90, 135, 180, 225, 270 and 315°) $U_T=>95\%$, 1 cycle $U_T=70\%$ (30% dipp U_T), 25(50Hz)/30(60Hz) cycles (at 0°) $U_T=>95\%$, 250(50Hz)/300(60Hz) cycle	Mains power quality should be that of a typical commercial or hospital environment. The device stops and restarts automatically at each dip. In this case does not occur unacceptable pressure drop.
Power frequency (50/60 Hz) IEC 61000-4-8	N/A	N/A	The equipment does not contain magnetically sensitive components or circuits.
NOTE: U_T is the A.C. mains voltage prior to application of the test level.			

Guidance and manufacturer's declaration - electromagnetic immunity			
Pursuant to IEC 60601-1-2:2014 - Medical electrical equipment - Part 1-2: General requirements for basic safety and essential performance - Collateral Standard: Electromagnetic disturbances			
The equipment is intended for use in the electromagnetic environment specified below. The customer or the user of the equipment should assure that it is used in such an environment.			
Immunity test	IEC 60601-1-2 test level	Compliance level	Electromagnetic environment - guidance
Conducted RF IEC 61000-4-6	3 Vrms 150 kHz to 80MHz	3 Vrms	<p>Portable and mobile RF communications equipment should be used no closer to any part of the equipment, including cables, than the recommended separation distance calculated from the equation applicable to the frequency of the transmitter.</p> <p>Recommended separation distance</p> $d=1,2\sqrt{P}$ $d=1,2\sqrt{P}, 80 \text{ MHz to } 800 \text{ MHz}$ $d=2,3\sqrt{P}, 800 \text{ MHz to } 2,7 \text{ GHz}$ <p>where P is the maximum output power rating of the transmitter in watts (W) according to the transmitter manufacturer and d is the recommended separation distance in metres (m).</p> <p>Field strengths from fixed RF transmitters, as determined by an electromagnetic site survey ^a, should be less than the compliance level in each frequency range ^b. Interference may occur in the vicinity of equipment marked with the following symbol:</p> 
Radiated RF IEC 61000-4-3	3 V/m 80 MHz to 2,7 GHz	3 V/m	
Proximity fields from RF wireless communications equipment IEC 61000-4-3	9 to 28 V/m 15 specific frequencies (380 to 5800 MHz)	9 to 28 V/m 15 specific frequencies (380 to 5800 MHz)	
<p>NOTE 1 At 80 MHz and 800 MHz, the higher frequency range applies.</p> <p>NOTE 2 These guidelines may not apply in all situations. Electromagnetic propagation is affected by absorption and reflection from structures, objects and people.</p> <p>^a Field strengths from fixed transmitters, such as base stations for radio (cellular/cordless) telephones and land mobile radios, amateur radio, AM and FM radio broadcast and TV broadcast cannot be predicted theoretically with accuracy. To assess the electromagnetic environment due to fixed RF transmitters, an electromagnetic site survey should be considered. If the measured field strength in the location in which the equipment is used exceeds the applicable RF compliance level above, the equipment should be observed to verify normal operation. If abnormal performance is observed, additional measures may be necessary, such as re-orienting or relocating the equipment.</p> <p>^b Over the frequency range 150 kHz to 80 kHz, field strengths should be less than 3 V/m.</p>			

INSTALLATION



Risk of incorrect installation.

Only a qualified technician may install the compressor and place it into operation for the first time. Their duty is to train operating personnel on the use and maintenance of the equipment. An entry is made in the equipment installation record to certify installation and operator training. (see the Annex chapter)

10. INSTALLATION CONDITIONS

- The compressor may only be installed and operating in dry, well-ventilated and clean environments under the conditions specified in the Technical Data chapter.



Risk of damage to the device.

The equipment may not be operated outdoors or in otherwise wet or damp environments.



Risk of explosion.

Do not use the equipment in the presence of explosive gases, dust or combustible liquids.



Burn or fire hazard! Caution! Hot surface!

Portions of the air pump may be hot and reach hazardous temperatures during compressor operation that may harm materials or operating staff.

- The compressor must be installed so that it is accessible at all times for operating and maintenance. Please ensure that the nameplate on the device is readily accessible.
- The compressor must stand on a flat, sufficiently stable base (be aware of the weight of the compressor, see the Technical Data chapter).
- Any other use or use outside this framework is not considered as intended use. The manufacturer is not responsible for any damages arising from such use. The operator/user assumes all risks



High temperature hazard.

The placement of air flow impediments upstream or downstream of the cooler is prohibited. The temperature of internal and external parts of the cooler may be hot and reach hazardous temperatures.



You may notice a “new product” odour when you first place the product into service (for a short period of time). This odour is temporary and does not impede the normal use of the product. Ensure the space is properly ventilated after installation.

11. COMPRESSOR ASSEMBLY

11.1. Handling and releasing the compressor

- Unpack the compressor from the packaging.
- Position the compressor at the site of installation. (Fig. 4)

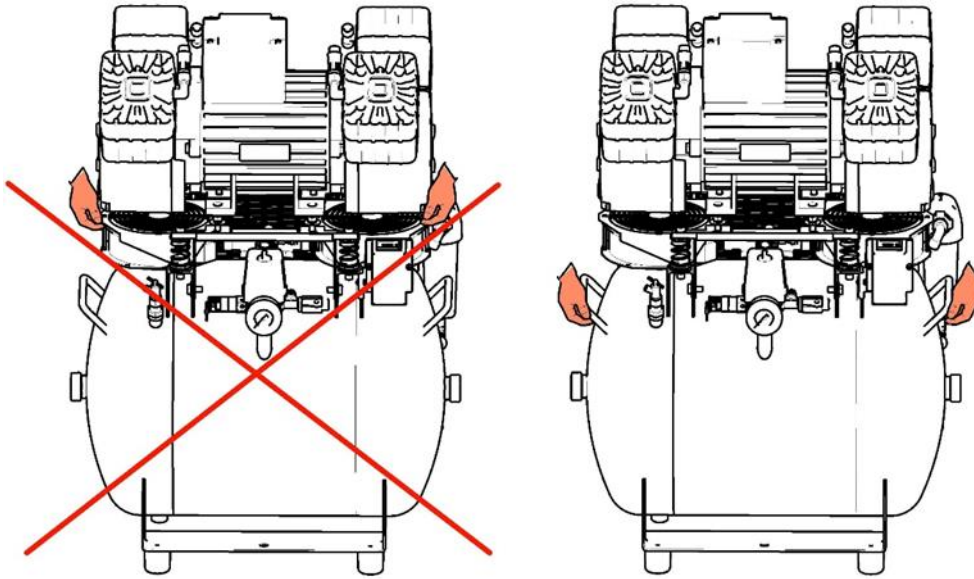


Use the handles on the compressor to move the compressor as needed. Do not use other parts of the compressor (the air pump, etc.) for grip

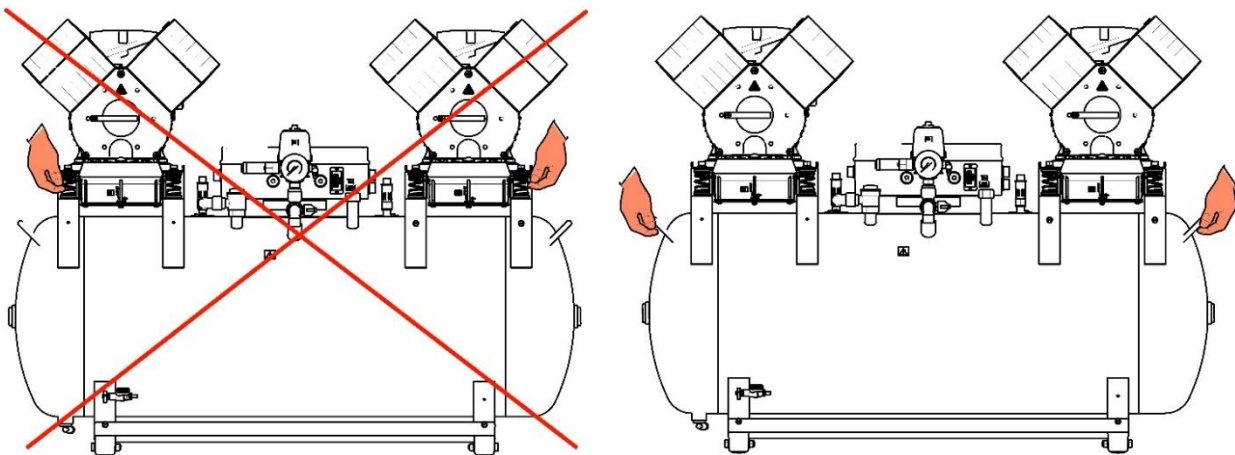


At least two persons are needed to handle the equipment.

Fig. 4: Handling the compressor



DK50 4VR/50



DK50 2x4VR/110

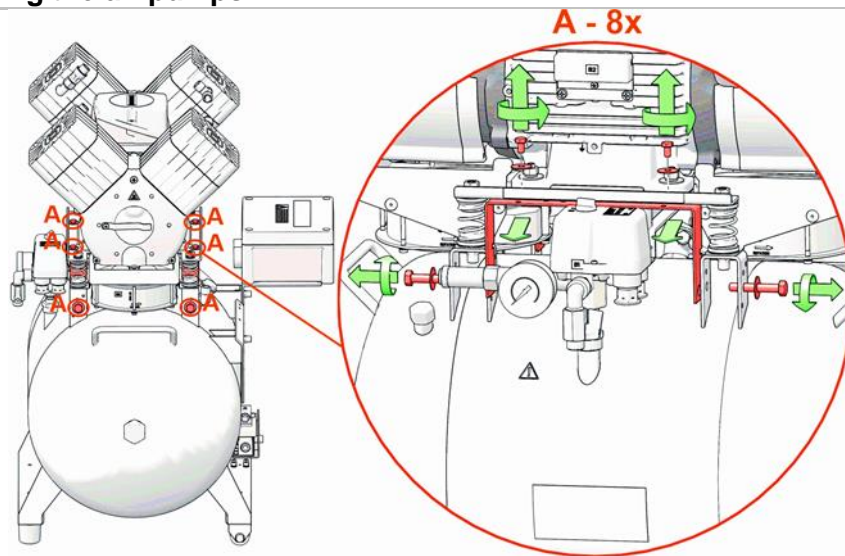
- Remove the transport stabilisers from the air pumps (Fig. 5).



Prior to installation, ensure that the compressor is free of all transport packaging and stabilizers to avoid any risk of damage to the product.

Remove all devices used to secure the aggregates once the compressor is installed and levelled at the site of final installation.

Fig. 5: Releasing the air pumps



DK50 4VR/50



DK50 2x4VR/110

11.2. Placement of the compressor in the cabinet

DK50 4VR/50S (Fig. 3-A):

Disassembly cabinet door

- Remove the door held by 2 screws and disconnect the earthing lead.

Compressor placement

- Remove the connecting strip (30) in front of the cabinet.
- Insert the compressor into the cabinet using the handle (26), place the connecting strip in front of the cabinet and adjust the position of the compressor so that the two “V” notches on the connecting strip (30) align with the compressor legs. This puts the compressor in the right position inside the cabinet.
- Insert the compressor with dryer into the cabinet so that the dryer fan fits into the cooling tunnel opening in the cabinet. **WARNING**, do not push the compressor all the way against the stop. For dryer versions of the compressor, the flow of cooling air into the cooler will be restricted and it may permanently damage the dryer.

- Place the connecting strip (30) in its original position in the lower part of the cabinet.

Cabinet door installation

- Align the door with the cabinet, connect the earthing lead to the door and mount the door to the cabinet using 2 fasteners.



Do not push the compressor all the way to the back of the cabinet as it may permanently damage the dryer.

DK50 2x4VR/110S (Fig. 3-B):

Opening the upper cover

- Open the lock by turning with a screwdriver as shown in the pictogram and pick up using the handle.
- The gas springs will keep the cover open.



Be careful not to pinch your fingers when closing the cover on the cabinet.

Always lock with the quick releases after closing the cover on the cabinet!

Removal of the front panel on the cabinet

- Remove the door held by 4 (M5) fasteners and disconnect the earthing lead.

Compressor placement

- Insert the compressor with dryer into the cabinet so that the dryer fan fits into the cooling tunnel opening in the cabinet. Check the positioning of the compressor in the cabinet against Fig. 6



Do not push the compressor all the way to the back of the cabinet as it may permanently damage the dryer.

Cabinet door installation

- Attach the door to the cabinet and connect the earthing lead to the door. Install the door on the cabinet and mount using the 4 fasteners.

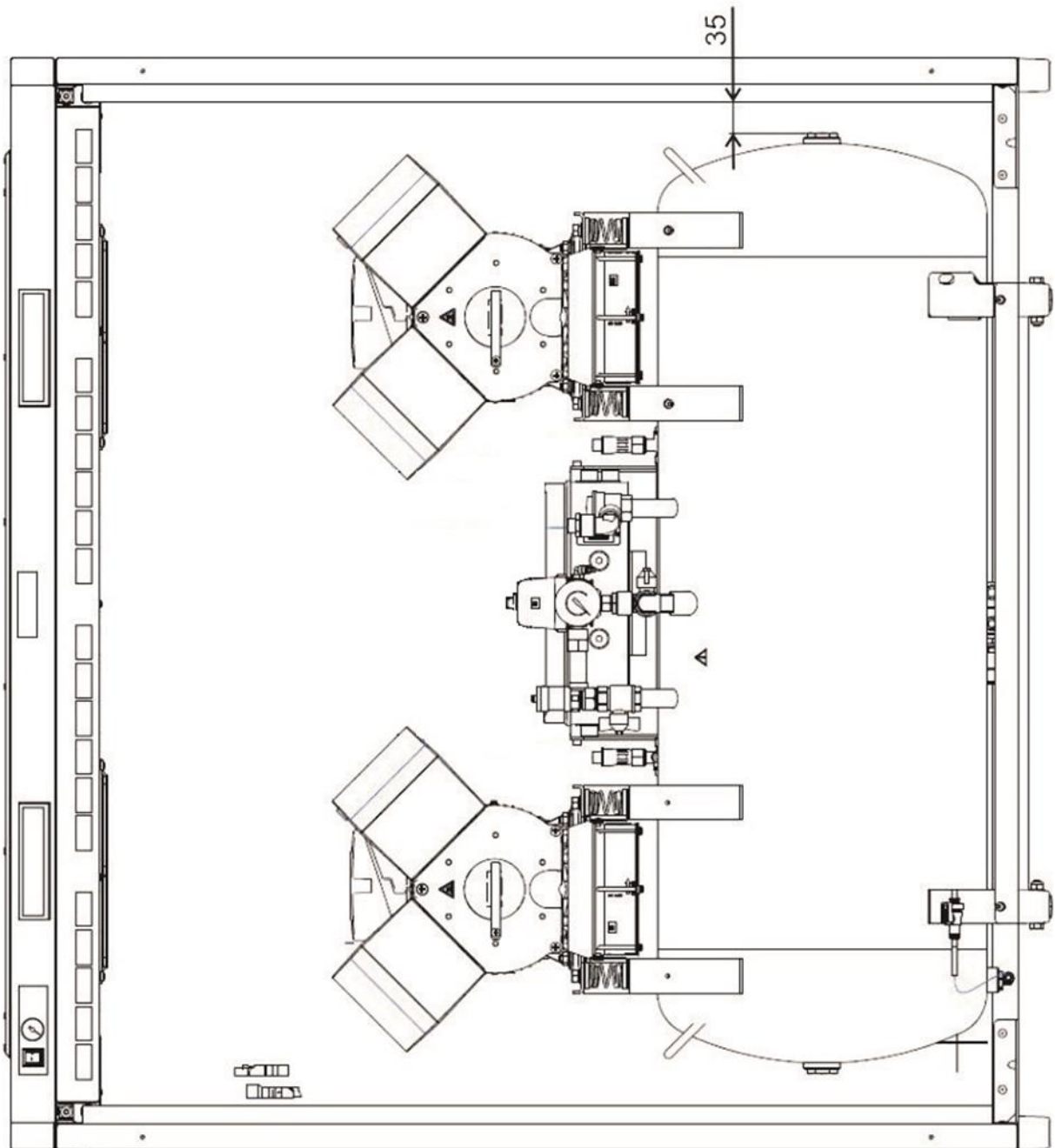


Fig. 6: Placement of the compressor in the cabinet

11.3. Valve installation on the condensate drain from the cabinet (DK50 2x4VR/110)

For cabinet-mounted compressors, install the threaded fitting with the valve (1) into the hole in the side of the cabinet and install the PA $\text{\O} 8 / \text{\O} 6$ hose (2). Insert the other side of the hose into the fitting (4) beneath the air tank from which the valve (3) and hose are removed.

Use a $\text{\O}16.5$ plug to close off the hole on the other side of the cabinet.

The fitting with the valve are standard parts delivered with the cabinet. The condensate drain valve may be installed on either side of the compressor.

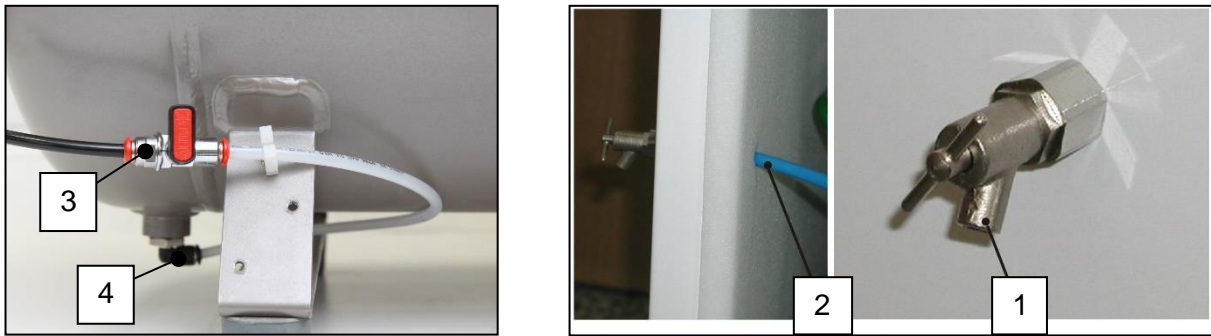


Fig. 7: Valve installation on the condensate drain from the cabinet (DK50 2x4VR/110)



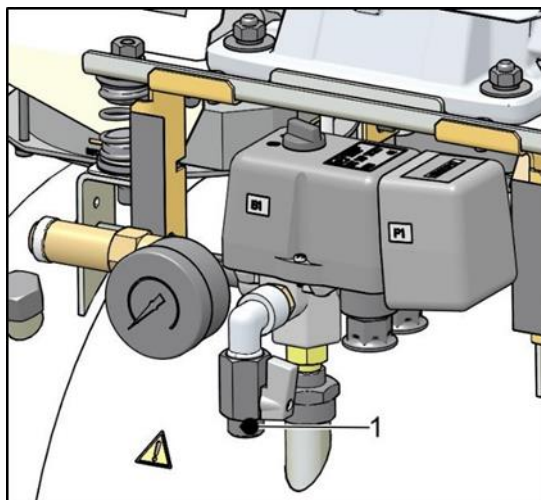
Use a screwdriver to disconnect the cabinet connector when disassembling the compressor!

12. PNEUMATIC CONNECTION

12.1. Connecting to the compressed air outlet

- Route the pressure hose from the compressed air outlet (1) to the connected equipment.
- Route the pressure hose through the opening in the rear wall of the cabinet for cabinet-mounted compressors.
- A G 3/8" (DK50 4VR/50), G1/2" (DK50 2x4VR/110) connection is installed.

DK50 4VR/50



DK50 2x4VR/110

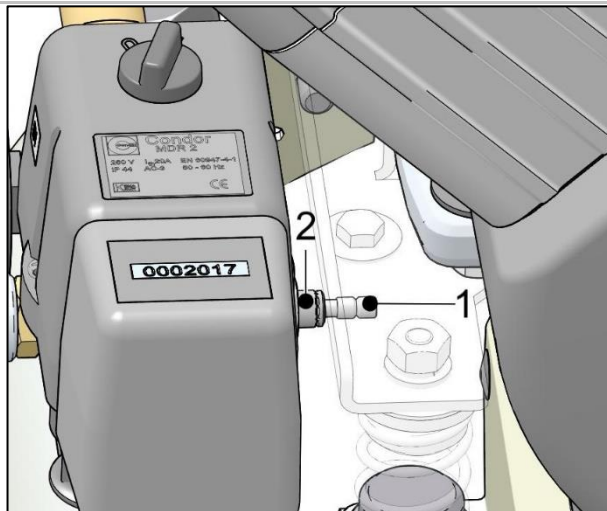


Fig. 8: Connecting to the compressed air outlet

12.2. Connecting the cabinet pressure gauge to the compressor

- Remove the plug (1) from the threads (2) on the pneumatic block of the compressor.
- Connect the cabinet pressure gauge hose to the threaded fitting.

DK50 4VR/50



DK50 2x4VR/110

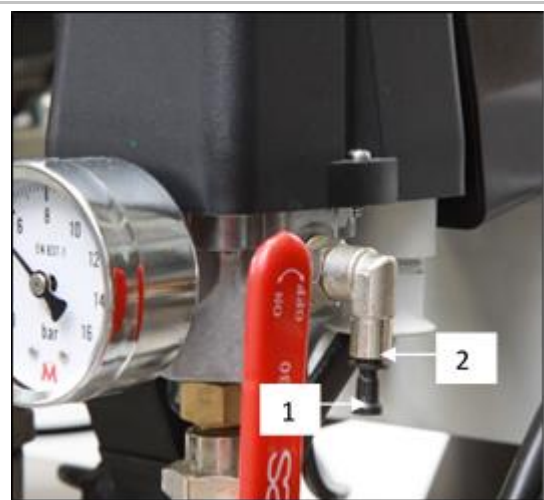


Fig. 9: Connecting the cabinet pressure gauge to the compressor

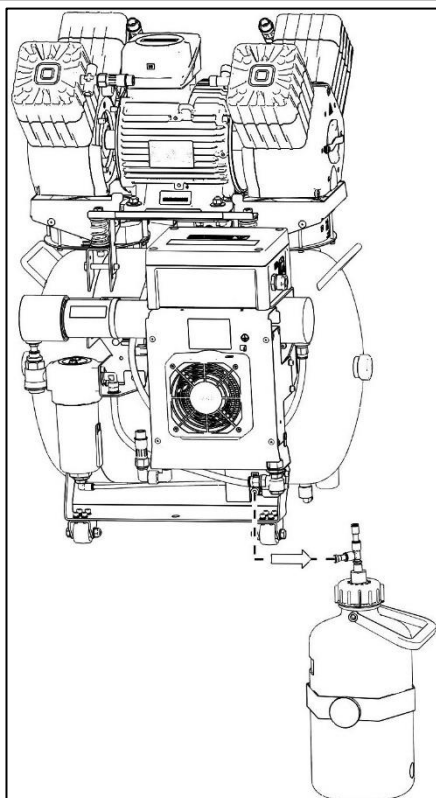
Condensate outlet from dryer



Do not connect the condensate drain directly to a waste drain! Passers-by may be injured!

- Connect a hose to the outlet from the automatic condensate drain to drain piping or to the provided condensate collection vessel.

DK50 4VR/50



DK50 2x4VR/110

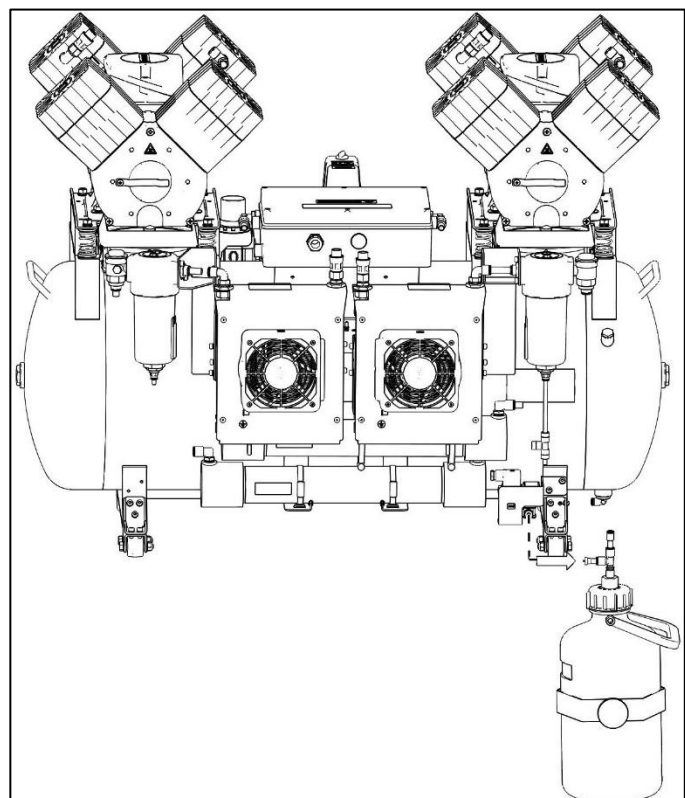


Fig. 10: Condensate drain

12.3. Routing hoses and electrical cables in cabinet-mounted compressors

- Route the hose and electrical cables through the opening in the rear wall of the cabinet for compressor models with a dryer.



Risk of damage to pneumatic components.

Air hoses must not be broken.

13. ELECTRICAL CONNECTION

- The product is delivered with a cord equipped with a plug with earthing pin.
- With cabinet-mounted compressors, route the power cord through the opening in the back wall of the cabinet.
- Keep the socket easily accessible to ensure that the device can be safely disconnected from the mains.
- Connection to the power distribution cabinet must be max.16 A



Risk of electric shock.

It is necessary to follow all local electro technical regulations. The mains voltage and frequency must comply with the data stated on the device label.



Risk of fire and electric shock.

Electrical cord must not be broken.



Risk of fire and electric shock.

Electrical cable must not be in contact with hot compressor components.

- Connect the pin for equipotential bonding 6Ø mm (1) to the electrical circuit using the defined method under valid electrical engineering regulations
- The socket for equipotential bonding (2) is an accessory and is not provided in the basic package



Fig. 11 :Equipotential bonding

- Mount the connector of the grounding conductor on the door and screw on the cabinet.

Power supply connection

Supply voltage	Electric wire type
230V/50 (60) Hz	3Gx1.5x4000
400V/50 (60) Hz	5Gx1.5x4000

13.1. Connecting a compressor not installed in a cabinet

- Insert the mains plug into a rated mains socket.
- The compressor is ready for operation.

13.2. Connecting a compressor installed in a cabinet

- Route the mains plug through the opening in the rear wall of the cabinet for cabinet-mounted compressors. (Fig. 12)
- Connect the cabinet electrically to the compressor by inserting the provided power cord with connector into an outlet. (Fig. 13)
- Disconnect the cabinet electrically from the compressor by pulling the connector from the outlet while the latch is released.



Fig. 12: Opening in the rear wall of the cabinet



Fig. 13: Connect the cabinet to the compressor

14. COMMISSIONING

- Make sure all transport stabilizers were removed.
- Check that all compressed air hose connections are correct. (see chap. 12).
- Check correct connection to the mains (see chap. 13).
- Check the circuit breaker position, it must be in the "I" position. If the main switch (2) is in the "0" position, turn it to the "I" position (Fig. 14).
- For cabinet-mounted compressors, turn the main switch (4) on the front side of the cabinet into the "I" position; a green indicator indicates the equipment is in operation. (Fig. 14).
- Check connection of the cabinet connector to the compressor (Fig. 13).

- Check connection of the cabinet manometer hose to the pneumatic block of the compressor (Fig. 9).
- Check to ensure the hose from the automatic condensate drain is connected to the condensate collection vessel. (Fig. 10).

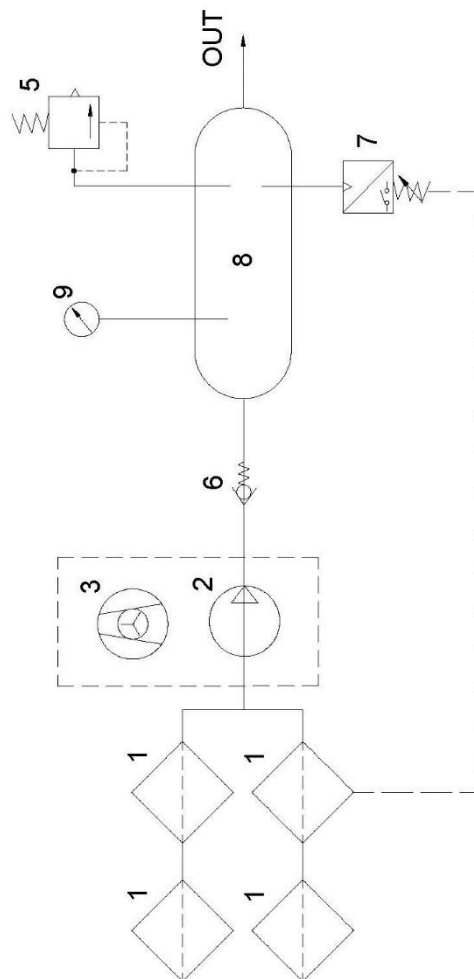


The compressor is not equipped with a backup power supply.

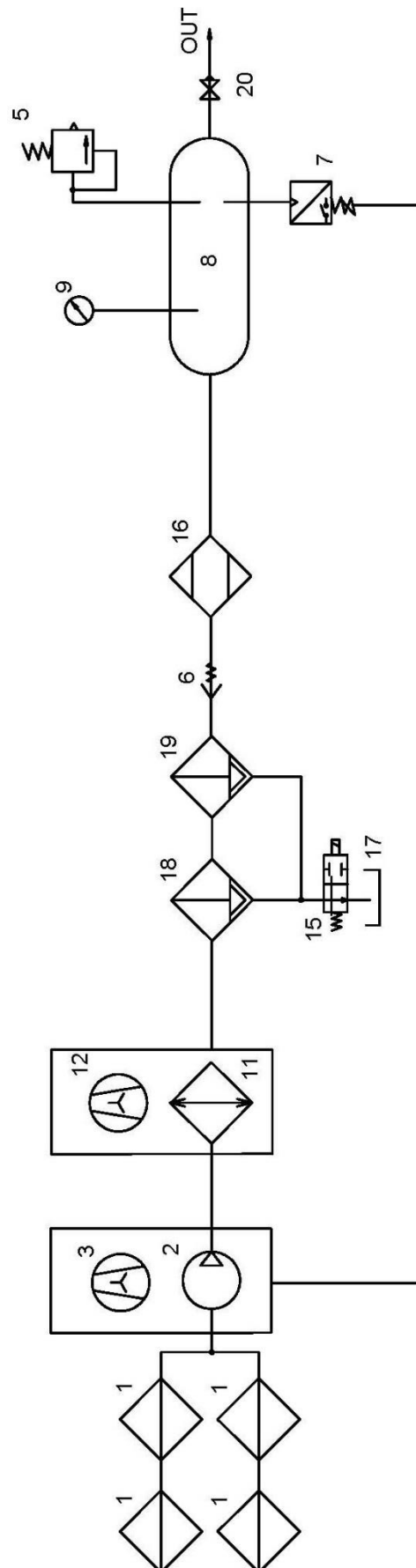
15. PNEUMATIC AND ELECTRICAL DIAGRAMS

15.1. Pneumatic diagram

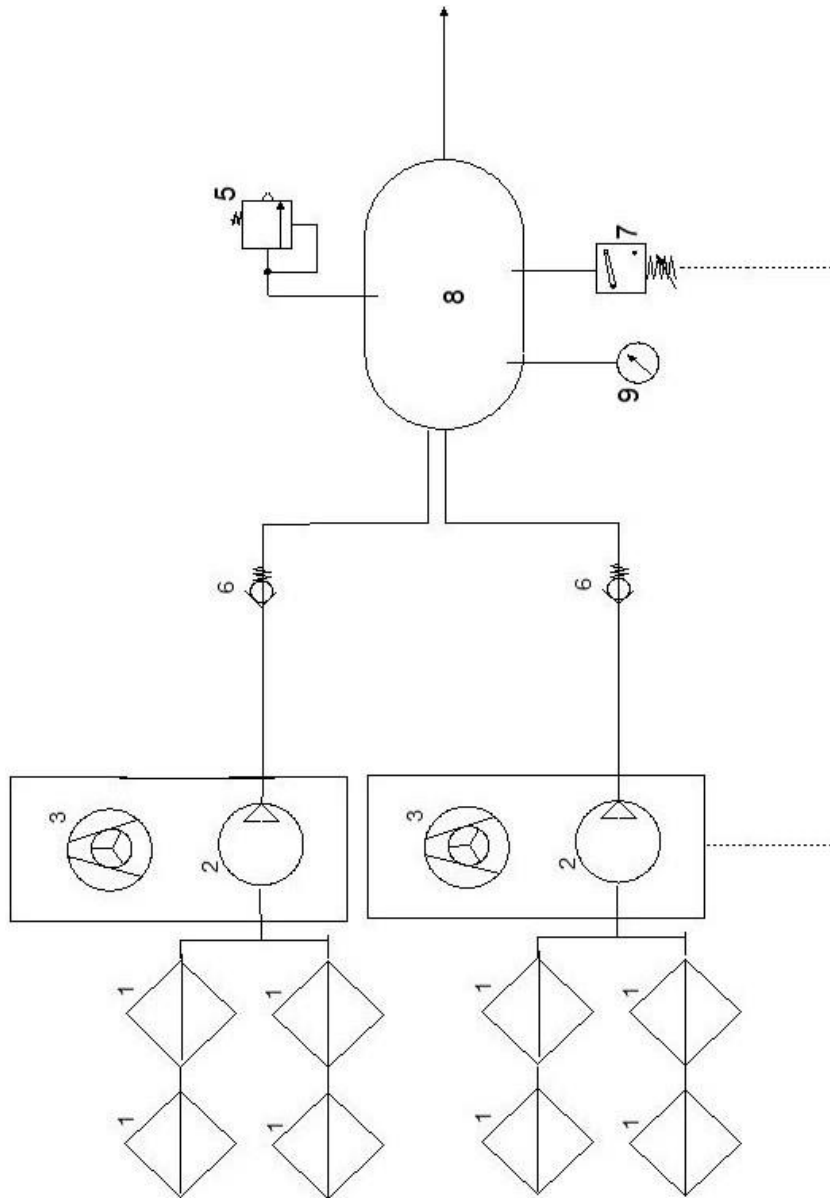
DK50 4V/50



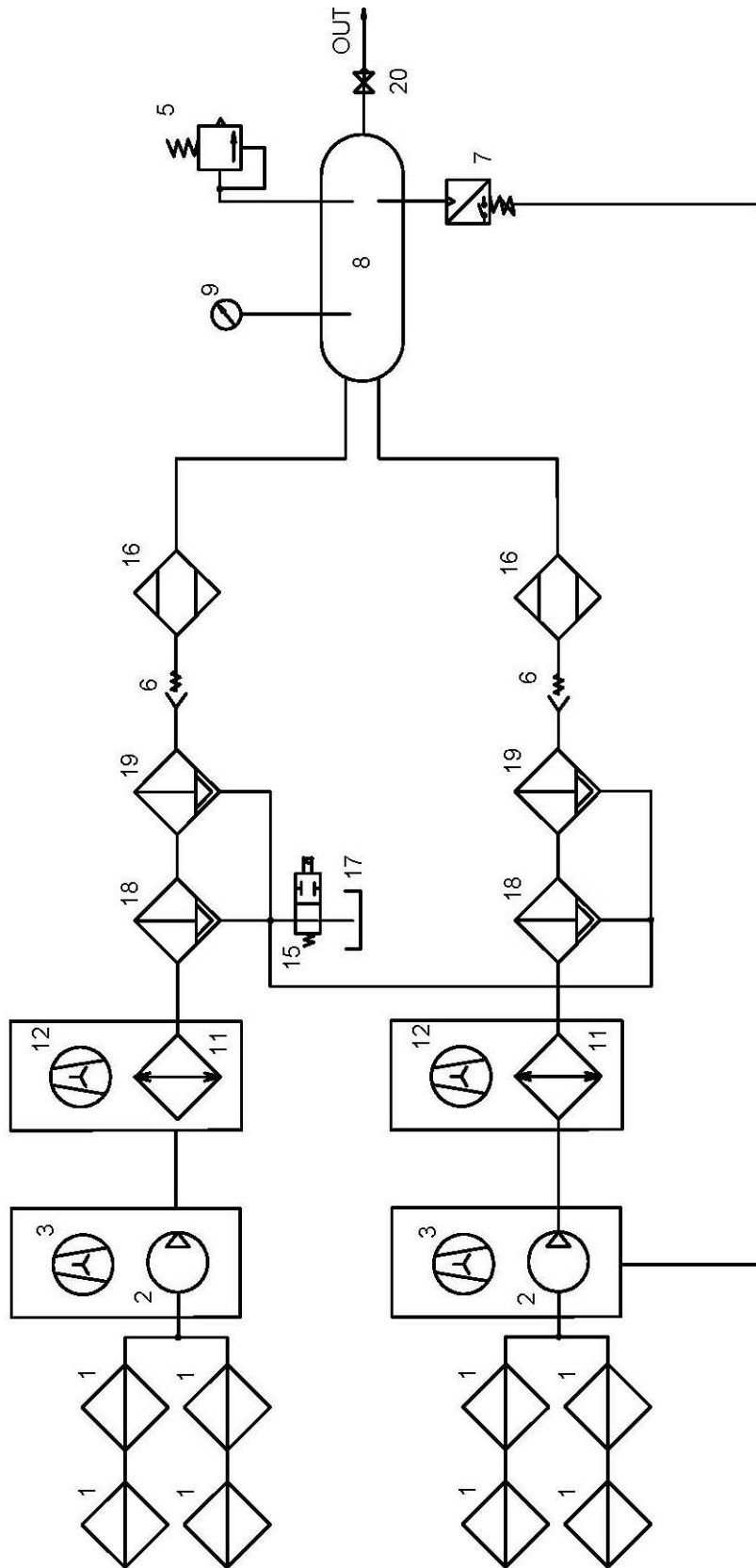
DK50 4V/50/M



DK50 2x4VR/110



DK50 2x4VR/110/M



Description to pneumatic diagram:

- | | |
|--------------------|------------------------------------|
| 1 Inlet filter | 11 Cooler |
| 2 Air pump | 12 Cooler fan |
| 3 Fan | 13 – |
| 4 - | 14 – |
| 5 Safety valve | 15 Condensate drain solenoid valve |
| 6 Non-return valve | 16 Dryer |
| 7 Pressure switch | 17 Condensate collection vessel |
| 8 Air tank | 18 Filter |
| 9 Pressre gauge | 19 Microfilter |
| 10 - | |

15.2. Electrical diagrams

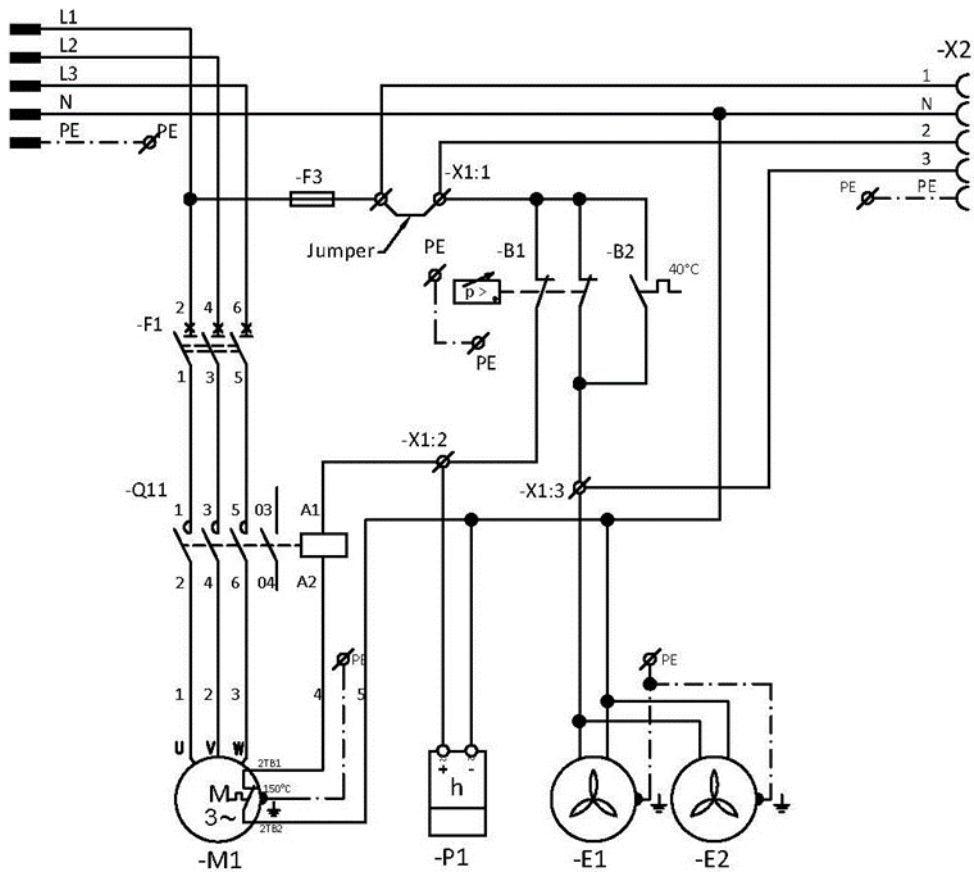
DK50 4VR/50

6 - 8 bar, 8 – 10 bar

3/N/PE-400V, 50Hz

ELEKTRIC MAIN TN-S [TN-C-S]

ELEKTRIC OBJECT OF 1st. CAT.

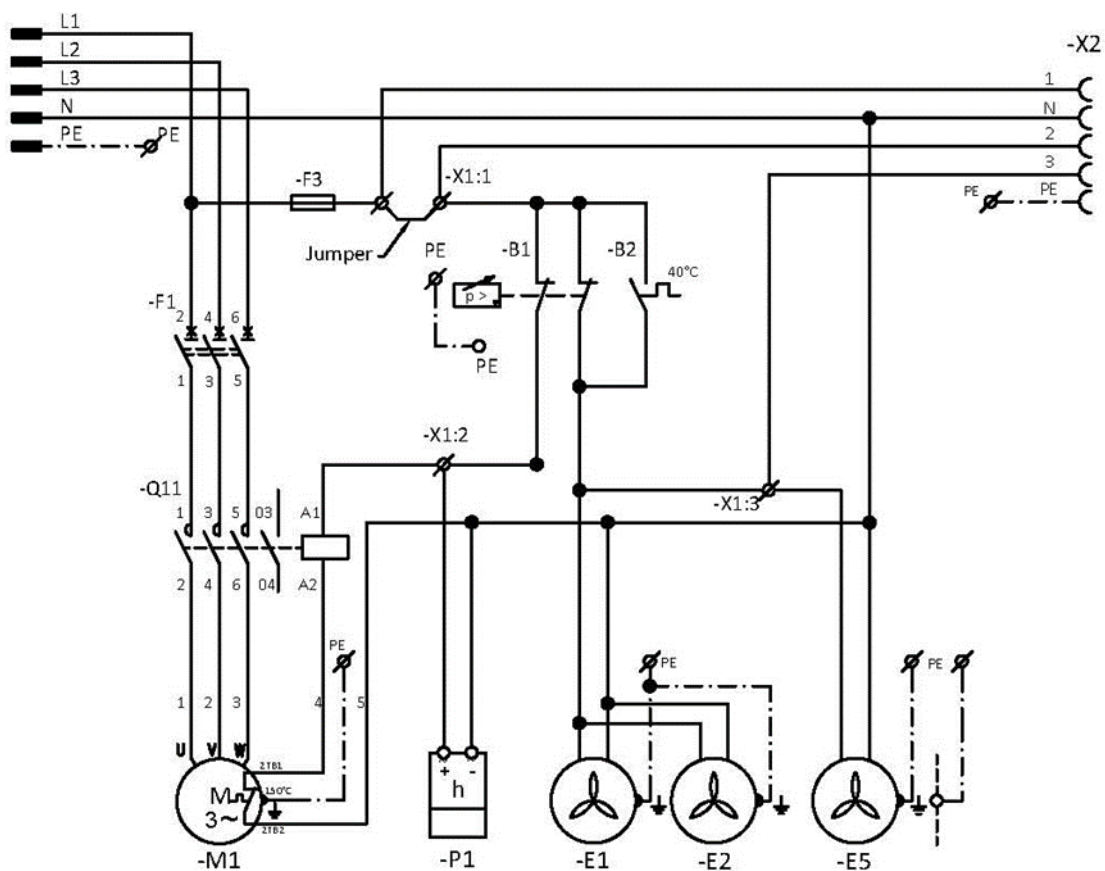


DK50 4VR/50/M

3/N/PE~400V, 50Hz

ELEKTRIC MAIN TN-S [TN-C-S]

ELEKTRIC OBJECT OF 1st. CAT.



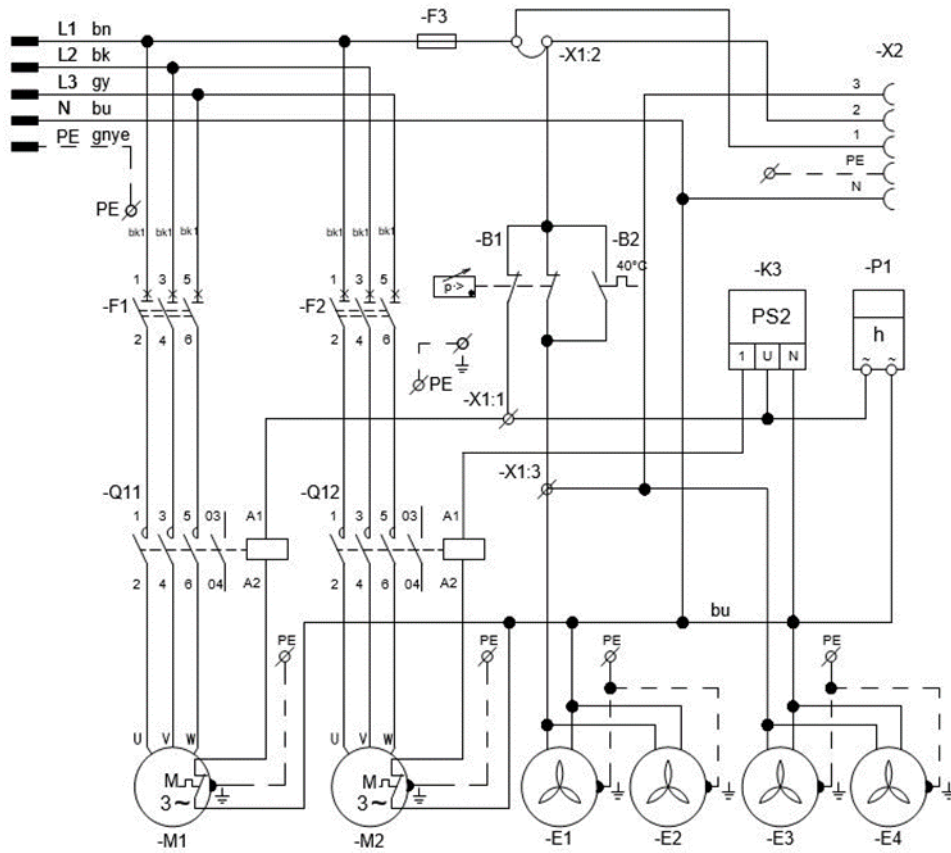
DK50 2x4VR/110

6 - 8 bar, 8 - 10 bar

3/N/PE~400V, 50Hz

ELEKTRIC MAIN TN-S [TN-C-S]

ELEKTRIC OBJECT OF 1st. CAT.



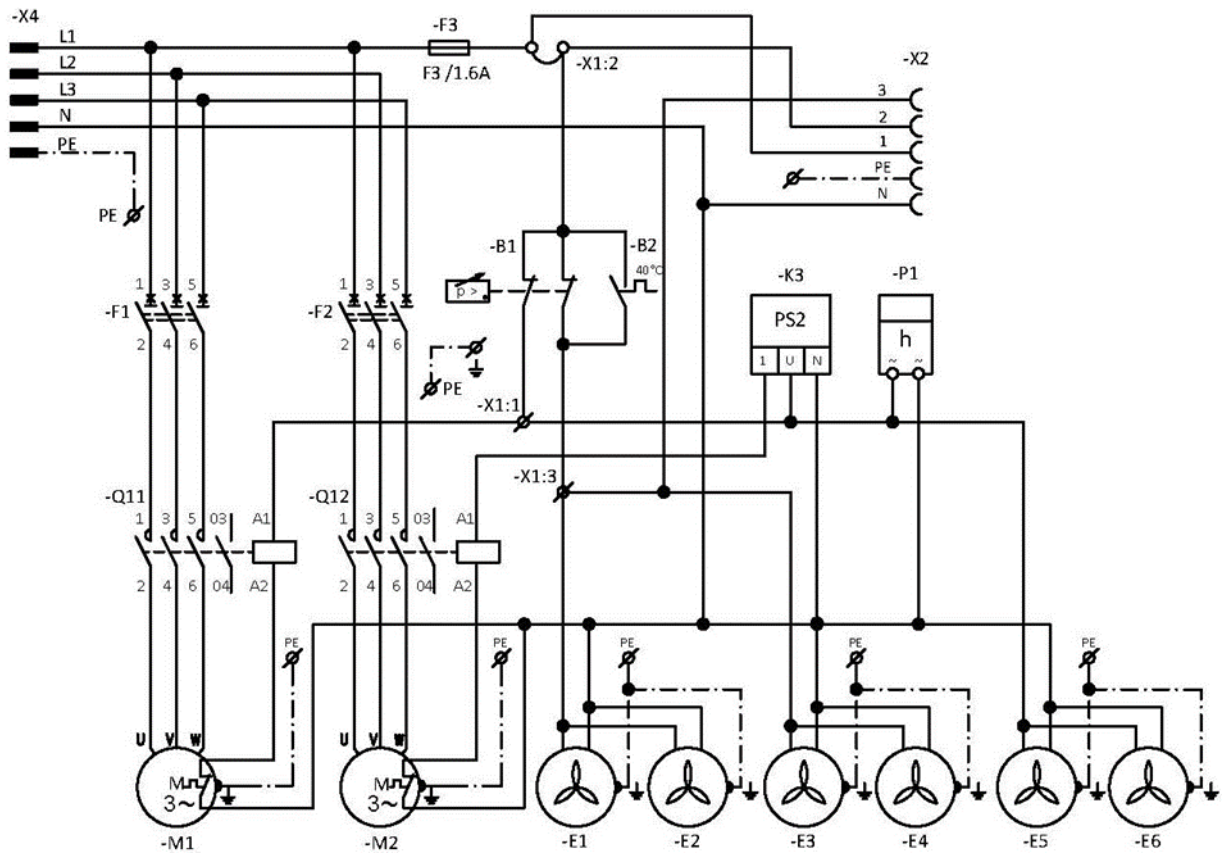
DK50 2x4VR/110/M

6 - 8 bar, 8 - 10 bar

3/N/PE~400V, 50Hz

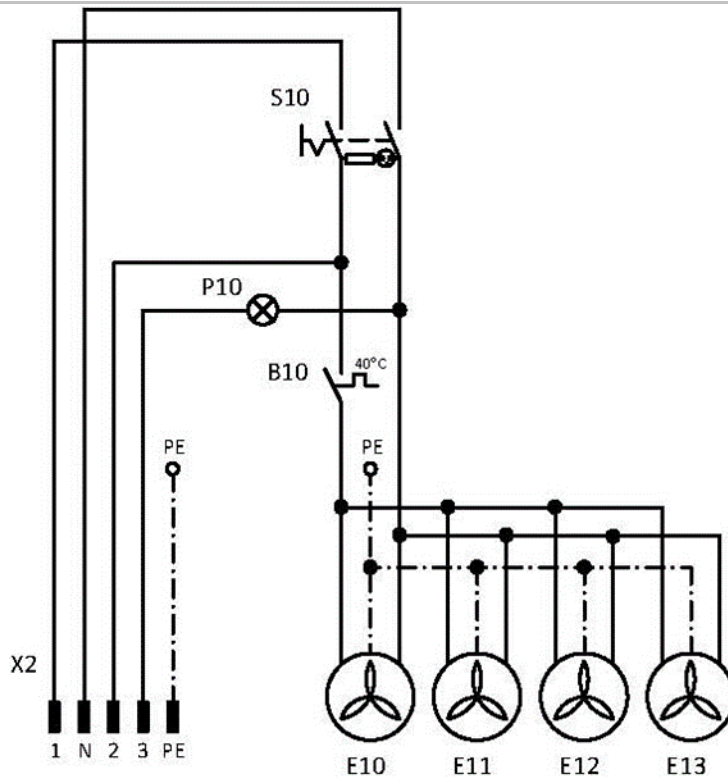
ELEKTRIC MAIN TN-S [TN-C-S]

ELEKTRIC OBJECT OF 1st. CAT.

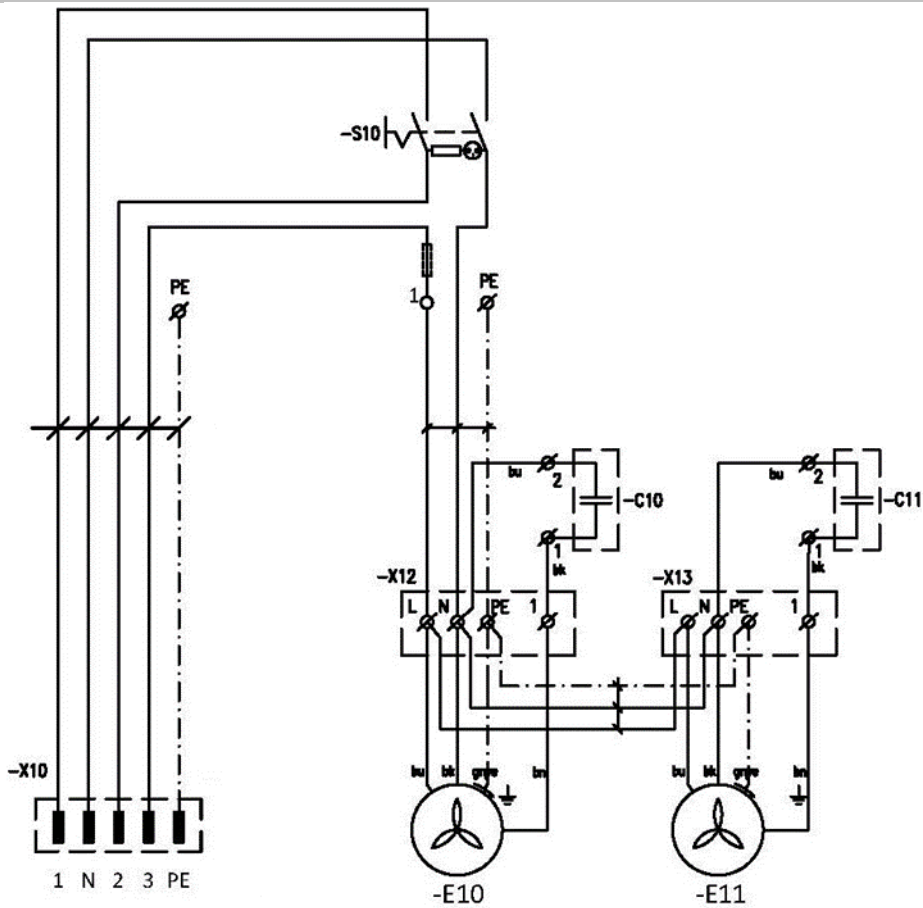


Compressor cabinet

1/N/PE~230V, 50/60Hz
 ELEKTRIC OBJECT OF 1st. CAT.



DK50 4VR/50



DK50 2x4VR/110

Description to electrical diagrams:

M1, M2	Compressor motor	X1	Terminal box
E1 – E4	Compressor fan	X2	Connector
F3	Fuse	M11, M12	Dyer solenoid valve
F1, F2	Breaker	E5 – E8	Dryer fan
K3	PCB	S10	Switch
B1	Pressure switch	E10-13	Cabinet fan
B2	Temperature switch	X10, X11	Connector
Q11,12	Contactora	P10	LED-SERVIS
P1	Hour counter	B10	Cabinet temperature switch

OPERATION

ONLY TRAINED PERSONNEL MAY OPERATE THE EQUIPMENT!



Risk of electric shock.

In case of emergency, disconnect the compressor from the mains (pull out the mains plug).



Burn or fire hazard.

Portions of the air pump may be hot and reach hazardous temperatures during compressor operation that may harm materials or operating staff.



Warning – compressor is controlled automatically.

Automatic start-up. When pressure in the pressure tank drops to switch-on pressure, the compressor automatically switches on. The compressor automatically switches off, when pressure in the air tank reaches the switch-off pressure.



Potential for damage to pneumatic components.

The working pressure settings for the pressure switch set by the manufacturer cannot be changed. Compressor operation at a working pressure below the switching pressure indicates high air usage (see the Troubleshooting chapter).



Required drying performance can only be achieved when following the defined operating conditions.

Drying performance will decline and the achieved dew point will drop if the dryer is operated at any pressure below the minimum working pressure.



During prolonged operation of the compressor, the ambient temperature around the compressor may increase to over 40 °C. At this point the cooling fan automatically switches on. The fan switches off once the space is cooled to around 32 °C.

16. SWITCHING ON THE COMPRESSOR

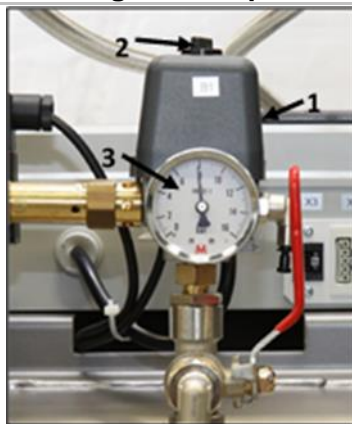
Start the compressor (without a cabinet) at the pressure switch (1) by turning the switch (2) to position "I." This starts the compressor and fills the tank to the switching off pressure, which then shuts off the compressor.

Start the compressor (with a cabinet) at the switch (4) on the front side of the cabinet, the indicator will turn green. This starts the compressor and fills the tank to the switching off pressure, which then shuts off the compressor.

The compressor operates in automatic mode, switched on and off by the pressure switch, depending on compressed air consumption.

Check the values of switch-on and switch-off pressure using the pressure gauge (3). Tolerance of $\pm 10\%$ is acceptable. Pressure in the air tank must not exceed the allowed operating pressure.

Fig. 14: Switching the compressor



Risk of damage to pneumatic parts.

The pressure switch (1) was set up by the manufacturer and any other changes to its settings may be performed only by a qualified technician trained by the manufacturer.

17. SWITCHING OFF THE COMPRESSOR

- Switching off the compressor due to service or any other reason shall be performed using the pressure switch (1) by turning the switch (2) to position „0“ (Fig. 14) and pulling out the mains plug from the socket. This disconnects the compressor from the mains supply.
- Vent the pressure in the air tank to zero by opening the drain valve.

PRODUCT MAINTENANCE

18. PRODUCT MAINTENANCE



The operator should carry out device checks regularly in the intervals defined by applicable regulations. Test results must be recorded.

The equipment has been designed and manufactured to keep maintenance to a minimum. The following work must be performed to preserve the proper and reliable operation of the compressor.



Unauthorised interference hazard.

Repair work outside the framework of standard maintenance (see Chapter 18.1) may only be performed by a qualified technician (an organisation authorized by the manufacturer) or the manufacturer's customer service.

Standard maintenance work (see Chapter 18.1) may only be performed by the operator's trained personnel.

Only use manufacturer-approved replacement parts and accessories.



Danger of injury or equipment damage.

Prior to commencing compressor maintenance, it is necessary to:

- **check if it is possible to disconnect the compressor from the appliance in order to avoid any risk of injury to the person using the appliance or other material damage;**
- **turn off the compressor;**
- **disconnect it from the mains (pulling the cord out of the mains socket);**
- **vent the compressed air from the air tank.**



Venting compressed air poses an injury hazard.

Wear eye protection, i.e. goggles, when venting compressed air from the compressed air circuit (air tank) and from the dryer chamber.



Burn hazard.

When the compressor is running or shortly thereafter, certain portions of the air pump, the compressor's compressed air system, parts of the dryer and connecting hoses between the compressor and dryer may be hot - do not touch these components.



The removed grounding conductor during service must be connected back to the original position after completing the service.

- For any maintenance or repair work, the compressor may be removed from the cabinet by pulling it from the cabinet (on rolling casters as much as the cord between the compressor and the cabinet allows). (see chap. 18) The required maintenance or repair work may then be performed.
- If the cord between the compressor and the cabinet becomes disconnected (by pulling the mains plug, see chap. 13.2), the compressor shall not be functional. In order to bring the compressor into function again, please follow, see chap. 13.2 or 18.10 or 18.11.

18.1. Maintenance intervals

Time interval	50 Hz	Once a day	Once a week	Once a year	Once every 2 years	2000 h	4000 h	6000 h	8000 h	10000 h	12000 h	20000 h	Chap. replacement	Set of replacement parts	Perform ed by	
															operator	qualified technician
Check of product operation		x											18.2	-		
Drain condensate from air tank – at high humidity		x											18.5	-		
Drain condensate from the air tank - at normal humidity			x										18.5	-		
Check of product function			x										9	-		
Check of pneumatic connections leakage and device inspection				x									18.3	-		
Inspection of electrical connections				x									18.4	-		
Check of cooler and fan				x									18.9	-		
Check of safety valve				x									18.6	-		
Replacement of pump inlet filter and pre-filter 4VR ^{a)}					x									025200139-000		
								x					18.7	025200150-000		

a) data is in hours, if not available, data is in years

b) check the operation of the relief valve on the dryer after every dryer malfunction

c) whichever occurs first: 4 years/8000 hours

d) whichever occurs first: 8 years / 20000 hours

Time interval	50 Hz	Once a day	Once a week	Once a year	Once every 2 years	2000 h	4000 h	6000 h	8000 h	10000 h	12000 h	16000 h	20000 h	24000 h	Chap. replacement	Set of replacement parts	Perform ed by
Conduct a "repeated test" per EN 62353					x										18	-	qualified technician
Filter element replacement in the dryer filter				x											18.8	025200305-000	qualified technician

- a) data is in hours, if not available, data is in years
- b) check the operation of the relief valve on the dryer after every dryer malfunction
- c) whichever occurs first: 4 years / 8000 hours
- d) whichever occurs first: 8 years / 20000 hours

18.2. Check of product operation

- Check air pump condition – the air pumps should be operating normally without excessive vibration or noise. Troubleshoot any problem or call in service personnel if trouble is detected.
- Visually inspect fan operation – the fans must be operating when the air pumps are running. Troubleshoot any problem or call in service personnel if trouble is detected.
- Check to ensure the power cord, the connecting compressed air hoses are undamaged. Replace damaged components or call in service personnel.
- Check the ambient temperature – the ambient temperature must be below the temperature limit (40°C). Cool the space if the temperature is high.
- Compressor with air dryer - open the plug on the condensate collecting vessel and drain the condensate.
- Check the operating condition of the equipment (see Chapter 18.4).

18.3. Check the compressed air connections for leaks and inspect the equipment

Leak testing

- Check the compressor's compressed air lines for leaks during operation – pressure supplied by the compressor.
- Use a leak analyser or soapy water to check all joints and connections for leaks. Tighten or reseal the connection where leaks are found.

Inspecting the equipment

- Check the condition of the compressor aggregate for normal operation and noise levels.
- Fan operation check – the fans must be running during the defined compressor work cycles.
- Check function of the temperature switch (B2) – heat the temperature switch to temperature above 40°C (e.g. using a heat gun – Be careful, do not operate with high temperature on plastic components in the surrounding, it can cause deformation of plastic materials). Fan E1, E3 - the compressor must be under voltage.
- Check filters condition – filters must be undamaged and sufficiently clean.
- Check condition of the pump itself, check if there is no dirt inside the crankcase or clearance in the crankshaft.
- Replace any defective parts if there are any failures.
- Replace any defective parts as needed.
- Check the operating condition of the equipment (see Chapter 18.4).

18.4. Inspection of electrical connections



Risk of electric shock.

Inspect the product's electrical connections when the mains are disconnected.

- Check mechanical function of the main switch.
- Check if the power cable and conductors are not damaged.
- Visually check if cables are connected to the terminal box.
- Check all screw connections of the green-yellow PE grounding conductor.

18.5. Condensate drain

Compressors

Draining the condensate from the pressure vessel is recommended during regular operation. Switch off the compressor at the mains. Reduce air pressure in the device to max. 1 bar by releasing air via a connected device. Install the hose from the basic package into the drain valve. Put the vessel under the hose and release the condensate from the tank by opening the release valve (1).

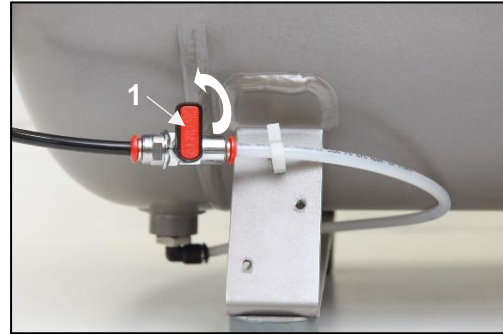


Fig. 15: Condensate drain



Open the drain valve carefully and slowly. If the drain valve is opened too much, it is accompanied by high noise level and uncontrolled jet of the accumulated condensate.



A wet floor resulting from overflow from the vessel poses a slip hazard.

Compressors without a dryer may be equipped with the Automatic Condensate Drain to allow the condensate to drain without operator intervention.

Compressors with air dryer

Condensate from compressors with air dryers is automatically drained into a vessel to collect condensate.



Fig. 16: Check of the condensate collection vessel



Monitor the level in the vessel using the 1 l or 2 l markings (depending on the volume of the vessel), and empty at least once a day. The vessel may overflow if the condensate is not drained out of the vessel at the defined interval.



Before the following checks it is required:

- For compressor variant with cabinet – unlock the door lock and open the cabinet door.

18.6. Check of safety valve

- Turn the screw (2) on the safety valve (1) several times to the left until the safety valve releases the air.
- Let the safety valve vent for a few seconds.
- Turn the screw (2) fully to the right, the valve must be closed now.



Fig. 17: Check of safety valve



Damage to the safety valve could cause pressure to rise to hazardous levels.

Never use the safety valve to release the air pressure in the air tank. This could damage the safety valve. The valve is set to the maximum permitted pressure by the manufacturer.

Never adjust a safety valve.



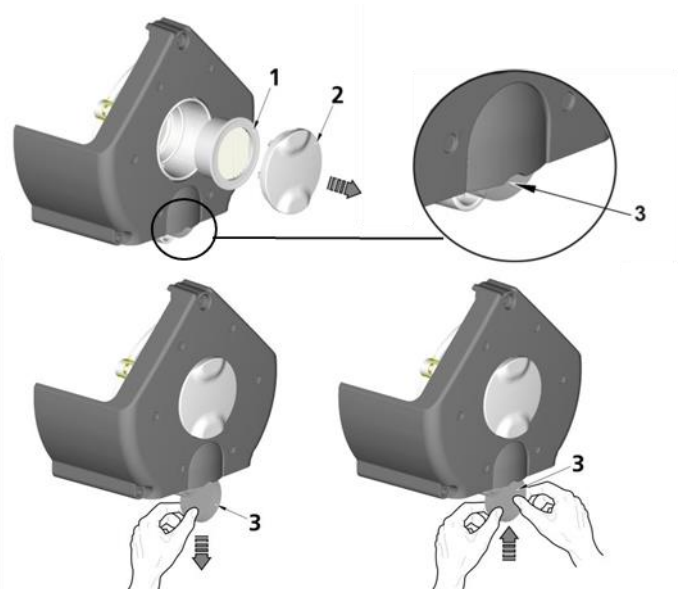
Venting compressed air poses an injury hazard.

Wear safety glasses when inspecting a safety valve.

18.7. Inlet filter replacement

Inlet filter replacement:

- Pull out the rubber plug by hand (2).
- Remove the dirty intake filter (1).
- Insert a new filter and replace the rubber plug.



Pre-filter replacement:

- Pull out the pre-filter by hand (3).
- Replace with a new one and insert it back.

Fig. 18: Inlet filter replacement

18.8. Filter element replacement

- Remove the hose (1) from the quick connector.
- Use a wrench (2) to release the filter vessel (3) and remove.

- Pull down on the filter element (4) to remove.
- Insert a new filter element.
- Re-install the filter vessel.
- Gently tighten the filter vessel with the wrench.
- Re-install the hose on the quick connector.



Fig. 19: Filter element replacement

18.9. Cooler and fan check

The equipment, in particular the compressor fan, cooler fan, and the cooler, must be kept clean to ensure efficient drying. Remove dust from the surface of the cooling fins and fans by vacuuming or blowing down with compressed air.

18.10. Procedure for connecting a compressor disconnected from the cabinet



Prior to any maintenance or repair work, switch off the compressor and disconnect it from the mains (pull out the mains plug).

The compressor (without cabinet) requires that the jumper is always mounted in the terminal strip for correct operation (Fig. 20 pos. C,D, Fig. 21 pos. D). It then replaces the switch on the cabinet.



If there is no jumper in the terminal strip of the compressor (disconnected from the cabinet), the compressor will not work!

If the cord between the compressor and the cabinet becomes disconnected (by pulling the mains plug) and the compressor is removed from the cabinet, the compressor will not be functional. This is why it is necessary to first create a connection to the terminal strip with a jumper (replacing the circuit breaker function) (Fig. 20 pos. A,B, Fig. 21 pos. A).

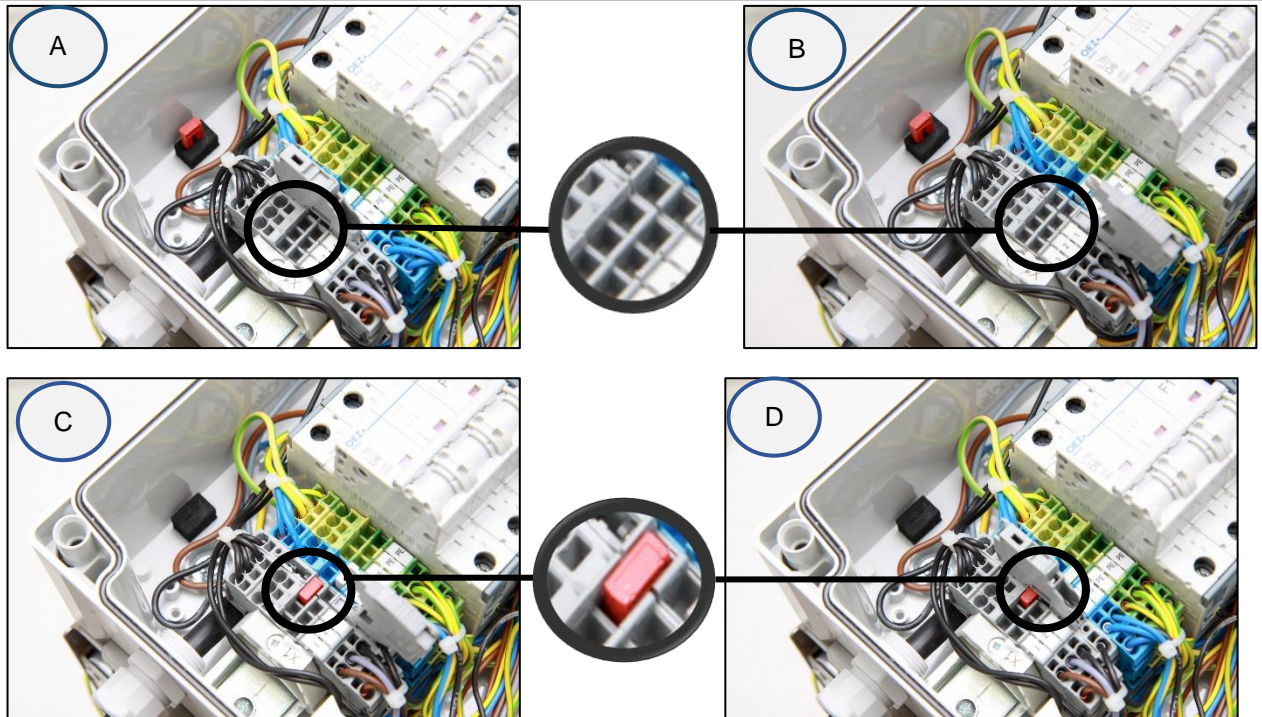
PROCESS:

Jumper installation (A-B-C-D process)

- Disconnect the product from the mains by pulling the plug out of the socket.
- Remove the cover on the electrical panel (on the compressor).
- The jumper is not in the terminal strip – A.
- Lift up the fuse cover – B.
- Insert the jumper into the terminal strip – C.
- Close the fuse cover – D.
- Reinstall the cover on the electrical panel.

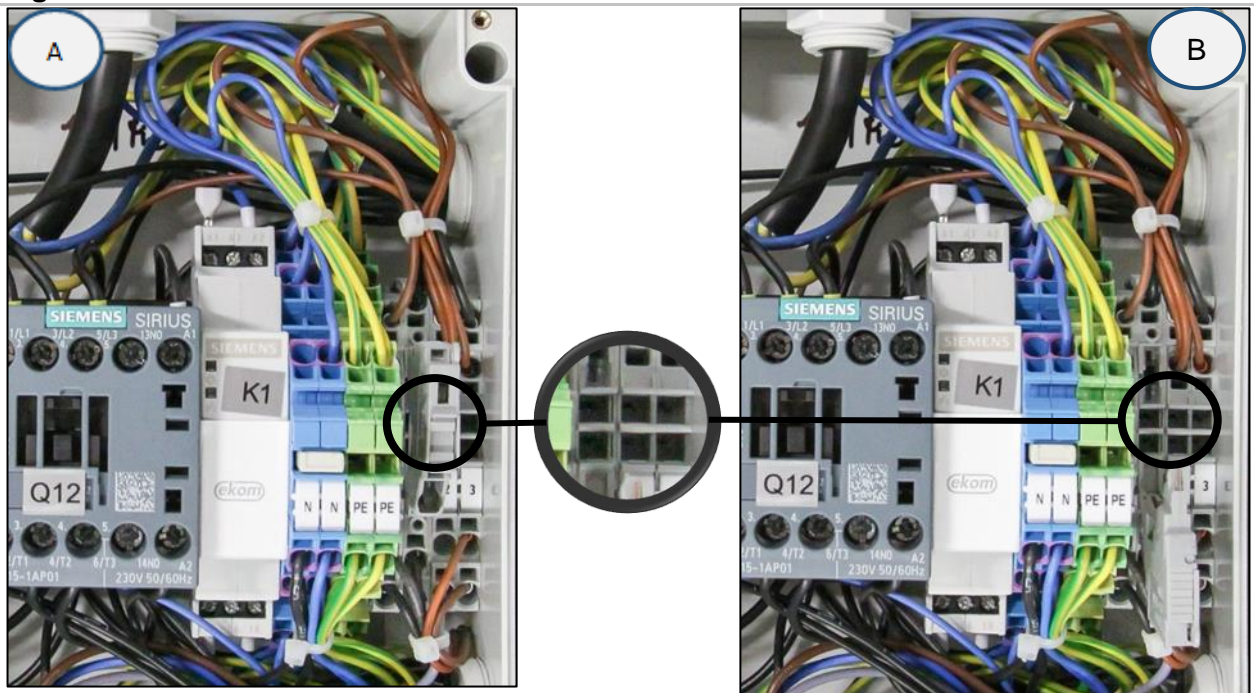
- Connect the device to the electrical mains.
- Activate the compressor by turning on the switch on the pressure switch.

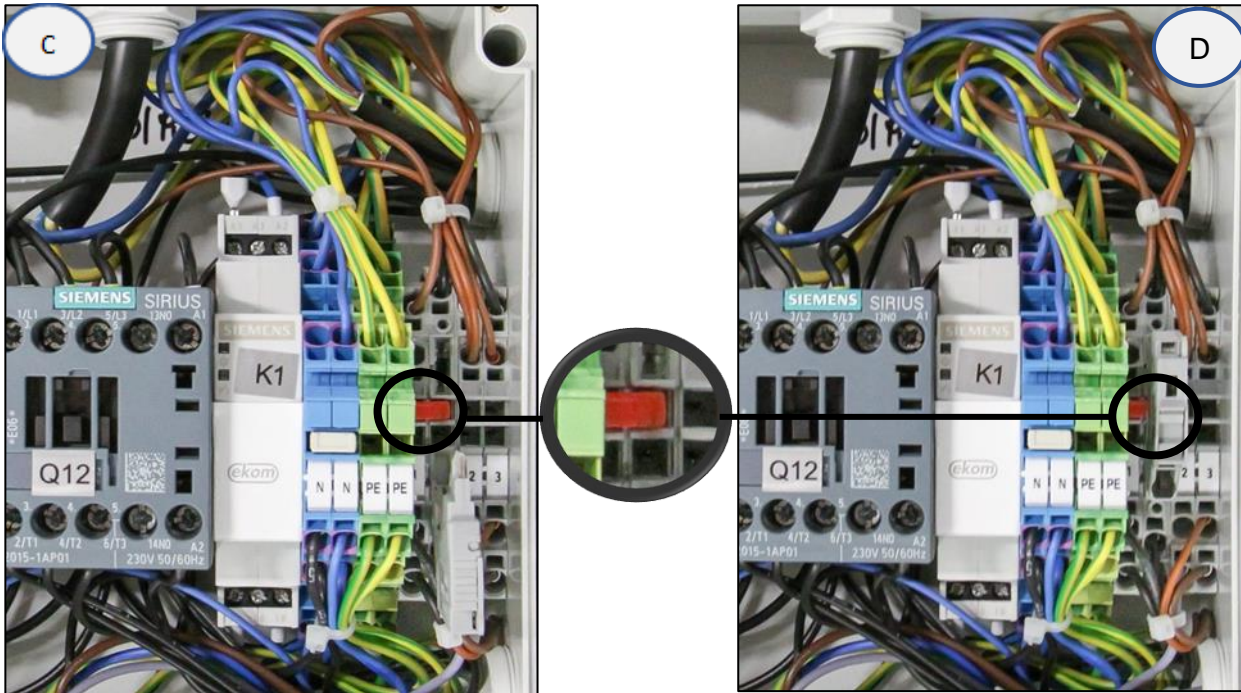
Fig. 20: DK50 4VR/50



400V

Fig. 21: DK50 2x4VR/110





400 V

18.11. Procedure for connecting a compressor to a new cabinet



Prior to any maintenance or repair work, switch off the compressor and disconnect it from the mains (pull out the mains plug).

The compressor in a cabinet requires that the jumper is not mounted in the terminal strip for correct operation (Fig. 20 pos. A,B, Fig. 21 pos. A). The switch on the cabinet switches the entire product on and off, including the compressor.



If there is a jumper in the terminal strip of the compressor connected to a cabinet, the switch on the compressor cabinet will not work!

If we want to connect a new cabinet to a compressor that previously worked alone (a compressor without a cabinet), then it is necessary to cancel the connection in the compressor terminal strip by performing the procedure, see further. (Fig. 20, Fig. 21). (See also chap. 13.1 and 13.2).

PROCESS:

Jumper removal (D-C-B-A process)

- Disconnect the product from the mains by pulling the plug out of the socket.
- Remove the cover on the electrical panel (on the compressor).
- The jumper is in the terminal strip – D
- Lift up the fuse cover – C
- Remove the jumper from the terminal strip – B
- Close the fuse cover – A
- Reinstall the cover on the electrical panel.

- Insert the compressor into the box.
- Connect the cabinet to the compressor by inserting the power cord with connector into a power socket. (Fig. 13)
- Connect the device to the electrical mains
- Activate the compressor by turning on the switch on the pressure switch and the switch (4) on the cabinet (Fig. 14).

Compressor with cabinet - when operating in the cabinet, there **must not be** an electrical connection. (Fig. 20 pos. A,B, Fig. 21 pos A).

Note: **In case of using a compressor without a cabinet or in case of maintenance, a jumper which is not installed into the terminal strip should be kept** in a designated place next to the electrical panel.

18.12. Cleaning and disinfection of the exterior surfaces of the product

Clean and disinfect the exterior surfaces with neutral cleaning products.



Use of aggressive detergents and disinfectants containing alcohol and chlorides can lead to surface damage and discolouration.

19. LONG-TERM SHUTDOWN

If the compressor is not going to be used for long period, it is recommended to drain all condensate from the air tank and switch on the compressor for about 10 minutes, keeping the drain valve open. Thereafter switch off the compressor using the switch (2) on the pressure switch (1) (Fig. 14), close the drain valve and disconnect the device from the mains.

20. DISPOSAL OF DEVICE

- Disconnect the equipment from the mains.
- Release the air pressure in the pressure tank by opening the drain valve.
- Dispose of the equipment following all applicable regulations.
- Entrust a specialised company to sort and dispose of waste.
- Worn out components have no negative environmental impact.

TROUBLESHOOTING**Risk of electric shock.****Before interfering with the equipment, first disconnect it from the mains (remove the power socket).****Working with pressurised pneumatic components poses a risk of injury.****Before interfering with the equipment, vent the air tank and the compressed air system to zero pressure.****Troubleshooting may only be performed by a qualified service technician.****Damage to the safety valve could cause pressure to rise to hazardous levels.****Never adjust a safety valve.**

Malfunction	Possible cause	Solution
Compressor does not start	No voltage in pressure switch	Check voltage in socket
		Check fuse – replace faulty one
		Loosen terminal – tighten it
		Check power cord – replace faulty one
	Disconnected winding of motor, damaged thermal protection	Replace motor or re-wind it
Compressor often switches on	Faulty capacitor	Replace capacitor
	Seizure of piston or another rotary part	Replace damaged parts
	Pressure switch does not switch on	Check the function of pressure switch
	Air leak in pneumatic distribution system	Check pneumatic distribution system – seal loose joint
Cabinet switch does not switch off the compressor	Leaking non-return valve	Clean valve, replace seals, replace valve
	Greater volume of condensed liquid in pressure vessel	Drain condensed liquid
	Air leak in pneumatic distribution system	Check pneumatic distribution system – seal loose joint
	Worn piston ring	Replace worn piston ring
Prolonged running of compressor	Contaminated inlet filter	Replace contaminated filters with the new ones
	Defective solenoid valve	Repair or change the valve
	Damaged bearing of piston, piston rod, motor bearing	Replace damaged bearing
Compressor is noisy (knocking, metal noises)	Loose or cracked spring	Replace damaged spring

Dryer doesn't dry (condensed water in the air) *	Cooling fan not working	Replace the fan
	Damaged dryer	Check the power source
	Non-functioning automatic condensate drain	Replace the dryer Clean / replace

) * Clean inside surfaces of the air tank thoroughly and remove all condensed liquid after dryer failure.



Check the moisture content of the air exiting the air tank (see the Technical data chapter) to prevent damage to connected downstream equipment.

21. REPAIR SERVICE

Warranty and post-warranty repairs must be done by the manufacturer, its authorized representative, or service personnel approved by the supplier.

Attention.

The manufacturer reserves the right to make changes to the equipment without notice. Any changes made will not affect the functional properties of the equipment.

INHALT

WICHTIGE INFORMATIONEN	59
1. ÜBEREINSTIMMUNG MIT DEN ANFORDERUNGEN DER EU-RICHTLINIEN	59
2. BESTIMMUNGSGEMÄÙE VERWENDUNG	59
3. GEGENANZEIGEN UND NEBENWIRKUNGEN	59
4. SYMBOLE	59
5. WARNHINWEISE	60
6. LAGERUNGS- UND TRANSPORTBEDINGUNGEN	62
PRODUKTBESCHREIBUNG	63
7. VERSIONEN	63
8. ZUBEHÖR.....	64
9. PRODUKTFUNKTION.....	65
TECHNISCHE DATEN	72
INSTALLATION	79
10. INSTALLATIONSBEDINGUNGEN	79
11. ZUSAMMENBAU DES KOMPRESSORS.....	79
12. PNEUMATISCHER ANSCHLUSS.....	84
13. ELEKTRISCHER ANSCHLUSS	86
14. INBETRIEBNAHME.....	87
15. DRUCKLUFT- UND ELEKTROSCHALTPLÄNE.....	88
BETRIEB	98
16. EINSCHALTEN DES KOMPRESSORS	99
17. AUSSCHALTEN DES KOMPRESSORS	99
PRODUKTWARTUNG	100
18. PRODUKTRWARTUNG.....	100
19. LANGFRISTIGE AUßERBETRIEBNAHME	109
20. ENTSORGUNG DES GERÄTS.....	109
FEHLERBEHEBUNG	110
21. REPARATURDIENST	111
ANHANG	381
22. INSTALLATIONSPROTOKOLL.....	382

WICHTIGE INFORMATIONEN**1. ÜBEREINSTIMMUNG MIT DEN ANFORDERUNGEN DER EU-RICHTLINIEN**

Dieses Produkt erfüllt die Anforderungen der Verordnung (EU) über Medizinprodukte (MDR 2017/745) und ist bei bestimmungsgemäßer Verwendung sicher, sofern alle Sicherheitshinweise beachtet werden.

2. BESTIMMUNGSGEMÄßE VERWENDUNG

Der Kompressor wird als Quelle für saubere, ölfreie Druckluft verwendet, um aktive medizinische Geräte zu versorgen, bei denen die Parameter und Eigenschaften der Druckluft für die spezifische Anwendung geeignet sind.



Die durch den Kompressor bereitgestellte Druckluft ist nicht für die Nutzung mit Geräten zur künstlichen Beatmung geeignet, wenn zuvor keine weitere Filterung erfolgte.

Jegliche Nutzung des Produkts über die bestimmungsgemäße Verwendung hinaus gilt als unsachgemäße Nutzung. Der Hersteller haftet nicht für Schäden oder Verletzungen aufgrund einer unsachgemäßen Nutzung.

3. GEGENANZEIGEN UND NEBENWIRKUNGEN

Es sind keine Gegenanzeigen oder Nebenwirkungen bekannt.

4. SYMBOLE

Die folgenden Symbole und Markierungen werden in dem Benutzerhandbuch, auf dem Gerät und auf seiner Verpackung verwendet:



Allgemeiner Warnhinweis



Achtung – Stromschlaggefahr!



Achtung – Kompressor wird automatisch gesteuert!



Achtung – heiße Oberfläche!



Allgemeine Warnungen



Lesen Sie die Bedienungsanweisungen





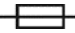







Beachten Sie das Bedienungshandbuch



CE-Kennzeichnung



Medizinprodukt

	Seriennummer
	Schutzerdung
	Sicherung
	Etikett für die Handhabung der Verpackung – zerbrechlich
	Etikett für die Handhabung der Verpackung – diese Seite nach oben
	Etikett für die Handhabung der Verpackung – trocken lagern
	Etikett für die Handhabung der Verpackung – Temperaturgrenzwerte
	Etikett für die Handhabung der Verpackung – Stapelbeschränkung
	Verpackungsetikett – recycelbares Material
	Hersteller

5. WARNHINWEISE

Das Produkt wurde so entwickelt und hergestellt, dass der Benutzer und die Umgebung sicher sind, wenn das Produkt ordnungsgemäß verwendet wird. Beachten Sie die folgenden Warnhinweise.

5.1. Allgemeine Warnhinweise

LESEN SIE VOR DER VERWENDUNG DES GERÄTS DAS BENUTZERHANDBUCH SORGFÄLTIG DURCH UND BEWAHREN SIE ES FÜR DIE KÜNFTIGE NUTZUNG AUF!

- Das Benutzerhandbuch enthält Anleitungen zur korrekten Installation, Bedienung und Wartung des Produkts. Eine sorgfältige Durchsicht dieses Handbuchs liefert Ihnen die notwendigen Informationen für den korrekten Betrieb des Produkts.
- Die Originalverpackung sollte für die Rücksendung des Geräts aufbewahrt werden. Nur die Originalverpackung garantiert einen optimalen Transportschutz des Geräts. Falls eine Einsendung des Produkts während der Garantiezeit notwendig werden sollte, haftet der Hersteller nicht für Schäden, die auf eine mangelhafte Verpackung zurückzuführen sind.
- Schäden, die durch die Nutzung von anderem als dem vom Hersteller vorgeschriebenen Zubehör entstehen, sind von dieser Gerätegarantie ausgeschlossen.
- Der Hersteller garantiert die Sicherheit, Zuverlässigkeit und Funktion des Geräts nur, wenn:
 - Montage, Neueinstellungen, Änderungen, Erweiterungen und Reparaturen durch den Hersteller oder einen vom Hersteller autorisierten Dienstleister erfolgen
 - das Produkt gemäß den Vorgaben des Benutzerhandbuchs verwendet wird
- Das Benutzerhandbuch entspricht zum Zeitpunkt seines Drucks den Produktmodellen und deren Erfüllung der geltenden Sicherheits- und Technikstandards. Der Hersteller behält alle Rechte an

seinen Konfigurationen, Verfahren und Namen.

- Die Übersetzung des Benutzerhandbuchs erfolgte nach bestem Wissen. Bei Unsicherheiten gilt die slowakische Version.
- Dieses Benutzerhandbuch ist die deutsche Übersetzung der Originalbetriebsanleitung. Die Übersetzung erfolgte nach bestem Wissen.

5.2. Allgemeine Sicherheitswarnungen

Der Hersteller hat das Produkt so entwickelt und hergestellt, dass bei korrekter Nutzung entsprechend der bestimmungsgemäßen Verwendung die Risiken minimal sind. Der Hersteller legt die folgenden Sicherheitsvorschriften für den Gebrauch des Geräts fest.

- Die Verwendung und Bedienung des Produkts muss den am Standort geltenden Vorschriften und Gesetzen entsprechen. Der Bediener und Nutzer des Produkts muss alle gültigen Vorschriften einhalten, um eine sichere Arbeit zu gewährleisten.
- Nur die Nutzung von Originalteilen gewährleistet die Sicherheit des Bedienpersonals sowie ein reibungsloses Funktionieren des Produkts. Es dürfen nur Zubehör- und Ersatzteile verwendet werden, die in der technischen Dokumentation aufgeführt oder ausdrücklich vom Hersteller zugelassen sind.
- Der Bediener muss vor jeder Nutzung das korrekte und sichere Funktionieren des Geräts überprüfen.
- Der Nutzer muss sich mit der Bedienung des Geräts vertraut gemacht haben.
- Das Produkt darf nicht in explosionsgefährdeten Bereichen eingesetzt werden.
- Der Benutzer muss den Lieferanten sofort bei Problemen informieren, die in Verbindung mit dem Betrieb des Geräts auftreten.
- Alle schwerwiegenden Zwischenfälle, die im Zusammenhang mit dem Produkt aufgetreten sind, müssen dem Hersteller und der zuständigen Behörde jenes Mitgliedstaates gemeldet werden, in dem der Anwender und/oder der Patient niedergelassen ist.

5.3. Sicherheitswarnhinweise zum Schutz vor elektrischem Strom

- Das Gerät darf nur an einen ordnungsgemäß installierten Stromkreis angeschlossen werden.
- Vor dem Anschluss des Produkts muss sichergestellt werden, dass die auf dem Gerät angegebene Netzspannung und Netzfrequenz mit den Werten des Versorgungsnetzes übereinstimmen.
- Überprüfen Sie das Gerät vor der Inbetriebnahme auf Schäden an den Druckluftleitungen und Stromkabeln. Beschädigte Druckluftleitungen und Stromkabel sind sofort zu ersetzen.
- Trennen Sie das Produkt sofort vom Stromnetz (dazu Netzkabel aus der Steckdose ziehen), wenn eine Gefahrensituation oder ein technischer Fehler auftritt.
- Stellen Sie bei allen Reparatur- und Wartungsarbeiten sicher, dass:
 - der Netzstecker aus der Steckdose gezogen wurde
 - Der Druck aus allen Druckluftbehältern und -leitungen abgelassen wurde
- Das Gerät muss von einem qualifizierten Fachmann installiert werden.

6. LAGERUNGS- UND TRANSPORTBEDINGUNGEN

Der Kompressor wird ab Hersteller in einer Transportverpackung versendet. Diese schützt das Produkt während des Transports vor Schäden.



Beschädigungsgefahr für Pneumatikkomponenten!

Der Kompressor darf nur transportiert werden, wenn die gesamte Luft abgelassen wurde. Vor dem Bewegen oder Transportieren des Kompressors entlassen Sie jegliche Druckluft aus dem Behälter und den Druckschläuchen sowie aus den Trocknungskammern und lassen Sie das Kondensat aus dem Behälter und dem Kondensatabscheider am Trockner ab.



Bewahren Sie die Originalverpackung für den Fall auf, dass das Gerät zurückgesendet werden muss. Verwenden Sie die Originalverpackung für den Transport, da sie optimalen Schutz für das Produkt bietet. . Sollte es nötig sein, das Produkt während der Garantiezeit einzusenden, haftet der Hersteller nicht für Schäden, die auf eine mangelhafte Verpackung zurückzuführen sind.



Der Kompressor muss in vertikaler Position geliefert und mit Transportgurten befestigt werden.



Schützen Sie den Kompressor während des Transports und der Lagerung vor Feuchtigkeit, Schmutz und extremen Temperaturen. Nicht in der Nähe von flüchtigen chemischen Substanzen lagern.



Sollte dies nicht möglich sein, entsorgen Sie die Originalverpackung auf umweltfreundliche Art. Der Verpackungskarton kann als Altpapier recycelt werden.



Die Lagerung und der Versand des Geräts in einem anderen als dem vorgeschriebenen Zustand sind strikt untersagt.

6.1. Umgebungsbedingungen

Die Produkte dürfen nur unter den folgenden klimatischen Bedingungen in Fahrzeugen gelagert und transportiert werden, die keine Spuren flüchtiger Chemikalien aufweisen:

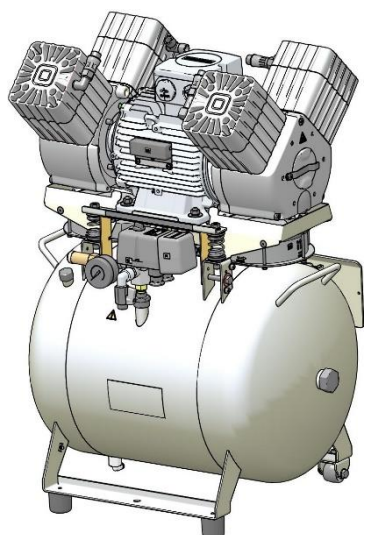
Temperatur	–25 °C bis +55 °C
Relative Feuchtigkeit	max. 90 % (nicht kondensierend)

PRODUKTBESCHREIBUNG

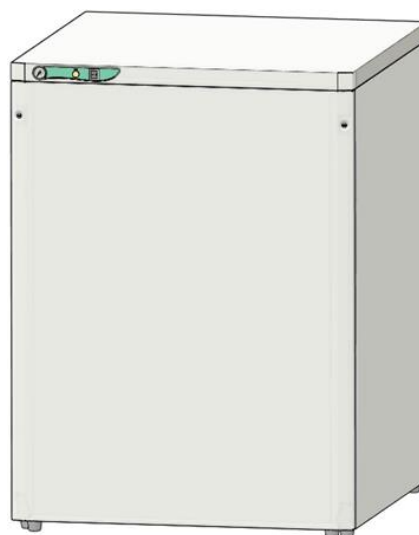
7. VERSIONEN

Der Kompressor ist gemäß seinem Verwendungszweck in den folgenden Modellen erhältlich:

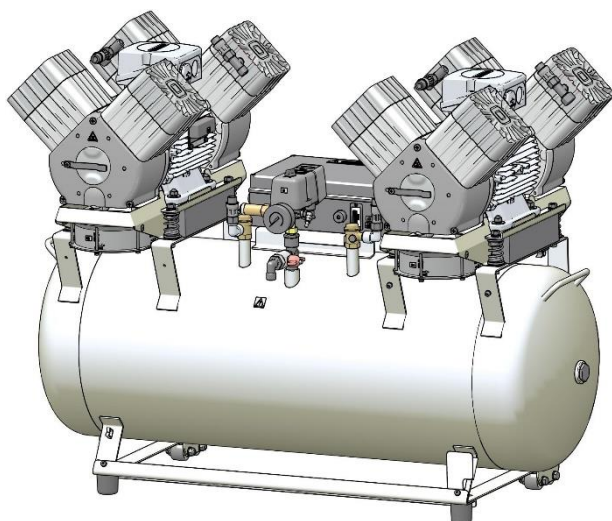
DK50 4VR/50	Kopressor für Installation in Bereichen, in denen der Betrieb die Umgebung nicht stört
DK50 4VR/50/M	Kompressor mit Membranlufttrockner
DK50 4VR/50S	Kompressor in einem Schaltschrank mit effektiver Geräuschdämpfung
DK50 4VR/50S/M	Kompressor mit Membrantrockner in einem Gehäuse
Schrank S50R	für die Minderung der durch den Kompressor verursachten Geräusche
DK50 2x4VR/110	Kompressor für Installation in Bereichen, in denen der Betrieb die Umgebung nicht stört
DK50 2x4VR/110/M	Kompressor mit Membranlufttrockner
DK50 2x4VR/110S	Kompressor in einem Schaltschrank mit effektiver Geräuschdämpfung
DK50 2x4VR/110S/M	Kompressor mit Membrantrockner in einem Gehäuse
Schrank S110R	für die Minderung der durch den Kompressor verursachten Geräusche



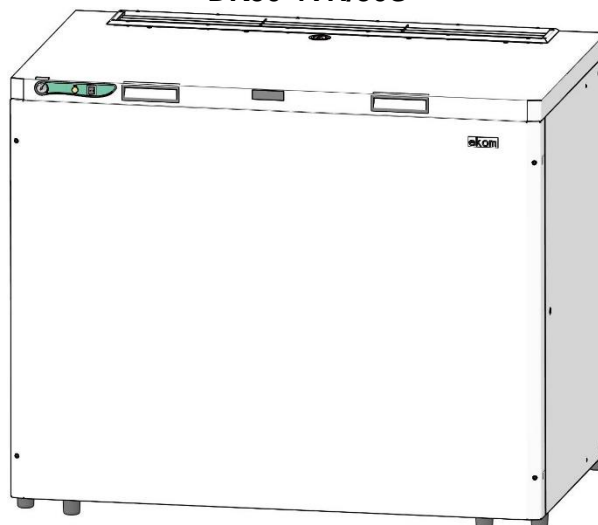
DK50 4VR/50



**S50R
DK50 4VR/50S**



DK50 2x4VR/110



**S110R
DK50 2x4VR/110S**

8. ZUBEHÖR

Zubehör, das nicht Teil des Lieferumfangs ist, muss separat bestellt werden.

Automatischer Kondensatablauf

Der automatische Kondensatablauf (Automatic Condensate Drain; AOK) lässt das Kondensat automatisch und gemäß einem vorgegebenen Zeitintervall aus dem Kompressor-Luftbehälter ab. Der Kondensatablauf (AOK) ist ein geeignetes Zubehörteil für Kompressormodelle ohne Trockner.

Typ	Verwendung	Artikelnummer
AOK 18	DK50 4VR/50	604014082-000
AOK 19	DK50 2x4VR/110	604014083-000

Satz mit Druckluft-Ausgangsfiltern

Der Kompressor kann, sofern angegeben, mit einem Filtersatz ausgestattet werden. Der Filtersatz kann mit einem Druckluftregler ausgestattet werden.



Ist ein anderer Grad an Luftfilterung nötig, muss dies mit dem Lieferanten vereinbart und in der Bestellung klar angegeben werden.

Typ	Verwendung	Grad der Luftfilterung (µm)	Artikelnummer
FS 30F		1	604014119-014
FS 30M	DK50 4VR/50	1+0,1	604014119-015
FS 30S	DK50 4VR/50/M	1+0,01	604014119-017
FS 30A		1+0,01+A**	604014119-018
FS 40F		1	604014119-000
FS 40M	DK50 2x4VR/110	1+0,1	604014119-004
FS 40S	DK50 2x4VR/110/M	1+0,01	604014119-024
FS 40AH		1+AC+HC (0,01)	604014119-005

**) A – Submikrofilter mit Aktivkohle

Filtersatz Reglerbaugruppe

Der Kompressor kann gegebenenfalls mit einem Druckregler des Druckluftauslasses ausgestattet sein. Der Regler muss entsprechend der Anwendung auf den Filtersatz oder separat ausgewählt werden. Der Regler muss einen konstanten Druck am Auslass gewährleisten.

Typ	Verwendung	Artikelnummer
Druckregler (für Filtersatz)	DK50 4VR/50	604014130-000
REG12 (Separator)	DK50 4VR/50/M	447000001-088
Druckregler	DK50 2x4VR/110	604014125-000
REG15	DK50 2x4VR/110/M	447000001-115

Filtersatz Halterungen



Für jeden Filtersatz muss eine passende Halterung bestellt werden.

Typ	Verwendung	Artikelnummer
Halterung für Kompressormontage	DK50 4VR/50	603014177-000
	DK50 4VR/50/M	
Halterung für Kompressormontage	DK50 2x4VR/110	604014131-000
Halterung für Wandmontage	DK50 2x4VR/110/M	603014120-000

Potenzialausgleichsbuchse

Die Buchse ermöglicht einen Potenzialausgleich.

Typ	Verwendung	Name	Artikelnummer
POAG-KBT6-EC	DK50 4VR/50	Netzstecke	033400075-000
	DK50 4VR/50/M		
FLEXI-S/POAG-HK6	DK50 2x4VR/110	Zuleitung (1 m)	034110083-000
	DK50 2x4VR/110/M		

9. PRODUKTFUNKTION

9.1. Kompressor

Der Kompressor (1) saugt Außenluft durch einen Ansaugfilter (8) an und drückt sie durch ein Rückschlagventil (3) in einen Luftbehälter (2), aus dem das Gerät Druckluft bezieht. Fällt der Druck im Luftbehälter auf den Einschaltdruck ab, schaltet der Druckschalter (4) den Kompressor ein und der Kompressor leitet Druckluft in den Luftbehälter, bis der Ausschaltdruck erreicht wird. Daraufhin schaltet der Kompressor ab. Das Sicherheitsventil (5) verhindert, dass der Druck im Luftbehälter über den maximal zulässigen Wert hinaus ansteigt. Das Kondenswasser wird durch das Ablassventil (7) aus dem Luftbehälter abgelassen. Ölfreie Druckluft steht im Druckluftbehälter zur weiteren Nutzung bereit.

Das Kondensat muss in regelmäßigen Intervallen aus dem Druckluftbehälter abgelassen werden (siehe Kapitel 18.1).

9.2. Kompressor mit Membrantrockner

Das Kompressoraggregat (1) zieht Außenluft durch einen Ansaugfilter (8) ein und komprimiert sie. Dann wird die Luft zum Kühler (10) durch den Filter (18) und das Prüfventil (3) zum Trockner (9) gespeist, anschließend wird die trockene und saubere Luft in den Luftbehälter (2) eingespeist. Ein Teil der Luft wird mit der aufgenommenen Feuchtigkeit aus dem Trockner entlassen und macht sich als leichter Luftstrom entlang des Trocknergehäuses (9) bemerkbar. Das Kondensat aus dem Filter wird automatisch in regelmäßigen Intervallen über das Kondensatablassmagnetventil (17) in den Behälter (12) abgeleitet. Der Trockner sorgt dafür, dass die Druckluft ständig getrocknet wird. Das Kondenswasser wird durch das Ablassventil (7) aus dem Luftbehälter abgelassen, wenn die Trocknerleistung überprüft wird. Ölfreie gefilterte Druckluft steht im Druckluftbehälter zur weiteren Nutzung bereit.

Damit der Membrantrockner wie vorgesehen funktioniert, wird der Trockner direkt an den Luftbehälter ohne zwischengeschaltetes Rückschlagventil angeschlossen. Da der Membrantrockner selektive Membranfasern enthält, erfolgt hierüber eine geringfügige Luftentweichung (rund 0,5 bar/30 min.)

Das ist der Grund für einen nach und nach erfolgenden, langsamen Druckabfall, auch wenn kein Druckluftbedarf (aus dem Luftbehälter) besteht. Dabei handelt es sich jedoch nicht um eine Fehlfunktion.

Der Druckbehälter muss nicht abgelassen werden.

9.3. Kompressorgehäuse

Das Gehäuse dient als kompaktes und schallgedämmtes Kompressorgehäuse und sorgt für einen ausreichenden Kühlluftaustausch. Der Lüfter unter dem Kompressoraggregat (11) und die Schranklüfter (21) kühlen den Kompressor. Die Lüfter laufen gleichzeitig mit dem Kompressormotor oder wenn der Temperaturschalter bei einer Temperatur über 40 °C betätigt wird. Sobald sich die Temperatur im Schrank auf ca. 32 °C abgekühlt hat, werden die Lüfter automatisch ausgeschaltet.



Überhitzungsgefahr des Kompressors!

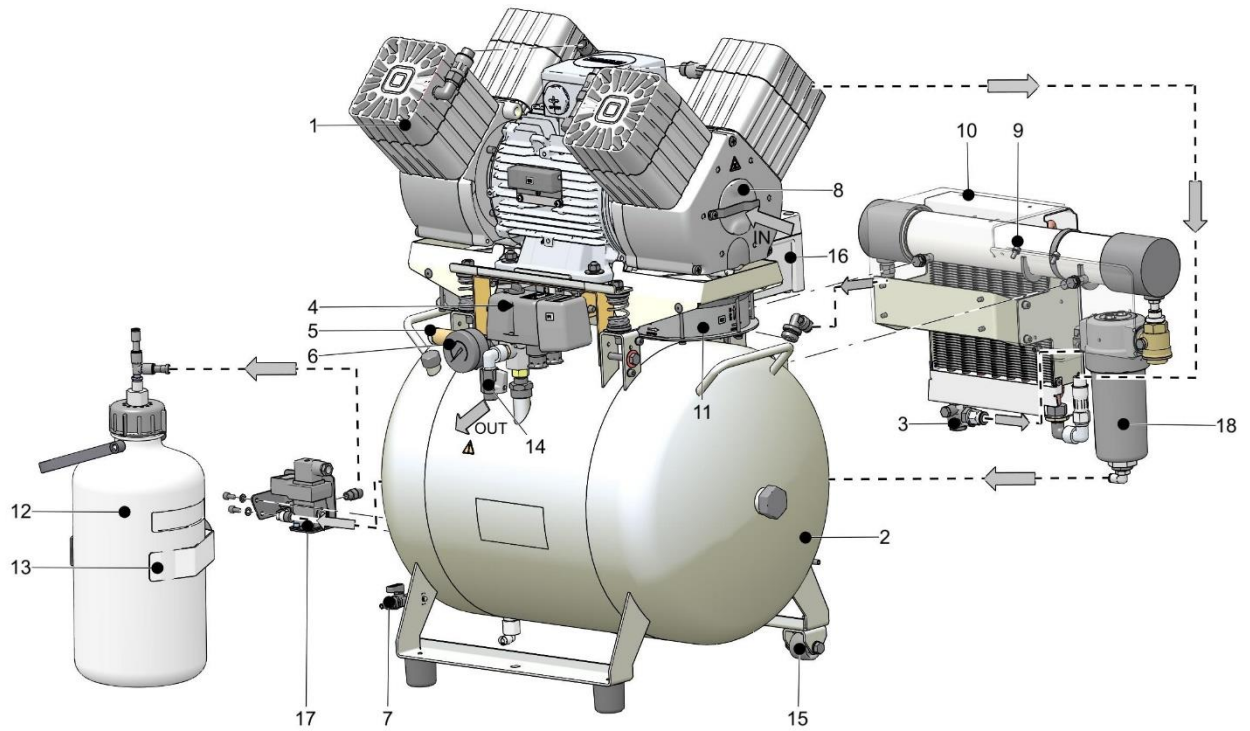
Stellen Sie sicher, dass der Einlass für die Kühlluft in das Gehäuse (im Bodenbereich des Gehäuses) und der Auslass für die Warmluft an der Rückseite des Gehäuses im oberen Bereich nicht blockiert sind.

Wird der Kompressor auf eine weiche Unterlage gestellt (z. B. auf einen Teppich), sorgen Sie für einen Abstand zwischen der Basis und dem Boden oder dem Gehäuse und dem Boden, indem die Füße z. B. auf feste Blöcke gestellt werden. Damit wird eine ausreichende Kühlung des Kompressors gewährleistet.

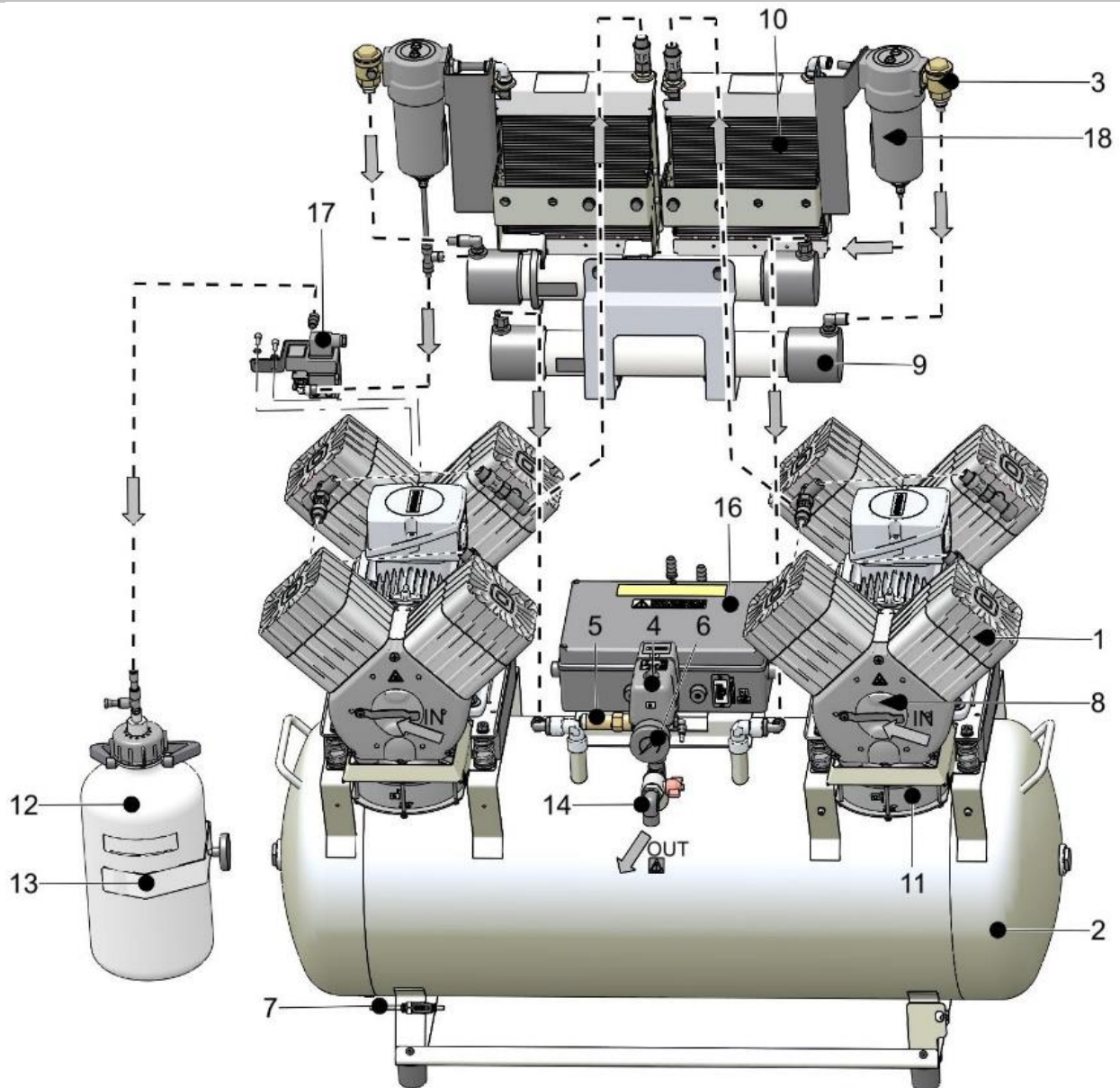
Beschreibung für Abbildungen 1 - 3

1	Aggregat	17	Druckschalter 2
2	Druckluftbehälter	18	Druckbegrenzungsventil
3	Rückschlagventil	19	Kondensatabscheider
4	Druckschalter	20	Rückschlagventil
5	Sicherheitsventil	21	Gehäuselüfter
6	Manometer	22	Gehäuse-Manometer
7	Ablassventil	23	Schalter
8	Ansaugfilter	24	Gehäuseanschluss
9	Adsorptionstrockner NDM	25	Druckanzeigeschlauch
10	Kühler	26	Rollen zum Einstellen
11	Kompressorlüfter	27	Anschlagpuffer für Wand
12	Kondensatauffangbehälter	28	Zuleitungsschnur
13	Magnetische Halterung	29	Kasten-Gasfelder
14	Druckluftausgang	30	Stützkonsole
15	Kompressorrad	31	Magnetventil
16	Schaltpasten	32	Wartungsanzeige

Abb. 1: Kompressor mit Trockner

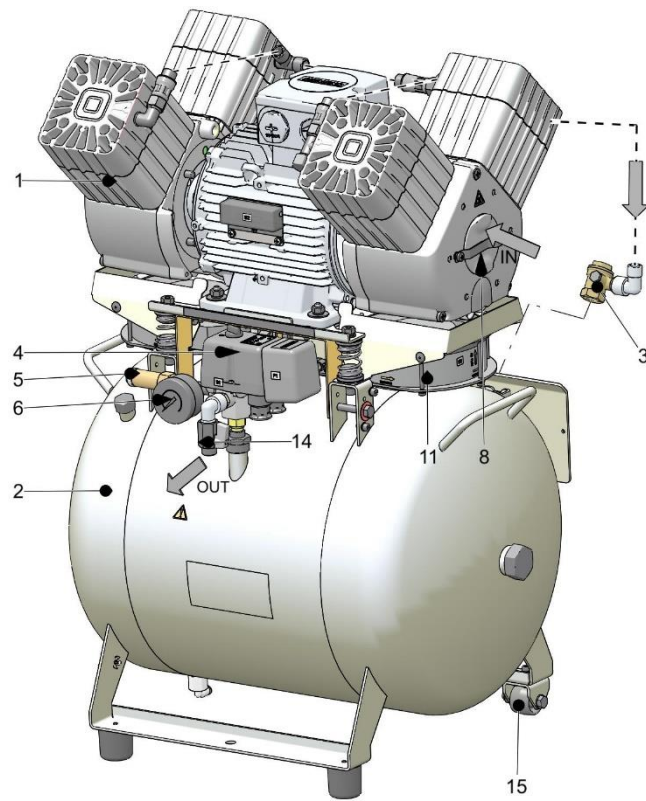


DK50 4VR/50/M

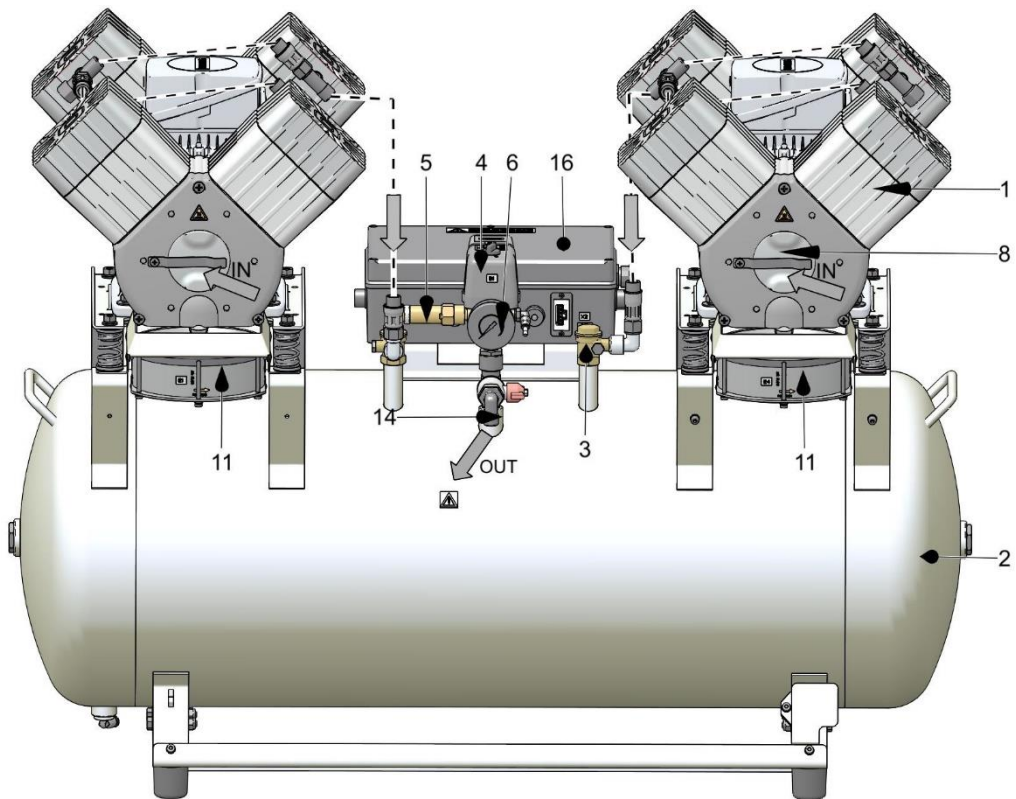


DK50 2x4VR/110/M

Abb. 2: Kompressor

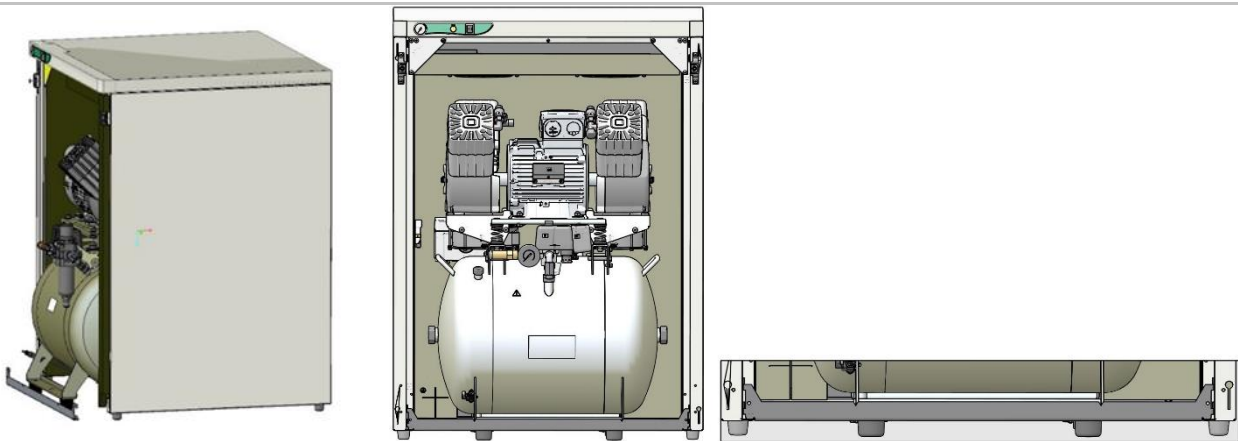
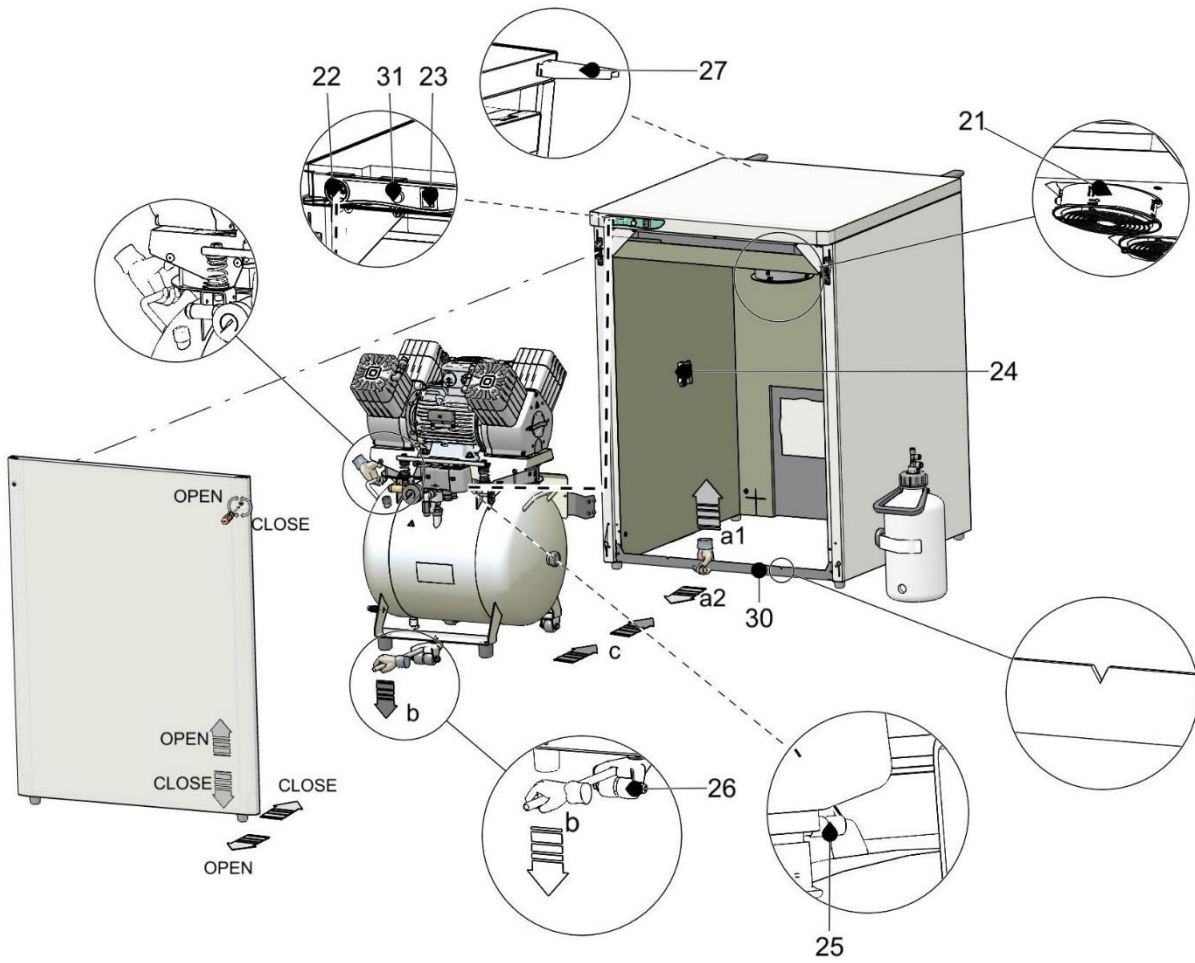


DK50 4VR/50

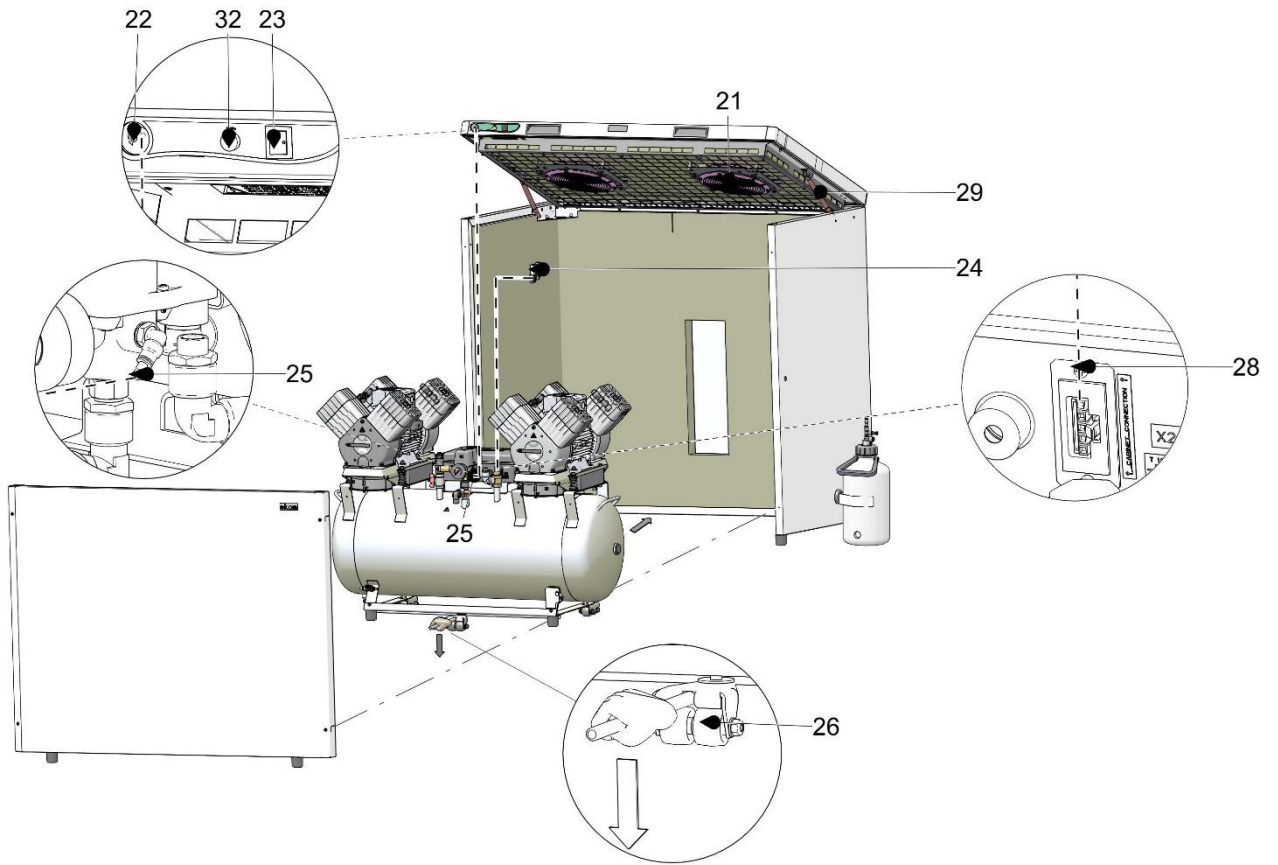


DK50 2x4VR/110

Abb. 3: Gehäuse



A – DK50 4VR/50S/M



B – DK50 2x4VR/110S/M

TECHNISCHE DATEN

Die Kompressoren sind für den Betrieb in trockenen, belüfteten und staubfreien Innenräumen unter den folgenden klimatischen Bedingungen vorgesehen:

Temperatur

+5 °C bis +40 °C

Relative Feuchtigkeit

max. 70 %

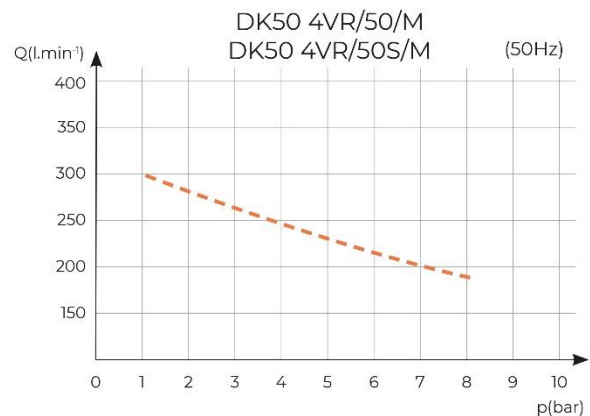
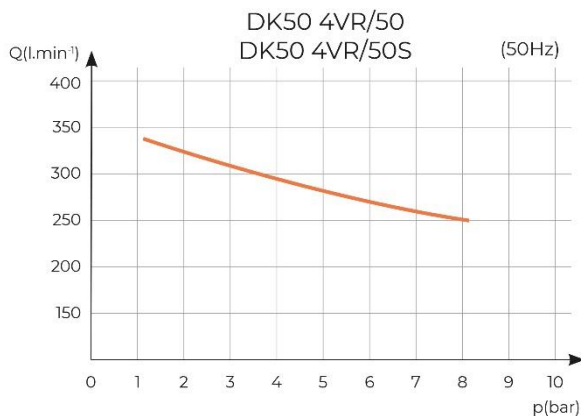
Arbeitsdruck 6 – 8 bar		DK50 4VR/50	DK50 4VR/50S	DK50 4VR/50/M	DK50 4VR/50S/M
Nennspannung Frequenz ^{a)}	V, Hz	3x400, 50	3x400, 50	3x400, 50	3x400, 50
Kapazität bei 6 bar (FAD)	l/min	270	270	215	215
Arbeitsdruck ^{b)}	bar	6,0 – 8,0	6,0 – 8,0	6,0 – 8,0	6,0 – 8,0
Nennstrom	A	4,7	5,1	4,8	5,2
Motorleistung	kW	2,2	2,2	2,2	2,2
Volumen Drucklufttank	l	50	50	50	50
Luftqualität – Filterung	µm	-	-	0,1	0,1
Max. Betriebsdruck des Sicherheitsventils	bar	12,0	12,0	12,0	12,0
Geräuschpegel bei 5 bar (L _{pA})	dB	≤77,0	≤58,0	≤77,0	≤58,0
Betriebsmodus	%	S1-100	S1-100	S1-100	S1-100
DTP- Trocknungsleistung bei 7 bar	°C	-	-	≤ +3	≤ +3
Abmessungen (netto) L x B x H	mm	577x587x81 5	750x778x1015	577x628x815	750x778x1015
Nettogewicht ^{c)}	kg	70	128	81	139
Klassifizierung unter EN 60601-1	Klasse I.				

a) Bei Bestellung die Kompressorversion angeben

b) Für andere Druckbereiche kontaktieren Sie den Lieferanten

c) Das Gewicht ist vorläufig und gilt nur für das Produkt ohne Zubehörteile

Abhängigkeit von Kompressorkapazität und Arbeitsdruck



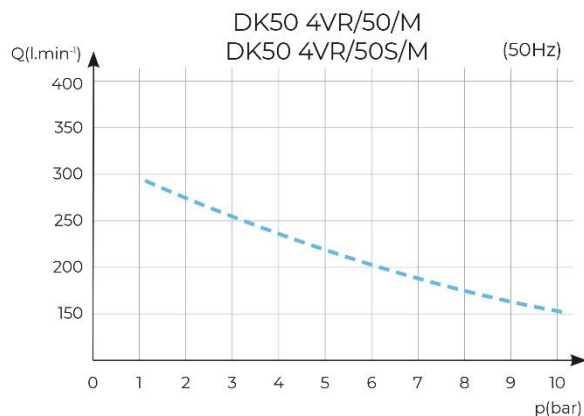
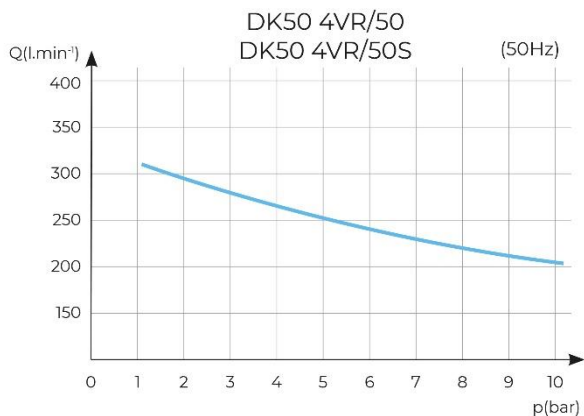
Arbeitsdruck 8 – 10 bar		DK50 4VR/50	DK50 4VR/50S	DK50 4VR/50/M	DK50 4VR/50S/M
Nennspannung Frequenz ^{a)}	V, Hz	3x400, 50	3x400, 50	3x400, 50	3x400, 50
Kapazität bei 8 bar (FAD)	l/min	220	220	175	175
Arbeitsdruck ^{b)}	bar	8,0 – 10,0	8,0 – 10,0	8,0 – 10,0	8,0 – 10,0
Nennstrom	A	4,7	5,1	5,4	5,9
Motorleistung	kW	2,2	2,2	2,2	2,2
Volumen Drucklufttank	l	50	50	50	50
Luftqualität – Filterung	µm	-	-	0,1	0,1
Max. Betriebsdruck des Sicherheitsventils	bar	12,0	12,0	12,0	12,0
Geräuschpegel bei 5 bar (L _{pA})	dB	≤77,0	≤58,0	≤77,0	≤58,0
Betriebsmodus	%	S1-100	S1-100	S1-100	S1-100
DTP- Trocknungsleistung bei 7 bar	°C	-	-	≤ +3	≤ +3
Abmessungen (netto) L x B x H	mm	577x587x815	750x778x1015	577x628x815	750x778x1015
Nettogewicht ^{c)}	kg	70	128	81	139
Klassifizierung unter EN 60601-1		Klasse I.			

^{a)} Bei Bestellung die Kompressorversion angeben

^{b)} Für andere Druckbereiche kontaktieren Sie den Lieferanten

^{c)} Das Gewicht ist vorläufig und gilt nur für das Produkt ohne Zubehörteile

Abhängigkeit von Kompressorkapazität und Arbeitsdruck



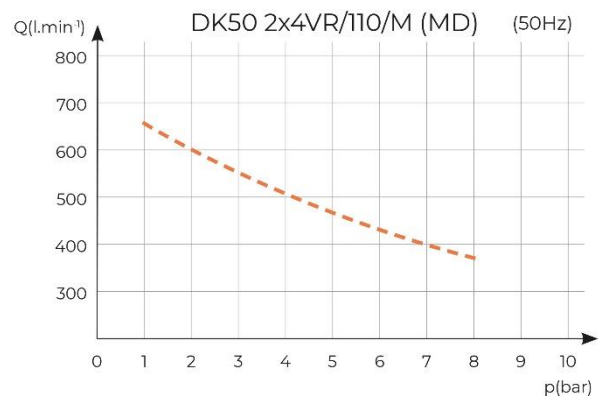
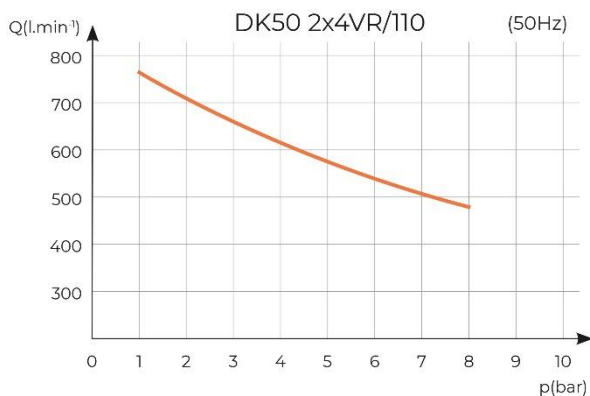
Arbeitsdruck 6 – 8 bar		DK50 2x4VR/110	DK50 2x4VR/110S	DK50 2x4VR/110/M	DK50 2x4VR/110S/M
Nennspannung Frequenz ^{a)}	V, Hz	3x400, 50	3x400, 50	3x400, 50	3x400, 50
Kapazität bei 6 bar (FAD)	l/min	540	540	430	430
Arbeitsdruck ^{b)}	bar	6,0 – 8,0	6,0 – 8,0	6,0 – 8,0	6,0 – 8,0
Nennstrom	A	9,4	10,2	10,1	10,6
Motorleistung	kW	2x2,2	2x2,2	2x2,2	2x2,2
Volumen Drucklufttank	l	110	110	110	110
Luftqualität – Filterung	µm	-	-	0,1	0,1
Max. Betriebsdruck des Sicherheitsventils	bar	9,0	9,0	9,0	9,0
Geräuschpegel bei 5 bar (L _{pA})	dB	≤77,0	≤58,0	≤77,0	≤58,0
Betriebsmodus	%	S1-100	S1-100	S1-100	S1-100
DTP- Trocknungsleistung bei 7 bar	°C	-	-	≤ +3	≤ +3
Abmessungen (netto) L x B x H	mm	1085x511x 830	1260x834x1046	1085x678x830	1260x834x1046
Nettogewicht ^{c)}	kg	136	218	158	240
Klassifizierung unter EN 60601-1		Klasse I.			

a) Bei Bestellung die Kompressorversion angeben

b) Für andere Druckbereiche kontaktieren Sie den Lieferanten

c) Das Gewicht ist vorläufig und gilt nur für das Produkt ohne Zubehörteile

Abhängigkeit von Kompressorkapazität und Arbeitsdruck



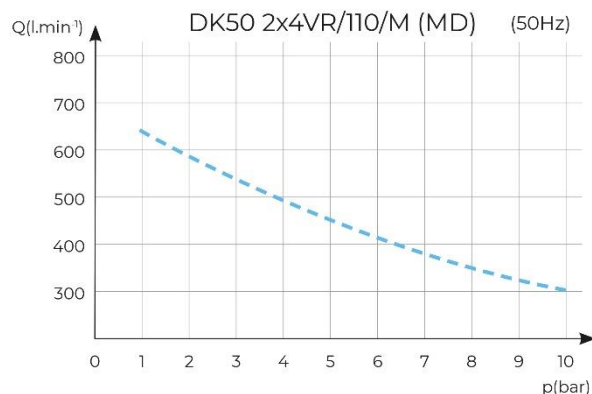
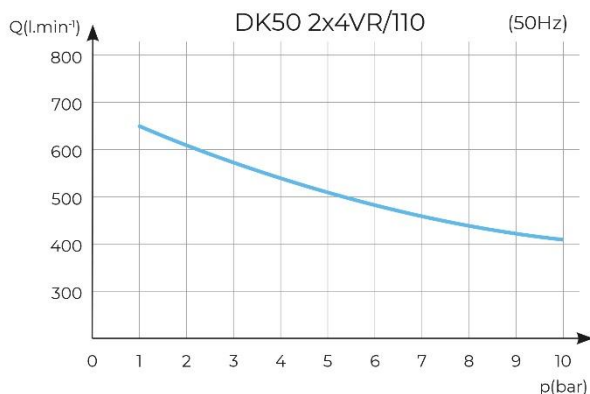
Arbeitsdruck 8 – 10 bar		DK50 2x4VR/110	DK50 2x4VR/110S	DK50 2x4VR/110/M	DK50 2x4VR/110S/M
Nennspannung Frequenz ^{a)}	V, Hz	3x400, 50	3x400, 50	3x400, 50	3x400, 50
Kapazität bei 8 bar (FAD)	l/min	440	440	350	350
Arbeitsdruck ^{b)}	bar	8,0 – 10,0	8,0 – 10,0	8,0 – 10,0	8,0 – 10,0
Nennstrom	A	9,4	10,2	10,1	10,6
Motorleistung	kW	2x2,2	2x2,2	2x2,2	2x2,2
Volumen Drucklufttank	l	110	110	110	110
Luftqualität – Filterung	µm	-	-	0,1	0,1
Max. Betriebsdruck des Sicherheitsventils	bar	12,0	12,0	12,0	12,0
Geräuschpegel bei 5 bar (L _{pA})	dB	≤77,0	≤58,0	≤77,0	≤58,0
Betriebsmodus	%	S1-100	S1-100	S1-100	S1-100
DTP- Trocknungsleistung bei 7 bar	°C	-	-	≤ +3	≤ +3
Abmessungen (netto) L x B x H	mm	1085x511x830	1260x834x104 6	1085x678x830	1260x834x1046
Nettogewicht ^{c)}	kg	136	218	158	240
Klassifizierung unter EN 60601-1		Klasse I.			

^{a)} Bei Bestellung die Kompressorversion angeben

^{b)} Für andere Druckbereiche kontaktieren Sie den Lieferanten

^{c)} Das Gewicht ist vorläufig und gilt nur für das Produkt ohne Zubehörteile

Abhängigkeit von Kompressorkapazität und Arbeitsdruck



FAD-Kapazitätskorrektur für Höhenlagen

Die Kapazität in Form von FAD („Free Air Delivery“ = Volumenstrom bzw. Liefermenge) gilt für die folgenden Bedingungen:

Höhenlage	0 m ü. M.	Temperatur	20 °C
Umgebungsdruck	101325 Pa	Relative Feuchtigkeit	0 %

Um die FAD-Kompressorkapazität in Abhängigkeit von der Höhenlage zu berechnen, muss der Korrekturfaktor gemäß der folgenden Tabelle angewendet werden:

Höhenlage [m ü. M.]	0 bis 1.500	1.501 bis 2.500	2.501 bis 3.500	3.501 bis 4.500
FAD-Korrekturfaktor	1	0,80	0,71	0,60

Konformitätserklärung für elektromagnetische verträglichkeit

Medizinische Geräte erfordern spezielle Vorsichtsmaßnahmen in Bezug auf elektromagnetische Verträglichkeit (EMV) und müssen entsprechend den nachfolgenden EMV-Angaben installiert und verwendet werden.


Anleitung und Herstellererklärung – elektromagnetische Emissionen		
Gemäß IEC 60601-1-2:2014 - Medizinische elektrische Geräte - Teil 1-2: Allgemeine Festlegungen für die Sicherheit einschließlich der wesentlichen Leistungsmerkmale – Ergänzungsnorm: Elektromagnetische Störgrößen - Anforderungen und Prüfungen		
Das Gerät ist für die Verwendung in der nachfolgend beschriebenen elektromagnetischen Umgebung bestimmt: Der Kunde oder Benutzer des Geräts sollte sicherstellen, dass sie in einer derartigen Umgebung zum Einsatz kommt.		
Emissionsprüfung	Compliance	Elektromagnetische Umgebung – Anleitung
HF-Emissionen CISPR 11	Gruppe 1	Das Gerät verwendet HF-Energie nur für seine internen Funktionen. Deshalb sind die HF-Emissionen sehr niedrig, und es ist unwahrscheinlich, dass sie Störungen mit elektronischen Geräten in der Nähe verursachen. Das Gerät ist zur Verwendung in allen Einrichtungen geeignet, einschließlich in häuslichen Einrichtungen und solchen, die direkt an das öffentliche Niederspannungsversorgungsnetzwerk angeschlossen sind, das Gebäude für Wohnzwecke versorgt.
HF-Emissionen CISPR 11	Klasse B	
Oberwellenemissionen IEC 61000-3-2	Klasse A	
Spannungsschwankungen/ Flicker IEC 61000-3-3	Es ist unwahrscheinlich, dass das Gerät Flackern verursacht, da der Stromfluss nach dem Einschalten ziemlich konstant ist.	

Anleitung und Herstellererklärung – elektromagnetische Immunität			
Gemäß IEC 60601-1-2:2014 - Medizinische elektrische Geräte - Teil 1-2: Allgemeine Festlegungen für die Sicherheit einschließlich der wesentlichen Leistungsmerkmale – Ergänzungsnorm: Elektromagnetische Störgrößen - Anforderungen und Prüfungen			
Das Gerät ist für die Verwendung in der nachfolgend beschriebenen elektromagnetischen Umgebung bestimmt: Der Kunde oder Benutzer des Geräts sollte sicherstellen, dass sie in einer derartigen Umgebung zum Einsatz kommt.			
Immunitätsprüfung	IEC 60601-1-2 Teststufe	Compliance-Stufe	Elektromagnetische Umgebung – Anleitung
Elektrostatische Entladung (ESD) IEC 61000-4-2	±8 kV Kontakt ±15 kV Luft	±8 kV Kontakt ±15 kV Luft	Böden sollten aus Holz, Beton oder Keramikfliesen sein. Wenn Böden mit synthetischen Materialien ausgelegt sind, sollte die relative Feuchtigkeit mindestens 30 % betragen.
Elektrische Störgrößen/Burst IEC 61000-4-4	±2 kV für Netzstromleitungen ±1 kV für Eingangs-/Ausgangsleitungen	±2 kV 100 kHz Wiederholfrequenz Angewandt für Netzanschluss	Die Netzstromqualität sollte die einer typischen Gewerbe- oder Krankenhausumgebung sein.
Überspannung IEC 61000-4-5	±1 kV Differenzmodus ±2 kV Gleichtakt	±1 kV L-N ±2 kV L-PE; N-PE Angewandt für Netzanschluss	Die Netzstromqualität sollte die einer typischen Gewerbe- oder Krankenhausumgebung sein.
Spannungseinbrüche, kurze Unterbrechung und Spannungsabweichungen bei Netzstrom-Eingangsleitungen IEC 60601-4-11	$U_T = 0 \%$, 0,5 Zyklus (bei 0, 45, 90, 135, 180, 225, 270 und 315°) $U_T = 0 \%$, 1 Zyklus $U_T = 70 \%$ 25/30 Zyklen (bei 0°) $U_T = 0 \%$ 250/300 Zyklen	$U_T = > 95 \%$, 0,5 Zyklus (bei 0, 45, 90, 135, 180, 225, 270 und 315°) $U_T = > 95 \%$, 1 Zyklus $U_T = 70 \%$ (30 % Einbruch U_T), 25(50Hz)/30(60Hz) Zyklen (bei 0°) $U_T = > 95 \%$, 250(50Hz)/300(60Hz) Zyklus	Die Netzstromqualität sollte die einer typischen Gewerbe- oder Krankenhausumgebung sein. Das Gerät stoppt und startet automatisch bei jedem Einbruch. In diesem Fall tritt kein nicht akzeptabler Druckabfall auf.
Netzfrequenz (50/60 Hz) IEC 61000-4-8	30 A/m	30 A/m	Magnetfelder der Netzfrequenz sollten den typischen Werten eines typischen Standorts in einer typischen Gewerbe- oder Krankenhausumgebung entsprechen.
HINWEIS: U_T ist die Wechselstromspannung vor der Anwendung der Teststufe.			

Anleitung und Herstellererklärung – elektromagnetische Immunität

Gemäß IEC 60601-1-2:2014 - Medizinische elektrische Geräte - Teil 1-2: Allgemeine Festlegungen für die Sicherheit einschließlich der wesentlichen Leistungsmerkmale – Ergänzungsnorm: Elektromagnetische Störgrößen - Anforderungen und Prüfungen

Das Gerät ist für die Verwendung in der nachfolgend beschriebenen elektromagnetischen Umgebung bestimmt: Der Kunde oder Benutzer des Geräts sollte sicherstellen, dass sie in einer derartigen Umgebung zum Einsatz kommt.

Immunitätsprüfung	IEC 60601-1-2 Teststufe	Compliance-Stufe	Elektromagnetische Umgebung – Anleitung
Geleitete HF IEC 61000-4-6	3 Vrms 150 kHz bis 80MHz	3 Vrms	Tragbare und mobile HF-Kommunikationsgeräte sollten nicht näher an einem Teil des Geräts, einschließlich Kabeln, sein, als der empfohlene Trennabstand, der aus der jeweiligen Gleichung für die Frequenz des Senders berechnet wird. Empfohlener Trennabstand $d=1,2\sqrt{P}$ $d=1,2\sqrt{P}$, 80 MHz bis 800 MHz $d=2,3\sqrt{P}$, 800 MHz bis 2,7 GHz wobei P die maximale Ausgangsnennleistung des Senders in Watt (W) gemäß Hersteller des Senders ist und d den empfohlenen Trennabstand in Metern (m) bezeichnet.
Gestrahlte HF IEC 61000-4-3	3 V/m 80 MHz bis 2,7 GHz	3 V/m	Feldstärken aus feststehenden HF-Sendern, wie durch eine elektromagnetische Standortuntersuchung ^a festgelegt, sollten weniger als die Compliance-Stufe in jedem Frequenzbereich ^b betragen. Interferenz kann in der Nähe von Geräten auftreten, die mit dem folgenden Symbol gekennzeichnet sind: 
Abstand von HF-Drahtloskommunikationsgeräten IEC 61000-4-3	9 bis 28 V/m 15 spezifische Frequenzen (380 bis 5800 MHz)	9 bis 28 V/m 15 spezifische Frequenzen (380 bis 5800 MHz)	

HINWEIS 1 Bei 80 MHz und 800 MHz gilt der jeweils höhere Frequenzbereich.

HINWEIS 2 Diese Richtlinien gelten möglicherweise nicht in allen Situationen. Elektromagnetische Ausbreitung wird durch die Absorption und Reflektion von Strukturen, Objekten und Personen beeinflusst.

^a Feldstärken von feststehenden Sendern, z. B. Basisstationen für Funktelefone (mobil/kabellos) und mobiler Landfunk, Amateurfunk, AM- und FM-Radiübertragung und TV-Übertragung können theoretisch nicht mit Genauigkeit prognostiziert werden. Für die Bewertung eines elektromagnetischen Umfeldes aufgrund von feststehenden HF-Sendern sollte eine elektromagnetische Standortüberprüfung in Betracht gezogen werden. Wenn die gemessene Feldstärke an dem Standort, an dem das Gerät verwendet wird, die oben genannte geltende HF-Compliance-Stufe übersteigt, sollte das Gerät beobachtet werden, um den Normalbetrieb zu überprüfen. Wenn ein abnormes Verhalten festgestellt wird, sind möglicherweise zusätzliche Maßnahmen erforderlich, z. B. Neuausrichtung oder Standortwechsel des Geräts.

^b Über den Frequenzbereich von 150 kHz bis 80 MHz sollten die Feldstärken weniger als 3 V/m betragen.

INSTALLATION**Risiko von Installationsfehlern**

Der Kompressor darf nur durch einen hierfür qualifizierten Techniker installiert und in Betrieb genommen werden. Dieser ist verpflichtet, professionelles Bedienpersonal bzgl. der Nutzung und Wartung der Gerätschaften zu schulen. Für den Nachweis einer Installations- und Bedienerschulung erfolgt ein Eintrag in das Installationsprotokoll der Gerätschaft. (Siehe Anhang)

10. INSTALLATIONSBEDINGUNGEN

- Der Kompressor darf nur in trockenen, gut belüfteten und staubfreien Umgebungen unter den im Kapitel „Technische Daten“ aufgeführten Bedingungen installiert und verwendet werden.

**Beschädigungsgefahr für das Gerät!**

Die Gerätschaft darf nicht im Freien oder in sonstigen nassen oder feuchten Umgebungen verwendet werden.

**Es besteht Explosionsgefahr!**

Es ist verboten, die Gerätschaft in Räumen zu betreiben, in denen sich explosive Gase oder brennbare Flüssigkeiten befinden.

**Verbrennungs- oder Brandgefahr! Vorsicht! Heiße Oberfläche!**

Teile des Kompressors können während des Betriebs heiß werden und gefährliche Temperaturen erreichen, welche die Materialien schädigen oder das Bedienpersonal verletzen können.

- Der Kompressor muss so installiert werden, dass er für die Bedienung und Wartung jederzeit leicht zugänglich ist. Stellen Sie sicher, dass das Typenschild auf dem Gerät leicht lesbar ist.
- Der Kompressor muss auf einer ebenen und ausreichend stabilen Unterlage stehen (bezogen auf das Gewicht des Kompressors ist Vorsicht geboten, siehe Kapitel „Technische Daten“).
- Jede über diesen Nutzungsrahmen hinausgehende Verwendung wird als unsachgemäße Nutzung betrachtet. Der Hersteller ist nicht verantwortlich für Schäden, die aus einer solchen unsachgemäßen Nutzung entstehen. Der Bediener/Nutzer übernimmt alle Risiken.

**Gefahr durch hohe Temperaturen!**

Das Anbringen von Luftströmungshindernissen vor und hinter dem Kühler ist unzulässig. Die Temperatur der internen und externen Teile des Kühlers kann hoch sein und gefährliche Werte erreichen.



Wenn Sie das Produkt erstmals einsetzen, stellen Sie möglicherweise (für kurze Zeit) einen Geruch nach „neuem Produkt“ fest. Dieser Geruch ist vorübergehend und beeinträchtigt die normale Nutzung des Produkts nicht. Sorgen Sie dafür, dass der Raum nach der Installation richtig gelüftet wird.

11. ZUSAMMENBAU DES KOMPRESSORS**11.1. Handhabung und Freischalten des Kompressors**

- Packen Sie den Kompressor aus.
- Positionieren Sie den Kompressor am Installationsort. (Abb. 4)

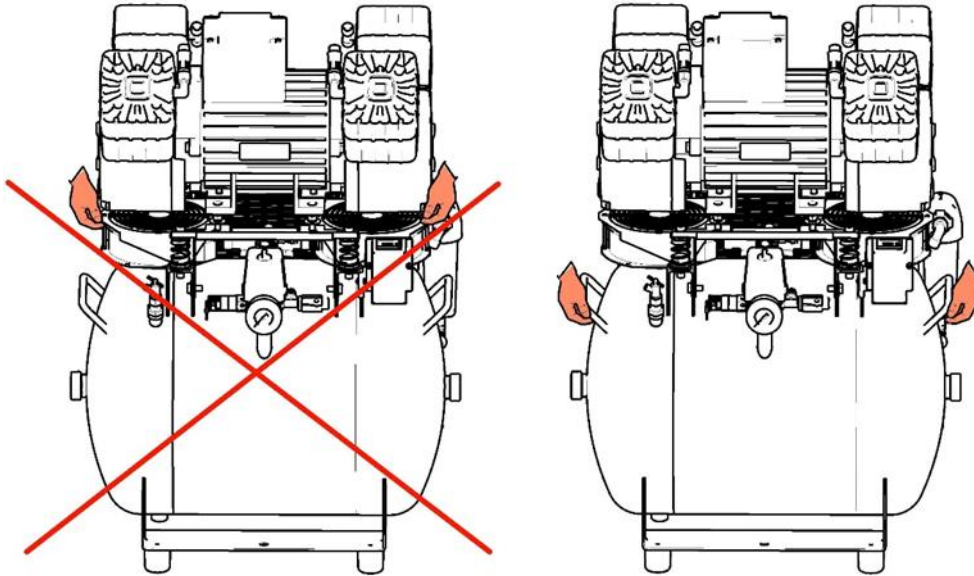


Verwenden Sie die Griffe am Kompressor, um ihn bei Bedarf zu bewegen. Verwenden Sie keine anderen Teile des Kompressors (das Aggregat, den Kühler usw.) als Griff.

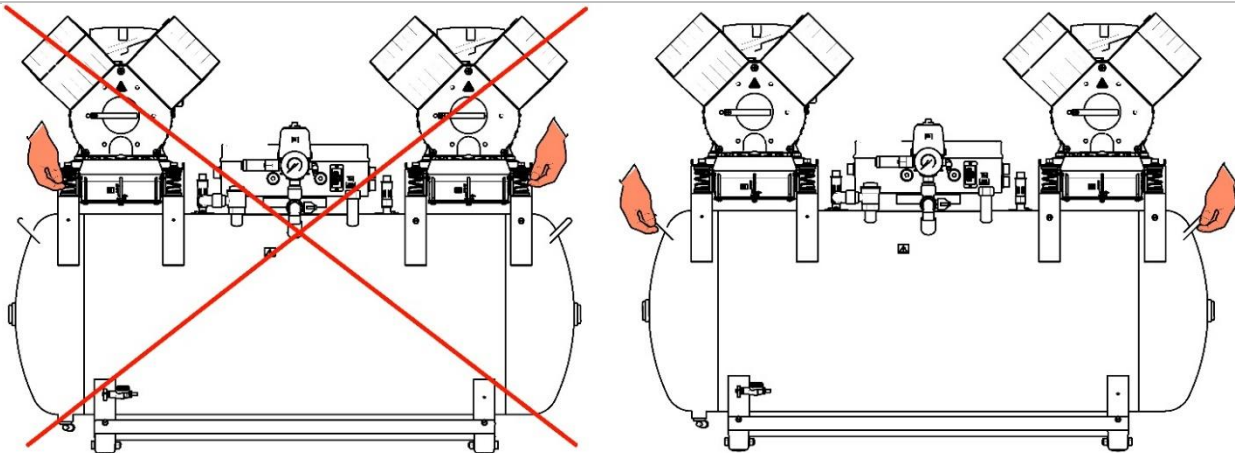


Für die Handhabung der Gerätschaft sind mindestens zwei Personen erforderlich.

Abb. 4: Handhabung des Kompressors



DK50 4VR/50



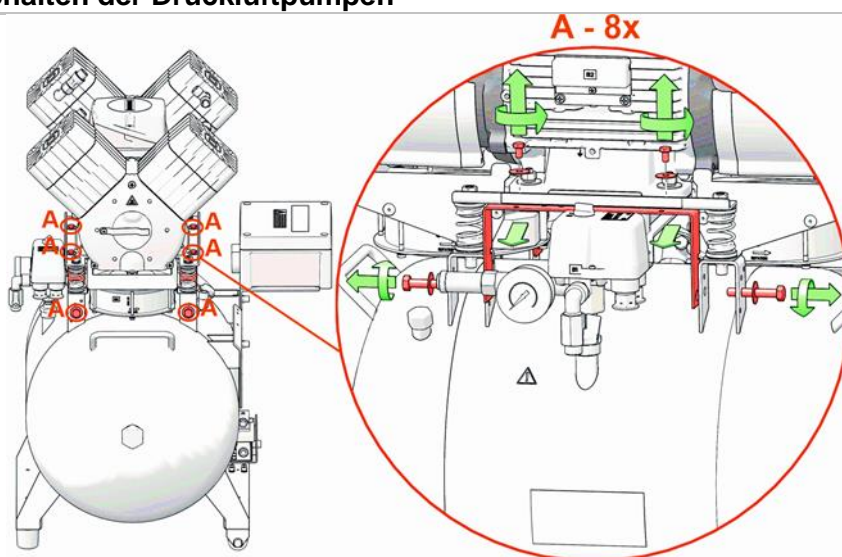
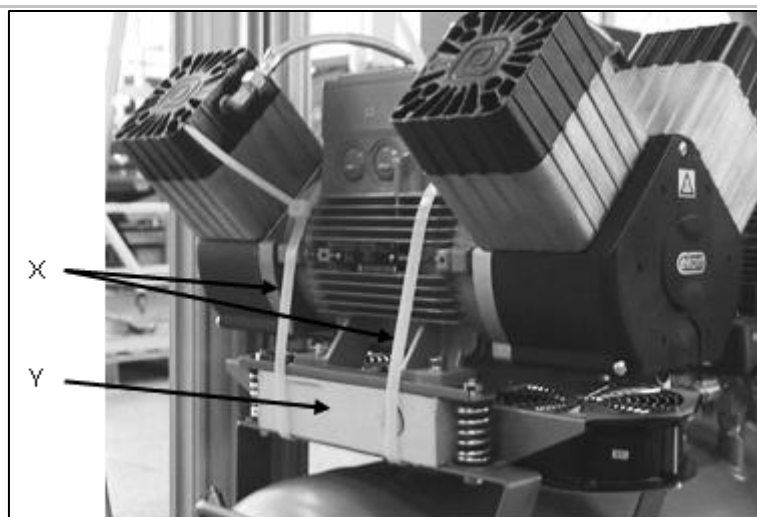
DK50 2x4VR/110

- Entfernen Sie die Transporthilfen aus den Druckluftpumpen (Abb. 5).



Stellen Sie vor der Installation sicher, dass der Kompressor frei von Verpackungsmaterial und Stabilisatoren ist, um Schäden am Produkt zu vermeiden.

Entfernen Sie alle für die Sicherung der Aggregate verwendeten Komponenten, nachdem der Kompressor am endgültigen Einsatzort installiert und nivelliert wurde.

Abb. 5: Freischalten der Druckluftpumpen**DK50 4VR/50****DK50 2x4VR/110****11.2. Platzierung des Kompressors im Gehäuse**

DK50 4VR/50S (Abb. 3-A):

Ausbau der Schranktür

- Entfernen Sie die von 2 Schrauben gehaltene Tür und trennen Sie den Erdungsdraht.

Kompressoreinbau

- Entfernen Sie die Anschlussleiste (30) vor dem Schrank.
- Setzen Sie den Kompressor mithilfe des Griffs (26) in den Schrank ein, platzieren Sie die Anschlussleiste vor dem Schrank und justieren Sie die Position des Kompressors so, dass die beiden „V“-Nuten der Anschlussleiste (30) an den Kompressorfüßen ausgerichtet sind. Damit wird der Kompressor in die richtige Position innerhalb des Schranks gebracht.
- Setzen Sie den Kompressor mit einem Trockner in den Schrank ein, sodass der Trocknerventilator in die Öffnung des Kühltunnels im Schrank passt. **ACHTUNG:** Drücken Sie den Kompressor nicht ganz gegen den Anschlag. Bei Trocknerversionen des Kompressors ist der Kühltluftstrom in den Kühler beschränkt und es können dauerhafte Schäden am Trockner

entstehen.

- Bringen Sie die Anschlussleiste (30) an ihrer ursprünglichen Position im unteren Schrankbereich an.

Einbau der Schranktür

- Richten Sie die Tür am Schrank aus, verbinden Sie den Erdungsdraht mit der Tür und bringen Sie die Tür mithilfe von 2 Befestigungselementen am Schrank an.



Schieben Sie den Kompressor nicht ganz bis zur Rückseite des Schanks, da dadurch der Trockner dauerhaft beschädigt werden kann.

DK50 2x4VR/110S (Abb. 3-B):

Öffnen der oberen Abdeckung

- Öffnen Sie die Verriegelung durch Drehen mit einem Schraubendreher, wie im Piktogramm gezeigt, und ziehen Sie sie mithilfe des Griffs hoch.
- Die Gasfedern halten die Abdeckung offen.



Achten Sie beim Schließen der Abdeckung am Gehäuse darauf, sich nicht die Finger einzuklemmen.

Verriegeln Sie nach dem Schließen die Abdeckung am Gehäuse stets mit den Schnellverschlüssen.

Entfernen der Vorderabdeckung des Gehäuses

- Entfernen Sie die von 4 (M5) Befestigungselementen gehaltene Tür und trennen Sie den Erdungsdraht.

Kompressoreinbau

- Setzen Sie den Kompressor mit einem Trockner in den Schrank ein, sodass der Trocknerventilator in die Öffnung des Kühltunnels im Schrank passt. Überprüfen Sie die Positionierung des Kompressors im Schrank anhand Abb. 6.



Schieben Sie den Kompressor nicht ganz bis zur Rückseite des Schanks, da dadurch der Trockner dauerhaft beschädigt werden kann.

Einbau der Gehäusetür

- Bringen Sie die Tür am Schrank an und schließen Sie die Erdungsdraht an der Tür an. Bringen Sie die Tür am Schrank an und befestigen Sie sie mit den 4 Befestigungselementen.

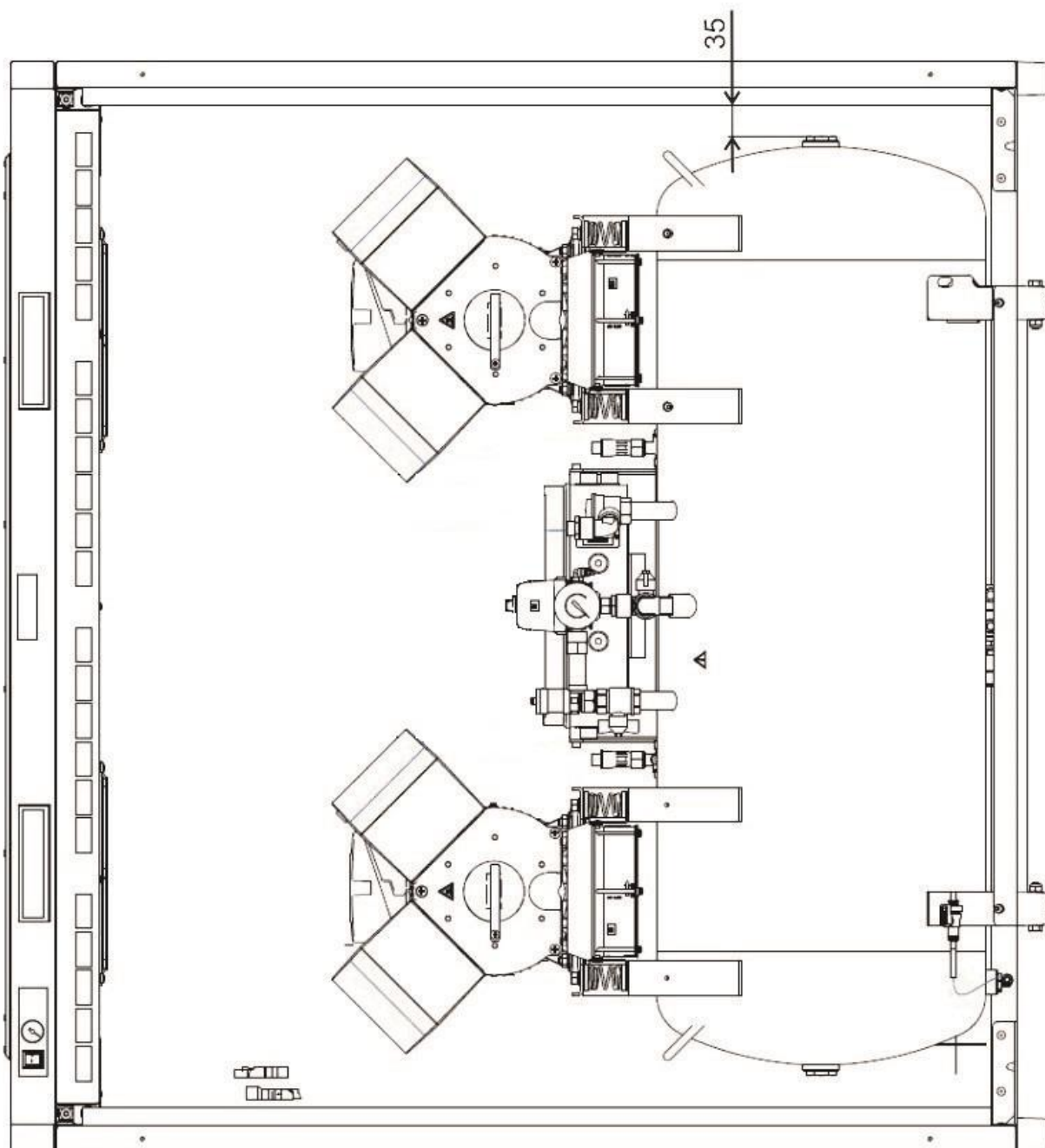


Abb. 6: Platzierung des Kompressors im Gehäuse

11.3. Ventil-Installation auf dem Kondensatablauf vom Schrank (DK50 2x4VR/110)

Installieren Sie für im Gehäuse montierte Kompressoren die Gewindearmatur mit dem Ventil (1) in der Öffnung seitlich im Schaltschrank und installieren Sie den PA-Schlauch mit $\text{Ø } 8 / \text{Ø } 6$ (2). Führen Sie die andere Seite des Schlauchs in die Armatur (4) unter dem Druckluftbehälter ein, aus dem das Ventil (3) und der Schlauch entfernt werden.

Verwenden Sie einen Stopfen mit $\text{Ø } 16,5$, um die andere Schrankseite abzudichten.

Die Armatur mit dem Ventil sind Standardteile, die mit dem Schrank geliefert werden. Das Kondensatablaufventil kann an einer beliebigen Seite des Kompressors installiert werden.

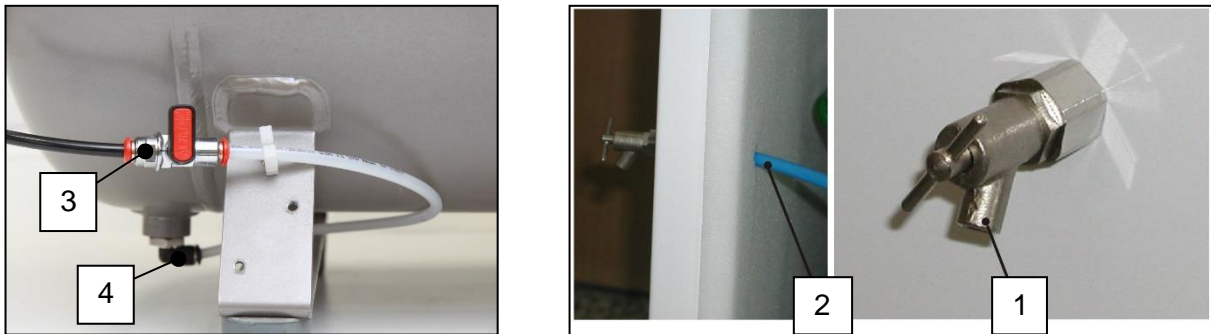


Abb. 7: Ventil-Installation auf dem Kondensatablauf vom Schrank (DK50 2x4VR/110)



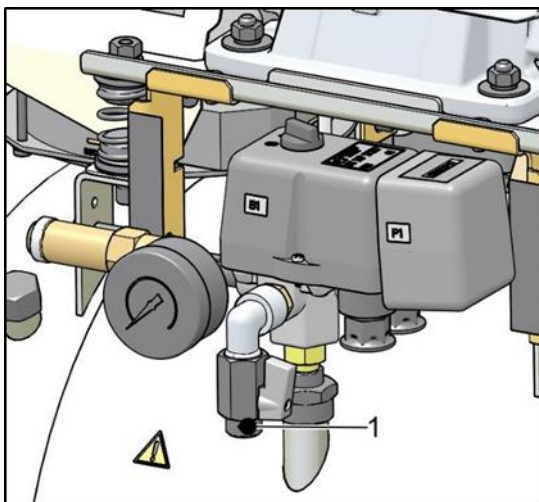
Verwenden Sie bei der Demontage des Kompressors einen Schraubendreher, um den Gehäusestecker zu entfernen!

12. PNEUMATISCHER ANSCHLUSS

12.1. Anschluss an den Druckluftausgang

- Führen Sie den Druckluftschlauch vom Druckluftausgang (1) zur angeschlossenen Gerätschaft.
- Führen Sie den Druckschlauch bei Kompressoren mit Schrankmontage durch die Öffnung an der Rückwand des Schrankes.
- A-G-3/8" (DK50 4VR/50), G1/2" (DK50 2x4VR/110)-Verbindung ist installiert.

DK50 4VR/50



DK50 2x4VR/110



Abb. 8: Anschluss an den Druckluftausgang

12.2. Verbinden des Schrank-Druckmessers mit dem Kompressor

- Entfernen Sie den Stopfen (1) von den Gewinden (2) am Druckluftblock des Kompressors.
- Verbinden Sie den Gehäuse-Druckmesserschlauch mit dem Gewindeanschluss.

DK50 4VR/50

DK50 2x4VR/110

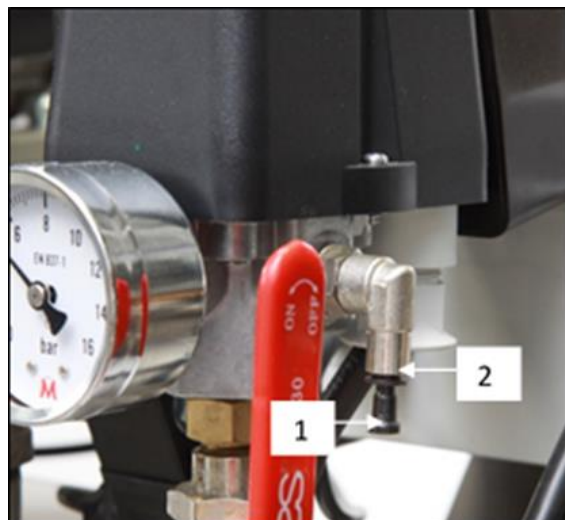
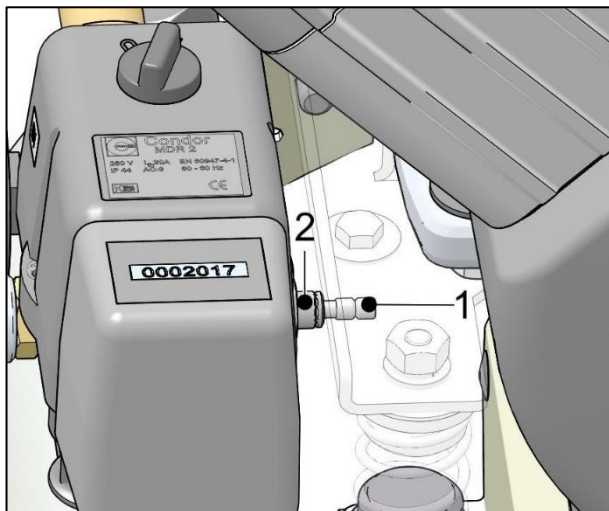


Abb. 9: Verbinden des Gehäuse-Druckmessers mit dem Kompressor

Kondensatablass vom Trockner



Verbinden Sie den Kondensatablauf nicht direkt mit einer Abflussrinne! Passanten können verletzt werden!

- Schließen Sie einen Schlauch an Auslass des automatischen Kondensatablaufs an die Ablaufleitungen oder an den bereitgestellten Sammelbehälter an.

DK50 4VR/50

DK50 2x4VR/110

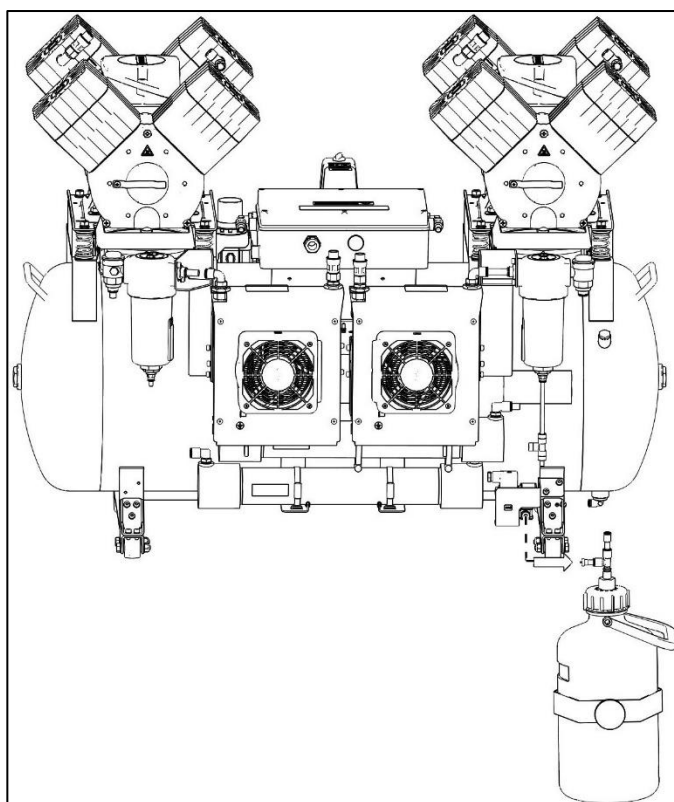
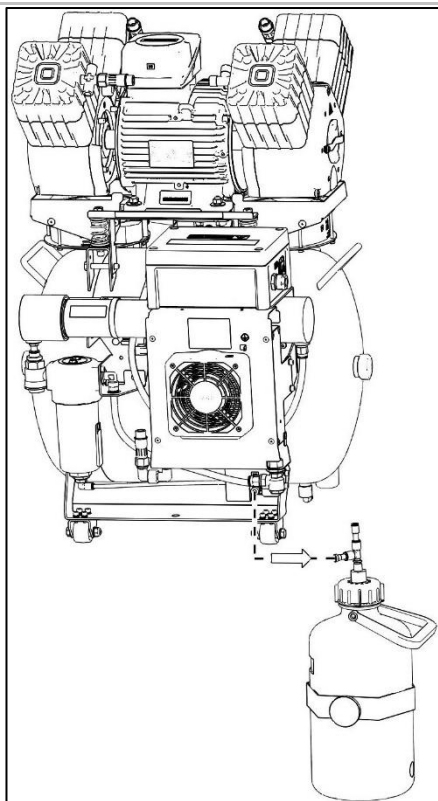


Abb. 10: Kondensatablauf

12.3. Führung der Schläuche und Stromkabel bei Kompressoren mit Gehäusemontage

- Führen Sie bei Kompressor-Modellen mit Trockner den Schlauch und die Stromkabel durch die Öffnung an der Rückwand des Gehäuses.



Beschädigungsgefahr für Pneumatikkomponenten!

Druckluftschläuche müssen unbeschädigt sein.

13. ELEKTRISCHER ANSCHLUSS

- Das Produkt wird mit einem Kabel mit Stecker und Erdungsstift geliefert.
- Führen Sie bei im Gehäuse montierten Kompressoren das Stromkabel durch die Öffnung in der Rückwand des Gehäuses.
- Die Steckdose muss leicht zugänglich sein, damit das Gerät sicher vom Strom getrennt werden kann.
- Der Stromkreis muss im Sicherungskasten max. 16 A haben.



Stromschlaggefahr!

Alle relevanten elektrotechnischen Vorschriften am Aufstellungsort sind einzuhalten. Die Netzspannung und Netzfrequenz müssen mit den Angaben auf dem Geräteetikett übereinstimmen.



Brand- und Stromschlaggefahr!

Stromkabel müssen unbeschädigt sein.



Brand- und Stromschlaggefahr!

Stromkabel dürfen nicht mit heißen Kompressorteilen in Berührung kommen.

- Verbinden Sie den Stift für den Potenzialausgleich 6 Ø mm (1) mit dem Stromkreislauf entsprechend der in den gültigen Vorschriften für elektrische Arbeiten aufgeführten Methode.
- Die Buchse für den Potenzialausgleich (2) ist ein Zubehörteil und nicht im Grundpaket enthalten.



Abb. 11: Potenzialausgleich

- Montieren Sie den Stecker des Erdungsleiters an der Tür und verschrauben Sie ihn am Gehäuse.

Stromversorgung

Versorgungsspannung	Art der elektrischen Leitung
230V/50 (60) Hz	3Gx1.5x4000
400V/50 (60) Hz	5Gx1.5x4000

13.1. Anschließen eines Kompressors ohne Gehäuse

- Stecken Sie den Netzstecker in eine Steckdose mit entsprechender Spannung.
- Der Kompressor ist nun betriebsbereit.

13.2. Anschließen eines Kompressors mit Gehäuse

- Führen Sie bei Kompressoren mit Gehäuse den Netzstecker durch die Öffnung an der Rückwand des Gehäuses. (Abb. 12)
- Schließen Sie den Stromanschluss des Schaltschranks an den Kompressor an, indem Sie den Stecker des mitgelieferten Netzkabels in eine Steckdose stecken. (Abb. 13)
- Unterbrechen Sie die den elektrischen Anschluss zwischen Schaltschrank und Kompressor, indem Sie den Stecker aus der Steckdose ziehen, während die Verriegelung gelöst ist.



Abb. 12: Öffnung in der Rückwand des Gehäuses



Abb. 13: Anschließen des Gehäuses an den Kompressor

14. INBETRIEBNAHME

- Stellen Sie sicher, dass alle Transporthilfen entfernt wurden.
- Kontrollieren Sie, dass die Anschlüsse aller Druckluftleitungen korrekt sind. (siehe Kapitel 12)
- Überprüfen Sie den korrekten Anschluss an den Netzstrom (siehe Kapitel 13).
- Überprüfen Sie die Position des Trennschalters; dieser muss auf der „I“-Position stehen. Wenn der Hauptschalter (2) auf der Stellung „0“ steht, stellen Sie ihn auf die Stellung „I“. (Abb. 14)
- Drehen Sie bei Kompressoren mit Gehäuseeinbau den Schalter (4) an der Vorderseite des Schrankes auf die „I“-Position; eine grüne Lampe zeigt an, dass die Gerätschaft in Betrieb ist. (Abb. 14)

- Überprüfen Sie die Verbindung des Gehäusesteckers zum Kompressor (Abb. 13).
- Überprüfen Sie die Verbindung des Gehäuse-Manometerschlauchs zum Pneumatikblock des Kompressors (Abb. 9).
- Überprüfen Sie, ob der Schlauch des automatischen Kondensatablaufs an den Sammelbehälter angeschlossen ist. (Abb. 10)

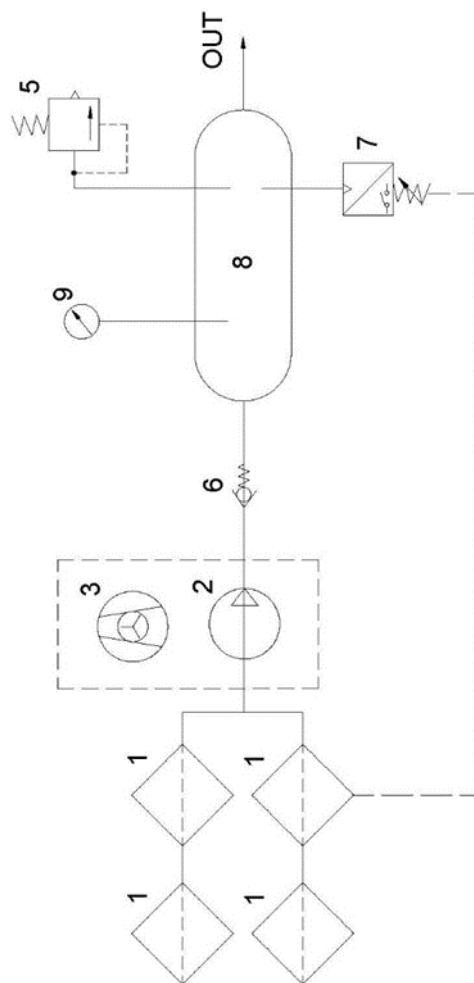


Der Kompressor besitzt keine Reserveenergiequelle.

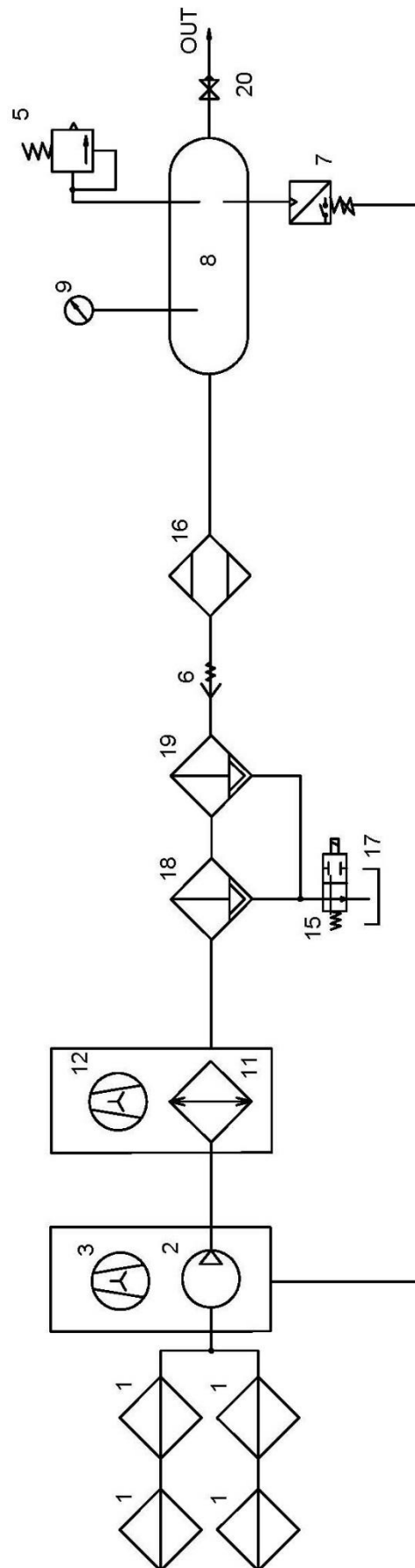
15. DRUCKLUFT- UND ELEKTROSCHALTPLÄNE

15.1. Druckluftplan

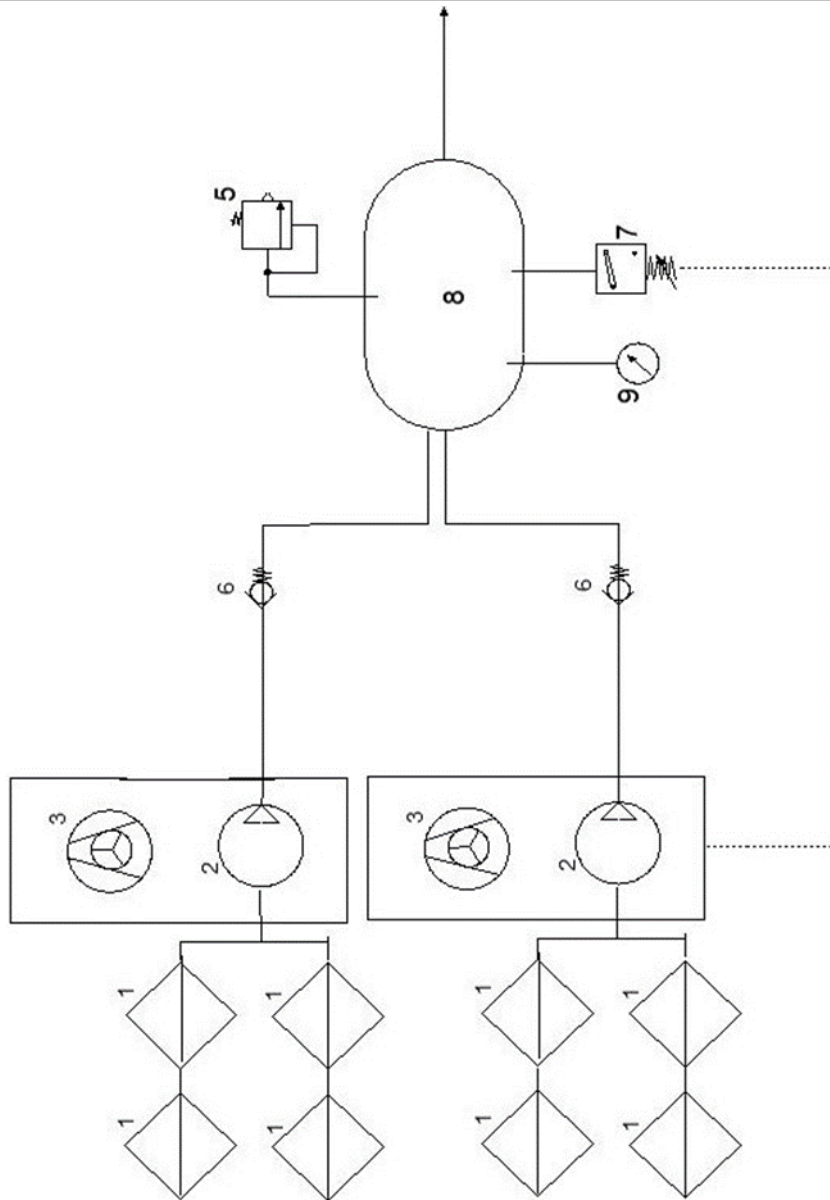
DK50 4VR/50



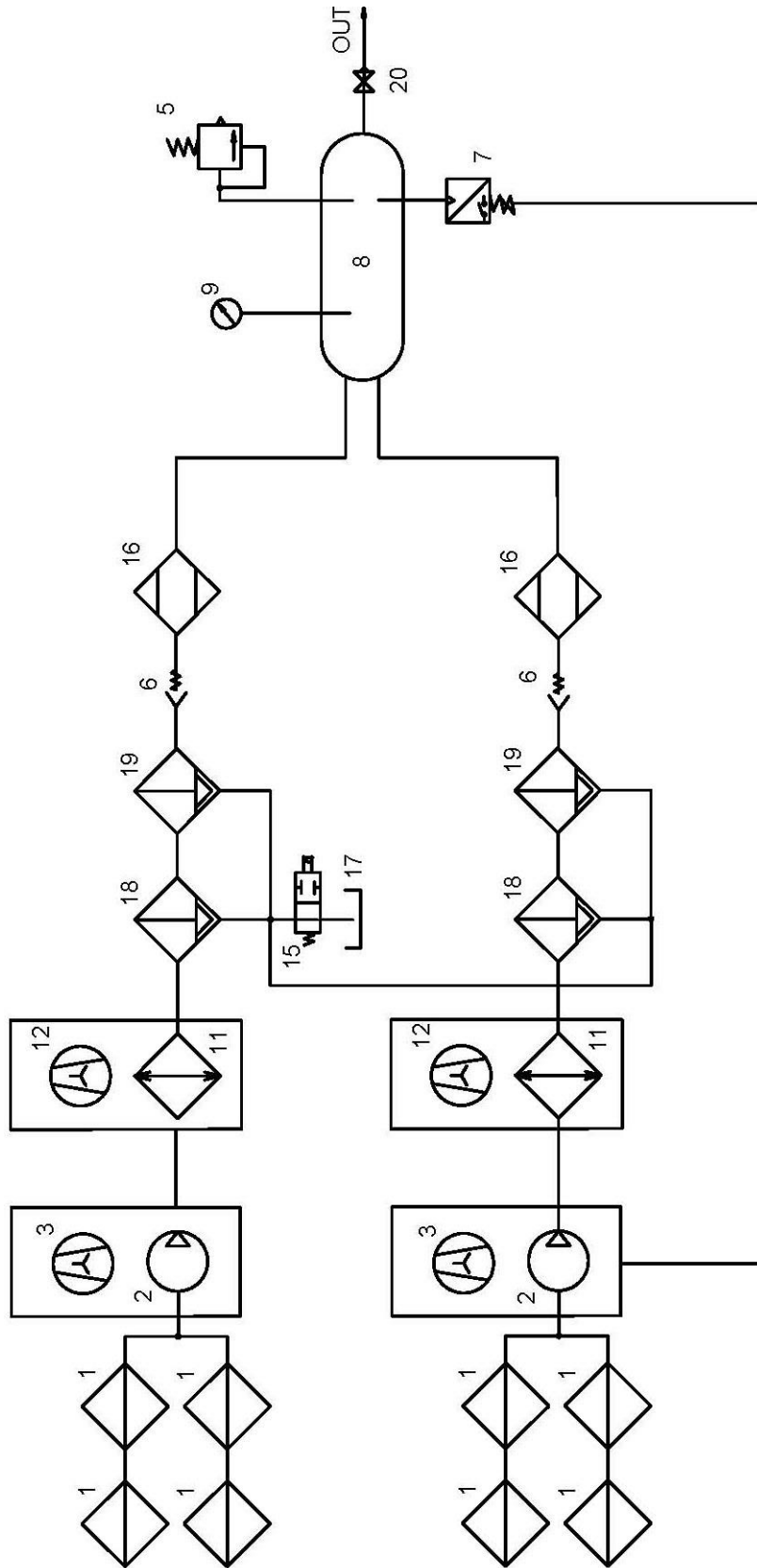
DK50 4VR/50/M



DK50 2x4VR/110



DK50 2x4VR/110/M



Beschreibung des Druckluftplans:

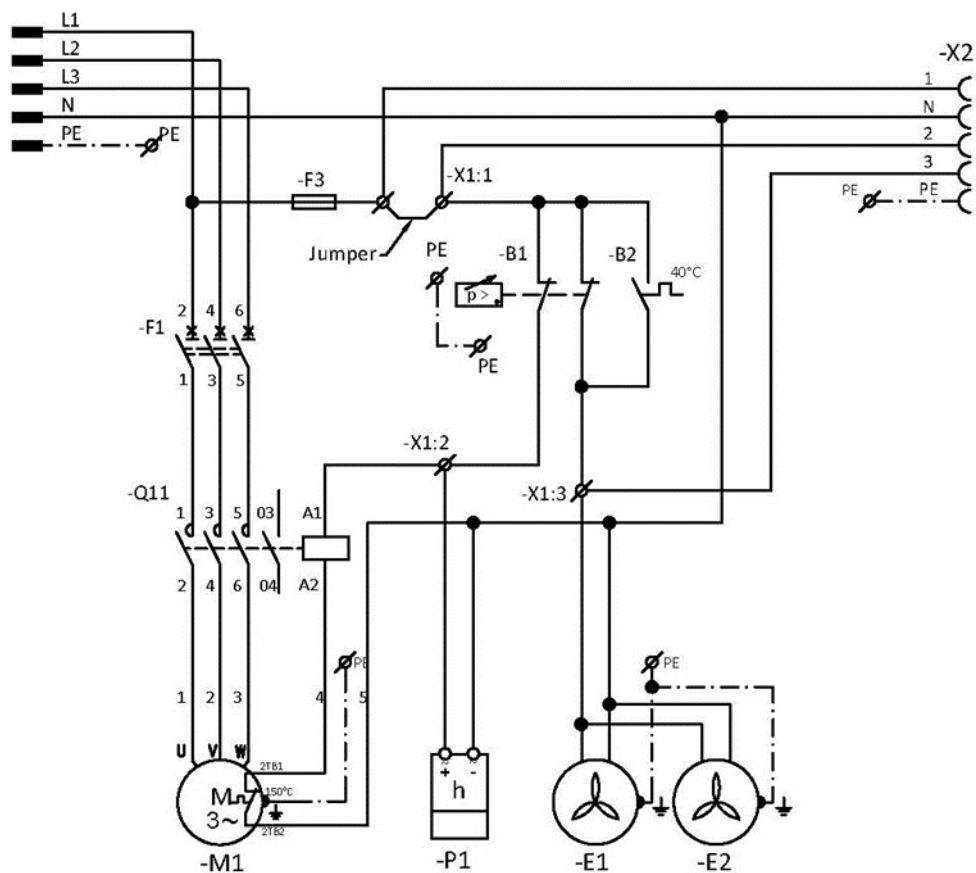
- | | | | |
|----|-------------------|----|-----------------------------|
| 1 | Ansaugfilter | 11 | Kühler |
| 2 | Kompressor | 12 | Kühlerlüfter |
| 3 | Lüfter | 13 | - |
| 4 | - | 14 | - |
| 5 | Sicherheitsventil | 15 | Kondensatablassmagnetventil |
| 6 | Rückschlagventil | 16 | Trockner |
| 7 | Druckschalter | 17 | Kondensatauffangbehälter |
| 8 | Druckluftbehälter | 18 | Filter |
| 9 | Manometer | 19 | Mikrofilter |
| 10 | - | | |

15.2. Elektroschaltpläne**DK50 4VR/50****6 - 8 bar, 8 - 10 bar**

3/N/PE-400V, 50Hz

NETZ TN-S [TN-C-S]

ELEKTRISCHES OBJEKT 1. KAT.



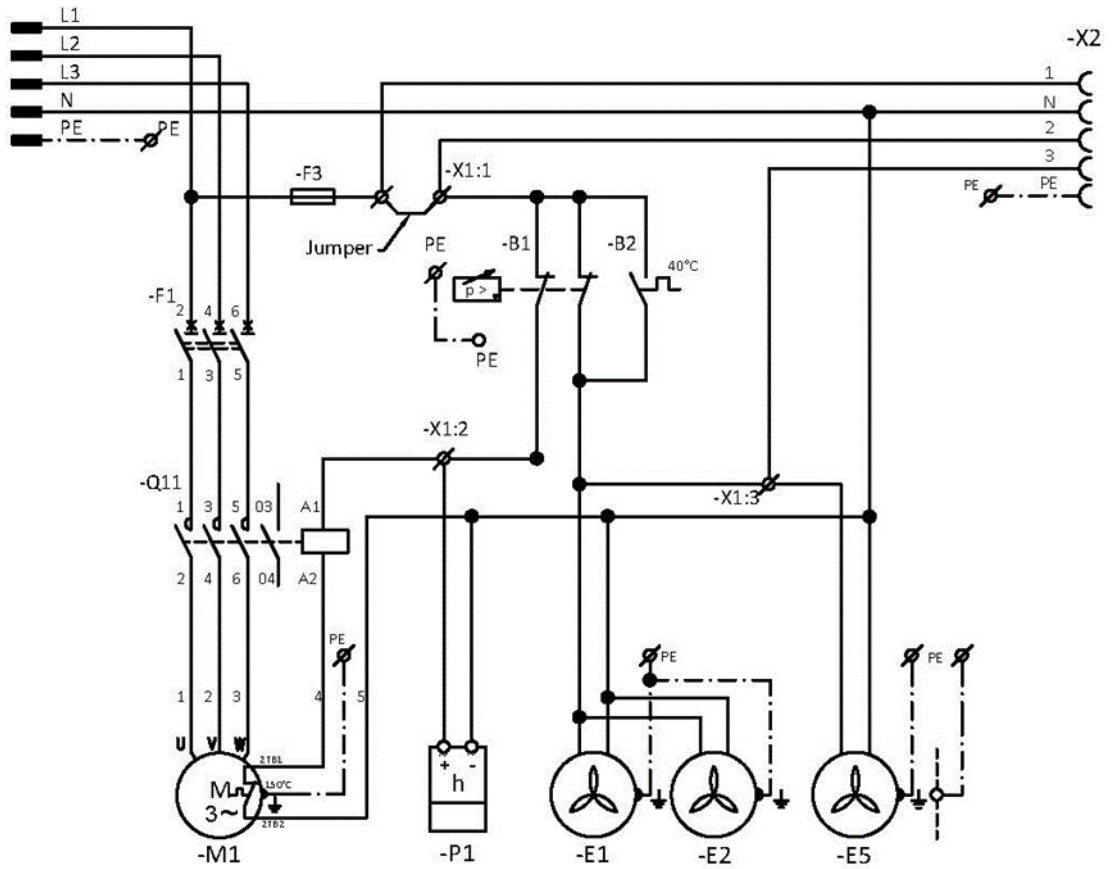
DK50 4VR/50/M

6 - 8 bar, 8 - 10 bar

3/N/PE~400V, 50Hz

NETZ TN-S [TN-C-S]

ELEKTRISCHES OBJEKT 1. KAT.



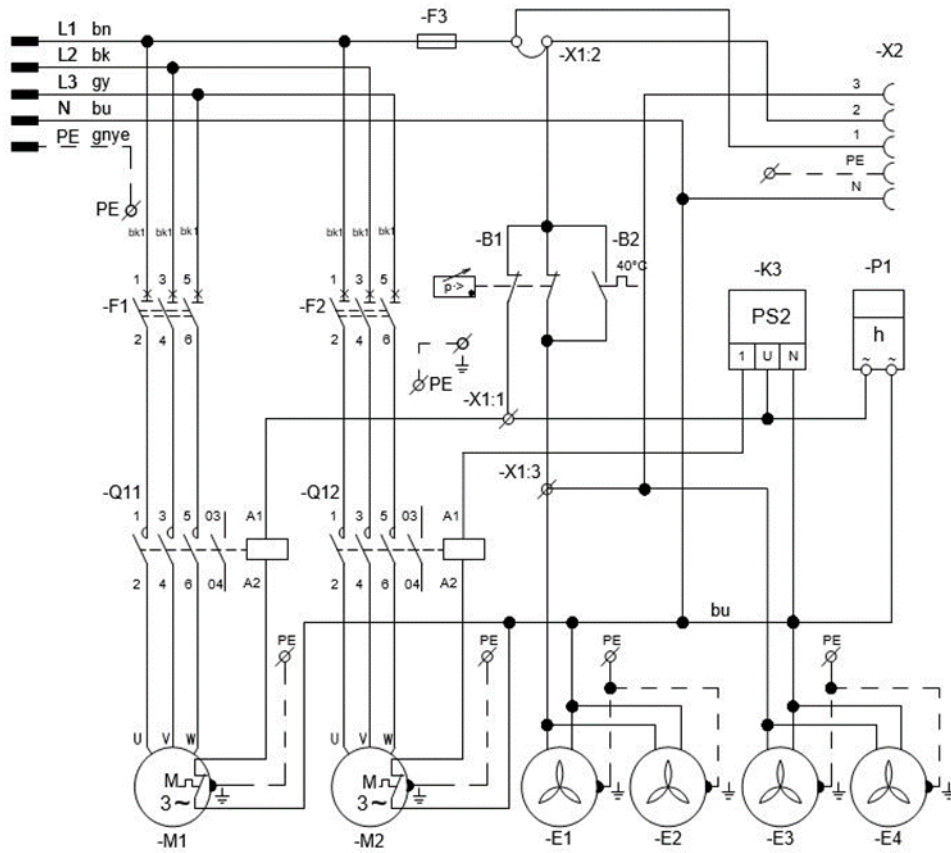
DK50 2x4VR/110

6 - 8 bar, 8 - 10 bar

3/N/PE~400V, 50Hz

NETZ TN-S [TN-C-S]

ELEKTRISCHES OBJEKT 1. KAT.



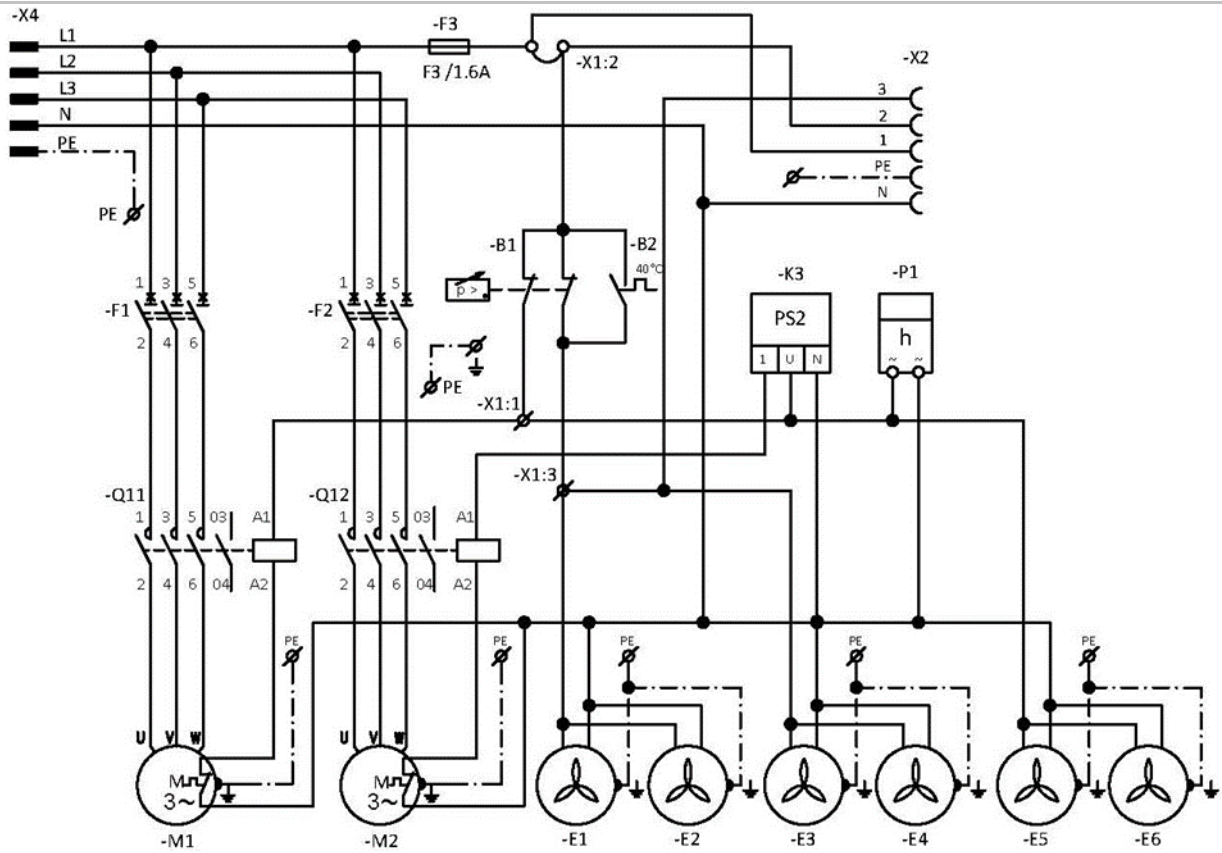
DK50 2x4VR/110/M

6 - 8 bar, 8 - 10 bar

3/N/PE~400V, 50Hz

NETZ TN-S [TN-C-S]

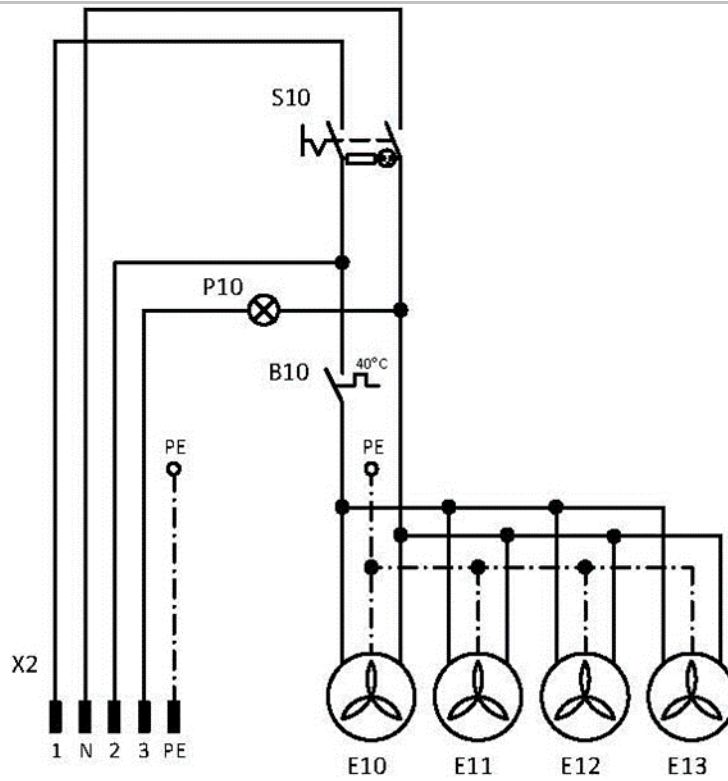
ELEKTRISCHES OBJEKT 1. KAT.



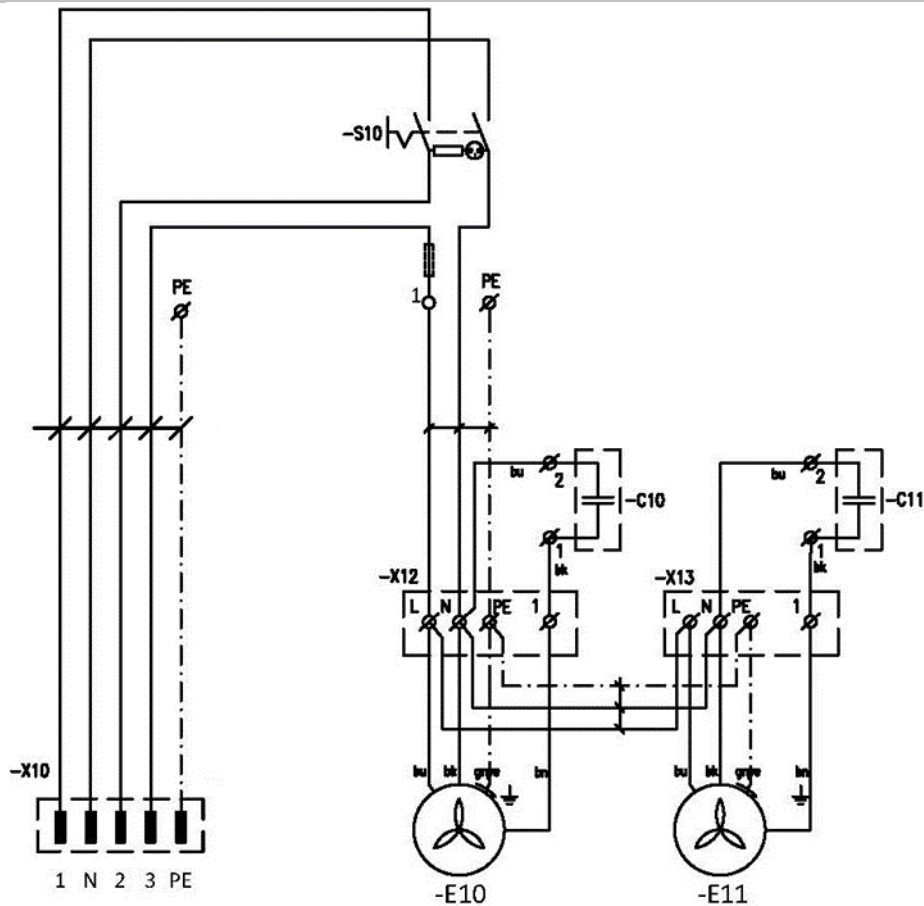
Kompressorgehäuse

1/N/PE ~ 230V 50/60Hz

ELEKTRISCHES OBJEKT 1. KAT.



DK50 4VR/50



DK50 2x4VR/110

Beschreibung der Elektroschaltpläne:

M1, M2	Kompressormotor	X1	Klemmblock
E1 – E4	Kompressorlüfter	X2	Verbindungsstecker
F3	Sicherung	M11, M12	Trockner-Magnetventil
F1, F2	Ausschalter	E5 – E8	Trocknerlüfter
K3	Motorverzögerungsblock	S10	Schalter
B1	Druckschalter	E10-13	Gehäuselüfter
B2	Temperaturschalter	X10, X11	Verbindungsstecke
Q11,12	Schütz	P10	LED - SERVICE gilt für Trockner
P1	Stundenzähler	B10	Wärmeschalter

BETRIEB

DAS GERÄT DARF NUR DURCH GESCHULTES PERSONAL BEDIENT WERDEN!



Stromschlaggefahr!

Bei Gefahr den Kompressor vom Stromnetz trennen (Netzstecker ziehen)!



Verbrennungs- oder Brandgefahr!

Teile des Aggregats können während des Betriebs heiß werden und gefährliche Temperaturen erreichen, die die Materialien schädigen oder das Bedienpersonal verletzen können.



Achtung – Kompressor wird automatisch gesteuert.

Automatischer Start. Sinkt der Druck im Druckluftbehälter unter den Einschaltdruck, schaltet sich der Kompressor automatisch ein. Der Kompressor schaltet sich automatisch aus, wenn der Druck im Druckluftbehälter den Abschaltdruck erreicht.



Beschädigungspotenzial für Pneumatikkomponenten!

Die Einstellungen des Arbeitsdrucks für den Druckschalter, die vom Hersteller eingestellt sind, können nicht geändert werden. Der Kompressorbetrieb bei einem Betriebsdruck unter dem Schaltdruck weist auf einen hohen Luftverbrauch hin (siehe Kapitel „Fehlerbehebung“).



Die benötigte Trocknungsleistung kann nur erreicht werden, wenn die angegebenen Betriebsbedingungen eingehalten werden.

Die Trocknungsleistung lässt nach und der erreichte Taupunkt fällt, wenn der Trockner bei einem Druck unterhalb des Mindestarbeitsdrucks benutzt wird.



Bei längerem Betrieb des Kompressors erhöht sich die Umgebungstemperatur um den Kompressor herum möglicherweise auf über 40 °C. An diesem Punkt schaltet sich der Kühlventilator automatisch ein. Der Lüfter schaltet sich aus, sobald der Bereich auf circa 32 °C heruntergekühlt wurde.

16. EINSCHALTEN DES KOMPRESSORS

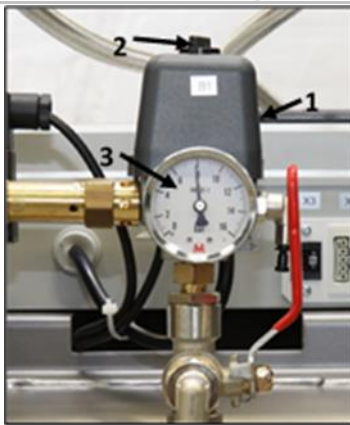
Starten Sie den Kompressor (ohne Gehäuse) am Druckschalter (1), indem Sie den Schalter (2) auf Position „I“ stellen. Dadurch wird der Kompressor gestartet und der Tank bis zum Ausschaltdruck gefüllt, wodurch der Kompressor abgeschaltet wird.

Starten Sie den Kompressor (mit Gehäuse) über den Schalter (4) an der Vorderseite des Gehäuses. Die Anzeige leuchtet grün. Dies startet den Kompressor und füllt den Tank bis zum Ausschaltdruck, was den Kompressor abschaltet.

Der Kompressor läuft im Automatikmodus und wird durch den Druckschalter abhängig vom Druckluftverbrauch ein- und ausgeschaltet.

Überprüfen Sie die Werte des Ein- und Ausschaltdrucks mithilfe des Druckmessers (3). Eine Toleranz von $\pm 10\%$ ist zulässig. Der Druck im Druckluftbehälter darf den zulässigen Betriebsdruck nicht überschreiten.

Abb. 14: Schalten des Kompressors



Beschädigungsgefahr für Pneumatikteile!

Der Druckschalter (1) wurde durch den Hersteller eingestellt. Eine weitere Einstellung darf nur durch einen qualifizierten Techniker vorgenommen werden, der durch den Hersteller geschult wurde.

17. AUSSCHALTEN DES KOMPRESSORS

- Das Ausschalten des Kompressors für Wartungsarbeiten oder aus anderen Gründen erfolgt über den Druckschalter (1), indem der Schalter (2) auf die Position „0“ (Abb. 14) gestellt und **der Netzstecker aus der Steckdose gezogen wird**. Damit wird der Kompressor von der Netzstromversorgung getrennt.
- Lassen Sie die Druckluft im Druckluftbehälter durch Öffnen des Ablassventils vollständig ab.

PRODUKTWARTUNG

18. PRODUKTRWARTUNG



Der Bediener muss die Geräte in den vorgeschriebenen Intervallen kontrollieren. Die Prüfergebnisse müssen aufgezeichnet werden.

Das Gerät wurde so konstruiert und hergestellt, dass nur eine minimale Wartung nötig ist. Die folgenden Arbeiten sind auszuführen, damit eine korrekte und zuverlässige Funktion des Kompressors gewährleistet ist.



Gefahr – unzulässige Arbeiten!

Reparaturarbeiten außerhalb des Rahmenwerks der normalen Wartung (siehe Kapitel 18.1) dürfen nur von einem qualifizierten Techniker (ein durch den Hersteller autorisiertes Unternehmen) oder vom Kundendienst des Herstellers ausgeführt werden.

Normale Wartungsarbeiten (siehe Kapitel 18.1) dürfen nur durch einen geschulten Bediener ausgeführt werden.

Verwenden Sie nur Ersatzteile, die vom Hersteller genehmigt wurden.



Gefahr von Verletzungen oder Beschädigung der Gerätschaft!

Vor Beginn der Wartung am Kompressor sind folgende Arbeiten auszuführen:

- **Überprüfen Sie, ob es möglich ist, den Kompressor von der Anlage zu trennen, um mögliche Verletzungen der Person zu verhindern, die die Anlage verwendet, bzw. um Sachschäden zu vermeiden.**
- **Schalten Sie den Kompressor aus.**
- **Trennen sie ihn vom Stromnetz (Netzstecker aus der Steckdose ziehen).**
- **Lassen Sie die Druckluft aus dem Druckluftbehälter ab.**



Das Ablassen von Druckluft stellt eine Verletzungsgefahr dar.

Tragen Sie einen Augenschutz, d. h. eine Schutzbrille, wenn Sie Druckluft aus dem Druckluftkreislauf (Luftbehälter) und aus der Trockenkammer ablassen.



Verbrennungsgefahr!

Wenn der Kompressor in Betrieb ist (oder kurze Zeit danach), können bestimmte Bereiche der Druckluftpumpe, des Druckluftsystems des Kompressors, Teile des Trockners und die Anschlussschläuche zwischen dem Kompressor und dem Trockner heiß werden – diese Komponenten nicht berühren!



Der während der Servicearbeiten ausgebaute Erdungsleiter muss nach Beendigung der Arbeiten wieder in seine ursprüngliche Position gebracht werden.

- Für Wartungs- oder Reparaturarbeiten kann der Kompressor aus dem Gehäuse herausgezogen werden (auf Lenkrollen und so weit, wie es das Kabel zwischen Kompressor und Schrank erlaubt (siehe Kapitel 18). Danach können die erforderlichen Wartungs- oder Reparaturarbeiten durchgeführt werden.
- Löst sich das Kabel zwischen Kompressor und Gehäuse (durch Ziehen des Netzsteckers, siehe Kapitel 13.2.), funktioniert der Kompressor nicht mehr. Um den Kompressor wieder in Betrieb zu nehmen, befolgen Sie bitte die Anweisungen aus Kapitel 13.2, 18.10 oder 18.11.

18.1. Wartungsintervalle

Zeitintervall	50 Hz	Einmal täglich	Einmal wöchentlich	Einmal jährlich	Alle 2 Jahre	2.000 Std.	4.000 Std.	6.000 Std.	8.000 Std.	10.000 Std.	12.000 Std.	20.000 Std.	Kap.	Austauschteile-Set	Ausgeföhrt durch
Produktbetrieb überprüfen		x											18.2	-	
Kondensat aus Druckluftbehälter ablassen – bei hoher Luftfeuchtigkeit		x											18.5	-	
Kondensat aus Druckluftbehälter ablassen – bei normaler Feuchtigkeit			x										18.5	-	
Produktfunktion überprüfen			x										9	-	
Auf Undichtigkeiten an den Druckluftanschlüssen überprüfen und Geräteinspektion				x									18.3	-	
Überprüfung der Stromanschlüsse				x									18.4	-	
Überprüfung von Kühler und Lüfter				x									18.9	-	
Sicherheitsventil überprüfen				x									18.6	-	
Austausch des Pumpenansaugfilters und Vorfilters 4VR ^{a)}					x		x		x		x		18.7	025200139-000 025200150-000	

^{a)} Daten werden in Stunden angegeben; falls nicht möglich, werden die Daten in Jahren angegeben.

^{b)} Überprüfen Sie die Funktion des Entlüftungsventils am Trockner nach jeder Störung des Trockners.

^{c)} je nachdem, was zuerst eintritt: 4 Jahre/8.000 Stunden

^{d)} je nachdem, was zuerst eintritt: 8 Jahre / 20000 Stunden

Zeitintervall	50 Hz	Einmal täglich	Einmal wöchentlich	Alle 2 Jahre	2.000 Std.	4.000 Std.	6.000 Std.	8.000 Std.	10.000 Std.	12.000 Std.	16.000 Std.	20.000 Std.	24.000 Std.	Kap.	Austauschteile-Set	Ausgeföhrt durch
Führen Sie eine „Wiederholungsprüfung“ nach EN 62353 aus				x										18	-	
Austausch des Filterelements im Trocknerfilter														18.8	025200305-000	

- a) Daten werden in Stunden angegeben; falls nicht möglich, werden die Daten in Jahren angegeben.
- b) Überprüfen Sie die Funktion des Entlüftungsventils am Trockner nach jeder Störung des Trockners.
- c) je nachdem, was zuerst eintritt: 4 Jahre/8.000 Stunden
- d) je nachdem, was zuerst eintritt: 8 Jahre / 20000 Stunden

18.2. Produktbetrieb überprüfen

- Aggregatzustand prüfen – die Aggregate sollten normal und ohne übermäßige Schwingung oder Geräusentwicklung laufen. Beheben Sie vorliegende Probleme oder kontaktieren Sie einen Servicemitarbeiter, falls ein Fehler erkannt wurde.
- Sichtprüfung des Lüfterbetriebs – die Lüfter müssen anlaufen, wenn ein Aggregat in Betrieb ist. Beheben Sie vorliegende Probleme oder kontaktieren Sie einen Servicemitarbeiter, falls ein Fehler erkannt wurde.
- Stellen Sie sicher, dass das Netzkabel und die angeschlossenen Druckluftschläuche unbeschädigt sind. Ersetzen Sie beschädigte Komponenten oder kontaktieren Sie einen Servicemitarbeiter.
- Überprüfen Sie die Umgebungstemperatur – die Umgebungstemperatur muss unter der Temperaturgrenze (40 °C) liegen. Kühlen Sie den Bereich, wenn die Temperatur zu hoch ist.
- Bei Kompressoren mit Trockner öffnen Sie den Stopfen am Kondensatsammelbehälter und lassen Sie das Kondensat ab.
- Überprüfen Sie die Betriebsbedingung der Ausrüstung (siehe Kapitel 18.4).

18.3. Überprüfen Sie die Druckluftanschlüsse auf Dichtigkeit und überprüfen Sie das Gerät

Dichtigkeitstest

- Überprüfen Sie die Druckluftleitungen des Kompressors während des Betriebs auf Lecks – der Druck wird durch den Kompressor erzeugt.
- Verwenden Sie ein Lecksuchgerät oder Seifenwasser, um alle Verbindungen und Anschlüsse auf Undichtigkeiten zu überprüfen. Verbindungen, an denen Undichtigkeiten festgestellt wurden, sind festzuziehen oder erneut abzudichten.

Überprüfung der Gerätschaft

- Überprüfen Sie den Zustand des Kompressoraggregats auf reibungslosen Betrieb und niedrigen Geräuschpegel.
- Überprüfen der Lüfterfunktion – die Lüfter müssen während der festgelegten Arbeitszyklen des Kompressors laufen.
- Überprüfen Sie die Funktion des Temperaturschalters (B2) – erwärmen Sie den Temperaturschalter auf mehr als 40 °C (z. B. mithilfe einer Heißluftpistole – Achtung, nicht verwenden, wenn sich Kunststoffteilen in der Nähe befinden, diese können sich bei den hohen Temperaturen verformen!). Lüfter E1, E3 – der Kompressor muss unter Voltspannung stehen.
- Überprüfen Sie den Filterzustand – die Filter müssen unbeschädigt und ausreichend sauber sein.
- Überprüfen Sie den Zustand der Pumpe selbst und achten Sie darauf, dass weder Verschmutzungen noch Spiel im Kurbelwellengehäuse vorhanden sind.
- Ersetzen Sie bei Ausfällen alle defekten Teile.
- Defekte Teile sind nach Bedarf auszutauschen.
- Überprüfen Sie die Betriebsbedingung der Ausrüstung (siehe Kapitel 18.4).

18.4. Überprüfung der Stromanschlüsse



Stromschlaggefahr!

Untersuchen Sie die Stromanschlüsse des Produkts bei gezogenem Netzstecker.

- Überprüfen Sie die mechanische Funktion des Netzschalters.
- Überprüfen Sie das Netzkabel und die Stromleiter auf Unversehrtheit.
- Überprüfen Sie, ob die Kabel an den Anschlusskasten angeschlossen sind (Sichtprüfung).
- Überprüfen Sie alle Schraubverbindungen der grün-gelben PE-Erdungsleiter.

18.5. Kondensatablauf

Kompressoren

Es wird empfohlen, das Kondensat aus dem Druckbehälter während des normalen Betriebs abzulassen. Schalten Sie den Kompressor am Stromnetz aus. Senken Sie den Luftdruck im Gerät auf max. 1 bar, indem Sie Luft über das angeschlossene Gerät ablassen. Schließen Sie den Schlauch aus dem Basispaket am Ablassventil an. Stellen Sie den Behälter unter den Schlauch und lassen Sie das Kondensat durch Öffnen des Ablassventils (1) aus dem Behälter ab.

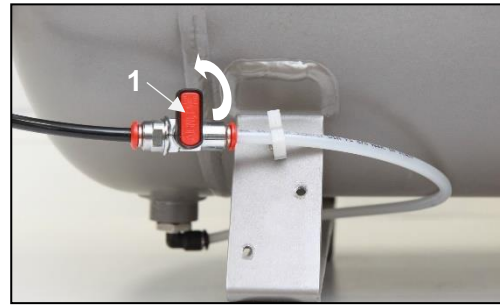


Abb. 15: Kondensatablauf



Öffnen Sie das Ablassventil vorsichtig und langsam. Wird das Ablassventil zu weit geöffnet, ist ein sehr lauter Ton zu hören und das angesammelte Kondensat wird unkontrolliert ausgestoßen.



Ein nasser Boden aufgrund eines Überlaufs des Behälters stellt eine Rutschgefahr dar.

Kompressoren ohne Trockner können mit einem automatischen Kondensatableiter ausgestattet sein, damit das Kondensat ohne manuelle Eingriffe abfließen kann.

Kompressoren mit Lufttrockner

Das Kondensat aus Kompressoren mit Lufttrocknern wird automatisch in eine Kondensatauffangbehälter abgelassen.



Abb. 16: Überprüfen des Kondensatauffangbehälters



Überwachen Sie den Füllstand im Behälter mithilfe der 1-L- oder 2-L-Markierungen (je nach Fassungsvermögen des Behälters) und entleeren Sie den Behälter mindestens einmal täglich. Der Behälter kann überlaufen, wenn das Kondensat nicht zum festgelegten Intervall entleert wird.



Folgende Schritte sind vor den nachfolgenden Überprüfungen erforderlich:

- Für Kompressoren mit Gehäuse: Lösen Sie die Türverriegelung und öffnen Sie die Gehäusetür.

18.6. Sicherheitsventil überprüfen

- Drehen Sie die Schraube (2) am Sicherheitsventil (1) mehrere Umdrehungen nach links, bis das Sicherheitsventil Luft ablässt.
- Das Sicherheitsventil einige Sekunden ausblasen lassen.
- Drehen Sie die Schraube (2) bis zum Anschlag nach rechts. Das Ventil muss jetzt geschlossen sein.



Abb. 17: Sicherheitsventil überprüfen



Eine Beschädigung des Sicherheitsventils kann zu einem gefährlichen Druckanstieg führen.

Verwenden Sie das Sicherheitsventil niemals, um Druckluft aus dem Drucklufttank abzulassen. Dies könnte das Sicherheitsventil beschädigen. Das Ventil ist durch den Hersteller auf den maximal zulässigen Druck voreingestellt.

Niemals das Sicherheitsventil justieren!



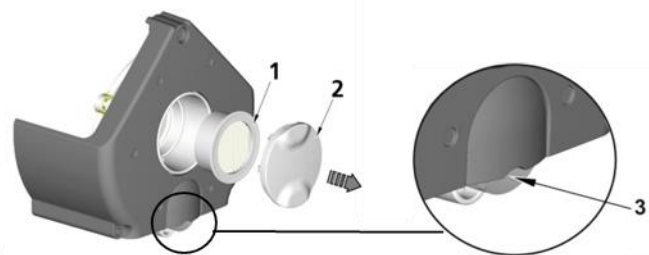
Das Ablassen von Druckluft stellt eine Verletzungsgefahr dar.

Tragen Sie bei der Untersuchung von Sicherheitsventilen eine Schutzbrille.

18.7. Austausch des Ansaugfilters

Austausch des Ansaugfilters:

- Ziehen Sie den Gummistopfen mit der Hand heraus (2).
- Entfernen Sie den verschmutzten Einlassfilter (1).
- Setzen Sie einen neuen Filter ein und setzen Sie den Gummistopfen wieder ein.



Austausch des Vorfilters:

- Ziehen Sie den Vorfilter mit der Hand heraus (3).
- Ersetzen Sie den Filter und setzen Sie den neuen Filter ein.

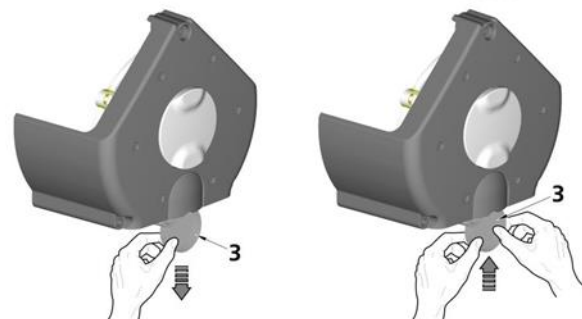


Abb. 18: Austausch des Ansaugfilters

18.8. Austausch des Filterelements

- Entfernen Sie den Schlauch (1) von der Schnellkupplung.

- Verwenden Sie einen Schraubenschlüssel (2), um den Filterbehälter (3) zu lösen und entfernen Sie diesen.
- Ziehen Sie das Filterelement (3) zum Entfernen nach unten.
- Setzen Sie ein neues Filterelement ein.
- Bringen Sie den Filterbehälter wieder an.
- Ziehen Sie den Filterbehälter vorsichtig mit dem Schraubenschlüssel fest.
- Schließen Sie den Schlauch erneut an die Schnellkupplung an.



Abb. 19: Austausch des Filterelements

18.9. Untersuchung des Kühlers und des Lüfters

Die Geräteteile, insbesondere der Kompressorlüfter, der Kühlerlüfter und der Kühler, müssen sauber gehalten werden, um eine effiziente Trocknerleistung zu gewährleisten. Entfernen Sie Staub von der Oberfläche der Kühlrippen und Kühler und verwenden Sie hierzu einen Staubsauger oder Druckluft.

18.10. Vorgehensweise beim Anschließen eines vom Schaltschrank getrennten Kompressors



Vor jeder Wartungs- oder Reparaturarbeit ist der Kompressor auszuschalten und durch Ziehen des Netzsteckers vom Stromnetz zu trennen.

Es ist notwendig, dass bei einem Kompressor (ohne Gehäuse) der Jumper immer an die Klemmleiste montiert wird, damit der ordnungsgemäße Betrieb gewährleistet ist. Dies ersetzt dann den Schalter am Gehäuse. (Abb. 20 Pos. C,D, Abb. 21 Pos. D)



Befindet sich kein Jumper auf der Klemmleiste des Kompressors (vom Schaltschrank getrennt), funktioniert der Kompressor nicht!

Löst sich das Kabel zwischen Kompressor und Gehäuse (durch Ziehen des Netzsteckers) und wird der Kompressor aus dem Gehäuse entfernt, funktioniert der Kompressor nicht mehr. () Aus diesem Grund muss zunächst eine Verbindung zur Klemmleiste mit einem Jumper hergestellt werden (dies ersetzt die Funktion des Trennschalters). (Abb. 20 Pos. A,B, Abb. 21 Pos. A)

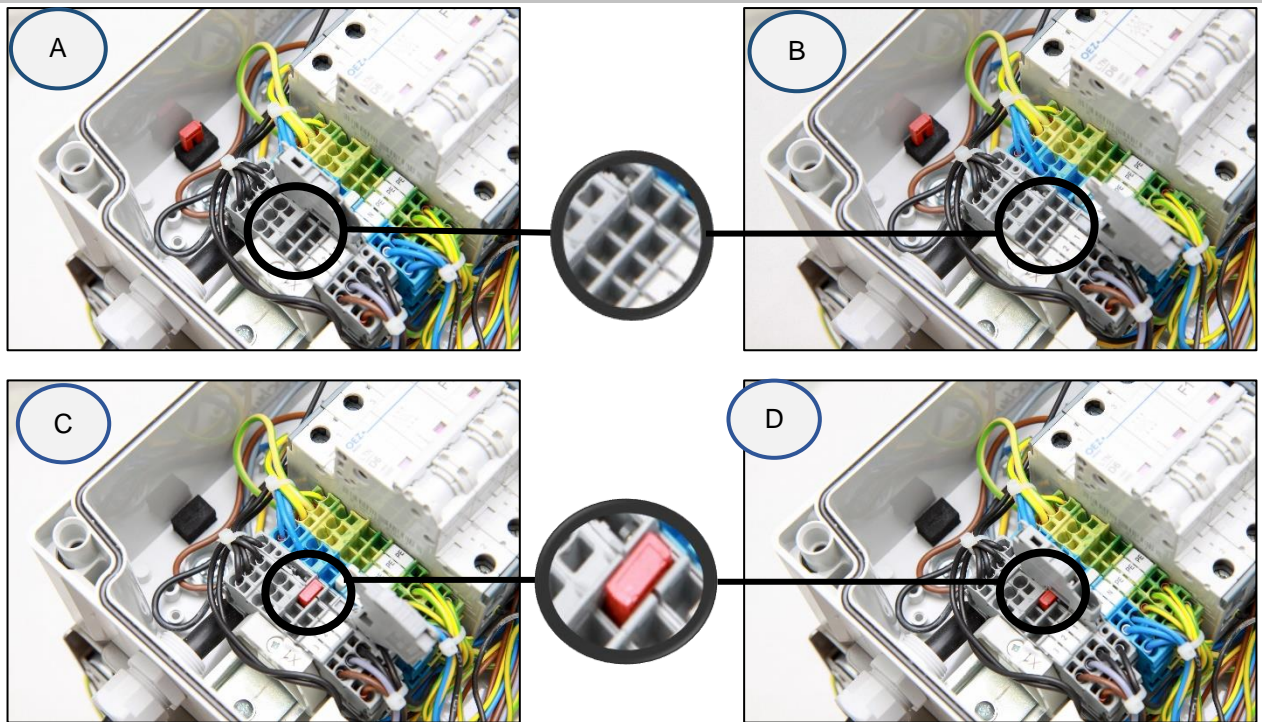
PROZESS:

Jumper-Installation (A-B-C-D-Prozess)

- Trennen Sie das Gerät vom Stromnetz, indem Sie den Stecker aus der Steckdose ziehen.
- Entfernen Sie die Abdeckung von der Schalttafel (des Kompressors).
- Der Jumper befindet sich nicht auf der Klemmleiste – A
- Heben Sie die Sicherungsabdeckung an – B

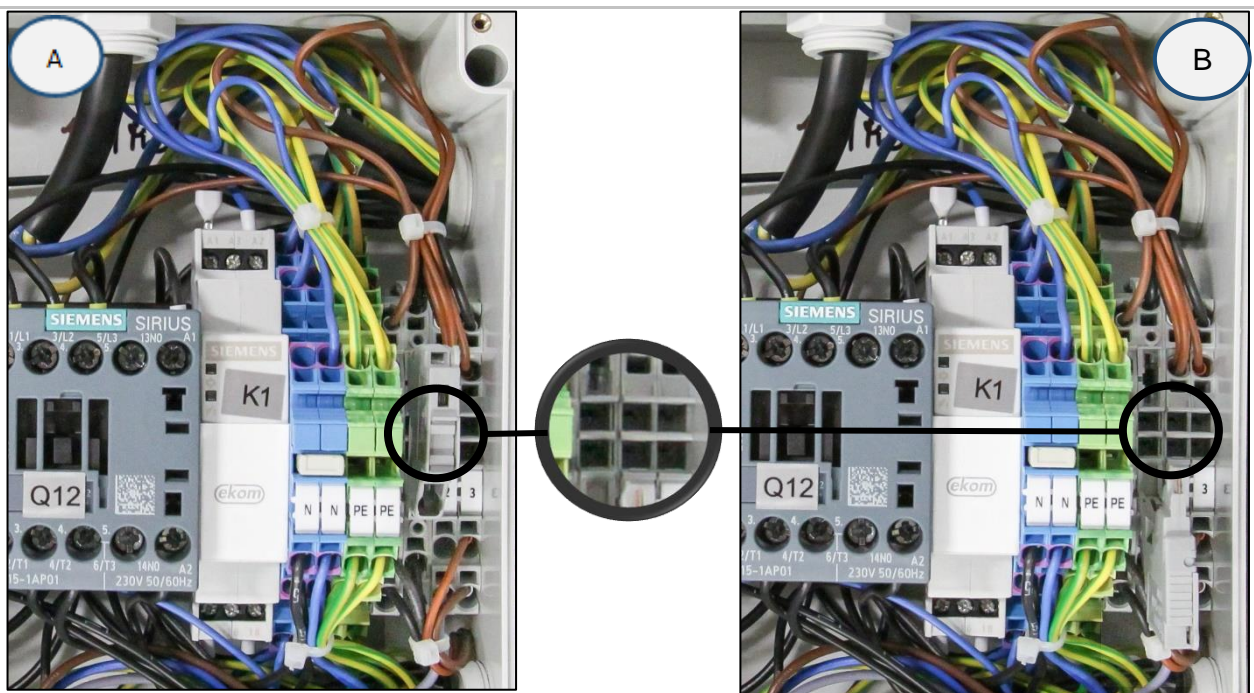
- Setzen Sie den Jumper in die Klemmleiste ein – C
- Schließen Sie die Sicherungsabdeckung – D
- Bringen Sie die Abdeckung der Schalttafel wieder an.
- Schließen Sie das Gerät an das Stromnetz an.
- Aktivieren Sie den Kompressor, indem Sie den Schalter auf dem Druckschalter einschalten.

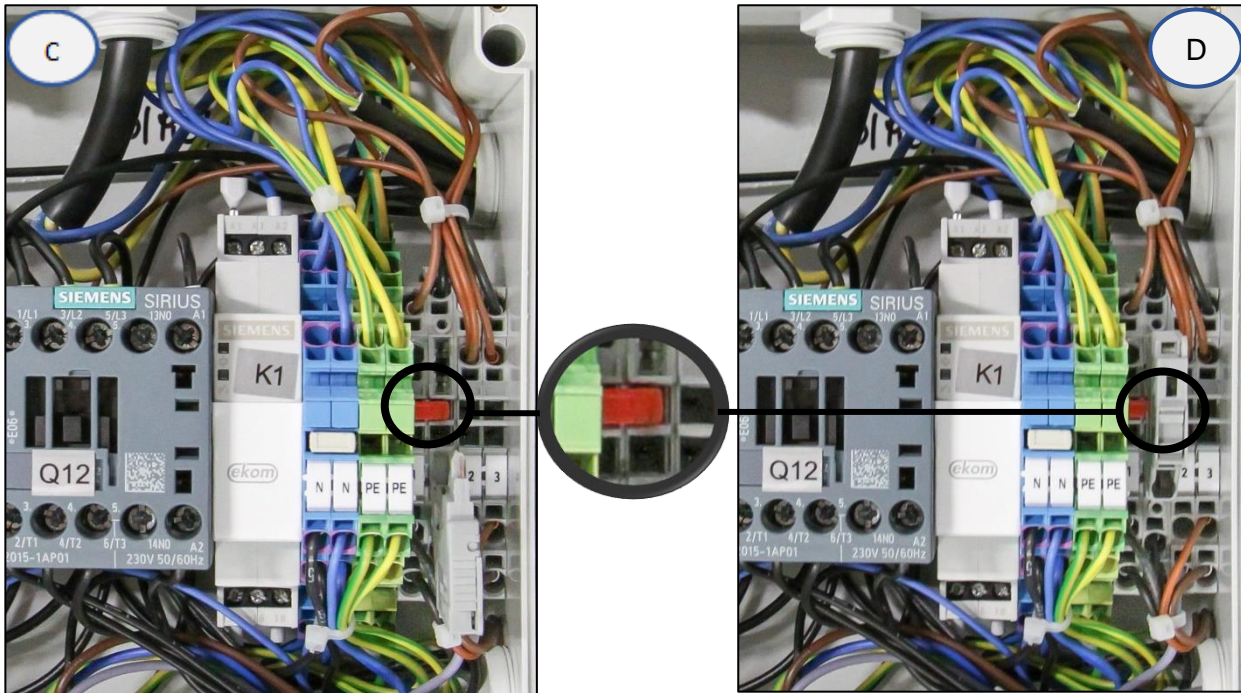
Abb. 20: DK50 4VR/50



400V

Abb. 21: DK50 2x4VR/110





400V

18.11. Vorgehensweise beim Anschließen eines Kompressors an einen neuen Schaltschrank



Vor jeder Wartungs- oder Reparaturarbeit ist der Kompressor auszuschalten und durch Ziehen des Netzsteckers vom Stromnetz zu trennen.

Es ist notwendig, dass bei einem Kompressor (mit Gehäuse) der Jumper nicht an die Klemmleiste montiert wird, damit der ordnungsgemäße Betrieb gewährleistet ist. Der Schalter am Gehäuse dient dem Ein- und Ausschalten des gesamten Geräts (einschließlich des Kompressors). (Abb. 20 Pos. A,B, Abb. 21 Pos. A)



Wenn ein Jumper mit der Klemmleiste des Gehäuses verbunden ist, funktioniert der Schalter am Kompressorgehäuse nicht.

Wenn ein neuer Schaltschrank an einen Kompressor angeschlossen werden soll, der zuvor separat gearbeitet hat (Kompressor ohne Gehäuse), muss die Verbindung auf der Klemmleiste unterbrochen werden; mehr zur konkreten Vorgehensweise erfahren Sie weiter unten. (Abb. 20, Abb. 21) (Siehe auch Kapitel 13.1 und 13.2)

PROZESS:

Entfernen des Jumpers (D-C-B-A-Prozess)

- Trennen Sie das Gerät vom Stromnetz, indem Sie den Stecker aus der Steckdose ziehen.
- Entfernen Sie die Abdeckung von der Schalttafel (des Kompressors).
- Der Jumper befindet sich auf der Klemmleiste – D
- Heben Sie die Sicherungsabdeckung an – C
- Entfernen Sie den Jumper von der Klemmleiste – B
- Schließen Sie die Sicherungsabdeckung – A

- Bringen Sie die Abdeckung der Schalttafel wieder an.
- Setzen Sie den Kompressor in die Gehäuse ein.
- Verbinden Sie den Schaltschrank mit dem Kompressor, indem Sie den Stecker des Netzkabels in die Steckdose stecken. (Abb. 13)
- Schließen Sie das Gerät an das Stromnetz an.
- Aktivieren Sie den Kompressor, indem Sie den Schalter auf dem Druckschalter und den Schalter (4) am Gehäuse einschalten (Abb. 14).

Kompressor mit Gehäuse – Beim Betrieb in einem Schaltschrank **darf keinerlei** elektrischer Anschluss vorhanden sein. (Abb. 20 Pos. A,B, Abb. 21 Pos. A)

Hinweis: **Bei Verwendung eines Kompressors ohne Gehäuse oder beim Ausführen von Wartungsarbeiten müssen Jumper, die nicht an der Klemmleiste installiert sind, an einem gesonderten Ort neben der Schalttafel aufbewahrt werden.**

18.12. Reinigung und Desinfektion der Außenflächen des Produkts

Reinigen und desinfizieren Sie die Außenflächen mit neutralen Reinigungsmitteln.



Die Verwendung von aggressiven Reinigungs- und Desinfektionsmitteln mit Alkohol und Chlor kann zu einer Beschädigung und Verfärbung der Oberflächen führen.

19. LANGFRISTIGE AUßERBETRIEBNAHME

Wird der Kompressor längere Zeit nicht genutzt, ist es empfehlenswert, das Kondensat aus dem Druckluftbehälter abzulassen und den Kompressor dann für 10 Minuten mit geöffnetem Kondensatablassventil laufen zu lassen. Schalten Sie den Kompressor anschließend durch Betätigung des Schalters (2) auf dem Druckschalter (1) (Abb. 14) aus, schließen Sie das Ablassventil und trennen Sie das Gerät vom Stromnetz.

20. ENTSORGUNG DES GERÄTS

- Trennen Sie das Gerät von der Stromversorgung.
- Lassen Sie durch Öffnen des Ablassventils Druckluft aus dem Druckbehälter ab.
- Entsorgen Sie das Gerät gemäß den geltenden Vorschriften.
- Beauftragen Sie ein Fachunternehmen mit der Abfalltrennung und -entsorgung.
- Verschlissene Bauteile haben keine negativen Auswirkungen auf die Umwelt.

FEHLERBEHEBUNG**Stromschlaggefahr!**

Bevor Sie Arbeiten an dem Gerät vornehmen, trennen Sie es zunächst von der Stromversorgung (Netzstecker ziehen).



Das Arbeiten mit Druckkomponenten unter Druck stellt eine Verletzungsquelle dar.

Bevor Sie Arbeiten an dem Gerät vornehmen, lassen Sie den Druck aus dem Druckluftbehälter und dem Druckluftsystem vollständig ab.



Die Fehlerbehebung darf nur von einem qualifizierten Servicemitarbeiter durchgeführt werden.



Eine Beschädigung des Sicherheitsventils kann zu einem gefährlichen Druckanstieg führen.

Niemals das Sicherheitsventil justieren!

Störung	Mögliche Ursache	Lösung
Kompressor schaltet sich nicht ein	Netzspannung fehlt	Spannungskontrolle an der Steckdose
		Kontrolle der Sicherung – fehlerhafte Sicherung wechseln
		Gelöste klemmen festziehen
		Kontrolle des elektrischen Kabels - fehlerhaftes Kabel ersetzen
	Unterbrechung der Motor Wicklung, Wärmeschutz beschädigt	Motor wechseln bzw. Neu wickeln
	Fehlerhafter Kondensator	Kondensator wechseln
Der Gehäuseschalter schaltet den Kompressor nicht aus	Festgefressener Kolben oder anderes rotationsteil beschädigt	Beschädigte teile wechseln
	Der Druckschalter schaltet nicht	Funktion des Druckschalters kontrollieren
Kompressor schaltet häufig ein	Im Schaltschrank befindet sich ein Kompressor, der zuvor separat gearbeitet hat (auf der Klemmleiste des Kompressors befindet sich ein Jumper).	Entfernen Sie den Jumper von der Klemmleiste, siehe Kap. 18.11
	Luftaustritt im Pneumatiksystem	Pneumatiksystem überprüfen – lose Verbindungen festziehen
	Undichtetes Rückschlagventil	Rückschlagventil reinigen, Dichtungen austauschen, Rückschlagventil austauschen
Kompressor Laufzeit verlängert sich	Hohe Mengen kondensierter Flüssigkeit im Druckluftbehälter	Kondensierte Flüssigkeit ablassen
	Luftaustritt im Pneumatiksystem	Pneumatiksystem überprüfen – lose Verbindungen festziehen
	Abgenutzte Kolbenringe	Kolbenringe wechseln

	Verunreinigter eingangs- und vor Filter	Verunreinigte Filter durch neue Filter ersetzen
	Fehlfunktion des elektrisch gesteuerten Ventils	Ventil reparieren oder wechseln
Kompressor ist laut (klopfen, Metallgeräusche)	Beschädigtes Lager des Kolbens, der Kurbelstange, oder des Motors	Beschädigte Feder ersetzen
	Das lockere (geborstene) dämpf Element (Feder)	Die beschädigte Feder auswechseln
Trockner trocknet nicht (Kondenswasser in der Luft) *	Kühlerlüfter funktioniert nicht	Lüfter austauschen Stromquelle kontrollieren
	Beschädigter Trockner	Den Trockner austauschen
	Nicht funktionierender automatischer Kondensatablauf	Reinigen/Austauschen

)*Innenflächen des Luftbehälters gründlich reinigen und die kondensierte Flüssigkeit nach einer Trocknerstörung komplett entfernen



Überprüfen Sie den Feuchtigkeitsgehalt in der Luft, die aus den Luftbehälter strömt (siehe Kapitel „Technische Daten“), um Schäden an den nachfolgend installierten Geräten zu verhindern.

21. REPARATURDIENST

Reparaturen während der Garantielaufzeit und danach sind vom Hersteller, seinem autorisierten Vertreter oder von durch den Lieferanten zugelassenen Servicemitarbeitern durchzuführen.

Achtung!

Der Hersteller behält sich das Recht auf Änderungen der Gerätschaft ohne Vorankündigung vor. Änderungen beeinträchtigen nicht die Funktionen des Geräts.

TABLES DES MATIÈRES

INFORMATIONS IMPORTANTES	113
1. CONFORMITE AUX EXIGENCES DES DIRECTIVES DE L'UNION EUROPEENNE ..	113
2. UTILISATION PRÉVUE.....	113
3. CONTRE-INDICATIONS ET EFFETS SECONDAIRES	113
4. SYMBOLES	113
5. AVERTISSEMENTS.....	114
6. CONDITIONS D'ENTREPOSAGE ET DE TRANSPORT	116
DESCRIPTION DU PRODUIT	117
7. VARIANTES.....	117
8. ACCESSOIRES	118
9. FONCTION DU PRODUIT.....	119
DONNÉES TECHNIQUES	125
INSTALLATION	132
10. CONDITIONS D'INSTALLATION	132
11. ENSEMBLE COMPRESSEUR	132
12. RACCORDS PNEUMATIQUES.....	137
13. RACCORDEMENT ELECTRIQUE	139
14. MISE EN SERVICE	140
15. SCHÉMAS PNEUMATIQUES ET ÉLECTRIQUES.....	141
FONCTIONNEMENT.....	151
16. ALLUMAGE DU COMPRESSEUR	152
17. ARRÊT DU COMPRESSEUR	152
MAINTENANCE DE L'APPAREIL	153
18. MAINTENANCE DE L'APPAREIL	153
19. ARRÊT PROLONGÉ	162
20. MISE AU REBUT DE L'APPAREIL.....	162
DÉPANNAGE	163
21. SERVICE DE REPARATION.....	164
ANNEXE	381
22. REGISTRE D'INSTALLATION	383

INFORMATIONS IMPORTANTES**1. CONFORMITE AUX EXIGENCES DES DIRECTIVES DE L'UNION EUROPEENNE**

Ce produit satisfait aux exigences du Règlement (UE) relatif aux dispositifs médicaux (MDR 2017/745). Par ailleurs, il est sécurisé pour l'utilisation prévue, sous réserve du respect des consignes de sécurité.

2. UTILISATION PRÉVUE

Le compresseur est utilisé comme source d'air comprimé, propre et exempt d'huile pour alimenter des dispositifs médicaux actifs, où les paramètres et les propriétés de l'air comprimé conviennent à l'application spécifique.



L'air comprimé fourni par le compresseur ne peut être utilisé avec les appareils artificiels de ventilation pulmonaire sans filtration supplémentaire.

Toute utilisation non préconisée du produit est considérée comme une utilisation inappropriée. Le fabricant n'est pas responsable des dommages ou blessures résultant d'une utilisation inappropriée.

3. CONTRE-INDICATIONS ET EFFETS SECONDAIRES

Il n'existe aucune contre-indication, ni aucun effet secondaire répertorié.

4. SYMBOLES

Les symboles et marques suivants sont utilisés dans le manuel d'utilisation, sur l'appareil et son emballage :



Avertissement général



Avertissement - risque d'électrocution



Avertissement - le compresseur est commandé automatiquement



Avertissement - surface chaude



Mise en garde générale



Lisez les instructions d'utilisation



Reportez-vous au manuel d'instructions





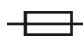

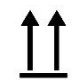





Marquage CE



Dispositif médical



Numéro de série

	Protection de la mise à la terre
	Borne de connexion de mise à la terre
	Fusible
	Étiquette relative à la manipulation sur l'emballage – fragile
	Étiquette relative à la manipulation sur l'emballage – placer ce côté vers le haut
	Étiquette relative à la manipulation sur l'emballage – maintenir au sec
	Étiquette relative à la manipulation sur l'emballage – limites de température
	Étiquette relative à la manipulation sur l'emballage – empilage limité
	Étiquette de l'emballage – matériau recyclable
	Fabricant

5. AVERTISSEMENTS

Le produit est conçu et fabriqué de sorte à ne présenter aucun danger pour l'utilisateur et son environnement lorsqu'il est utilisé de la façon prescrite. Gardez les avertissements suivants à l'esprit.

5.1. Avertissements généraux

LISEZ ATTENTIVEMENT LE MANUEL D'UTILISATION AVANT D'UTILISER L'APPAREIL ET CONSERVEZ-LE POUR RÉFÉRENCE ULTÉRIEURE !

- Le manuel de l'utilisateur permet l'installation, l'utilisation et la maintenance appropriées du produit. L'utilisation stricte de ce manuel vous fournira les informations nécessaires pour une utilisation correcte du produit aux fins prévues.
- Conservez l'emballage d'origine pour le retour éventuel du produit. Seul l'emballage d'origine garantit la protection adéquate de l'appareil pendant le transport. S'il est nécessaire de retourner le produit au cours de la période de garantie, le fabricant n'est nullement responsable des dommages consécutifs à l'utilisation d'un emballage inapproprié.
- La présente garantie ne couvre pas les dommages dus à l'emploi d'accessoires autres que ceux indiqués ou recommandés par le fabricant.
- Le fabricant garantit uniquement la sécurité, la fiabilité et le fonctionnement du produit, sous réserve que :
 - les installations, les nouveaux réglages, les modifications, les développements et les réparations soient confiés au fabricant ou à un organisme agréé par le fabricant ;
 - le produit soit utilisé conformément au manuel de l'utilisateur.

- Le présent manuel de l'utilisateur présente, au moment de son impression, la configuration du produit, ainsi que sa conformité avec les normes techniques et de sécurité applicables. Le fabricant se réserve tous les droits sur la protection de sa configuration, des méthodes d'installation et des dénominations utilisées.
- La traduction du présent manuel de l'utilisateur est effectuée en conformité avec les meilleures connaissances disponibles. La version slovaque fait foi en cas d'incertitudes.
- Le présent manuel d'utilisateur tient lieu de notice originale. Sa traduction est effectuée en conformité avec les meilleures connaissances disponibles.

5.2. Avertissements généraux de sécurité

Le fabricant a conçu et fabriqué le produit de sorte à minimiser tous les risques lorsqu'il est utilisé correctement et aux fins envisagées. Le fabricant considère qu'il relève de sa responsabilité de décrire les mesures générales de sécurité suivantes.

- L'utilisation du produit doit respecter toutes les lois et réglementations locales en vigueur. L'opérateur et l'utilisateur sont tenus de respecter tous les règlements pertinents dans l'intérêt de l'exécution sûre de leurs travaux.
- Seule l'utilisation des pièces d'origine peut garantir la sécurité du personnel utilisateur et le fonctionnement sans faille du produit lui-même. Seuls les accessoires et pièces mentionnés dans la documentation technique ou explicitement agréés par le fabricant doivent être utilisés.
- L'opérateur doit s'assurer que l'appareil fonctionne de façon correcte et sûre avant chaque utilisation.
- L'utilisateur doit parfaitement comprendre le fonctionnement de l'appareil.
- Évitez d'utiliser le produit dans des environnements présentant un risque élevé d'explosion.
- L'utilisateur doit informer immédiatement le fournisseur de tout problème en lien direct avec l'utilisation de l'appareil.
- Tout incident grave survenu en relation avec l'appareil doit être signalé au fabricant et aux autorités compétentes de l'état membre dans lequel l'utilisateur et / ou le patient réside.

5.3. Avertissements de sécurité concernant la protection face au courant électrique

- L'appareil doit être uniquement branché à une prise correctement installée et mise à la terre.
- Avant de brancher le produit, assurez-vous que la tension et la fréquence indiquées sur le produit sont identiques aux valeurs du réseau électrique.
- Avant de mettre l'appareil en marche, vérifiez la présence d'éventuels dommages sur les conduites pneumatiques raccordées et sur les câbles électriques. Remplacez immédiatement les conduites pneumatiques et les câbles électriques endommagés.
- Débranchez immédiatement le produit du secteur (retirez le cordon d'alimentation de la prise) en cas de situations dangereuses ou de dysfonctionnement technique.
- Pendant les réparations et l'entretien, assurez-vous que :
 - la fiche principale n'est plus raccordée à la prise d'alimentation ;
 - la pression est purgée dans le réservoir d'air et les conduits
- Le produit doit uniquement être installé par un technicien qualifié.

6. CONDITIONS D'ENTREPOSAGE ET DE TRANSPORT

Le compresseur est expédié par le fabricant dans un emballage de transport. Cela permet de protéger le produit durant le transport.



Risque d'endommagement des composants pneumatiques.

Le compresseur ne doit être transporté que lorsque tout l'air qu'il contient a été évacué. Avant de déplacer ou de transporter le compresseur, relâchez toute la pression d'air du réservoir et des tuyaux de pression, des chambres de séchage et évacuez le condensat du réservoir et du séparateur de condensat sur le sécheur.



Conservez l'emballage d'origine de l'usine au cas où l'appareil devrait être retourné. Utilisez l'emballage d'origine de l'usine pendant le transport, car il garantit une protection optimale du produit. . S'il est nécessaire de retourner le produit au cours de la période de garantie, le fabricant n'est nullement responsable des dommages consécutifs à l'utilisation d'un emballage inapproprié.



Le compresseur est expédié en position verticale et doit être sécurisé à l'aide de sangles de transport.



Protégez le compresseur des environnements humides et sales, ainsi que des températures extrêmes pendant le transport et le stockage. Ne le conservez pas à proximité de substances chimiques volatiles.



Dans le cas contraire, veuillez éliminer les matériaux d'emballage d'origine en respectant les règles en vigueur en matière d'environnement. Le carton de l'emballage peut être recyclé avec les produits à base de papier.



Il est interdit de stocker ou d'expédier l'équipement dans des conditions autres que celles spécifiées ci-dessous.

6.1. Conditions ambiantes

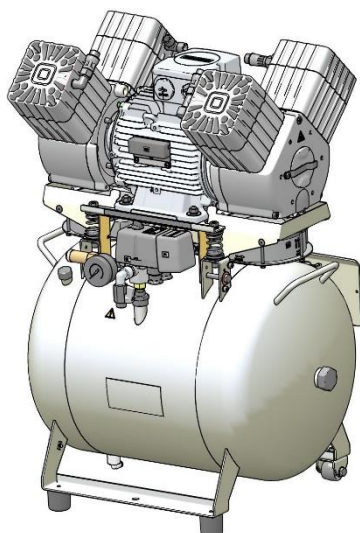
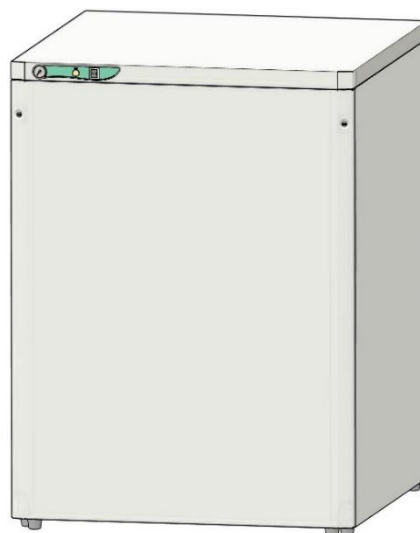
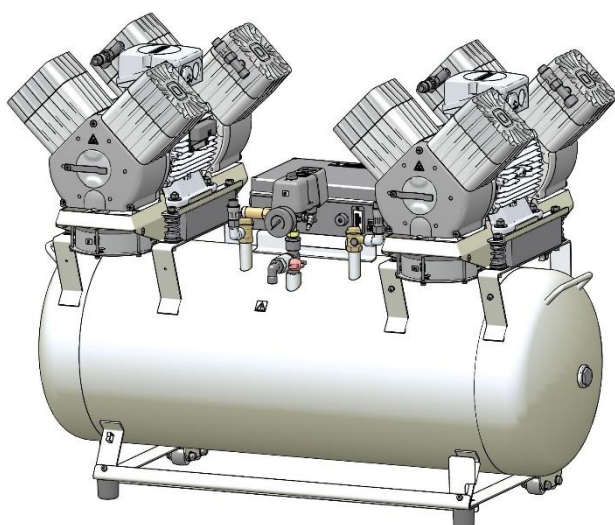
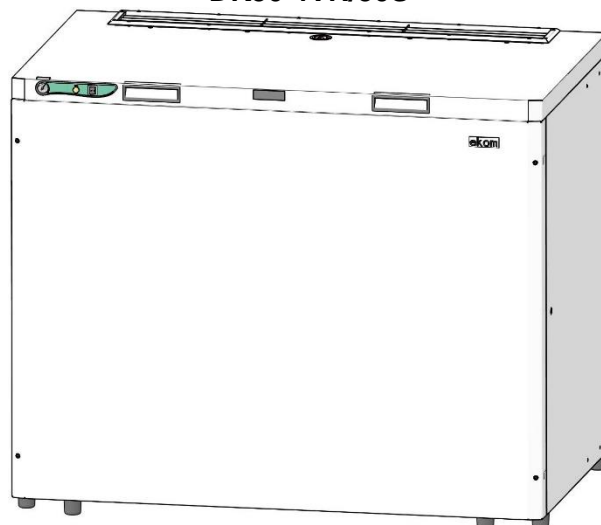
Les produits ne peuvent être stockés et transportés que dans des véhicules exempts de toute trace de substances chimiques volatiles dans les conditions climatiques suivantes :

Température	-25 °C à +55 °C, 24 h jusqu'à +70 °C
Humidité relative	90 % max. (sans condensation)

DESCRIPTION DU PRODUIT**7. VARIANTES**

Le compresseur est fabriqué en fonction de son utilisation prévue dans les variantes suivantes :

DK50 4VR/50	Compresseur pour une installation sur des sites où l'utilisation n'est pas susceptible de perturber l'environnement.
DK50 4VR/50/M	Compresseur avec dessiccateur d'air à membrane
DK50 4VR/50S	Compresseur fermé avec amortissement efficace de bruit
DK50 4VR/50S/M	Compresseur avec sécheur à membrane dans une armoire
Armoire S50R	sert à réduire le niveau sonore produit par le compresseur
DK50 2x4VR/110	Compresseur pour une installation sur des sites où l'utilisation n'est pas susceptible de perturber l'environnement.
DK50 2x4VR/110/M	Compresseur avec dessiccateur d'air à membrane
DK50 2x4VR/110S	Compresseur fermé avec amortissement efficace de bruit
DK50 2x4VR/110S/M	Compresseur avec sécheur à membrane dans une armoire
Armoire S110R	sert à réduire le niveau sonore produit par le compresseur

**DK50 4VR/50****S50R**
DK50 4VR/50S**DK50 2x4VR/110****S110R**
DK50 2x4VR/110S

8. ACCESSOIRES

Les accessoires qui ne sont pas inclus dans la commande standard doivent être commandés séparément.

Purge automatique de condensat

La purge automatique des condensats (AOK) purge automatiquement les condensats du réservoir d'air du compresseur selon un intervalle de temps prédéfini. La purge de condensat (AOK) est un accessoire indiqué pour les modèles de compresseurs sans sécheurs.

Modèle	Utilisation	Numéro d'article
AOK 18	DK50 4VR/50	604014082-000
AOK 19	DK50 2x4VR/110	604014083-000

Ensemble de filtres de sortie d'air comprimé

Le compresseur peut être équipé d'un ensemble de filtres, si spécifié. L'ensemble de filtre peut être équipé d'un régulateur de pression de l'air.



Si un autre niveau de filtration d'air est nécessaire, cette demande doit être convenue avec le fournisseur et clairement mentionnée lors de la commande.

Modèle	Utilisation	Niveau de filtration (en µm)	Numéro d'article
FS 30F		1	604014119-014
FS 30M	DK50 4VR/50	1+0,1	604014119-015
FS 30S	DK50 4VR/50/M	1+0,01	604014119-017
FS 30A		1+0,01+A**	604014119-018
FS 40F		1	604014119-000
FS 40M	DK50 2x4VR/110	1+0,1	604014119-004
FS 40S	DK50 2x4VR/110/M	1+0,01	604014119-024
FS 40AH		1+AC+HC (0,01)	604014119-005

**) A – Sous-microfiltre avec charbon actif

Ensemble régulateur de l'ensemble de filtre

Les compresseurs peuvent être équipés d'un régulateur de pression sur la sortie d'air comprimé, si spécifié. Le régulateur doit être choisi en fonction de l'ensemble de filtres ou bien séparément. Il doit assurer une pression constante au niveau de la sortie.

Modèle	Utilisation	Numéro d'article
Régulateur, complet (vers l'ensemble du filtre)	DK50 4VR/50 DK50 4VR/50/M	604014130-000
REG12 (séparé)		447000001-088
Régulateur, complet	DK50 2x4VR/110	604014125-000
REG15	DK50 2x4VR/110/M	447000001-115

Supports d'ensemble de filtre



Un support adapté doit être commandé pour chaque ensemble de filtre.

Modèle	Utilisation	Numéro d'article
Support de montage sur compresseur	DK50 4VR/50 DK50 4VR/50/M	603014177-000
Support de montage sur compresseur	DK50 2x4VR/110 DK50 2x4VR/110/M	604014131-000
Support de montage mural		603014120-000

Prise de liaison équipotentielle

La prise permet une liaison équipotentielle.

Modèle	Utilisation	Nom	Numéro d'article
POAG-KBT6-EC	DK50 4VR/50 DK50 4VR/50/M	Connecteur de prise secteur	033400075-000
FLEXI-S/POAG-HK6	DK50 2x4VR/110 DK50 2x4VR/110/M	Conducteur (1 m)	034110083-000

9. FONCTION DU PRODUIT

9.1. Compresseur

L'agrégat du compresseur (1) aspire l'air atmosphérique à travers le filtre d'entrée (8) et le comprime via le clapet anti-retour (3) vers un réservoir d'air (2) à partir duquel l'appareil aspire l'air comprimé. Si la pression dans le réservoir d'air baisse à la pression de commutation, le pressostat (4) allume le compresseur et le compresseur fournit de l'air comprimé au réservoir d'air jusqu'à ce qu'il atteigne la pression de coupure, lorsque le compresseur s'éteint. La soupape de sûreté (5) empêche la montée de la pression à l'intérieur du réservoir d'air au-delà de la valeur maximale permise. La soupape de vidange (7) évacue le condensat du réservoir d'air. L'air comprimé, filtré, propre et exempt d'huile est stocké dans le réservoir d'air et prêt à l'emploi.

Le condensat doit être évacué du réservoir d'air à intervalles réguliers (voir chapitre 18.1).

9.2. Compresseur avec sécheur à membrane

L'agrégat du compresseur (1) aspire l'air à travers un filtre d'entrée (8), le comprime et l'envoie au refroidisseur (10) à travers le filtre (18) et le clapet antiretour (3) dans le sécheur (9), puis envoie l'air propre et sec dans le réservoir d'air (2). Une partie de l'air est libérée du sécheur avec l'humidité saisie, ce qui se manifeste comme un courant d'air doux le long du corps du sécheur (9). Le condensat du filtre est automatiquement évacué à intervalles réguliers dans le collecteur (12) via l'électrovanne de décharge de condensat (17). Le sécheur assure le séchage continu de l'air comprimé. La soupape de vidange (7) évacue le condensat du réservoir d'air lors du contrôle de la performance de séchage. L'air comprimé, filtré, propre et exempt d'huile est stocké dans le réservoir d'air et prêt à l'emploi.

Pour assurer un fonctionnement normal du sécheur à membrane, le sécheur est raccordé directement au réservoir d'air sans l'utilisation d'un clapet anti-retour. Une petite quantité d'air (environ 0,5 bar/30 min) s'échappe à travers les fibres de membrane sélectives présentes dans le sécheur à membrane.

C'est pourquoi la pression diminue progressivement et lentement, même en l'absence de demande d'air comprimé (du réservoir d'air) ; cependant, il ne s'agit pas d'un dysfonctionnement.

Les récipients sous pression ne nécessitent pas de vidange.

9.3. Armoire du compresseur

L'armoire sert d'enceinte compacte et insonorisée pour le compresseur et assure un échange suffisant de l'air de refroidissement. Le ventilateur sous la pompe à air (11) et les ventilateurs de l'armoire (21) refroidissent le compresseur. Les ventilateurs fonctionnent en même temps que le

moteur du compresseur ou lorsque le commutateur de température est activé à une température supérieure à 40 °C. Lorsque l'espace dans l'armoire se refroidit à environ 32° C, les ventilateurs s'arrêtent automatiquement.



Risque de surchauffe du compresseur.

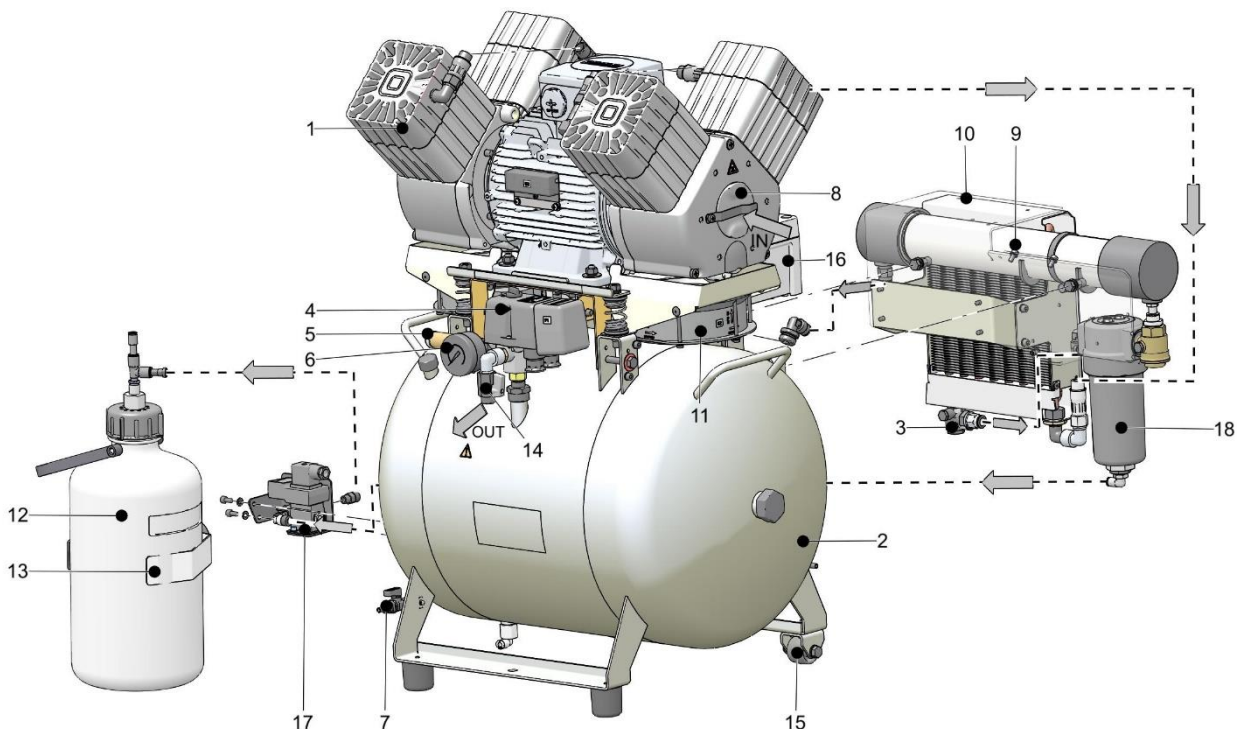
Assurez-vous qu'il n'existe pas d'obstacles au niveau de l'entrée d'air de refroidissement dans l'armoire (autour de la partie inférieure de l'armoire) et de la sortie d'air chaud sur la partie supérieure arrière de l'armoire.

Si le compresseur est placé sur un plancher mou, un tapis par exemple, créez un espace entre la base et le plancher ou entre l'armoire et le sol. Vous pouvez par exemple placer des supports durs sous les pieds afin d'assurer le refroidissement approprié du compresseur.

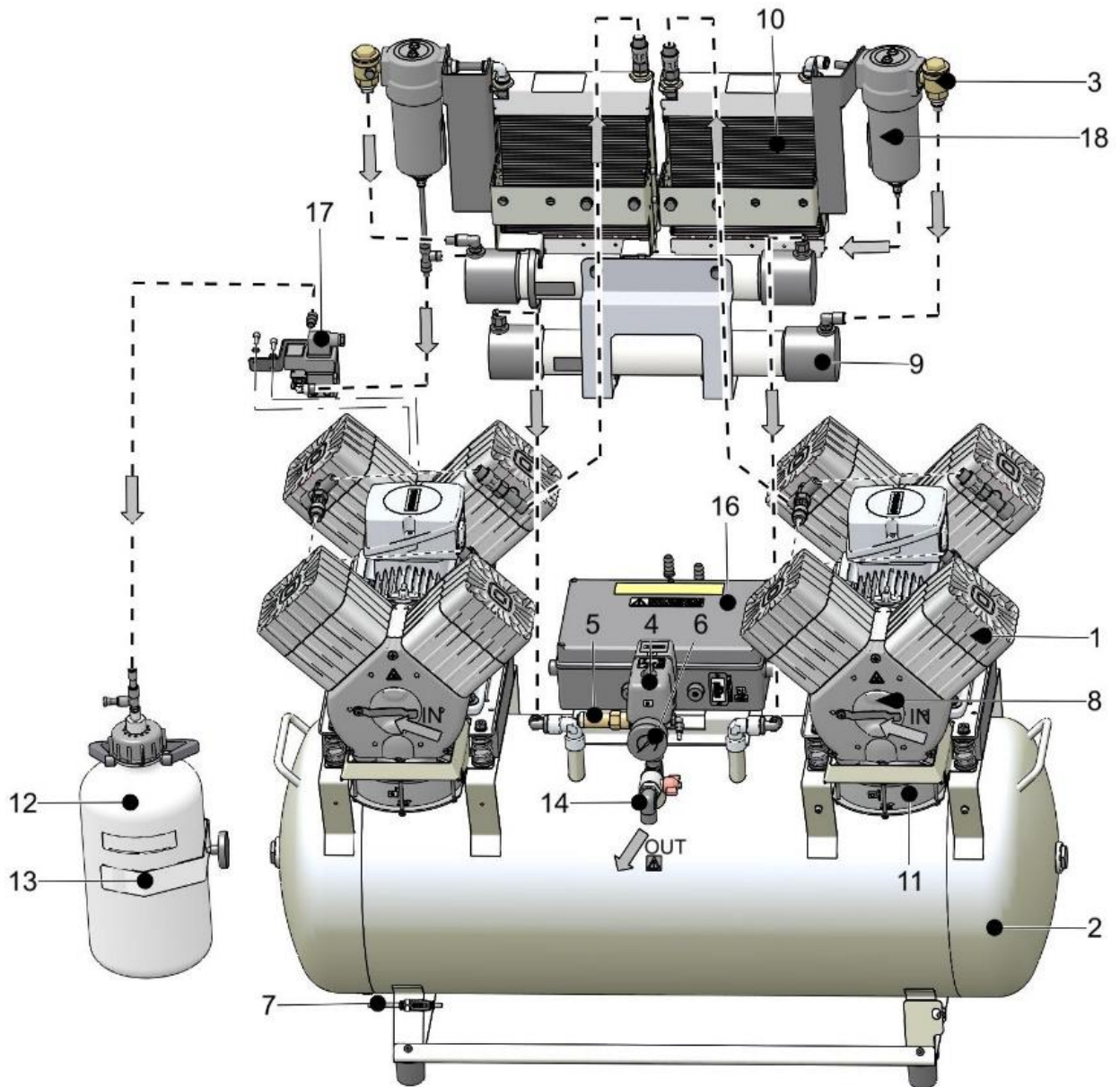
Description des figures 1 à 3

- | | |
|----------------------------------|---|
| 1 Agrégat du compresseur | 16 Boîtier électrique / armoire de distribution |
| 2 Réservoir d'air | 17 Électrovanne de purge du condensat |
| 3 Clapet anti-retour | 18 Filtre |
| 4 Pressostat | 21 Ventilateur de l'armoire |
| 5 Soupape de sûreté | 22 Manomètre |
| 6 Manomètre | 23 Commutateur |
| 7 Soupape de vidange | 24 Connecteur de l'armoire |
| 8 Filtre d'entrée | 25 Tuyau de manomètre |
| 9 Sécheur | 26 Chariot de positionnement |
| 10 Sécheur-refroidisseur | 27 Butée murale |
| 11 Ventilateur | 28 Cordon d'alimentation |
| 12 Cuve de collecte de condensat | 29 Ressorts pneumatiques de l'armoire |
| 13 Support magnétique | 30 Console de support |
| 14 Sortie d'air comprimé | 31 Indicateur de service |
| 15 Roulettes | |

Fig. 1: Compresseur avec sécheur

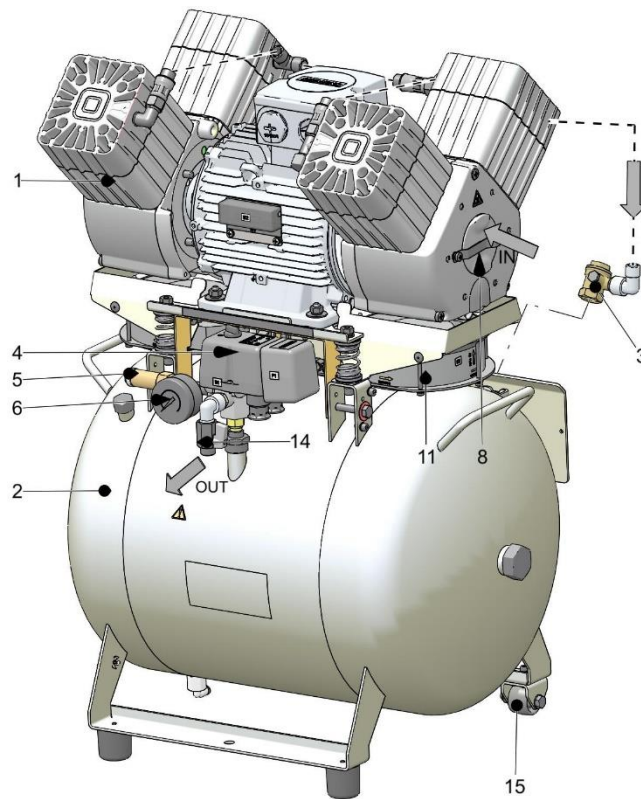


DK50 4VR/50/M

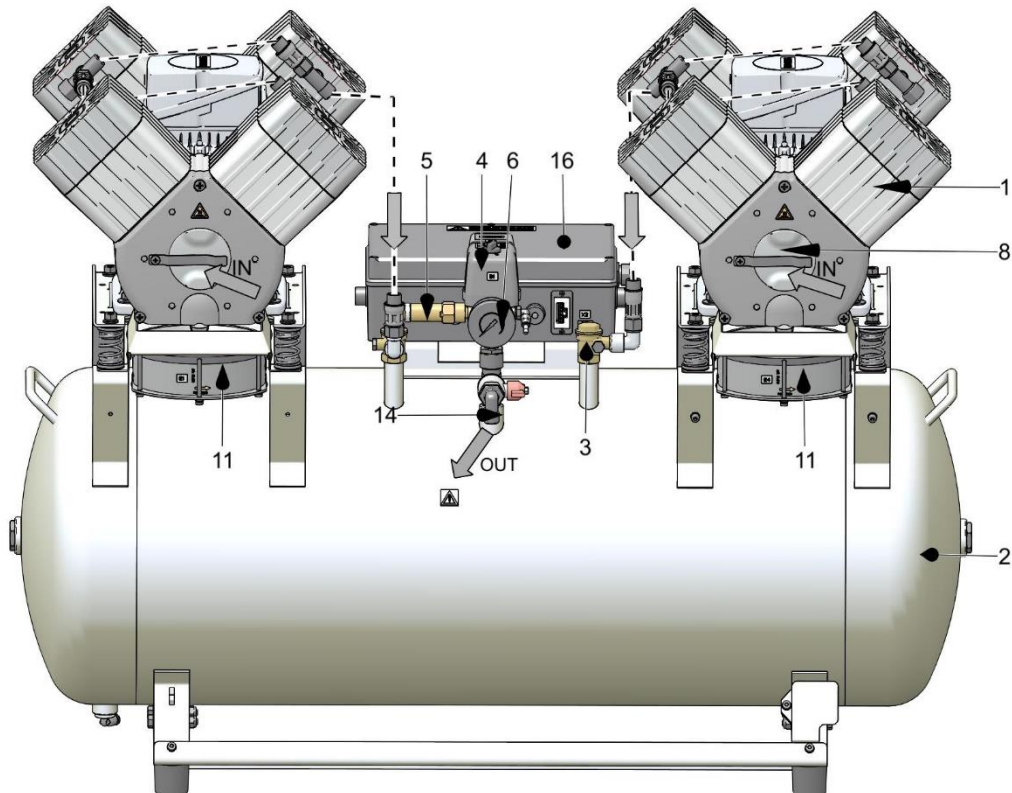


DK50 2x4VR/110/M

Fig. 2: Compresseur

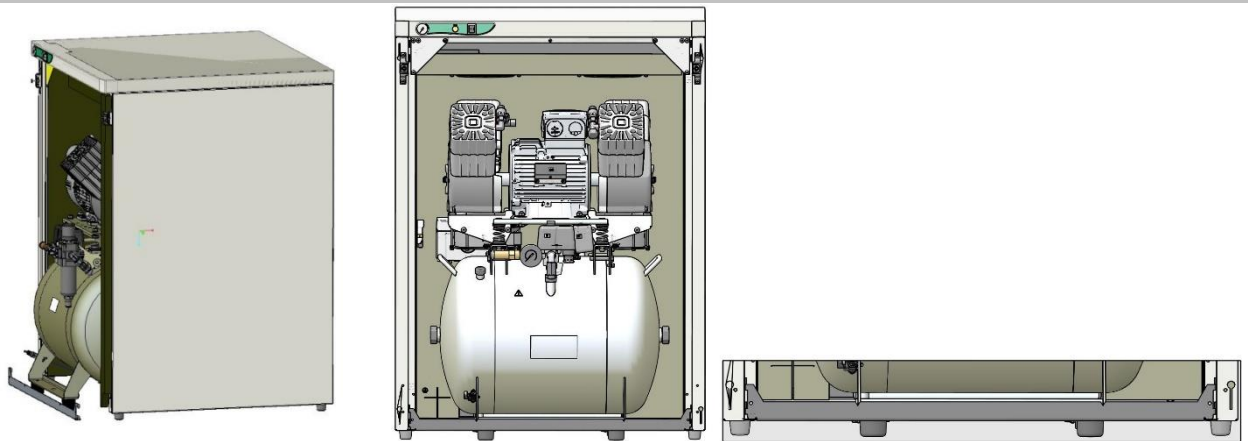
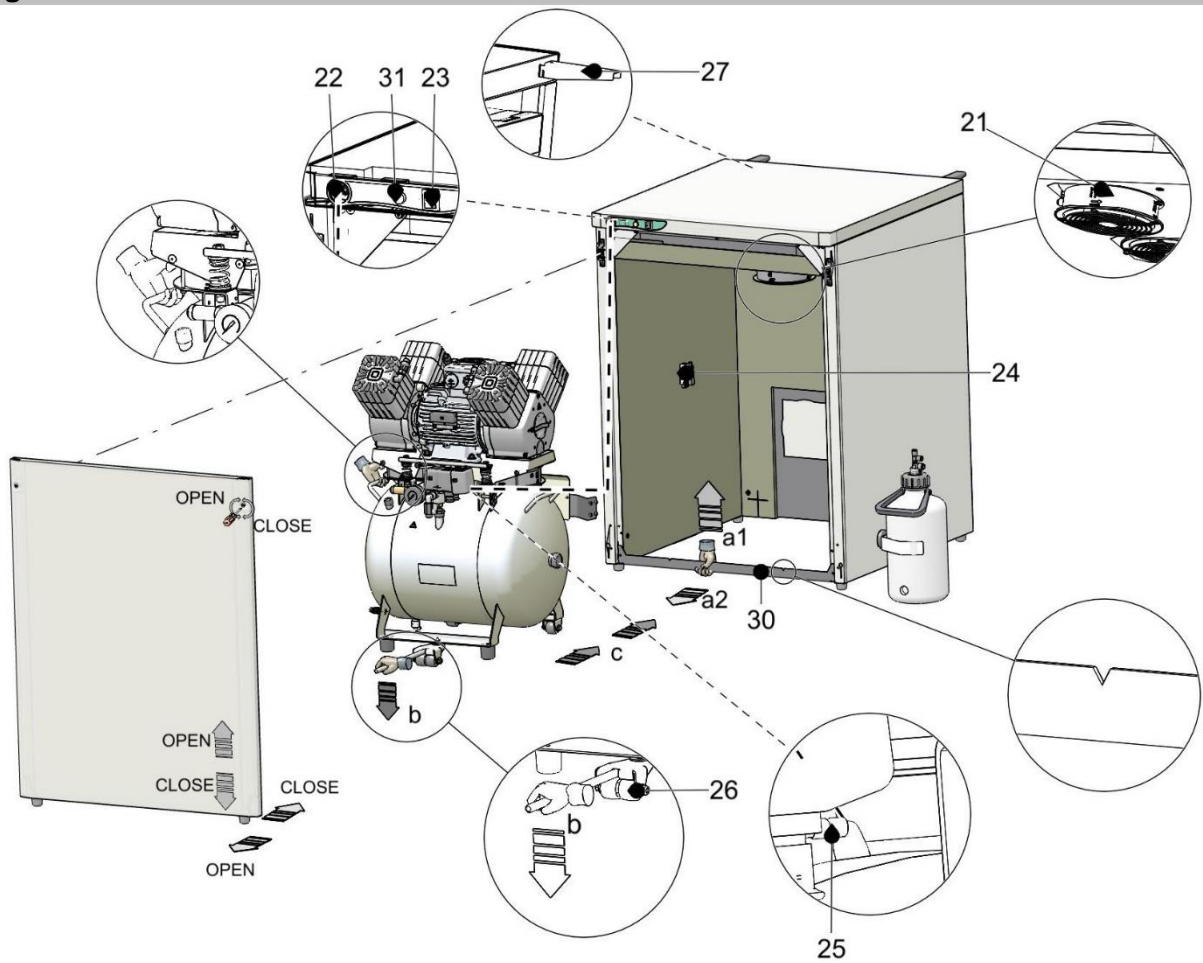


DK50 4VR/50

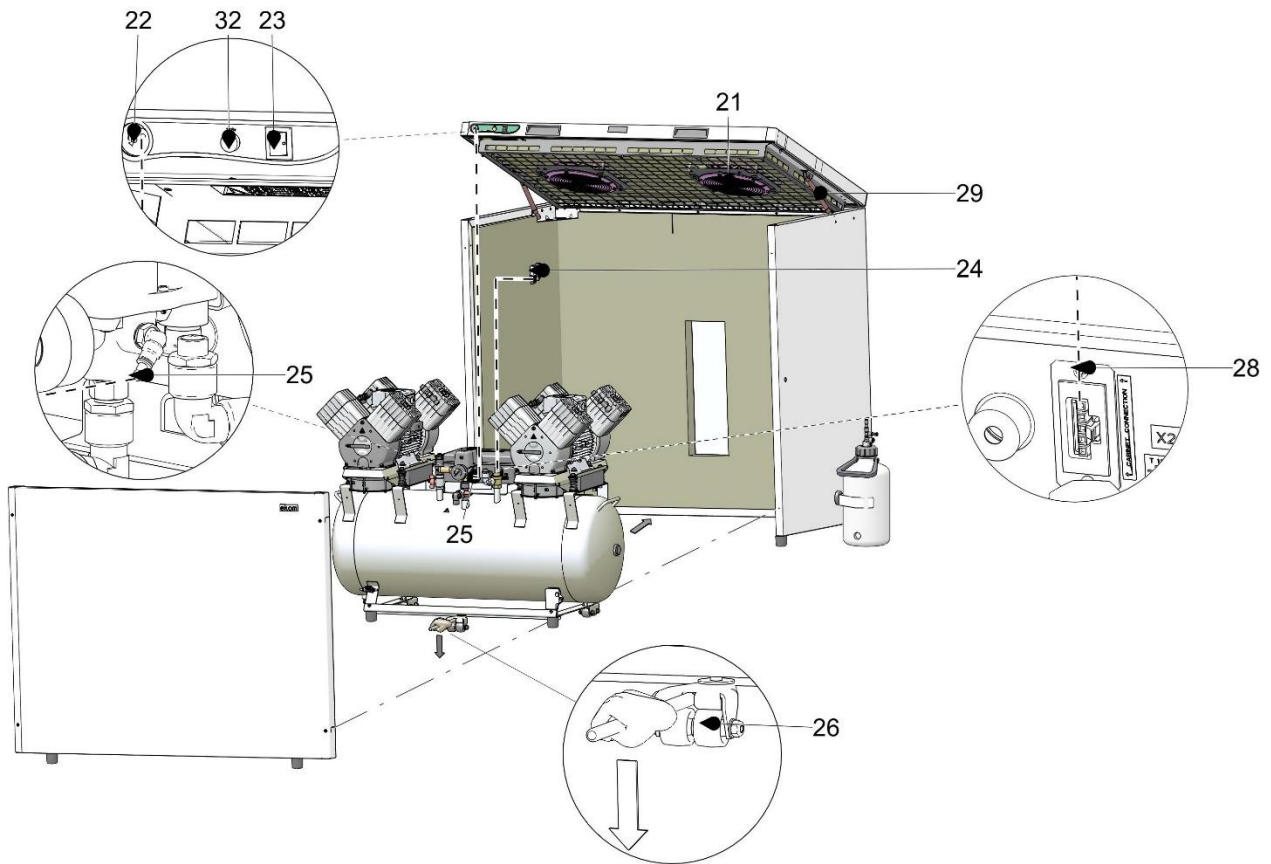


DK50 2x4VR/110

Fig. 3: Armoire



A – DK50 4VR/50S

**B – DK50 2x4VR/110S**

DONNÉES TECHNIQUES

Les compresseurs sont conçus pour fonctionner dans des pièces intérieures sèches, ventilées et exemptes de poussière dans les conditions climatiques suivantes :

Température

+5 °C à +40 °C

Humidité relative

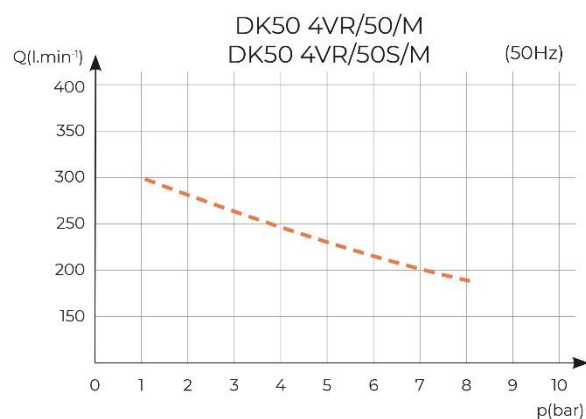
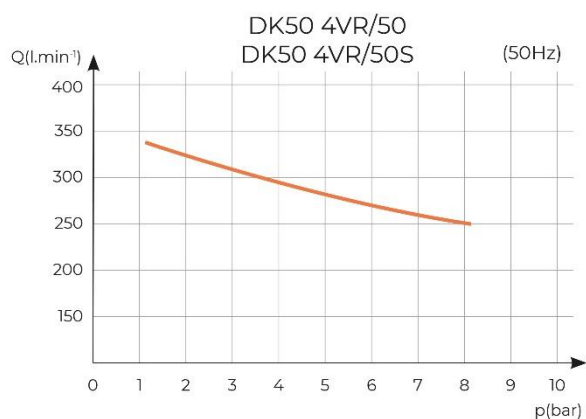
70 % maximum

Pression de travail 6 – 8 bar		DK50 4VR/50	DK50 4VR/50S	DK50 4VR/50/M	DK50 4VR/50S/M
Tension nominale Fréquence ^{a)}	V, Hz	3x400, 50	3x400, 50	3x400, 50	3x400, 50
Capacité à 6 bar (DAL)	l/min	270	270	215	215
Pression de travail ^{b)}	bar	6,0 – 8,0	6,0 – 8,0	6,0 – 8,0	6,0 – 8,0
Courant nominal	A	4,7	5,1	4,8	5,2
Puissance du moteur	kW	2,2	2,2	2,2	2,2
Volume du réservoir d'air	l	50	50	50	50
Qualité de l'air - filtration	µm	-	-	0,1	0,1
Pression maximale de fonctionnement de la soupape de sûreté	bar	12,0	12,0	12,0	12,0
Niveau de bruit à 5 bar (L _{pA})	dB	≤77,0	≤58,0	≤77,0	≤58,0
Mode de fonctionnement	%	S1-100	S1-100	S1-100	S1-100
Performance de séchage PDP à 7 bar	°C	-	-	≤ +3	≤ +3
Dimensions (nettes) L x l x h	mm	577x587x815	750x778x1015	577x628x815	750x778x1015
Poids net ^{c)}	kg	70	128	81	139
Classification selon la norme EN 60601-1		Classe I.			

a) Précisez la version du compresseur lors de la commande

b) Consultez toute autre gamme de pression avec le fournisseur

c) Le poids est indicatif et s'applique uniquement au produit sans accessoires

Influence de la puissance du compresseur sur la pression de travail

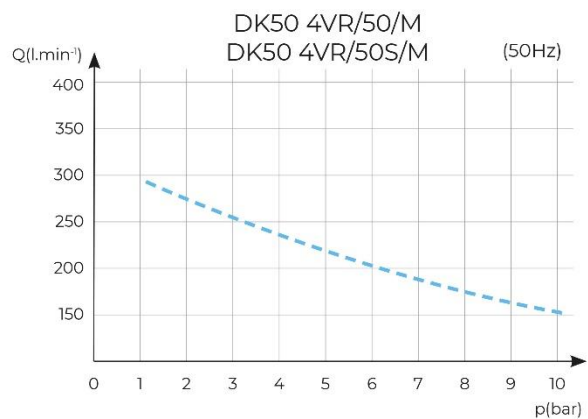
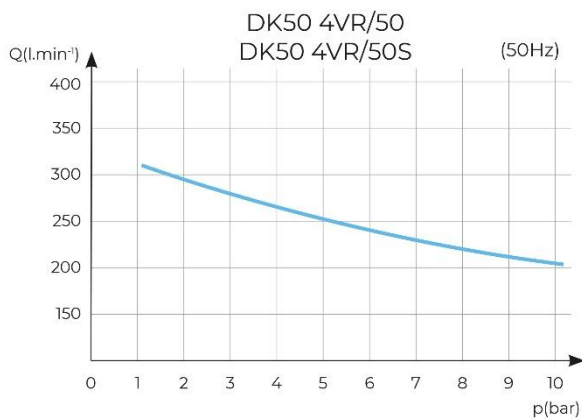
Pression de travail 8 – 10 bar		DK50 4VR/50	DK50 4VR/50S	DK50 4VR/50/M	DK50 4VR/50S/M
Tension nominale Fréquence ^{a)}	V, Hz	3x400, 50	3x400, 50	3x400, 50	3x400, 50
Capacité à 8 bar (DAL)	l/min	220	220	175	175
Pression de travail ^{b)}	bar	8,0 – 10,0	8,0 – 10,0	8,0 – 10,0	8,0 – 10,0
Courant nominal	A	4,7	5,1	5,4	5,9
Puissance du moteur	kW	2,2	2,2	2,2	2,2
Volume du réservoir d'air	l	50	50	50	50
Qualité de l'air - filtration	µm	-	-	0,1	0,1
Pression maximale de fonctionnement de la soupape de sûreté	bar	12,0	12,0	12,0	12,0
Niveau de bruit à 5 bar (L _{pA})	dB	≤77,0	≤58,0	≤77,0	≤58,0
Mode de fonctionnement	%	S1-100	S1-100	S1-100	S1-100
Performance de séchage PDP à 7 bar	°C	-	-	≤ +3	≤ +3
Dimensions (nettes) L x l x h	mm	577x587x815	750x778x1015	577x628x815	750x778x1015
Poids net ^{c)}	kg	70	128	81	139
Classification selon la norme EN 60601-1	Classe I.				

^{a)} Précisez la version du compresseur lors de la commande

^{b)} Consultez toute autre gamme de pression avec le fournisseur

^{c)} Le poids est indicatif et s'applique uniquement au produit sans accessoires

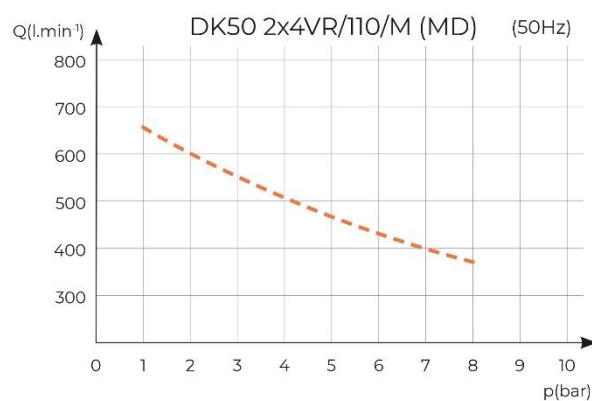
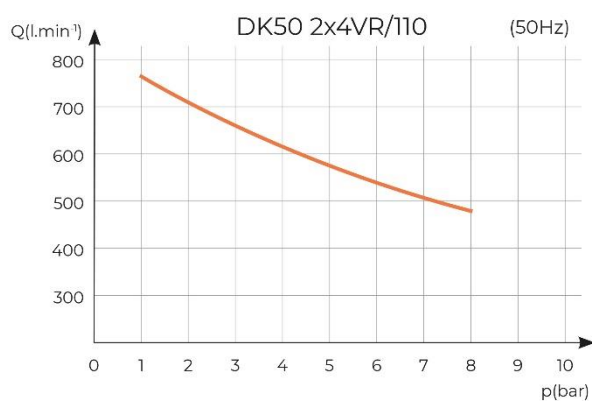
Influence de la puissance du compresseur sur la pression de travail



Pression de travail 6 – 8 bar		DK50 2x4VR/110	DK50 2x4VR/110S	DK50 2x4VR/110/M	DK50 2x4VR/110S/M
Tension nominale	V, Hz	3x400, 50	3x400, 50	3x400, 50	3x400, 50
Fréquence ^{a)}					
Capacité à 6 bar (DAL)	l/min	540	540	430	430
Pression de travail ^{b)}	bar	6,0 – 8,0	6,0 – 8,0	6,0 – 8,0	6,0 – 8,0
Courant nominal	A	9,4	10,2	10,1	10,6
Puissance du moteur	kW	2x2,2	2x2,2	2x2,2	2x2,2
Volume du réservoir d'air	l	110	110	110	110
Qualité de l'air - filtration	µm	-	-	0,1	0,1
Pression maximale de fonctionnement de la soupape de sûreté	bar	9,0	9,0	9,0	9,0
Niveau de bruit à 5 bar (L _{pA})	dB	≤77,0	≤58,0	≤77,0	≤58,0
Mode de fonctionnement	%	S1-100	S1-100	S1-100	S1-100
Performance de séchage PDP à 7 bar	°C	-	-	≤ +3	≤ +3
Dimensions (nettes) L x l x h	mm	1085x511x830	1260x834x1046	1085x678x830	1260x834x1046
Poids net ^{c)}	kg	136	218	158	240
Classification selon la norme EN 60601-1		Classe I.			

- a) Précisez la version du compresseur lors de la commande
- b) Consultez toute autre gamme de pression avec le fournisseur
- c) Le poids est indicatif et s'applique uniquement au produit sans accessoires

Influence de la puissance du compresseur sur la pression de travail



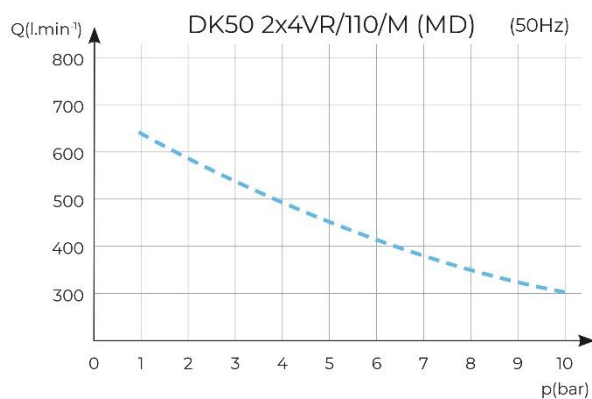
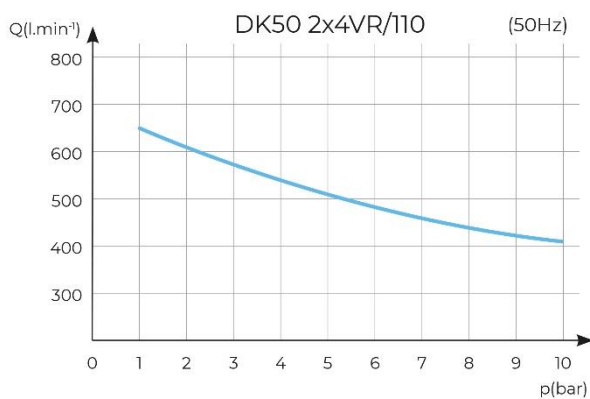
Pression de travail 8 – 10 bar		DK50 2x4VR/110	DK50 2x4VR/110S	DK50 2x4VR/110/M	DK50 2x4VR/110S/M
Tension nominale Fréquence ^{a)}	V, Hz	3x400, 50	3x400, 50	3x400, 50	3x400, 50
Capacité à 8 bar (DAL)	l/min	440	440	350	350
Pression de travail ^{b)}	bar	8,0 – 10,0	8,0 – 10,0	8,0 – 10,0	8,0 – 10,0
Courant nominal	A	9,4	10,2	10,1	10,6
Puissance du moteur	kW	2x2,2	2x2,2	2x2,2	2x2,2
Volume du réservoir d'air	l	110	110	110	110
Qualité de l'air - filtration	µm	-	-	0,1	0,1
Pression maximale de fonctionnement de la soupape de sûreté	bar	12,0	12,0	12,0	12,0
Niveau de bruit à 5 bar (L _{pA})	dB	≤77,0	≤58,0	≤77,0	≤58,0
Mode de fonctionnement	%	S1-100	S1-100	S1-100	S1-100
Performance de séchage PDP à 7 bar	°C	-	-	≤ +3	≤ +3
Dimensions (nettes) L x l x h	mm	1085x511x830	1260x834x1046	1085x678x830	1260x834x1046
Poids net ^{c)}	kg	136	218	158	240
Classification selon la norme EN 60601-1		Classe I.			

a) Précisez la version du compresseur lors de la commande

b) Consultez toute autre gamme de pression avec le fournisseur

c) Le poids est indicatif et s'applique uniquement au produit sans accessoires

Influence de la puissance du compresseur sur la pression de travail



Correction de la capacité de la DAL en fonction de l'altitude

La capacité donnée sous forme de DAL (« Distribution d'air libre ») s'applique aux conditions suivantes :

Altitude	0 m ADNMM	Température	20 °C
Pression atmosphérique	101 325 Pa	Humidité relative	0 %

Pour calculer la capacité du compresseur DAL en fonction de l'altitude, il est nécessaire d'appliquer un facteur de correction selon le tableau suivant :

Altitude [m ADNMM]	0 - 1 500	1 501 - 2 500	2 501 – 3 500	3 501 – 4 500
Facteur de correction de la DAL	1	0,80	0,71	0,60

Clarté de la compatibilité électromagnétique (cem)

Dé Le dispositif médical nécessite une précaution particulière concernant la compatibilité électromagnétique (CEM) et doivent être installés et mis en service conformément aux informations CEM fournies ci-dessous.

Directives et déclaration du fabricant - émissions électromagnétiques		
Conformément à IEC 60601-1-2:2014 - Appareils électromédicaux – Partie 1-2: Règles générales pour la sécurité de base et les performances essentielles – Norme collatérale: Perturbations électromagnétiques - Exigences et essais		
L'appareil est destiné à être utilisé dans l'environnement électromagnétique spécifié ci-dessous. Le client ou l'utilisateur de l'appareil doit s'assurer qu'il est utilisé dans un tel environnement.		
Test d'émissions	Conformité	Environnement électromagnétique - directives
Émissions RF CISPR 11	Groupe 1	L'appareil utilise l'énergie RF uniquement pour son fonctionnement interne. Par conséquent, les émissions RF sont très faibles et ne sont pas susceptibles de provoquer des interférences avec l'équipement électronique se trouvant à proximité.
Émissions RF CISPR 11	Classe B	L'appareil est adapté à une utilisation dans toutes les installations, y compris les installations résidentielles et celles directement raccordées au réseau public d'alimentation basse tension qui alimente les bâtiments utilisés à des fins résidentielles.
Émissions d'harmoniques CEI 61000-3-2	Classe A	
Variations de tension / émissions flicker CEI 61000-3-3	L'appareil ne devrait pas créer de flickers, étant donné que le débit du courant est à peu près constant après la mise en marche.	


Directives et déclaration du fabricant - immunité électromagnétique

Conformément à IEC 60601-1-2:2014 - Appareils électromédicaux – Partie 1-2: Règles générales pour la sécurité de base et les performances essentielles – Norme collatérale: Perturbations électromagnétiques - Exigences et essais

L'appareil est destiné à être utilisé dans l'environnement électromagnétique spécifié ci-dessous. Le client ou l'utilisateur de l'appareil doit s'assurer qu'il est utilisé dans un tel environnement.

Test d'immunité	Niveau de test CEI 60601-1-2	Niveau de conformité	Environnement électromagnétique - directives
Décharge électrostatique (ESD) CEI 61000-4-2	± 8 kV contact ± 15 kV air	± 8 kV contact ± 15 kV air	Les sols doivent être en bois, béton ou carreaux de céramique. Si les sols sont recouverts d'un matériau synthétique, l'humidité relative doit être supérieure ou égale à 30 %.
Transitoires électriques rapides / en salves CEI 61000-4-4	± 2 kV pour les lignes d'alimentation ± 1 kV pour les lignes d'entrée / sortie	± 2 kV Fréquence de répétition de 100 kHz Appliqué au raccordement au réseau électrique	La qualité de l'alimentation doit être celle d'un environnement commercial ou hospitalier typique.
Surtension CEI 61000-4-5	±1 kV mode différentiel ±2 kV mode commun	±1 kV L-N ±2 kV L-PE; N-PE Appliqué au raccordement au réseau électrique	La qualité de l'alimentation doit être celle d'un environnement commercial ou hospitalier typique.
Creux de tension, courte interruption, et variations de tension sur les lignes d'entrée d'alimentation électrique CEI 60601-4-11	$U_T=0\%$, 0,5 cycle (à 0, 45, 90, 135, 180, 225, 270 et 315°) $U_T=0\%$, 1 cycle $U_T=70\%$ 25/30 cycles (à 0°) $U_T=0\%$, 250/300 cycles	$U_T \Rightarrow 95\%$, 0,5 cycle (à 0, 45, 90, 135, 180, 225, 270 et 315°) $U_T \Rightarrow 95\%$, 1 cycle $U_T=70\%$ (30% baisse U_T), 25(50Hz)/30(60Hz) cycles (à 0°) $U_T \Rightarrow 95\%$, 250(50Hz)/300(60Hz) cycle	La qualité de l'alimentation doit être celle d'un environnement commercial ou hospitalier typique. L'appareil s'arrête et redémarre automatiquement après chaque baisse. Ainsi, aucune chute de pression intolérable ne se produit.
Fréquence d'alimentation (50/60 Hz) CEI 61000-4-8	30 A/m	30 A/m	Les champs magnétiques de la fréquence d'alimentation doivent être à des niveaux caractéristiques d'un emplacement typique dans un environnement commercial ou hospitalier typique.

Remarque : U_T est la tension d'alimentation avant l'application du niveau de test.

Directives et déclaration du fabricant - immunité électromagnétique			
Conformément à IEC 60601-1-2:2014 - Appareils électromédicaux – Partie 1-2: Règles générales pour la sécurité de base et les performances essentielles – Norme collatérale: Perturbations électromagnétiques - Exigences et essais			
L'appareil est destiné à être utilisé dans l'environnement électromagnétique spécifié ci-dessous. Le client ou l'utilisateur de l'appareil doit s'assurer qu'il est utilisé dans un tel environnement.			
Test d'immunité	Niveau de test CEI 60601-1-2	Niveau de conformité	Environnement électromagnétique - directives
RF par conduction CEI 61000-4-6	3 Vrms 150 kHz à 80MHz	3 Vrms	Les appareils de communication RF portables et mobiles ne doivent pas être utilisés à une distance inférieure à la distance de séparation recommandée, calculée à partir de l'équation applicable à la fréquence de l'émetteur, de n'importe quelle partie de l'appareil, y compris les câbles. Distance de séparation recommandée $d=1,2\sqrt{P}$ $d=1,2\sqrt{P}$, 80 MHz à 800 MHz $d=2,3\sqrt{P}$, 800 MHz à 2,7 GHz où P est la puissance maximale de sortie de l'émetteur en watts (W) selon le fabricant de l'émetteur et d est la distance de séparation recommandée en mètres (m).
RF par rayonnement CEI 61000-4-3	3 V/m 80 MHz à 2,7 GHz	3 V/m	Les intensités de champ des émetteurs RF fixes, telles que déterminées par une étude électromagnétique du site ^a , doivent être inférieures au niveau de conformité dans chaque plage de fréquences. ^b Des interférences peuvent se produire à proximité des équipements portant le symbole suivant :
Champs de proximité des appareils de communication sans fil RF CEI 61000-4-3	9 à 28 V / m 15 fréquences spécifiques (380 à 5800 MHz)	9 à 28 V / m 15 fréquences spécifiques (380 à 5800 MHz)	
REMARQUE 1 : à 80 MHz et 800 MHz, la plage de fréquence la plus élevée s'applique.			
REMARQUE 2 : ces directives peuvent ne pas s'appliquer dans toutes les situations. La propagation électromagnétique est affectée par l'absorption et la réflexion des structures, objets et personnes.			
<p>^a Les intensités de champ des émetteurs fixes, tels que les stations de base pour téléphones radio (cellulaires / sans fil) et des radios mobiles terrestres, radios amateurs, diffusion radio AM et FM et diffusion télévisée ne peuvent pas être prédites théoriquement avec précision. Pour évaluer l'environnement électromagnétique dû à des émetteurs RF fixes, une étude électromagnétique du site doit être envisagée. Si l'intensité de champ mesurée sur le lieu où l'appareil utilisé dépasse le niveau de conformité RF applicable ci-dessus, l'appareil doit être observé pour vérifier le fonctionnement normal. Si des anomalies sont observées, des mesures supplémentaires peuvent être nécessaires, telles que la réorientation ou le déplacement de l'appareil.</p> <p>^b Sur la plage de fréquence de 150 kHz à 80 kHz, les intensités de champ doivent être inférieures à 3 V/m.</p>			

INSTALLATION



Risque d'installation incorrecte.

Le compresseur doit être installé et mis en fonctionnement pour la toute première fois par un technicien qualifié. Ce technicien doit former le personnel à l'utilisation et à la maintenance de l'équipement. Une inscription est faite dans le registre d'installation de l'équipement pour certifier l'installation et la formation des opérateurs. (Voir le chapitre Annexe)

10. CONDITIONS D'INSTALLATION

- Le compresseur ne peut être installé et utilisé que dans un environnement sec, bien ventilé et propre, dans les conditions spécifiées dans le chapitre sur les Données techniques.



Risque de dommages à l'appareil.

L'équipement ne doit pas être utilisé à l'extérieur ou dans des environnements humides.



Risque d'explosion.

Évitez d'utiliser l'équipement en présence de gaz explosifs, de poussières ou de liquides inflammables.



Risque de brûlure ou d'incendie ! Mise en garde ! Surface chaude !

Des éléments de l'agrégat peuvent chauffer et atteindre des températures dangereuses lors de l'utilisation du compresseur et tout contact avec ceux-ci peut poser un risque pour les opérateurs ou les matériaux.

- Le compresseur doit être installé de sorte à être accessible en permanence pour utilisation et maintenance. Assurez-vous que la plaque signalétique de l'appareil est facilement accessible.
- Le compresseur doit être posé sur un support plat et suffisamment stable (faites attention au poids du compresseur, voir le chapitre sur les Données techniques).
- Toute autre utilisation en dehors de ce cadre n'est pas considérée comme une utilisation prévue. Le fabricant ne saurait être tenu responsable des dégâts découlant d'une telle utilisation. L'opérateur/l'utilisateur en assume la totalité des risques.



Danger de température élevée.

Il est interdit d'obstruer la circulation de l'air en amont ou en aval du refroidisseur. Les parties internes et externes du refroidisseur peuvent chauffer et atteindre des températures dangereuses.



Lorsque vous mettez l'appareil en service pour la première fois (pendant une courte période), vous pouvez percevoir une odeur de « neuf ». Cette odeur est temporaire et n'empêche pas l'utilisation normale de l'appareil. Veillez à ce que la pièce soit correctement aérée après l'installation.

11. ENSEMBLE COMPRESSEUR

11.1. Manipulation et libération du compresseur

- Retirez le compresseur de son emballage.
- Disposez le compresseur sur le site d'installation (Fig. 4).

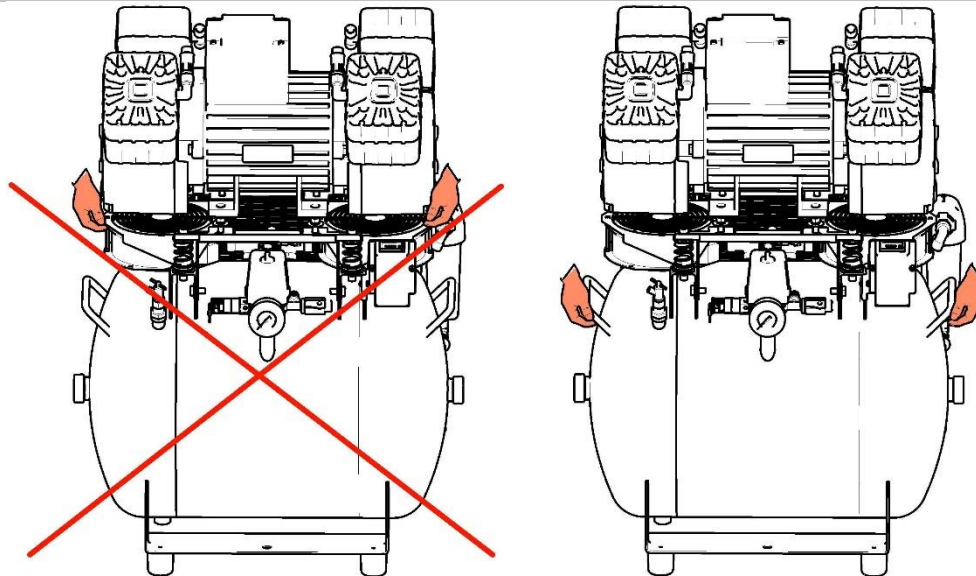


Utilisez les poignées du compresseur pour déplacer le compresseur au besoin. Ne vous servez pas d'autres parties du compresseur (l'agrégat, etc.) comme poignée.

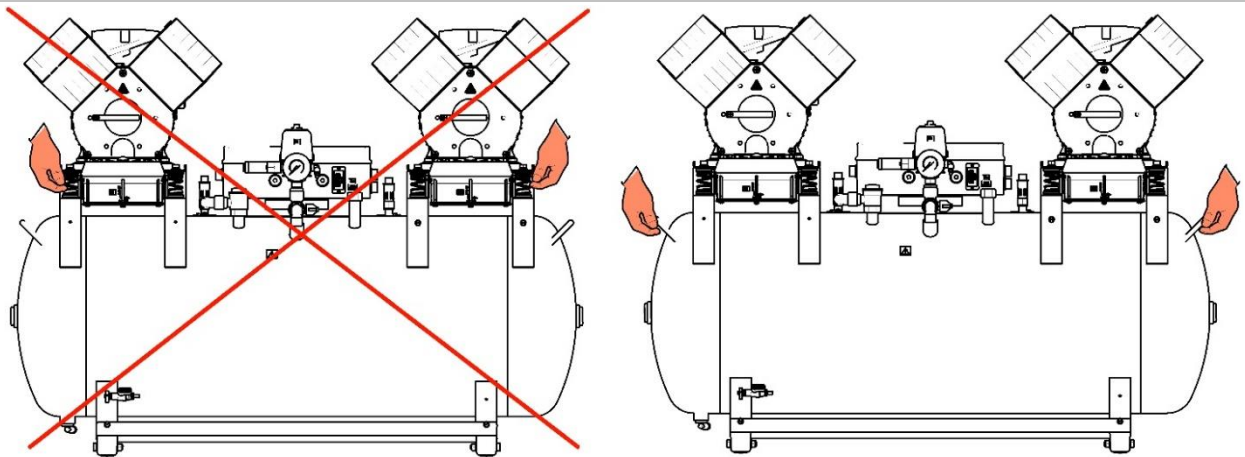


Il faut au moins deux personnes pour manipuler l'équipement.

Fig. 4: Manipulation du compresseur



DK50 4VR/50



DK50 2x4VR/110

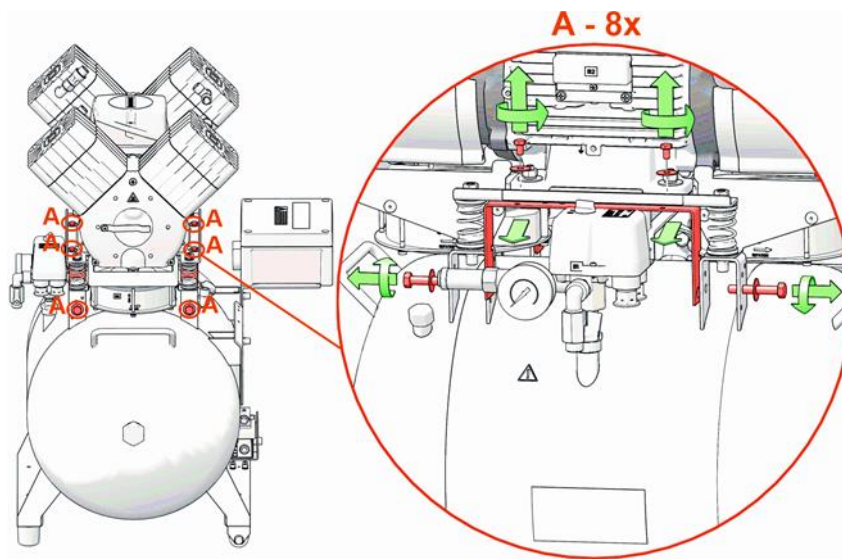
- Retirez les stabilisateurs de transport des pompes à air (Fig. 5).



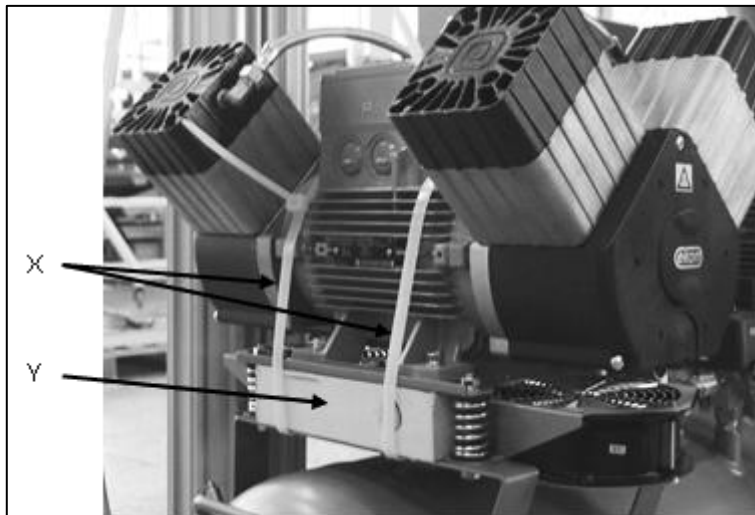
Avant l'installation, assurez-vous d'enlever tous les emballages de transport et les stabilisateurs afin d'éviter tout risque de dommage au produit.

Retirez tous les dispositifs utilisés pour fixer les agrégats une fois que le compresseur a été installé et stabilisé sur le site d'installation final.

Fig. 5: Desserrez les pompes à air



DK50 4VR/50



DK50 2x4VR/110

11.2. Positionnement du compresseur dans l'armoire

DK50 4VR/50S (Fig. 3-A)

Démontage de la porte de l'armoire

- Retirez la porte maintenue par 2 vis et débranchez le conducteur de mise à la terre.

Positionnement du compresseur

- Retirez la barrette de raccordement (30) à l'avant de l'armoire.
- Insérez le compresseur dans l'armoire à l'aide du chariot de positionnement (26), placez la barrette de raccordement à l'avant de l'armoire et réglez la position du compresseur de sorte que les deux encoches en forme de « V » de la barrette de raccordement s'alignent avec les pieds du compresseur. Ainsi, le compresseur se trouvera dans la position idéale pour l'armoire.
- Insérez le compresseur équipé d'un sécheur dans l'armoire de façon à ce que son ventilateur s'insère dans l'ouverture du tunnel de refroidissement de l'armoire. ATTENTION, n'insérez pas

le compresseur jusqu'à atteindre la butée. Pour les modèles de compresseur avec sécheur, le flux d'air de refroidissement dans le refroidisseur est limité, ce qui provoque un risque de dégât permanent pour le sécheur.

- Placez la bande de raccordement (30) dans sa position initiale au bas de l'armoire.

Montage de la porte de l'armoire

- Alignez la porte avec l'armoire, connectez le conducteur de mise à la terre à la porte et montez la porte sur l'armoire à l'aide de 2 vis.



Un compresseur équipé d'un sécheur d'air ne doit pas être inséré dans l'armoire jusqu'à la butée, car il y a un risque d'endommagement permanent du sécheur.

DK50 2x4VR/110S (Fig. 3-B):

Ouverture du couvercle supérieur

- Ouvrez la serrure en la tournant à l'aide d'un tournevis comme indiqué dans le pictogramme et relevez-la à l'aide de la poignée.
- Les ressorts à gaz maintiennent le couvercle ouvert.



Faites attention à vos doigts lorsque vous refermez le couvercle de l'armoire.

Verrouillez toujours à l'aide des attaches rapides après avoir fermé le couvercle de l'armoire !

Démontage du panneau avant de l'armoire

- Retirez la porte maintenue par 4 vis M5 et débranchez le conducteur de mise à la terre.

Insertion du compresseur

- Insérez le compresseur équipé d'un sécheur dans l'armoire de façon à ce que son ventilateur s'insère dans l'ouverture du tunnel de refroidissement de l'armoire. (Fig. 6)



Un compresseur équipé d'un sécheur d'air ne doit pas être inséré dans l'armoire jusqu'à la butée, car il y a un risque d'endommagement permanent du sécheur.

Montage de la porte de l'armoire

- Alignez la porte avec l'armoire, connectez le conducteur de mise à la terre à la porte et montez la porte sur l'armoire à l'aide de 4 vis.

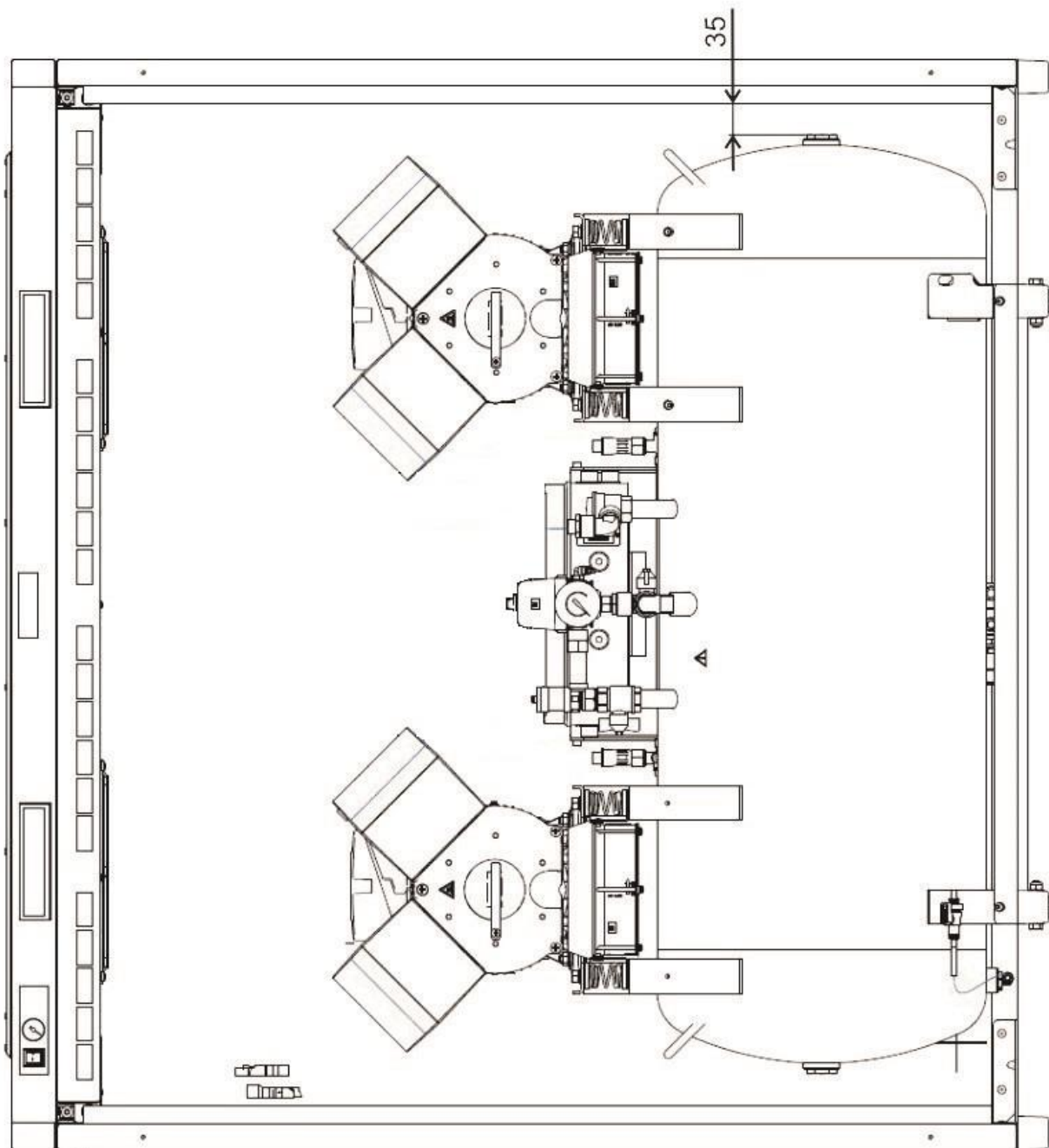


Fig. 6: Positionnement du compresseur dans l'armoire

11.3. Installation de la soupape sur le dispositif de vidange du condensat de l'armoire (DK50 2x4VR/110)

Pour les compresseurs montés en armoire, installez le raccord fileté avec la vanne (1) dans le trou sur le côté de l'armoire et installez un tuyau PA Ø8 / Ø6 (2). Insérez l'autre bout du tuyau dans le raccord (4) se trouvant à côté du réservoir d'air, à partir duquel l'on retire la soupape (3) et le tuyau.

Utilisez un bouchon de 16,5 de diamètre pour refermer le trou de l'autre côté de l'armoire.

Le raccord, ainsi que la soupape, sont des pièces standards fournies avec l'armoire. La soupape de vidange du condensat peut être installée des deux côtés du compresseur.

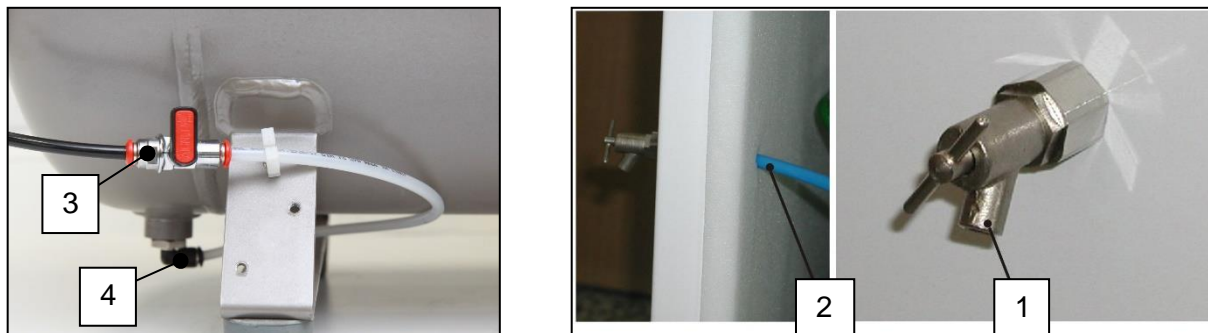


Fig. 7: Installation de la soupape sur le dispositif de vidange du condensat de l'armoire (DK50 2x4VR/110)



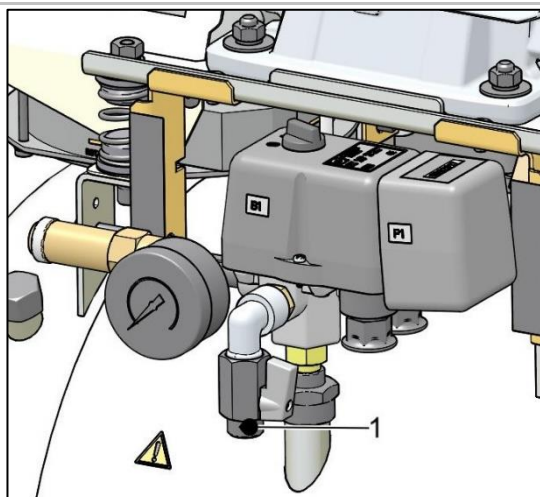
Utilisez un tournevis pour débrancher le connecteur de l'armoire lorsque vous démontez le compresseur !

12. RACCORDS PNEUMATIQUES

12.1. Raccordement à la prise d'air comprimé

- Faites passer le tuyau à pression de la sortie d'air comprimé (1) à l'équipement connecté.
- Pour les compresseurs montés en armoire, faites passer le tuyau de pression à travers l'ouverture de la paroi arrière de l'armoire.
- Raccordement G3/8" (DK50 4VR/50), G1/2" (DK50 2x4VR/110).

DK50 4VR/50



DK50 2x4VR/110

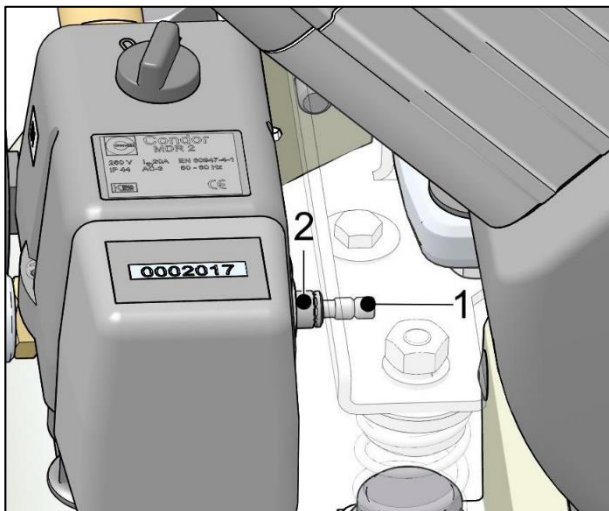


Fig. 8: Raccordement à la prise d'air comprimé

12.2. Raccordement du manomètre de l'armoire au compresseur

- Retirez le bouchon (1) des filetages (2) du bloc pneumatique du compresseur
- Raccordez le tuyau du manomètre de l'armoire au raccord fileté

DK50 4VR/50



DK50 2x4VR/110

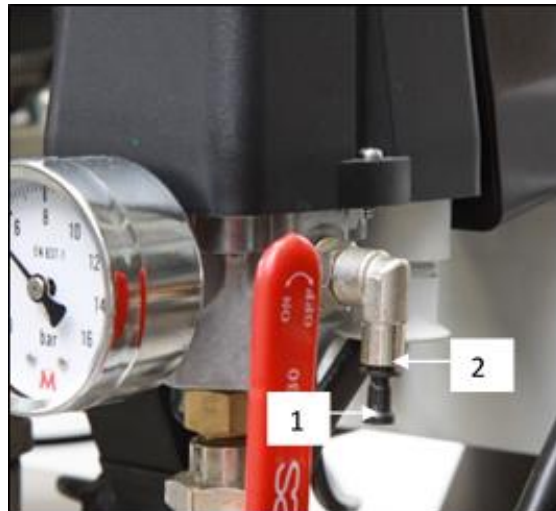


Fig. 9: Raccordement du manomètre de l'armoire au compresseur

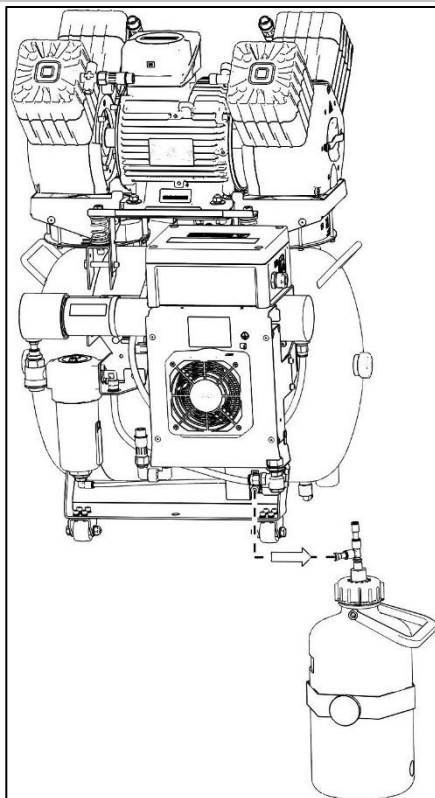
Sortie du condensat du sécheur



Ne raccordez pas la purge de condensat directement sur une purge des eaux usées ! Des passants risquent d'être blessés !

- Raccordez un tuyau à la sortie du dispositif automatique de purge de condensat vers la tuyauterie d'évacuation ou vers la cuve de collecte du condensat fournie

DK50 4VR/50



DK50 2x4VR/110

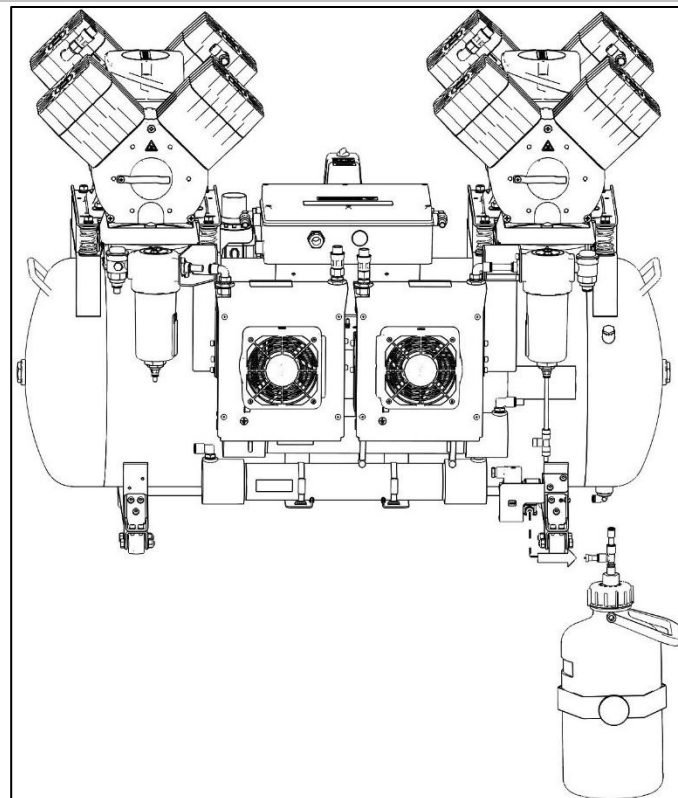


Fig. 10 : Sortie du condensat du sécheur

12.3. Acheminement des tuyaux et des câbles électriques dans les compresseurs montés en armoire

- Faites passer le tuyau et les câbles électriques par l'ouverture de la paroi arrière de l'armoire pour les modèles à compresseur avec sécheur.



Risque d'endommagement des composants pneumatiques.

Les tuyaux d'air ne doivent pas être brisés.

13. RACCORDEMENT ELECTRIQUE

- Le produit est livré avec un cordon équipé d'une fiche avec broche de mise à la terre.
- Avec des compresseurs montés en armoire, faites passer le cordon d'alimentation par l'ouverture de la paroi arrière de l'armoire.
- Placez la prise à un endroit facilement accessible, de sorte à pouvoir débrancher l'appareil en toute sécurité.
- Le raccord à l'armoire de distribution de l'énergie électrique doit être de 16 A au maximum.



Risque d'électrocution.

Il est nécessaire de respecter toutes les réglementations électrotechniques locales. La fréquence et la tension du secteur doivent être conformes aux informations mentionnées sur l'étiquette de l'appareil.



Risque d'incendie et d'électrocution.

Le cordon électrique ne doit pas être rompu.



Risque d'incendie et d'électrocution.

Assurez-vous que le câble électrique ne touche pas les composants chauds du compresseur.

- Raccordez la broche afin d'établir une liaison équipotentielle de 6Ø mm (1) au circuit électrique en utilisant la méthode définie dans le cadre des réglementations électriques locales en vigueur
- La prise réservée à la liaison équipotentielle (2) est un accessoire et n'est pas fournie dans le kit de base



Fig. 11: Liaison équipotentielle

- Montez le raccord du conducteur de mise à la terre sur la porte et vissez l'armoire.

Raccordement du cordon d'alimentation

Tension d'alimentation	Type de câble électrique
230V/50 (60) Hz	3Gx1.5x4000
400V/50 (60) Hz	5Gx1.5x4000

13.1. Raccordement d'un compresseur non installé dans une armoire

- Branchez la fiche secteur sur une prise secteur.

- Le compresseur est prêt à être utilisé.

13.2. Raccordement d'un compresseur installé dans une armoire

- Pour les modèles de compresseurs montés en armoire, faites passer la prise secteur à travers l'ouverture de la paroi arrière de l'armoire. (Fig. 12)
- Connectez l'armoire au compresseur en branchant le cordon d'alimentation fourni avec le connecteur dans une sortie. (Fig. 13)
- Débranchez l'armoire du compresseur en tirant le connecteur de la prise pendant que le loquet est relâché.



Fig. 12: Ouverture dans la paroi arrière de l'armoire



Fig. 13: Raccordement de l'armoire au compresseur

14. MISE EN SERVICE

- Assurez-vous de retirer les stabilisateurs de transport.
- Vérifiez que tous les raccords de tuyau d'air comprimé sont corrects (voir Chap. 12).
- Vérifiez que le raccordement au secteur est correct (voir Chap. 13).
- Vérifiez la position du disjoncteur, il doit être en position « I ». Si le commutateur principal (2) est en position « 0 », mettez-le en position « I » (Fig. 14).
- Pour les compresseurs montés en armoire, faites tourner le commutateur (4) situé sur la face

avant de l'armoire en position « I » ; un voyant vert indique que l'équipement est en marche (Fig. 14).

- Vérifiez que l'armoire est raccordée au compresseur (Fig. 13).
- Vérifiez que le tuyau du manomètre de l'armoire est raccordé au bloc pneumatique du compresseur (Fig. 9).
- Vérifiez que le tuyau du dispositif automatique de purge de condensat est bien raccordé à la cuve de collecte (Fig. 10).

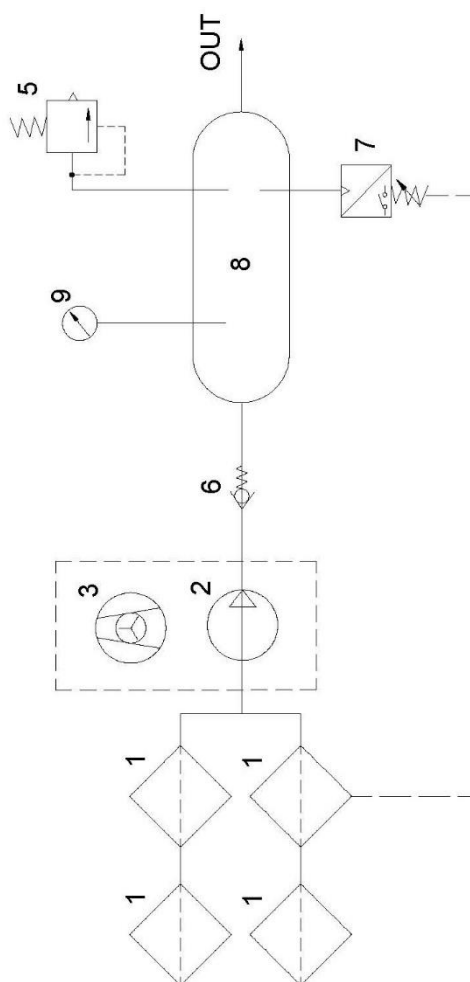


Le compresseur n'est pas doté d'une alimentation électrique de secours.

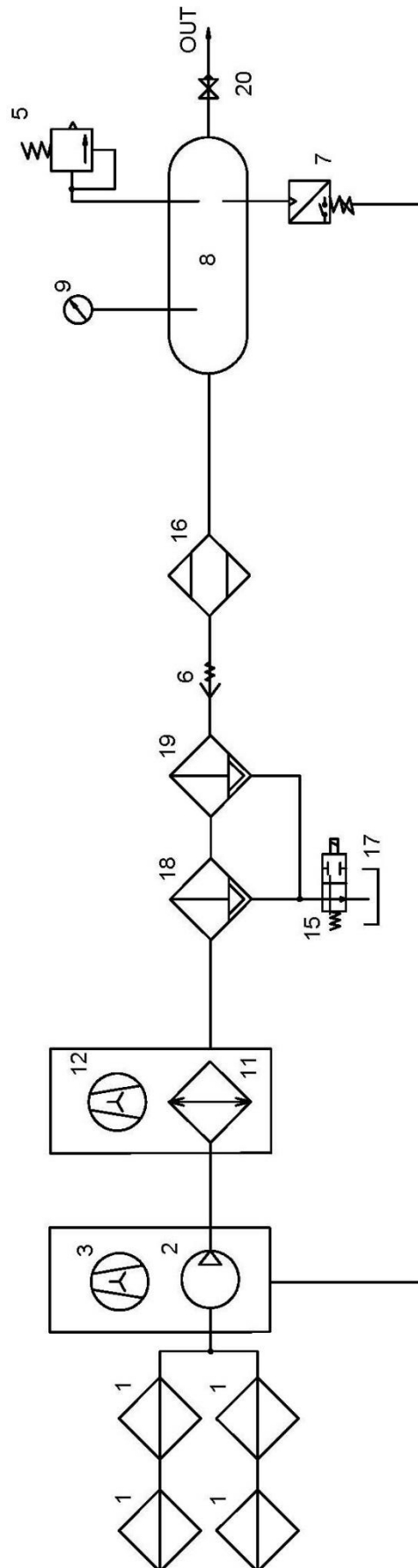
15. SCHÉMAS PNEUMATIQUES ET ÉLECTRIQUES

15.1. Schéma pneumatique

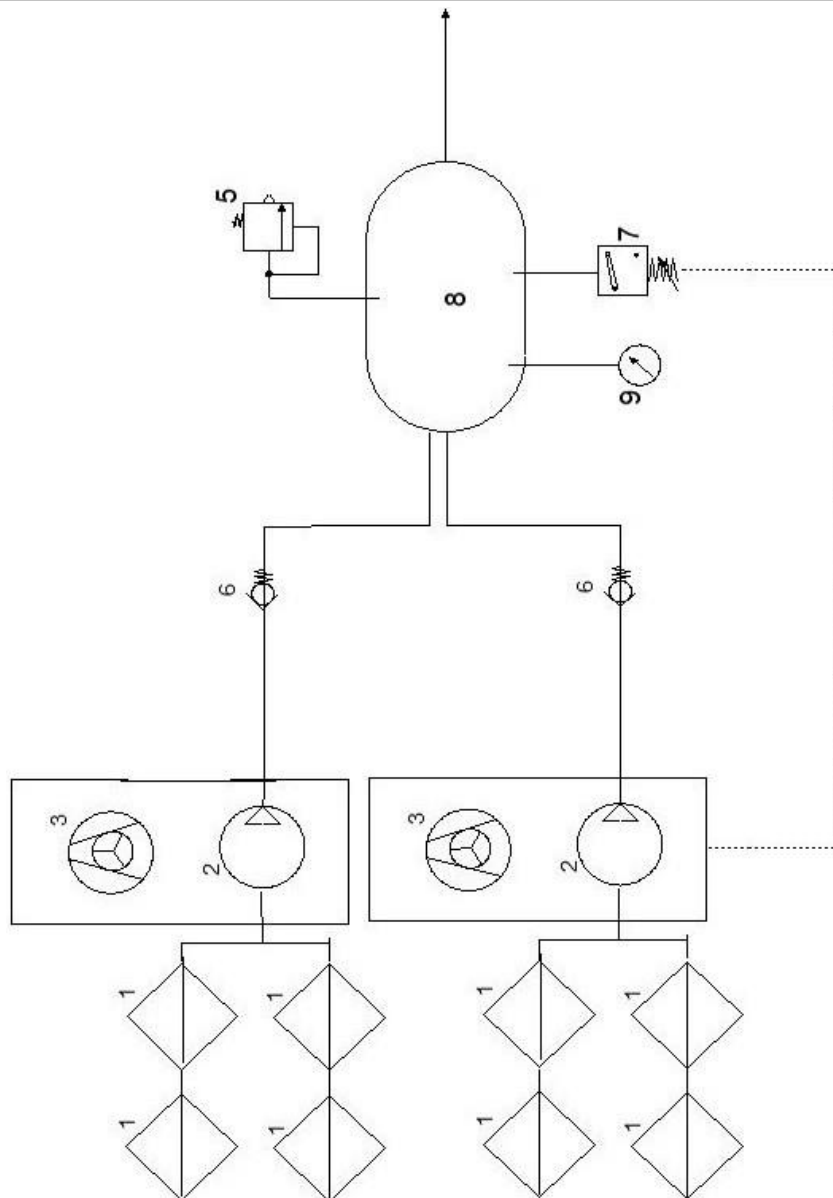
DK50 4VR/50



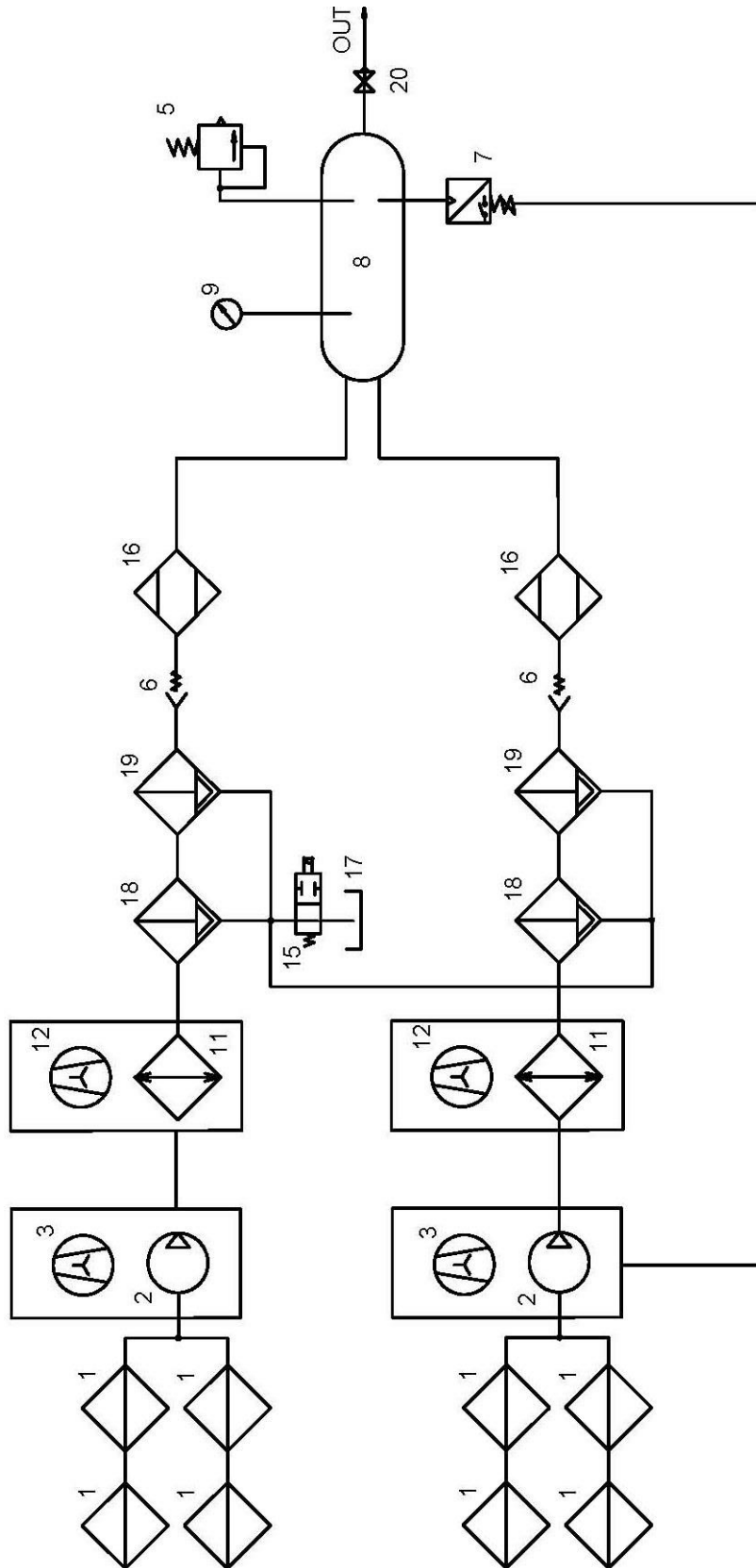
DK50 4VR/50/M



DK50 2x4VR/110



DK50 2x4VR/110/M



Description du schéma pneumatique:

- | | |
|----------------------|---------------------------------------|
| 1 Filtre d'entrée | 11 Refroidisseur |
| 2 Compresseur | 12 Ventilateur de refroidissement |
| 3 Ventilateur | 13 - |
| 4 - | 14 - |
| 5 Soupape de sûreté | 15 Électrovanne de purge du condensat |
| 6 Clapet anti-retour | 16 Sécheur à membrane |
| 7 Pressostat | 17 Cuve de collecte de condensat |
| 8 Réservoir d'air | 18 Filtre |
| 9 Manomètre | 19 Microfiltre |
| 10 - | |

15.2. Schémas électriques

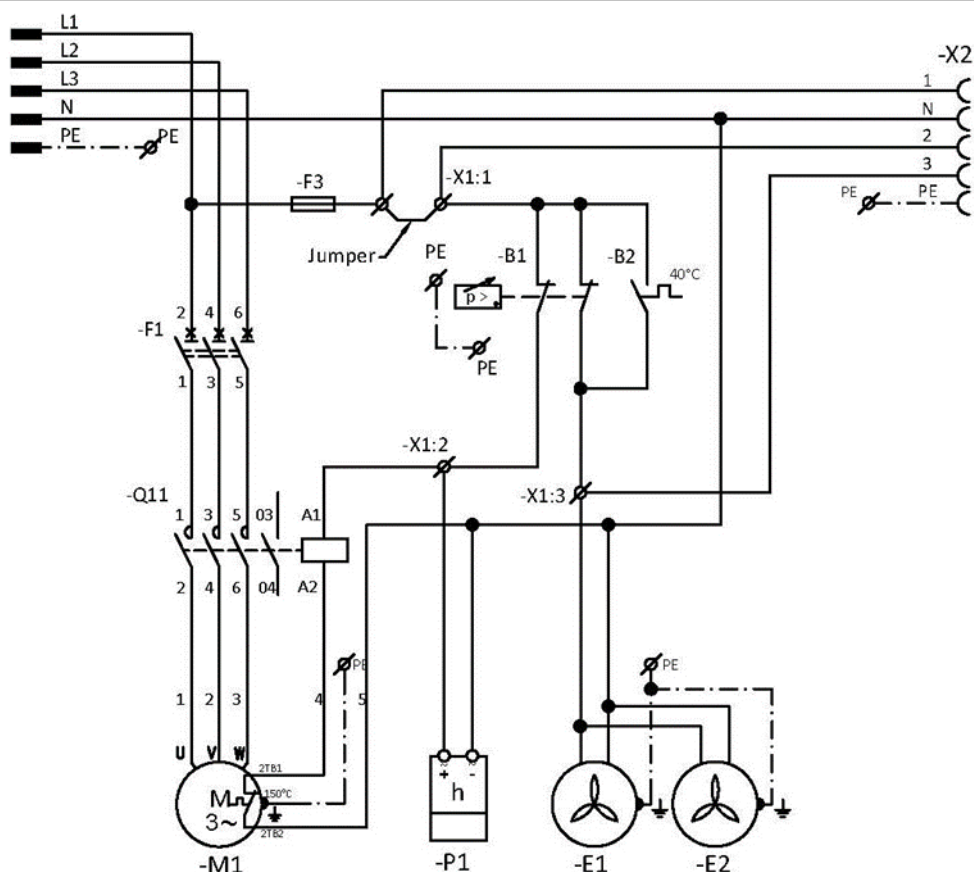
DK50 4VR/50

6 - 8 bar, 8 - 10 bar

3/N/PE~400V, 50Hz

RÉSEAU ÉLECTRIQUE TN-S [TN-C-S]

OBJET ÉLECTRIQUE de 1ère CATÉGORIE

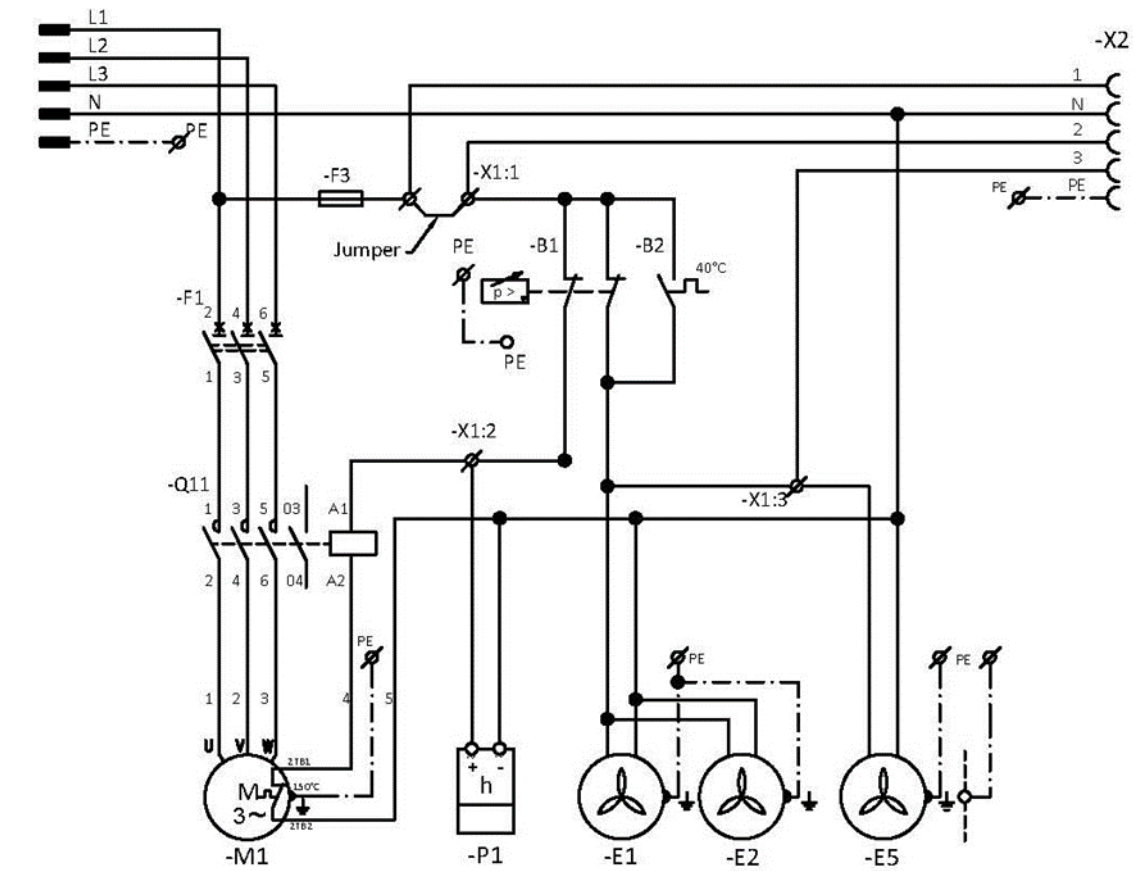


DK50 4VR/50/M**6 - 8 bar, 8 - 10 bar**

3/N/PE-400V, 50Hz

RÉSEAU ÉLECTRIQUE TN-S [TN-C-S]

OBJET ÉLECTRIQUE de 1ère CATÉGORIE



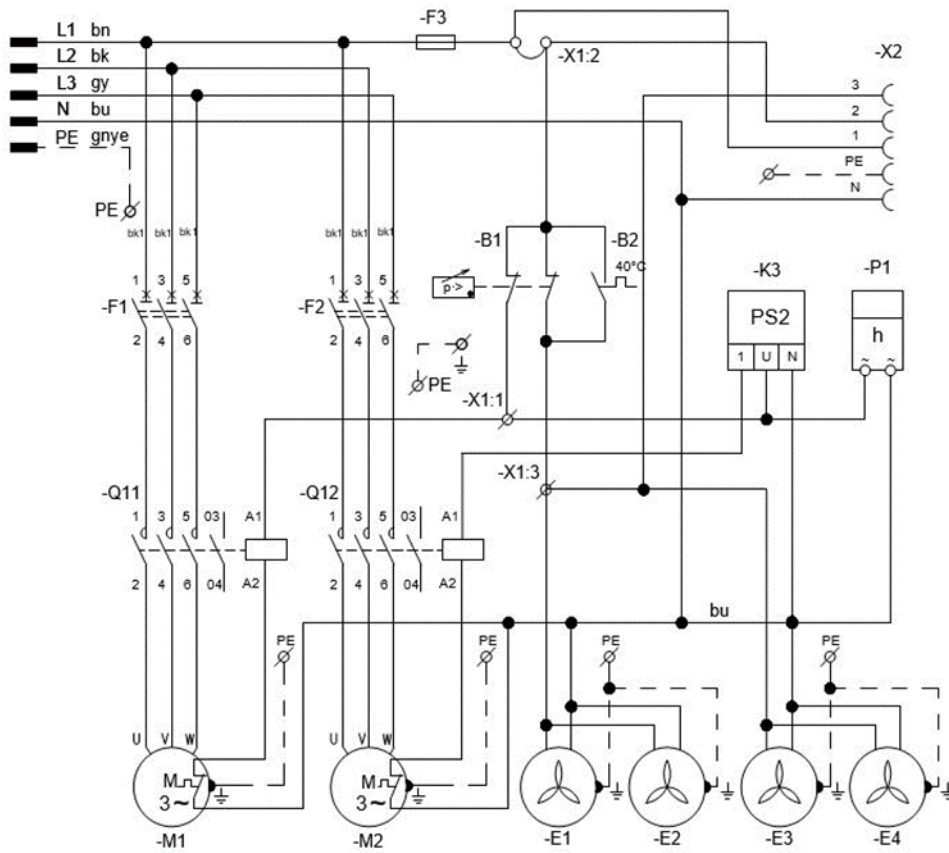
DK50 2x4VR/110

6 - 8 bar, 8 - 10 bar

3/N/PE~400V, 50Hz

RÉSEAU ÉLECTRIQUE TN-S [TN-C-S]

OBJET ÉLECTRIQUE de 1ère CATÉGORIE

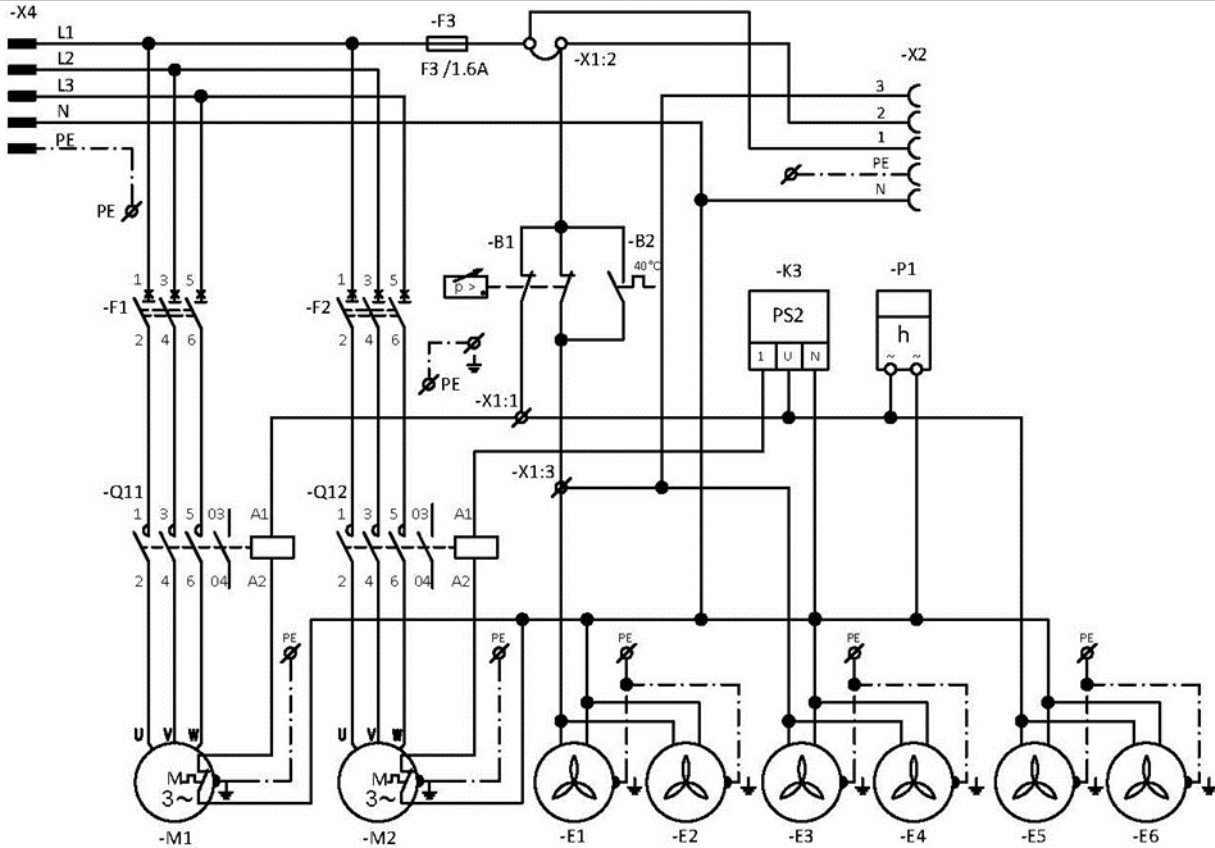


DK50 2x4VR/110/M**6 - 8 bar, 8 - 10 bar**

3/N/PE~400V, 50Hz

RÉSEAU ÉLECTRIQUE TN-S [TN-C-S]

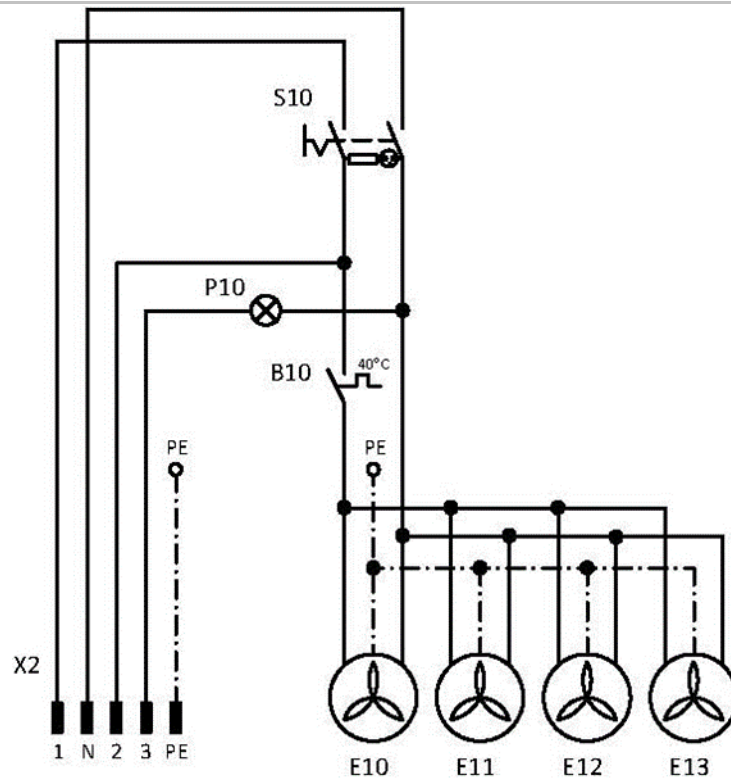
OBJET ÉLECTRIQUE de 1ère CATÉGORIE



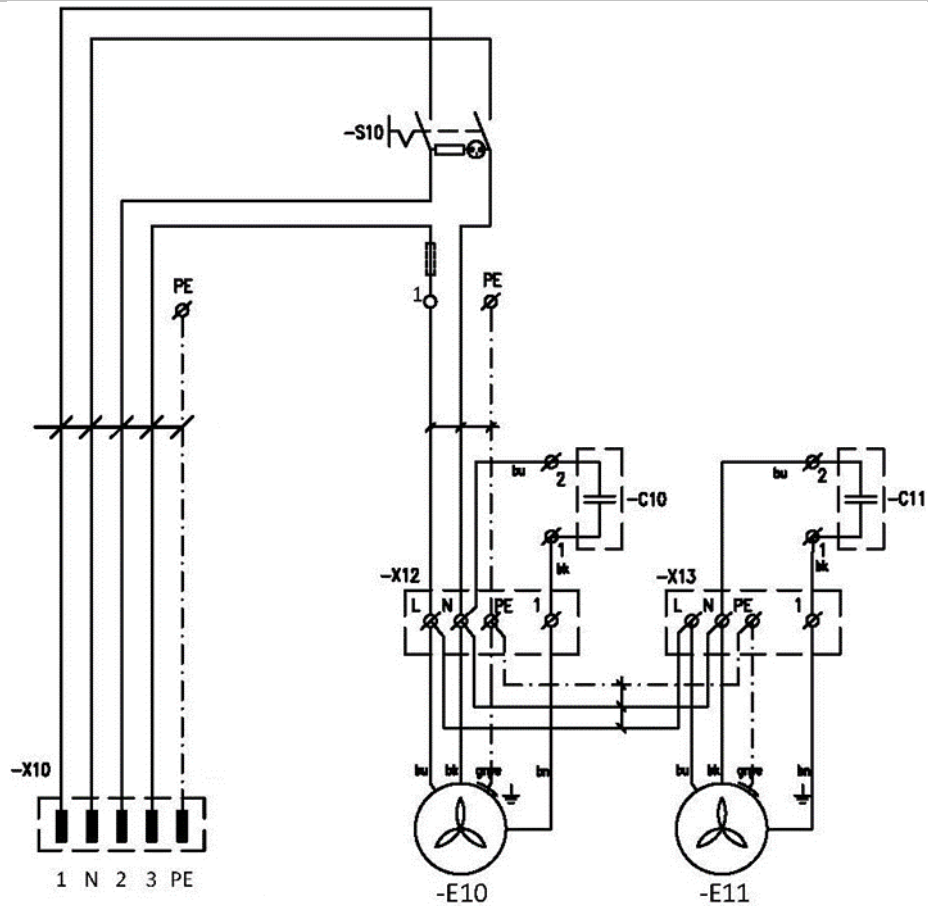
Armoire du compresseur

1/N/PE ~ 230V 50/60Hz

OBJET ÉLECTRIQUE de 1ère CATÉGORIE



DK50 4VR/50



DK50 2x4VR/110

Description du schéma électrique:

M1, M2	Moteur du compresseur	X1	Boîte à bornes
E1 – E4	Ventilateur du compresseur	X2	Raccord
F3	Fusible	M11, M12	Électrovanne
F1, F2	Disjoncteur	E5 – E8	Ventilateur du sécheur
K3	Bloc de retardement du moteur	S10	Commutateur
B1	Pressostat	E10-13	Ventilateur de l'armoire
B2	Commutateur de température	X10, X11	Raccord
Q11,12	Contacteur	P10	Led-service pour NDM
P1	Compteur d'heures	B10	Commutateur de température de l'armoire

FONCTIONNEMENT

SEUL UN PERSONNEL FORMÉ EST AUTORISÉ À FAIRE FONCTIONNER L'ÉQUIPEMENT !



Risque d'électrocution.

En cas d'urgence, débranchez le compresseur du secteur (retirez la prise secteur).



Risque de brûlure ou d'incendie.

Certaines parties de l'agrégat et d'air peuvent chauffer et atteindre des températures dangereuses lors de l'utilisation du compresseur, ce qui peut nuire aux matériaux ou au personnel.



Attention – Le compresseur est contrôlé automatiquement.

Démarrage automatique : lorsque la pression dans le réservoir baisse et s'approche de la limite inférieure du pressostat, le compresseur se met automatiquement en marche. Le compresseur s'arrête automatiquement lorsque la pression dans le réservoir d'air atteint le niveau de pression d'arrêt.



Risque d'endommagement des composants pneumatiques.

Les réglages de la pression de travail du pressostat effectués par le fabricant ne peuvent pas être modifiés. Le fonctionnement du compresseur à une pression de travail inférieure à la pression de commutation indique une forte consommation d'air (voir chapitre Dépannage)



Pour obtenir des performances de séchage optimales, vous devez absolument respecter les conditions d'utilisation indiquées.

Lorsque le sécheur fonctionne à une pression inférieure à la pression de travail minimum, les performances de séchage et le point de rosée atteints diminuent.



En cas d'utilisation prolongée du compresseur, la température ambiante du boîtier peut dépasser 40 °C. À ce stade, le ventilateur de refroidissement s'allume automatiquement. Le ventilateur s'arrête une fois que l'espace est refroidi à environ 32 °C.

16. ALLUMAGE DU COMPRESSEUR

Démarrez le compresseur (sans armoire) au niveau du pressostat (1) en plaçant le sélecteur (2) sur la position « I ». Le compresseur démarre et remplit le réservoir jusqu'à la pression d'arrêt, ce qui arrête ensuite le compresseur.

Démarrez le compresseur (avec armoire) au niveau du commutateur (4) situé à l'avant de l'armoire ; le voyant s'allume en vert. Cette opération démarre le compresseur et remplit le réservoir jusqu'à la pression d'arrêt, ce qui arrête ensuite le compresseur.

Le compresseur fonctionne en mode automatique et le pressostat commande sa mise en marche et son arrêt en fonction de la consommation d'air comprimé.

Vérifiez les valeurs de la pression de mise en marche et d'arrêt à l'aide du manomètre (3). Une tolérance de $\pm 10\%$ est acceptable. La pression du réservoir d'air ne doit pas dépasser la pression de fonctionnement autorisée.

Fig. 14: Commutation du compresseur



Risque d'endommagement des pièces pneumatiques.

Le pressostat (1) a été réglé par le fabricant et tout autre réglage ne peut être effectué que par un technicien qualifié et formé par le fabricant.

17. ARRÊT DU COMPRESSEUR

- pressostat (1) en tournant le commutateur (2) à la position « 0 » (Fig. 14) et **en débranchant la fiche secteur de la prise**. Cette opération permet de mettre le compresseur hors tension.
- Purgez à zéro la pression dans le réservoir d'air en ouvrant la soupape de vidange.

MAINTENANCE DE L'APPAREIL**18. MAINTENANCE DE L'APPAREIL**

L'opérateur doit régulièrement effectuer des vérifications de l'appareil dans les intervalles définis par la réglementation applicable. Les résultats des tests doivent être enregistrés.

L'appareil a été conçu et fabriqué de manière à réduire au minimum les travaux d'entretien. Vous devez effectuer les tâches suivantes pour préserver le fonctionnement correct et fiable du compresseur.



Risque d'interférence non autorisée.

Les travaux de réparation en dehors du cadre de la maintenance standard (voir chapitre 18.1) ne peuvent être effectués que par un technicien qualifié (une entité autorisée par le fabricant) ou par le service client du fabricant.

Les travaux d'entretien standard (voir chapitre 18.1) ne peuvent être effectués que par le personnel qualifié de l'opérateur.

Utilisez uniquement des pièces et accessoires de rechange approuvés par le fabricant.



Risque de blessures ou de dommages matériels.

Avant de commencer l'entretien du compresseur, il est nécessaire de :

- vérifier s'il est possible de débrancher le compresseur de l'appareil afin d'éviter tout risque de blessures corporelles lors de l'utilisation de l'appareil ou tout autre dommage matériel ;
- éteindre le compresseur ;
- le débrancher du secteur (en tirant le cordon de la prise de courant) ;
- purger l'air comprimé du réservoir d'air.



La purge de l'air comprimé présente un risque de blessures.

Portez des protections oculaires (lunettes de protection) lorsque vous purgez l'air comprimé du circuit d'air comprimé (réservoir d'air) et de la chambre de séchage.



Risque de brûlure.

Les composants (tête, cylindre, tuyau de pression, etc.) sont très chauds pendant et peu après le fonctionnement du compresseur - évitez de les toucher!



Si vous déconnectez le conducteur de mise à la terre pendant l'entretien, reconnectez-le dans sa position initiale une fois l'entretien terminé.

- Pour tout travail d'entretien ou de réparation, retirez le compresseur de l'armoire par un mouvement de traction (sur des roulettes autant que le permet la longueur du câble entre le compresseur et l'armoire). (Voir chap. 18) La maintenance requise ou le travail de réparation peuvent être effectués.
- Si le cordon entre le compresseur et l'armoire est débranché (en tirant sur la prise secteur, voir chap. 13.2.), alors le compresseur ne fonctionne pas. Pour remettre le compresseur en marche, veuillez vous référer aux chapitres 13.2, 18.10 ou 18.11.

18.1. Intervalles de maintenance

Intervalle de temps	50 Hz	Une fois par jour	Une fois par semaine	Une fois par an	Une fois tous les 2 ans	2000 h	4000 h	6000 h	8000 h	10000 h	12000 h	20000 h	Chap.	Nomenclature des pièces de rechange	Effectué par	
															l'opérateur	le technicien qualifié
Vérification du fonctionnement de l'appareil		x											18.2	-		
Vidange du condensat du réservoir d'air – à un niveau d'humidité élevé		x											18.5	-		
Vidange du condensat du réservoir d'air - au niveau d'humidité normal			x										18.5	-		
Vérification des fonctions de l'appareil			x										9	-		
Vérification des fuites au niveau des raccords pneumatiques et inspection de l'appareil				x									18.3	-		
Inspection des branchements électriques				x									18.4	-		
Vérification du refroidisseur et du ventilateur				x									18.9	-		
Contrôle de la soupape de sécurité				x									18.6	-		
Výmena vstupného filtra a predfiltra agregátu 4VR ^{a)}					x			x					18.7	025200139-000 025200150-000		

^{a)} les données sont présentées en heures ; si elles ne sont pas disponibles, elles sont présentées en années

^{b)} vérifiez le fonctionnement de la soupape de décharge du sécheur après chaque dysfonctionnement du sécheur

^{c)} Selon la première éventualité : 4 ans/8000 heures

^{d)} Selon la première éventualité 8 ans/ 20000 heures

Intervalle de temps	50 Hz	Une fois par jour	Une fois par semaine	Une fois par an	Une fois tous les 2 ans	8000 h	10000 h	12000 h	16000 h	20000 h	24000 h	Chap.	Nomenclature des pièces de rechange	Effectué par
Réalisation des « tests répétés » conformément à la norme EN 62353					x							18	-	
Remplacement de l'élément filtrant du filtre du sécheur				x								18.8	025200305-000	

- a) es données sont présentées en heures ; si elles ne sont pas disponibles, elles sont présentées en années
- b) vérifiez le fonctionnement de la soupape de décharge du sécheur après chaque dysfonctionnement du sécheur
- c) Selon la première éventualité : 4 ans/8000 heures
- d) Selon la première éventualité: 8 ans/ 20000 heures

18.2. Vérification du fonctionnement de l'appareil

- Contrôle de l'état de l'agrégat – les agrégats doivent fonctionner normalement sans vibrations ou bruits excessifs. Réglez tout problème ou contactez le personnel d'entretien si vous détectez un problème.
- Contrôle visuel du fonctionnement du ventilateur – assurez-vous que les ventilateurs sont en marche lors du fonctionnement des agrégats. Réglez tout problème ou contactez le personnel d'entretien si vous détectez un problème.
- Vérifiez que le câble d'alimentation et les tuyaux de raccordement d'air comprimé ne sont pas endommagés. Remplacez les composants endommagés ou contactez le personnel d'entretien.
- Contrôle de la température ambiante – la température ambiante doit être inférieure à la limite de température (40 °C). Refroidissez l'espace si la température est élevée.
- Compresseur avec sécheur d'air - ouvrez le bouchon de la cuve de collecte de condensats et vidangez le condensat.
- Vérifiez l'état de fonctionnement de l'équipement (voir chapitre 18.4).

18.3. Vérifiez l'étanchéité des raccords d'air comprimé et inspectez l'équipement

Test d'étanchéité

- Vérifiez les fuites d'air comprimé dans les conduites d'air pendant le fonctionnement – la pression fournie par le compresseur.
- Utilisez un analyseur de fuite ou de l'eau savonneuse pour vérifier la présence de fuites sur tous les joints et raccords. Resserrez ou refermez les branchements où des fuites sont présentes.

Inspection de l'équipement :

- Vérifiez l'état de fonctionnement normal et les niveaux sonores de l'agrégat du compresseur.
- Vérification du fonctionnement du ventilateur – les ventilateurs doivent fonctionner pendant les cycles de travail définis du compresseur.
- Vérification de la fonction du commutateur de température (B2) – chauffez le commutateur de température à une température supérieure à 40 °C (par exemple : à l'aide d'un pistolet thermique – Attention, évitez de l'utiliser sur des composants en plastique qui se trouvent à proximité, car il pourrait entraîner la déformation des matières plastiques). Ventilateur E1, E3 - le compresseur doit être sous tension.
- Vérification de l'état des filtres – les filtres doivent être intacts et suffisamment propres.
- Vérifiez l'état de la pompe et assurez-vous qu'aucune saleté ne se trouve à l'intérieur du carter ou qu'aucun jeu du vilebrequin ne se produit.
- Remplacez toute pièce défectueuse en cas de défaillance.
- Remplacez les pièces défectueuses au besoin.
- Vérifiez les conditions d'utilisation de l'équipement (voir chapitre 18.4).

18.4. Inspection des branchements électriques



Risque d'électrocution.

Inspectez les connexions électriques de l'appareil lorsqu'il est débranché du secteur.

- Vérifiez la fonction mécanique du commutateur principal.
- Vérifiez que le câble d'alimentation et les conducteurs ne sont pas endommagés.

- Vérifiez visuellement si les câbles sont connectés à la boîte à bornes.
- Vérifiez tous les raccords vissés du conducteur de protection PE mis à la terre vert-jaune.

18.5. Purge de condensat

Compresseurs

Il est recommandé d'évacuer le condensat du récipient sous pression lors du fonctionnement régulier. Débranchez le compresseur du secteur. Ramenez la pression d'air de l'appareil jusqu'à 1 bar en laissant s'échapper l'air à travers un dispositif couplé. Installez le tuyau issu de l'emballage dans la soupape de vidange. Placez la cuve sous le tuyau et libérez le condensat du réservoir en ouvrant la soupape de décharge (1).

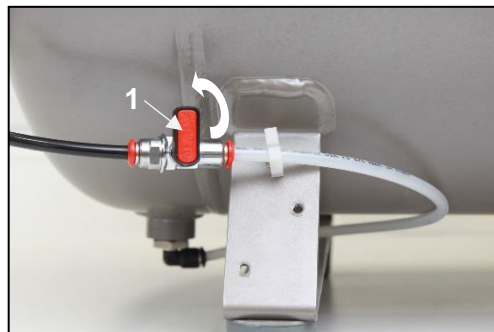


Fig. 15: Purge de condensat



Ouvrez délicatement et lentement la soupape de vidange. Si la soupape de vidange est excessivement ouverte, cela entraîne un niveau de bruit élevé et un jet incontrôlé du condensat accumulé.



Un sol humide résultant d'un débordement du navire présente un risque de glissade.

Les compresseurs non dotés d'un sécheur peuvent être équipés du dispositif de vidange automatique du condensat pour permettre au condensat de s'écouler sans intervention de l'opérateur

Compresseurs avec sécheur d'air

Le condensat des compresseurs avec sécheur d'air est automatiquement évacué dans une cuve de collecte de condensat de collecte.



Fig. 16: Vérification de la cuve de collecte de condensats



Surveillez le niveau de la cuve à l'aide des marques de 1 ou 2 litres (en fonction du volume de la cuve), et videz-la au moins une fois par jour. La cuve peut déborder si le condensat n'est pas évacué hors du récipient à l'intervalle défini.



Avant les vérifications suivantes, il est nécessaire :

- Pour les modèles de compresseur avec armoire, tirez le verrou de la porte et ouvrez la porte de l'armoire.

18.6. Contrôle de la soupape de sécurité

- Tournez la vis (2) de la soupape de sûreté (1) plusieurs fois à gauche jusqu'à ce que de l'air s'échappe de la soupape de sûreté.
- Laissez l'air s'échapper pendant un court instant.
- Tournez la vis (2) jusqu'à butée vers la droite, puis fermez la vanne.



Fig. 17: Contrôle de la soupape de sécurité



L'endommagement de la soupape de sûreté pourrait faire monter la pression à des niveaux dangereux.

La soupape de sûreté ne doit pas être utilisée pour évacuer la pression du réservoir d'air. Le fonctionnement de la soupape de sécurité pourrait s'en trouver compromis. La vanne est réglée à la pression maximale autorisée par le fabricant.

Ne réglez jamais une soupape de sûreté.



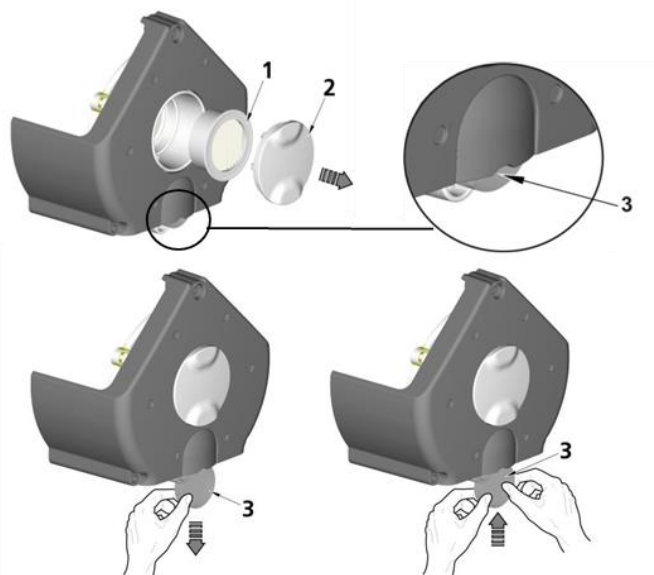
La purge de l'air comprimé présente un risque de blessures.

Portez des lunettes de sécurité lors de l'inspection d'une soupape de sécurité.

18.7. Remplacement du filtre d'entrée

Remplacement du filtre d'entrée :

- Tirez le bouchon en caoutchouc (2) avec la main.
- Retirez le filtre d'aspiration encrassé (1).
- Insérez un nouveau filtre et refermez le bouchon en caoutchouc.



Remplacement du préfiltre :

- Tirez le préfiltre (3) avec la main.
- Remplacez-le par un nouveau et réinsérez-le.

Fig. 18: Remplacement du filtre d'entrée

18.8. Remplacement de l'élément filtrant

- Retirez le tuyau (1) du raccord rapide.
- À l'aide d'une clé (2), desserrez le corps de filtre (3) et retirez-le.

- Tirez l'élément filtrant (4) vers le bas pour le retirer.
- Insérez un nouvel élément filtrant.
- Réinstallez le corps de filtre.
- Serrez doucement le corps de filtre à l'aide d'une clé.
- Réinstallez le tuyau sur le raccord rapide.



Fig. 19: Remplacement de l'élément filtrant

18.9. Inspection du refroidisseur et du ventilateur

Les composants, notamment le ventilateur du compresseur, le ventilateur du refroidisseur et le refroidisseur, doivent être maintenus propres pour un séchage efficace. Retirez la poussière de la surface des ailettes de refroidissement et des ventilateurs en aspirant ou en soufflant l'air comprimé.

18.10. Procédure de raccordement d'un compresseur déconnecté de l'armoire



Avant toute opération de maintenance ou de réparation, éteignez le compresseur et débranchez-le.

Pour bien fonctionner, le compresseur (sans armoire) exige que le cavalier soit toujours monté dans la barrette de fixation (Fig. 20 pos. C,D, Fig. 21 pos. D). Il remplace ensuite le commutateur sur l'armoire.



Si aucun cavalier n'est monté dans la barrette de fixation du compresseur (déconnecté de l'armoire), le compresseur ne fonctionne pas !

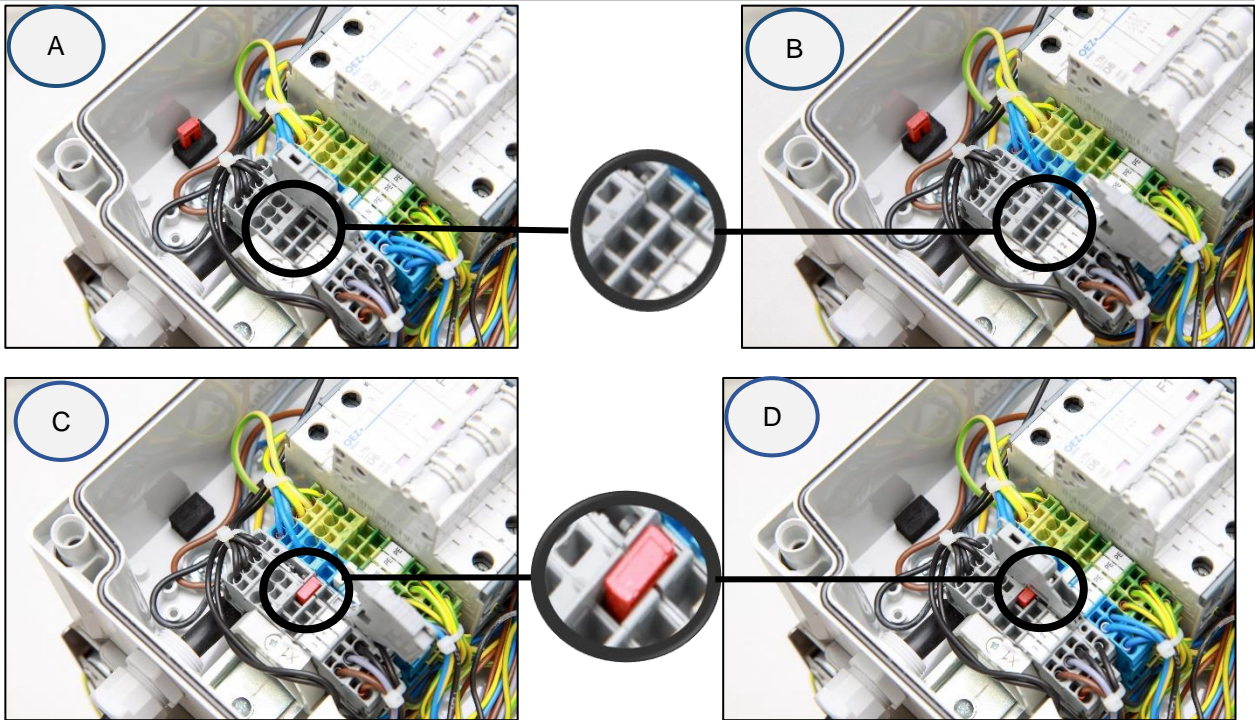
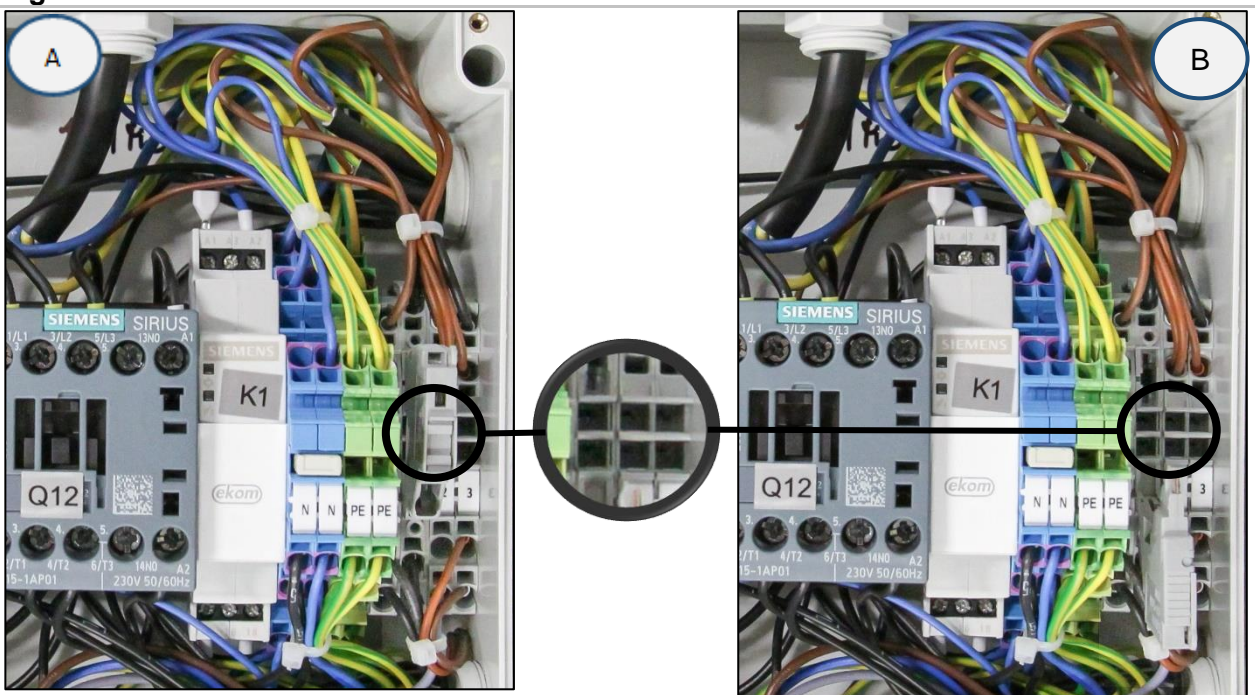
Si le cordon entre le compresseur et l'armoire est débranché (en tirant sur la prise secteur) et que le compresseur est retiré de l'armoire, ce dernier ne fonctionnera pas. C'est pourquoi il est nécessaire d'établir un raccordement à la barrette de fixation au moyen d'un cavalier (jouant le rôle de disjoncteur). (Fig. 20 pos. A,B, Fig. 21 pos. A)

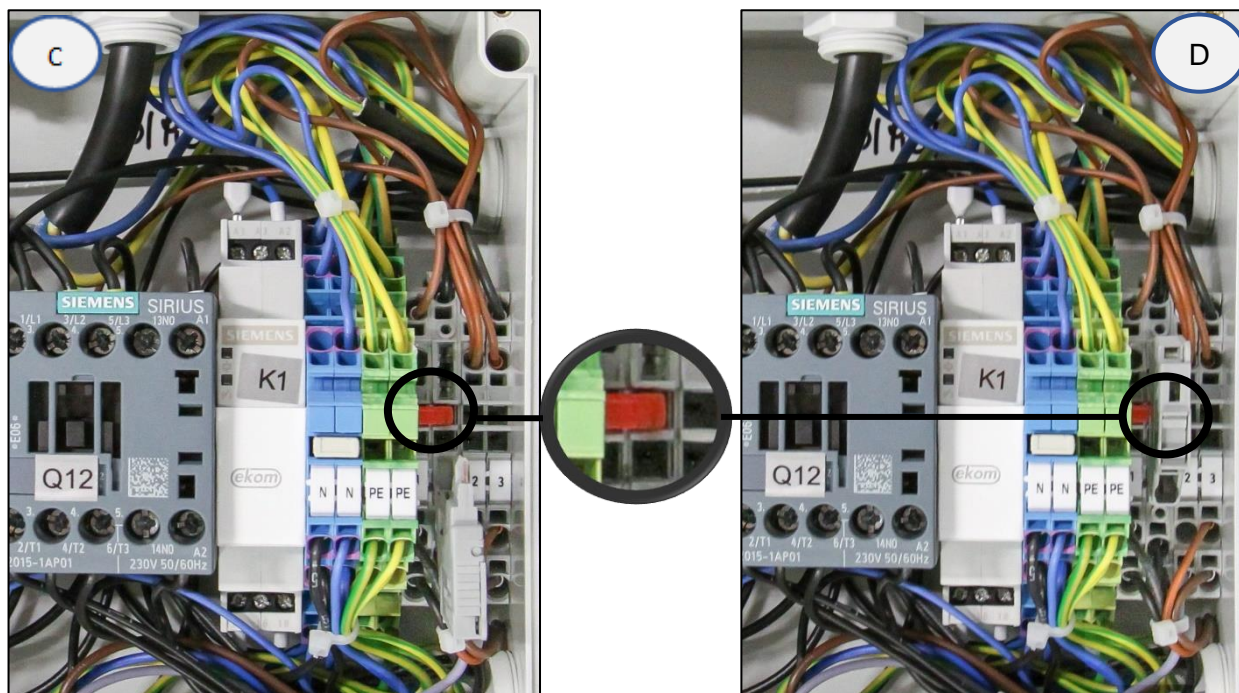
PROCÉDURE :

Installation du cavalier (procédure A-B-C-D)

- Débranchez l'appareil du secteur en retirant la fiche de la prise.
- Retirez le capot du panneau électrique (du compresseur).
- Le cavalier n'est pas dans la barrette de raccordement - A.
- Soulevez le couvercle du fusible - B.
- Insérez le cavalier dans la barrette de raccordement - C.
- Refermez le couvercle du fusible - D.
- Remettez en place le capot du panneau électrique.

- Raccordez l'appareil au réseau électrique.
- Activez le compresseur en actionnant le pressostat.

Fig. 20: DK50 4VR/50**400V****Fig. 21: DK50 2x4VR/110**



400 V

18.11. Procédure de raccordement d'un compresseur à la nouvelle armoire



Avant toute opération de maintenance ou de réparation, éteignez le compresseur et débranchez-le.

Lorsque le compresseur est dans l'armoire, il n'est pas nécessaire, pour qu'il fonctionne normalement, de monter le cavalier dans la barrette de raccordement (Fig. 20 pos. A,B, Fig. 21 pos. A). Le commutateur de l'armoire permet d'actionner ou d'arrêter complètement le produit, y compris le compresseur.



Si un cavalier est monté dans la barrette de raccordement du compresseur connecté à une armoire, le commutateur de l'armoire du compresseur ne fonctionne pas !

Si vous souhaitez raccorder une nouvelle armoire à un compresseur jusque-là utilisé seul (sans armoire), il est nécessaire de supprimer le raccordement de la barrette de fixation du compresseur en suivant la procédure ci-après. (Fig. 20, Fig. 21) (Voir également chapitres 13.1 et 13.2).

PROCÉDURE :

Retrait du cavalier (procédure D-C-B-A)

- Débranchez l'appareil du secteur en retirant la fiche de la prise.
- Retirez le capot du panneau électrique (du compresseur).
- Le cavalier se trouve dans la barrette de raccordement - D
- Soulevez le couvercle du fusible - C
- Retirez le cavalier de la barrette de raccordement - B
- Refermez le couvercle du fusible - A
- Remettez en place le capot du panneau électrique.

- Insérez le compresseur dans le boîtier.
- Raccordez l'armoire au compresseur en insérant le cordon d'alimentation avec la fiche dans la prise secteur. (Fig. 13)
- Raccordez l'appareil au réseau électrique
- Activez le compresseur en actionnant le pressostat et le commutateur (4) de l'armoire (Fig. 14)

Compresseur avec armoire - en cas d'utilisation d'un compresseur avec armoire, **aucun** branchement électrique ne doit être effectué. (Fig. 20 pos. A,B, Fig. 21 pos. A)

Remarque : **Dans le cas où vous utilisez un compresseur sans armoire ou dans le cas d'une opération de maintenance, un cavalier non installé sur la barrette de raccordement doit être conservé** à un endroit prévu à cet effet, à côté du panneau électrique.

18.12. Nettoyage et désinfection des surfaces extérieures de l'appareil

Nettoyez et désinfectez les surfaces extérieures avec des produits de nettoyage neutres.



L'utilisation de détergents et de désinfectants agressifs contenant de l'alcool et des chlorures peut entraîner des dommages et une décoloration des surfaces.

19. ARRÊT PROLONGÉ

Si le compresseur n'est pas utilisé pendant une longue période, il est recommandé de vider tout le condensat du réservoir d'air et de mettre le compresseur en marche pendant environ 10 minutes, en gardant la soupape de vidange ouverte. Ensuite, arrêtez le compresseur à l'aide du commutateur (2) du pressostat (1) (Fig. 14), puis fermez la soupape de vidange et débranchez l'appareil du secteur.

20. MISE AU REBUT DE L'APPAREIL

- Débranchez l'équipement du secteur.
- Évacuez la pression d'air du réservoir en ouvrant la soupape de vidange.
- Mettez l'appareil au rebut conformément à l'ensemble des réglementations en vigueur.
- Confiez le tri et l'élimination des déchets à une entreprise spécialisée.
- Les composants usés n'ont aucun impact négatif sur l'environnement.

DÉPANNAGE**Risque d'électrocution.****Avant d'intervenir sur l'appareil, débranchez-le au préalable du secteur (retirez la prise de courant).****La manipulation des composants pneumatiques sous pression présente un risque de blessure.****Avant d'intervenir sur l'équipement, purgez totalement le réservoir d'air et le système d'air comprimé.****Le dépannage peut uniquement être effectué par des techniciens qualifiés.****L'endommagement de la soupape de sûreté pourrait faire monter la pression à des niveaux dangereux.****Ne réglez jamais une soupape de sûreté.**

Dysfonctionnements	Cause possible	Solution
Le compresseur ne se met pas en marche	Pas de tension dans le pressostat	Vérifiez la tension de la prise
		Vérifiez le fusible – remplacez le fusible défectueux
		Le conducteur de la borne est desserré – réparez-le
		Vérifiez le cordon électrique - remplacez le cordon défectueux
	Défaillance de l'enroulement du moteur, protection thermique endommagée	Remplacez le moteur ou les enroulements
Le commutateur de l'armoire n'arrête pas le compresseur	Défaillance du condensateur	Remplacez le condensateur
	Piston ou autres parties rotatives grippés	Remplacez les composants endommagés
	Le pressostat ne fonctionne pas	Vérifiez le fonctionnement du pressostat
Le compresseur est régulièrement activé	Dans l'armoire se trouve un compresseur qui a précédemment été utilisé seul (un cavalier est inséré dans la barrette de fixation).	Retirez le cavalier de la barrette de fixation, voir chap. 18.11
	Fuite d'air dans le système pneumatique	Vérifiez le système pneumatique – scellez les raccords mal fixés
	Fuite du clapet anti-retour (SV)	Nettoyez le clapet anti-retour, remplacez les joints d'étanchéité, remplacez le clapet anti-retour
Utilisation prolongée	Grand volume de liquide condensé dans le réservoir sous pression	Vidangez le liquide condensé
	Fuite d'air dans le système	Vérifiez le système pneumatique –

du compresseur	pneumatique	scellez les raccords mal fixés
	Bague de piston usée	Remplacez les bagues de piston usées
	Filtre d'entrée et préfiltre contaminés	Remplacez le filtre encrassé par un filtre neuf
	Dysfonctionnement de l'électrovanne	Réparez ou remplacez le ventilateur ou la bobine
Compresseur bruyant (cognements, bruits de métal)	Roulement de piston, tiges de piston, roulement moteur endommagés	Remplacez le roulement endommagé
	Élément d'amortissement (ressort) desserré (fissuré)	Remplacez le ressort endommagé
Le sécheur ne sèche plus (eau condensée dans le réservoir) *	Le ventilateur de refroidissement ne fonctionne pas	Remplacez-le Vérifiez la source d'alimentation
	Sécheur endommagé	Remplacez le sécheur
	Le dispositif de purge automatique de condensat ne fonctionne pas	Nettoyez/remplacez

)* Nettoyez soigneusement les surfaces intérieures du réservoir d'air et retirez tout le liquide condensé après la panne du sécheur.



Vérifiez la teneur en humidité de l'air sortant du réservoir d'air (voir le chapitre Données techniques) pour éviter d'endommager l'équipement connecté en aval.

21. SERVICE DE REPARATION

Toutes les réparations, sous garantie ou après l'expiration de celle-ci, doivent être effectuées par le fabricant, son représentant agréé ou par le personnel d'entretien agréé par le fournisseur.

Attention.

Le fabricant se réserve le droit d'apporter des modifications à l'appareil sans préavis. Les modifications apportées n'affecteront en aucun cas les propriétés fonctionnelles de l'équipement.

ОГЛАВЛЕНИЕ

ВАЖНЫЕ СВЕДЕНИЯ	166
1. СООТВЕТСТВИЕ ТРЕБОВАНИЯМ ДИРЕКТИВ ЕВРОПЕЙСКОГО СОЮЗА	166
2. НАЗНАЧЕНИЕ.....	166
3. ПРОТИВОПОКАЗАНИЯ И ПОБОЧНЫЕ ЭФФЕКТЫ.....	166
4. ПРЕДУПРЕЖДЕНИЯ И СИМВОЛЫ	166
5. ПРЕДУПРЕЖДЕНИЯ	167
6. ХРАНЕНИЕ И ТРАНСПОРТИРОВКА.....	169
ОПИСАНИЕ ИЗДЕЛИЯ	170
7. ВАРИАНТЫ ИСПОЛНЕНИЯ.....	170
8. ПРИНАДЛЕЖНОСТИ.....	171
9. ПРИНЦИП ДЕЙСТВИЯ ИЗДЕЛИЯ.....	172
ТЕХНИЧЕСКИЕ ХАРАКТЕРИСТИКИ	179
УСТАНОВКА.....	187
10. УСЛОВИЯ ПРИ УСТАНОВКЕ.....	187
11. КОМПРЕССОРНАЯ УСТАНОВКА.....	187
12. ПНЕВМАТИЧЕСКИЕ СОЕДИНЕНИЯ.....	192
13. ЭЛЕКТРИЧЕСКИЕ СОЕДИНЕНИЯ	194
14. ПЕРВЫЙ ЗАПУСК УСТРОЙСТВА.....	195
15. ПНЕВМАТИЧЕСКИЕ И ЭЛЕКТРИЧЕСКИЕ СХЕМЫ	196
ЭКСПЛУАТАЦИЯ	206
16. ВКЛЮЧЕНИЕ КОМПРЕССОРА.....	207
17. ВЫКЛЮЧЕНИЕ КОМПРЕССОРА.....	207
ТЕХНИЧЕСКОЕ ОБСЛУЖИВАНИЕ.....	208
18. ТЕХНИЧЕСКОЕ ОБСЛУЖИВАНИЕ	208
19. ХРАНЕНИЕ	217
20. УТИЛИЗАЦИЯ ОБОРУДОВАНИЯ.....	217
СРЕДСТВА И МЕТОДЫ УСТРАНЕНИЯ ПРОБЛЕМ	218
21. СВЕДЕНИЯ ОБ УСЛУГАХ ПО РЕМОНТУ.....	219
ПРИЛОЖЕНИЕ	381
22. ОТЧЕТ ОБ УСТАНОВКЕ.....	384

ВАЖНЫЕ СВЕДЕНИЯ

УВАЖАЕМЫЙ ПОЛЬЗОВАТЕЛЬ.

ПОЖАЛУЙСТА, ВНИМАТЕЛЬНО ПРОЧТИТЕ ДАННОЕ РУКОВОДСТВО ПО ЭКСПЛУАТАЦИИ ДЛЯ ТОГО, ЧТОБЫ ОБЕСПЕЧИТЬ ОПТИМАЛЬНОЕ И ПРАВИЛЬНОЕ ФУНКЦИОНИРОВАНИЕ ВАШЕГО МЕДИЦИНСКОГО ОБОРУДОВАНИЯ.

Изделие зарегистрировано и соответствует требованиям Федеральной Службы по надзору в сфере здравоохранения и социального развития Российской Федерации.

Изделие соответствует системе сертификации ГОСТ Р Госстандарта России.

1. СООТВЕТСТВИЕ ТРЕБОВАНИЯМ ДИРЕКТИВ ЕВРОПЕЙСКОГО СОЮЗА

Данное изделие соответствует требованиям Регламенту о медицинских изделиях (2017/745/EU) (MDR). Его можно безопасно использовать по назначению при условии соблюдения всех требований техники безопасности.

2. НАЗНАЧЕНИЕ

Медицинский компрессор используется в качестве источника чистого, безмасляного, сжатого воздуха для питания активных медицинских устройств (например в стоматологии, диагностике и лабораториях и т.д.), где параметры и свойства сжатого воздуха подходят определенному целевому назначению.



Подаваемый компрессором сжатый воздух, не прошедший дополнительную фильтрацию, не подходит для использования в аппаратах искусственной вентиляции легких.

Применение данного изделия для других целей, не соответствующих назначению устройства, считается ненадлежащим использованием. Производитель не несет ответственности за повреждения и травмы, вызванные ненадлежащим использованием устройства.

3. ПРОТИВОПОКАЗАНИЯ И ПОБОЧНЫЕ ЭФФЕКТЫ

Противопоказания или побочные эффекты неизвестны.

4. ПРЕДУПРЕЖДЕНИЯ И СИМВОЛЫ

В руководстве пользователя, а также на устройстве и упаковке к нему для обозначения важных сведений используются перечисленные ниже символы.



Предупреждение



Опасно, угроза поражения электрическим током



Компрессор управляется автоматически; он может запускаться без предупреждения














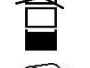


Внимание! Горячая поверхность



Общие предупреждения



См. руководство пользователя.

	Прочтите руководство пользователя
	Маркировка CE
	Медицинское изделие
	Серийный номер
	Заземление
	Клемма заземления
	Предохранитель
	Маркировка на упаковке — ХРУПКИЙ ПРЕДМЕТ
	Маркировка на упаковке — ЭТОЙ СТОРОНОЙ ВВЕРХ
	Маркировка на упаковке — БЕРЕЧЬ ОТ ВЛАГИ
	Маркировка на упаковке — ТЕМПЕРАТУРНЫЕ ОГРАНИЧЕНИЯ
	Маркировка на упаковке — ШТАБЕЛИРОВАНИЕ ОГРАНИЧЕНО
	Маркировка на упаковке — ПРИГОДНО ДЛЯ ВТОРИЧНОЙ ПЕРЕРАБОТКИ
	Производитель

5. ПРЕДУПРЕЖДЕНИЯ

Данное изделие спроектировано и изготовлено таким образом, чтобы не представлять опасности для пользователя и окружающей среды при условии надлежащей эксплуатации. Имейте в виду перечисленные ниже предупреждения.

5.1. Общие предупреждения

ПРЕЖДЕ ЧЕМ ИСПОЛЬЗОВАТЬ ИЗДЕЛИЕ, ВНИМАТЕЛЬНО ПРОЧИТАЙТЕ РУКОВОДСТВО ПОЛЬЗОВАТЕЛЯ. СОХРАНИТЕ РУКОВОДСТВО ДЛЯ ИСПОЛЬЗОВАНИЯ В БУДУЩЕМ.

- В данном руководстве пользователя рассказывается, как правильно установить и эксплуатировать изделие, а также выполнять его техническое обслуживание. Внимательно изучите данное руководство, чтобы правильно эксплуатировать изделие в соответствии с его назначением.
- Сохраните заводскую упаковку на случай возврата устройства. Только заводская упаковка гарантирует защиту устройства во время его транспортировки. При возврате изделия в течение гарантийного срока производитель не несет ответственности за повреждения, вызванные ненадлежащей упаковкой.

- Гарантия не распространяется на изделия, поврежденные в результате применения дополнительных принадлежностей, которые не указаны или не рекомендованы производителем.
- Производитель гарантирует безопасность, надежность и функционирование устройства только при соблюдении описанных ниже условий.
 - Установку, перенастройку, внесение изменений, расширение возможностей и ремонтные работы должен выполнять производитель либо уполномоченная им организация.
 - Изделие следует использовать в соответствии с данным руководством пользователя.
- Данное руководство пользователя соответствует конфигурации изделия и на момент печати отвечает требованиям всех стандартов безопасности и техническим условиям. Производитель оставляет за собой все права на патентную защиту своих методов, названий и конфигурации.
- Перевод руководства пользователя следует выполнять с учетом всей доступной информации. В случае сомнений требуется использовать версию на словацком языке.
- Данное руководство пользователя — исходное. Перевод руководства следует выполнять с учетом всей доступной информации.

5.2. Общие предостережения по безопасности

Производитель разработал и изготовил изделие таким образом, чтобы максимально сократить все риски при условии правильной эксплуатации. Производитель считает своей обязанностью изложить указанные ниже общие требования техники безопасности.

- При эксплуатации изделия следует соблюдать все законы и нормативные акты, действующие в месте использования оборудования. Оператор и пользователь несут ответственность за соблюдение всех соответствующих нормативных актов для безопасной эксплуатации.
- Только использование деталей и узлов, изготовленных производителем, гарантирует безопасность обслуживающего персонала и бесперебойную работу самого изделия. Разрешается применять только те дополнительные принадлежности и детали, которые указаны в технической документации или утверждены производителем.
- Перед каждым использованием устройства оператору необходимо убедиться, что оно работает надлежащим образом и безопасно для эксплуатации.
- Пользователь должен понимать принцип работы устройства.
- Не используйте изделие во взрывоопасных средах.
- В случае возникновения проблем, непосредственно связанных с эксплуатацией устройства, пользователь обязан немедленно уведомить поставщика.
- О любом серьезном инциденте, произошедшем в связи с использованием устройства, необходимо сообщить изготовителю и в компетентный орган государства-члена ЕС, в котором зарегистрирован пользователь и/или пациент.

5.3. Меры техники безопасности для защиты от поражения электрическим током

- Устройство следует подключать только к правильно установленной и заземленной розетке.
- Перед подключением изделия к электросети необходимо убедиться, что напряжение и частота электросети соответствуют характеристикам, указанным на устройстве.
- Прежде чем ввести устройство в эксплуатацию, проверьте, не повреждены ли

подключенные к устройству пневматические линии и провода. Если повреждены какие-либо пневматические линии и электрические провода, немедленно замените их.

- При возникновении опасной ситуации или технической неисправности немедленно отключите изделие от электросети (вытащите сетевой шнур из розетки).
- При ремонте и техническом обслуживании соблюдайте указанные ниже требования.
 - Извлеките вилку сетевого шнура из розетки.
 - Сбравите давление из ресивера и трубопровода
- Установку изделия должен выполнить только квалифицированный специалист.

6. ХРАНЕНИЕ И ТРАНСПОРТИРОВКА

Компрессор поставляется с фабрики в транспортной упаковке. Она защищает устройство от повреждений во время транспортировки.



Возможно повреждение пневматических компонентов.

Компрессор можно транспортировать только после полного отведения воздуха. Перед перемещением или транспортировкой компрессора сбросьте давление воздуха в ресивере, напорных шлангах и камерах осушителя, а также слейте водяной конденсат из ресивера и отделителя конденсата на осушителе.



Сохраните оригинальную заводскую упаковку на случай, если понадобится вернуть устройство. Во время транспортировки используйте оригинальную заводскую упаковку, поскольку она обеспечивает оптимальную защиту изделия. При возврате изделия в течение гарантийного срока производитель не несет ответственности за повреждения, вызванные ненадлежащей упаковкой.



Компрессор поставляется в вертикальном положении и должен быть зафиксирован с помощью транспортных ремней.



При транспортировке и хранении берегите компрессор от влаги, загрязнений и экстремальных температур. Не храните компрессор вблизи летучих химических веществ.



В противном случае утилизируйте оригинальную упаковку экологически безопасным способом. Упаковочный картон можно перерабатывать вместе со старой бумагой.



Запрещается хранить или транспортировать оборудование в условиях, отличных от указанных ниже.

6.1. Условия окружающей среды

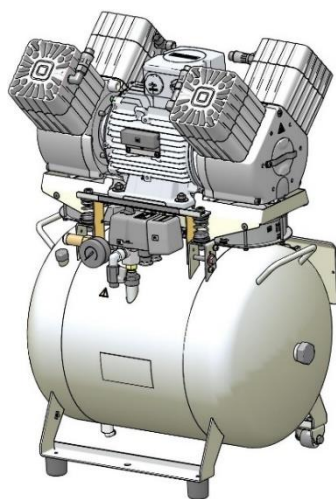
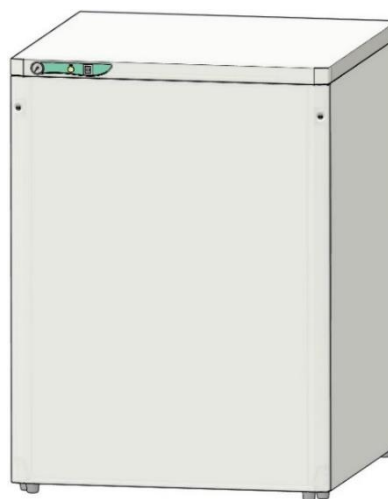
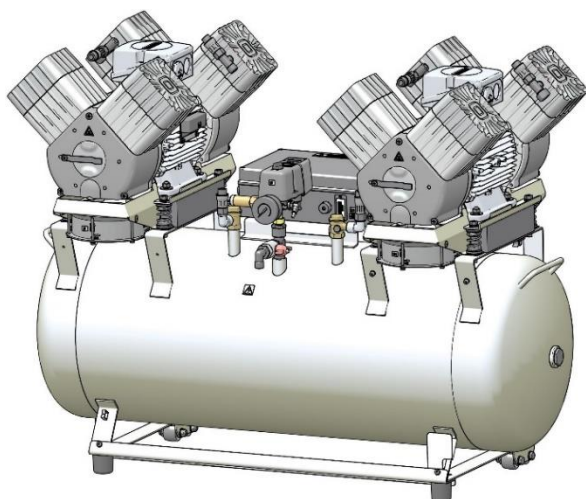
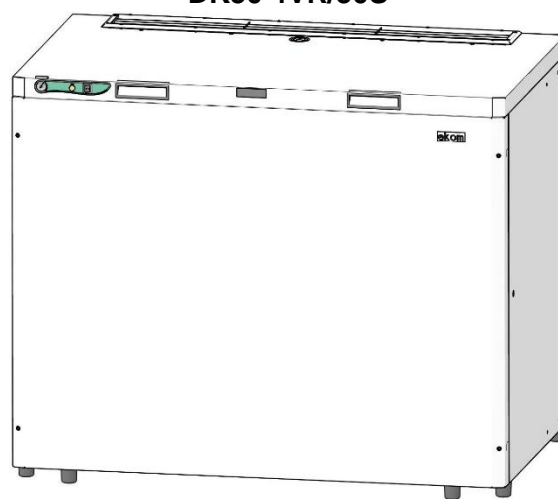
Изделия можно хранить и перевозить только в транспортных средствах, не содержащих остатков летучих химических веществ, при указанных ниже климатических условиях:

Температура	от -25 до +55 °C (24 ч при температуре до +70 °C)
Относительная влажность	макс. 90% (при отсутствии конденсата)

ОПИСАНИЕ ИЗДЕЛИЯ**7. ВАРИАНТЫ ИСПОЛНЕНИЯ**

Компрессор производится в следующих вариантах исполнения:

DK50 4VR/50	Позволяют установить компрессор в помещениях клиники, где своей работой они не мешают окружающим
DK50 4VR/50/M	Компрессор с мембранным осушителем
DK50 4VR/50S	Закрытый компрессор с эффективным шумоподавлением
DK50 4VR/50S/M	Закрытый компрессор с осушителем воздуха
Cabinet S50R	используется для снижения уровня шума, создаваемого компрессором
DK50 2x4VR/110	Позволяют установить компрессор в помещениях клиники, где своей работой они не мешают окружающим
DK50 2x4VR/110/M	Компрессор с мембранным осушителем
DK50 2x4VR/110S	Закрытый компрессор с эффективным шумоподавлением
DK50 2x4VR/110S/M	Закрытый компрессор с осушителем воздуха
Cabinet S110R	используется для снижения уровня шума, создаваемого компрессором

**DK50 4VR/50****S50R
DK50 4VR/50S****DK50 2x4VR/110****S110R
DK50 2x4VR/110S**

8. ПРИНАДЛЕЖНОСТИ

Принадлежности, не входящие в стандартный заказ, необходимо приобретать дополнительно.

Система автоматического слива конденсата

Система автоматического слива конденсата (АОК) автоматически отводит конденсат из ресивера компрессора с заданной периодичностью. Система слива конденсата (АОК) рассчитана на модели компрессоров без осушителей.

Тип	Модели, в которых используется	Артикул комплекта
АОК 18	DK50 4VR/50	604014082-000
АОК 19	DK50 2x4VR/110	604014083-000

Набор выходных фильтров сжатого воздуха

Если требуется, компрессор может быть оснащен комплектом фильтров. Такой комплект фильтров можно оснастить регулятором давления воздуха.



Если требуется другой уровень фильтрации воздуха, такие требования необходимо согласовать с поставщиком, четко указав их во время заказа.

Тип	Модели, в которых используется	Степень фильтрации (µм)	Артикул комплекта
FS 30F		1	604014119-014
FS 30M	DK50 4VR/50	1+0,1	604014119-015
FS 30S	DK50 4VR/50/M	1+0,01	604014119-017
FS 30A		1+0,01+A**	604014119-018
FS 40F		1	604014119-000
FS 40M	DK50 2x4VR/110	1+0,1	604014119-004
FS 40S	DK50 2x4VR/110/M	1+0,01	604014119-024
FS 40AH		1+AC+HC (0,01)	604014119-005

**) А – субмикронный фильтр с активированным углем

Узел регулятора комплекта фильтра

Компрессор можно оснастить регулятором давления на выходе сжатого воздуха (если указана такая возможность). Регулятор следует выбирать исходя из его применения в составе комплекта фильтров или отдельно. Регулятор должен обеспечивать постоянное давление на выходе.

Тип	Модели, в которых используется	Артикул комплекта
Регулятор в сборе (к фильтру в сборе)	DK50 4VR/50	604014130-000
REG12 (отдельно)	DK50 4VR/50/M	447000001-088
Regulátor komplet	DK50 2x4VR/110	604014125-000
REG15	DK50 2x4VR/110/M	447000001-115

Кронштейны комплекта фильтров



Для каждого комплекта фильтров следует заказать соответствующий кронштейн.

Тип	Модели, в которых используется	Артикул комплекта
Кронштейн для монтажа на компрессор	DK50 4VR/50 DK50 4VR/50/M	603014177-000
Кронштейн для монтажа на компрессор	DK50 2x4VR/110	604014131-000
Кронштейн для настенного монтажа	DK50 2x4VR/110/M	603014120-000

Розетка для эквипотенциального соединения

Эта розетка позволяет выполнить эквипотенциальное соединение.

Тип	Модели, в которых используется	Название	Артикул комплекта
POAG-KBT6-EC	DK50 4VR/50 DK50 4VR/50/M DK50 2x4VR/110	Разъем для сетевого штепселя	033400075-000
FLEXI-S/POAG-НК6	DK50 2x4VR/110/M	Проводник (1 м)	034110083-000

9. ПРИНЦИП ДЕЙСТВИЯ ИЗДЕЛИЯ

9.1. Компрессор

Агрегат компрессора (1) всасывает атмосферный воздух через входной фильтр (8) и нагнетает его через обратный клапан (3) в ресивер (2), из которого сжатый воздух поступает на различные устройства. Если давление в ресивере падает до уровня включения, реле давления (4) включает компрессор. Последний подает сжатый воздух в ресивер, пока давление в последнем не повысится до уровня отключения, при котором компрессор отключается. Предохранительный клапан (5) позволяет поддерживать в ресивере давление, не превышающее максимально допустимого значения. Конденсат из ресивера сливается через сливной кран (7). Сжатый, отфильтрованный и безмасленный воздух сохраняется в ресивере и готов к использованию.

Конденсат из ресивера необходимо сливать регулярно (см. раздел 18.1).

9.2. Компрессор с мембранным осушителем

Агрегат компрессора (1) всасывает атмосферный воздух через фильтр на входе (8) и нагнетает его в охладитель (10), после чего он через фильтр (18) и обратный клапан (3) поступает в осушитель (9). Оттуда сухой чистый воздух поступает в ресивер (2). Часть воздуха с уловленной влагой выпускается из осушителя и слабым потоком подается вдоль корпуса осушителя (9). С определенной периодичностью конденсат из фильтра автоматически сливается в резервуар (12) через электромагнитный клапан для слива конденсата (17). Осушитель обеспечивает непрерывное осушение сжатого воздуха. Когда процесс осушения зафиксирован, конденсат из ресивера сливается через сливной кран (7). Сжатый, отфильтрованный и безмасленный воздух сохраняется в ресивере и готов к использованию.

Чтобы мембранный осушитель действовал как положено, он должен быть присоединен к ресиверу непосредственно, без использования обратного клапана. Поскольку мембранный осушитель содержит волокна селективной мембраны, через них происходит незначительная утечка воздуха (около 0,5 бар / 30 мин).

По этой причине, даже если нет расхода сжатого воздуха (из ресивера), давление медленно и постепенно падает, однако это не означает неисправность.

Из резервуара высокого давления не требуется сливать конденсат.

9.3. Шкаф компрессора

Шкаф служит компактным шумопоглощающим корпусом компрессора и обеспечивает воздухообмен, достаточный для охлаждения. Вентилятор (11) под воздушным насосом и вентиляторы (21) шкафа обеспечивают охлаждение компрессора. Вентиляторы работают одновременно с двигателем компрессора или тогда, когда температурное реле срабатывает при температуре выше 40 °С. Как только температура внутри шкафа опускается примерно до 32 °С, вентиляторы автоматически отключаются.



Риск перегрева компрессора.

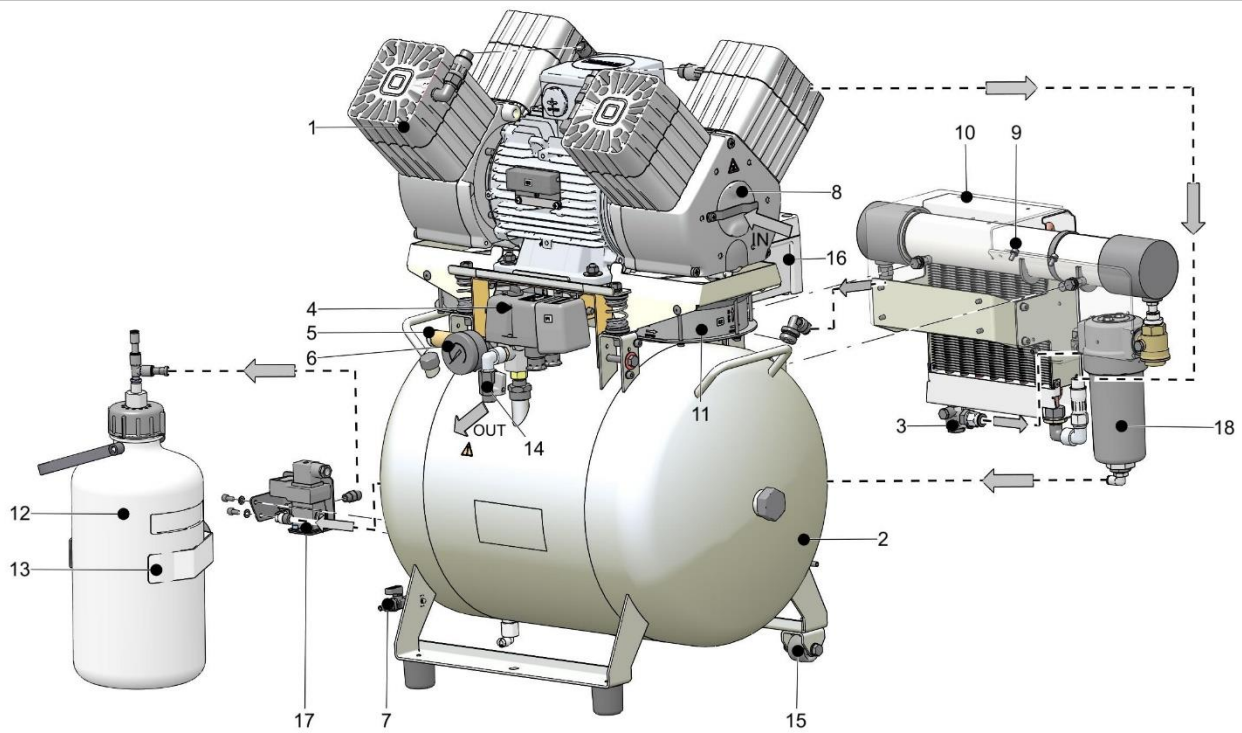
Убедитесь, что на входе охлаждающего воздуха в шкаф (вокруг его нижней части) и на выходе горячего воздуха в верхней задней части шкафа нет препятствий.

При установке компрессора на мягкий пол, например на ковер, необходимо предусмотреть пространство для вентиляции между основанием и полом или шкафом и полом, например подложить под стойки твердые подкладки, чтобы обеспечить достаточное охлаждение компрессора.

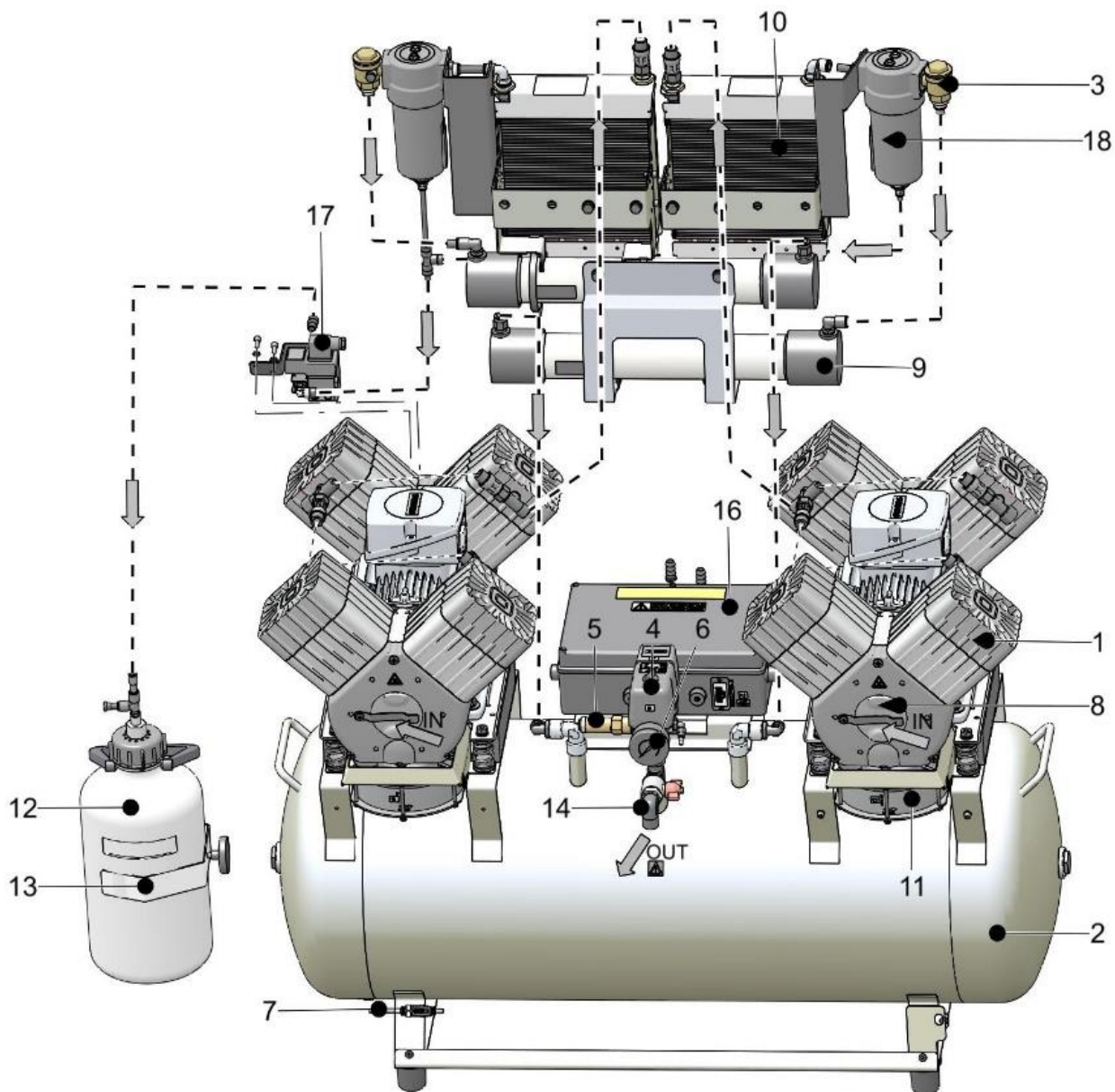
Описание для рисунков 1 – 3:

1	Агрегат компрессора	16	Распределительная коробка
2	Ресивер	17	Электромагнитный клапан слива
3	Обратный клапан		конденсата
4	Реле давления	18	Фильтр
5	Предохранительный клапан	21	Вентилятор шкафчика
6	Манометр	22	Манометр шкафчика
7	Кран слива	23	Выключатель
8	Входной фильтр	24	Разъем шкафчика
9	Осушитель	25	Шланг манометра
10	Охладитель осушителя	26	Установочная тележка
11	Вентилятор компрессора	27	Жесткий стенной упор
12	Резервуар для сбора конденсата	28	Шнур электропитания
13	Магнитный кронштейн	29	Пневматические пружины
14	Выпускной воздуховод сжатого воздуха	30	Опорный кронштейн
15	Колесо компрессора	31	Индикатор техобслуживания

Рис. 1: Компрессор с осушителем

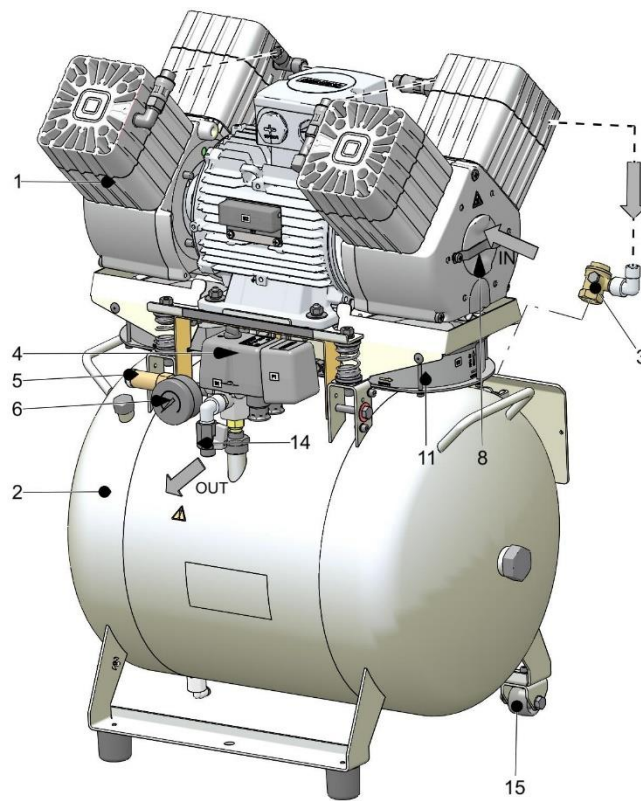


DK50 4VR/50/M

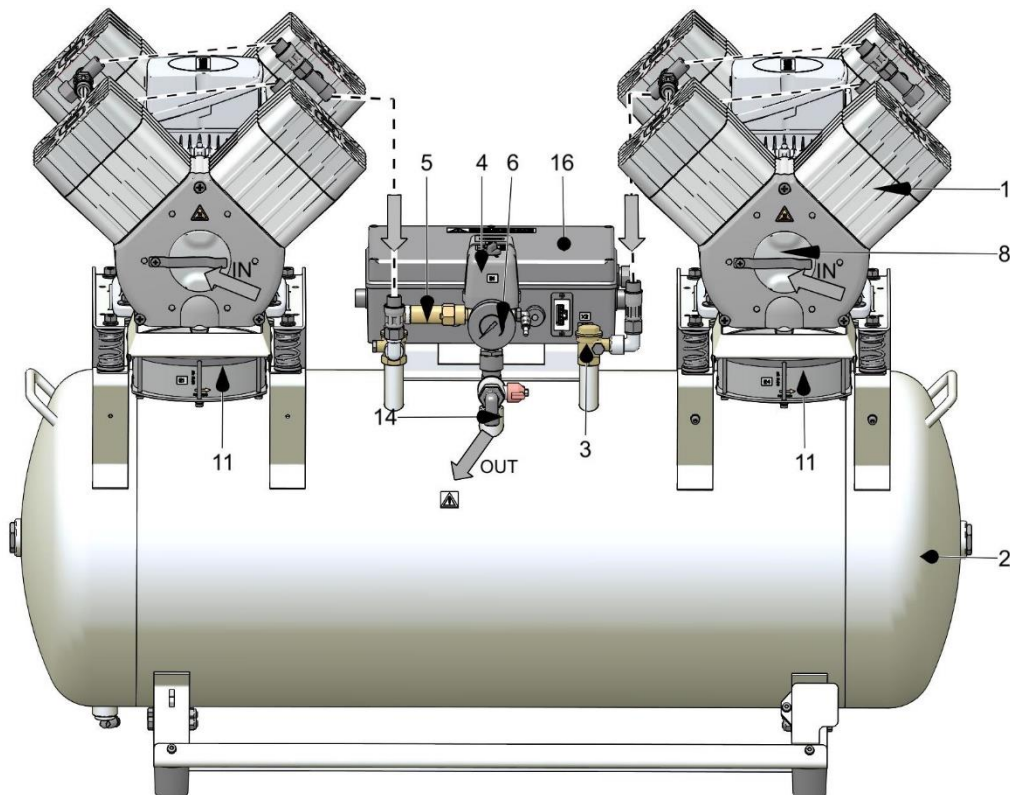


DK50 2x4VR/110/M

Рис. 2: Компрессор

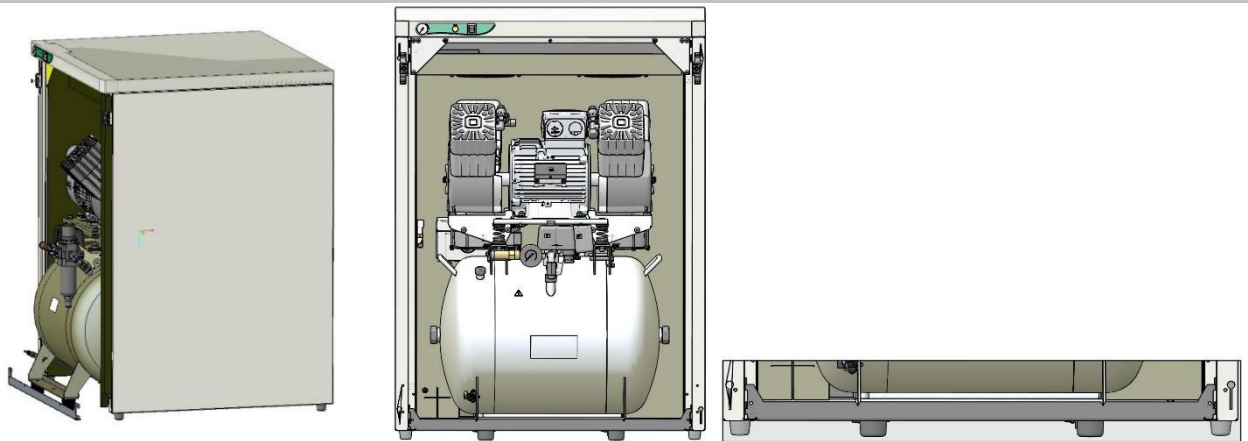
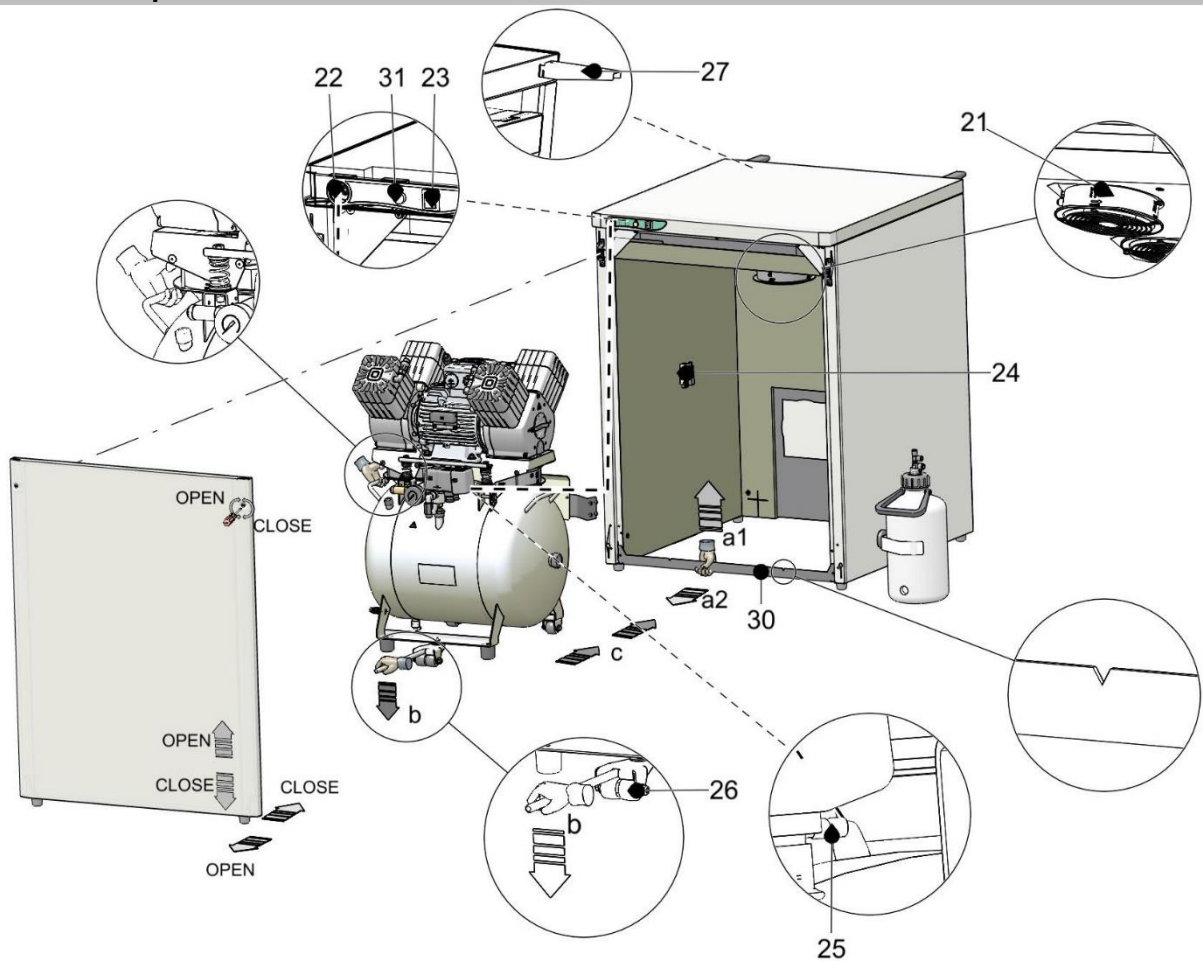


DK50 4VR/50

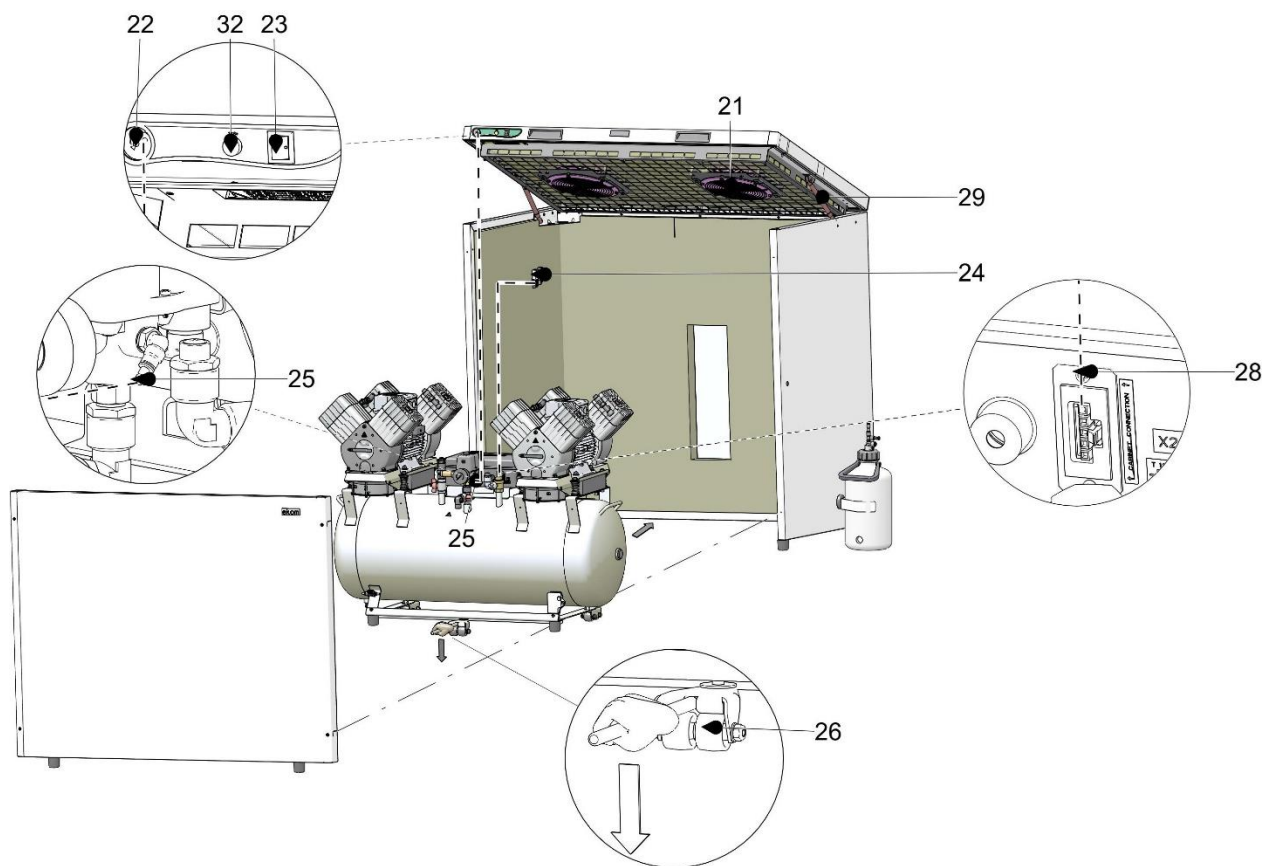


DK50 2x4VR/110

Рис. 3: Шкаф



A – DK50 4VR/50S



B – DK50 2x4VR/110S

ТЕХНИЧЕСКИЕ ХАРАКТЕРИСТИКИ

Компрессоры предназначены для эксплуатации в сухих, проветриваемых и незапыленных помещениях при указанных ниже климатических условиях.

Температура

от +5 до +40 °С

Относительная влажность

макс. 70%

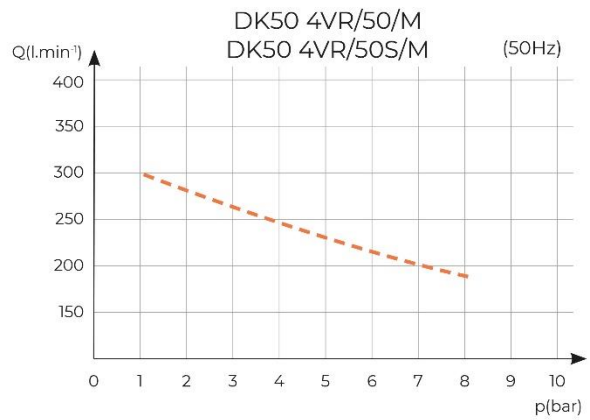
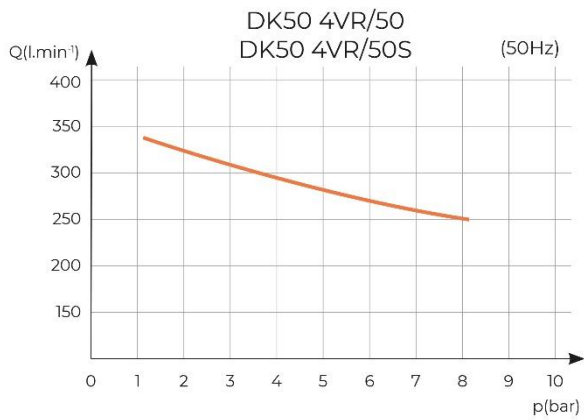
Рабочее давление 6 – 8 бар		DK50 4VR/50	DK50 4VR/50S	DK50 4VR/50/M	DK50 4VR/50S/M
Номинальное напряжение Частота ^{a)}	В, Гц	3x400, 50	3x400, 50	3x400, 50	3x400, 50
Производительность компрессора при давлении 6 бар (ПОСВ)	л/мин	270	270	215	215
Рабочее давление ^{b)}	бар	6,0 – 8,0	6,0 – 8,0	6,0 – 8,0	6,0 – 8,0
Номинальный ток	А	4,7	5,1	4,8	5,2
Мощность двигателя	кВт	2,2	2,2	2,2	2,2
Объем ресивера	л	50	50	50	50
Качество воздуха (фильтрация)	μм	-	-	0,1	0,1
Максимальное рабочее давление предохранительного клапана	бар	12,0	12,0	12,0	12,0
Уровень шума при 5 бар (LpA)	дБ	≤77,0	≤58,0	≤77,0	≤58,0
Рабочий режим	%	S1-100	S1-100	S1-100	S1-100
Степень осушения PDP при давлении 7 бар	°С	-	-	≤ +3	≤ +3
Размеры без упаковки Ш x Д x В	мм	577x587x815	750x778x1015	577x628x815	750x778x1015
Масса нетто ^{c)}	кг	70	128	81	139
Классификация согласно стандарту EN 60601-1	Класс I.				

^{a)} При заказе указывайте модель компрессора.

^{b)} Если необходим другой диапазон значений давления, проконсультируйтесь с поставщиком.

^{c)} Масса является ориентировочной и относится только к изделию без принадлежностей.

Зависимость производительности компрессора от рабочего давления



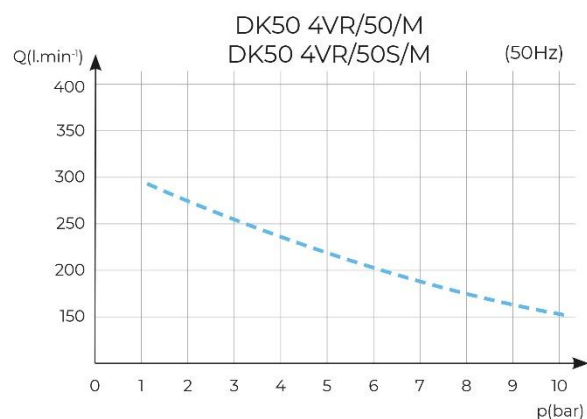
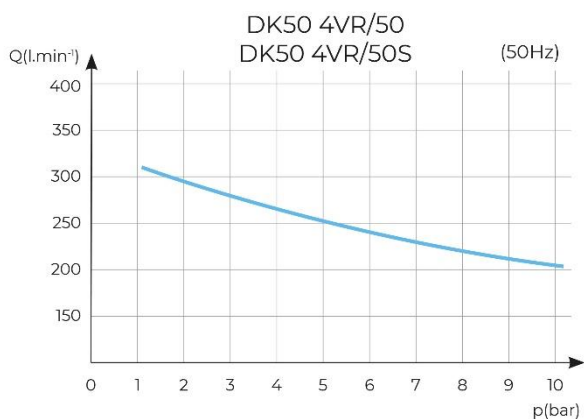
Рабочее давление 8 – 10 бар		DK50 4VR/50	DK50 4VR/50S	DK50 4VR/50/M	DK50 4VR/50S/M
Номинальное напряжение Частота ^{a)}	В, Гц	3x400, 50	3x400, 50	3x400, 50	3x400, 50
Производительность компрессора при давлении 8 бар (ПОСВ)	л/мин	220	220	175	175
Рабочее давление ^{b)}	бар	8,0 – 10,0	8,0 – 10,0	8,0 – 10,0	8,0 – 10,0
Номинальный ток	А	4,7	5,1	5,4	5,9
Мощность двигателя	кВт	2,2	2,2	2,2	2,2
Объем ресивера	л	50	50	50	50
Качество воздуха (фильтрация)	μм	-	-	0,1	0,1
Максимальное рабочее давление предохранительного клапана	бар	12,0	12,0	12,0	12,0
Уровень шума при 5 бар (LpA)	дБ	≤77,0	≤58,0	≤77,0	≤58,0
Рабочий режим	%	S1-100	S1-100	S1-100	S1-100
Степень осушения PDP при давлении 7 бар	°С	-	-	≤ +3	≤ +3
Размеры без упаковки Ш x Д x В	мм	577x587x815	750x778x1015	577x628x815	750x778x1015
Масса нетто ^{c)}	кг	70	128	81	139
Классификация согласно стандарту EN 60601-1	Класс I.				

^{a)} При заказе указывайте модель компрессора.

^{b)} Если необходим другой диапазон значений давления, проконсультируйтесь с поставщиком.

^{c)} Масса является ориентировочной и относится только к изделию без принадлежностей.

Зависимость производительности компрессора от рабочего давления



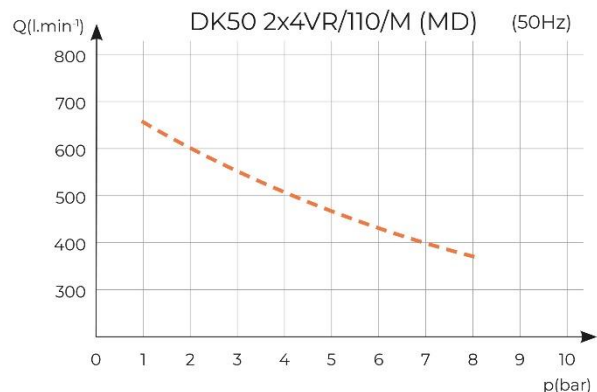
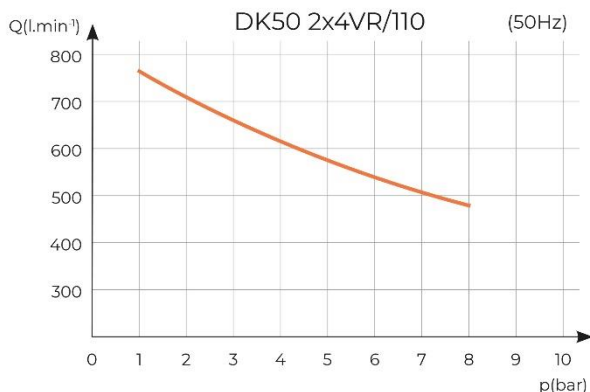
Рабочее давление 6 – 8 бар		DK50 2x4VR/110	DK50 2x4VR/110S	DK50 2x4VR/110/M	DK50 2x4VR/110S/M
Номинальное напряжение	В, Гц	3x400, 50	3x400, 50	3x400, 50	3x400, 50
Частота ^{a)}					
Производительность компрессора при давлении 6 бар (ПОСВ)	л/мин	540	540	430	430
Рабочее давление ^{b)}	бар	6,0 – 8,0	6,0 – 8,0	6,0 – 8,0	6,0 – 8,0
Номинальный ток	А	9,4	10,2	10,1	10,6
Мощность двигателя	кВт	2x2,2	2x2,2	2x2,2	2x2,2
Объем ресивера	л	110	110	110	110
Качество воздуха (фильтрация)	μм	-	-	0,1	0,1
Максимальное рабочее давление предохранительного клапана	бар	9,0	9,0	9,0	9,0
Уровень шума при 5 бар (LpA)	дБ	≤77,0	≤58,0	≤77,0	≤58,0
Рабочий режим	%	S1-100	S1-100	S1-100	S1-100
Степень осушения PDP при давлении 7 бар	°С	-	-	≤ +3	≤ +3
Размеры без упаковки Ш x Д x В	мм	1085x511x830	1260x834x1046	1085x678x830	1260x834x1046
Масса нетто ^{c)}	кг	136	218	158	240
Классификация согласно стандарту EN 60601-1		Класс I.			

a) При заказе указывайте модель компрессора.

b) Если необходим другой диапазон значений давления, проконсультируйтесь с поставщиком.

c) Масса является ориентировочной и относится только к изделию без принадлежностей.

Зависимость производительности компрессора от рабочего давления



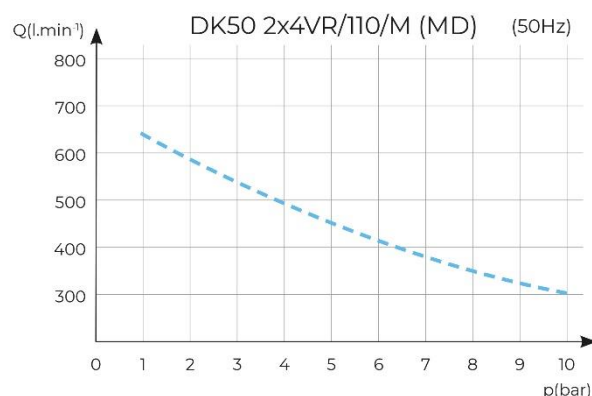
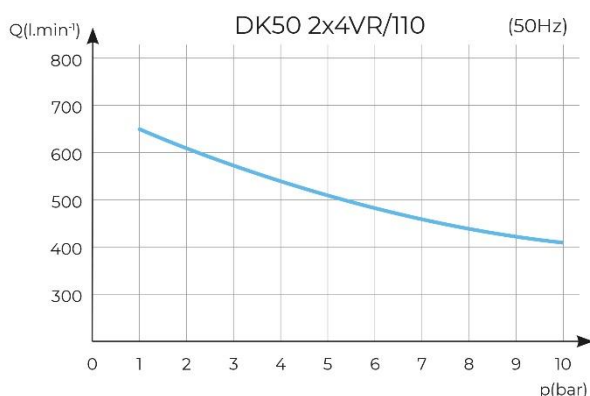
Рабочее давление 8 – 10 бар		DK50 2x4VR/110	DK50 2x4VR/110S	DK50 2x4VR/110/M	DK50 2x4VR/110S/M
Номинальное напряжение Частота ^{a)}	В, Гц	3x400, 50	3x400, 50	3x400, 50	3x400, 50
Производительность компрессора при давлении 8 бар (ПОСВ)	л/мин	440	440	350	350
Рабочее давление ^{b)}	бар	8,0 – 10,0	8,0 – 10,0	8,0 – 10,0	8,0 – 10,0
Номинальный ток	А	9,4	10,2	10,1	10,6
Мощность двигателя	кВт	2x2,2	2x2,2	2x2,2	2x2,2
Объем ресивера	л	110	110	110	110
Качество воздуха (фильтрация)	μм	-	-	0,1	0,1
Максимальное рабочее давление предохранительного клапана	бар	12,0	12,0	12,0	12,0
Уровень шума при 5 бар (LpA)	дБ	≤77,0	≤58,0	≤77,0	≤58,0
Рабочий режим	%	S1-100	S1-100	S1-100	S1-100
Степень осушения PDP при давлении 7 бар	°С	-	-	≤ +3	≤ +3
Размеры без упаковки Ш x Д x В	мм	1085x511x830	1260x834x1046	1085x678x830	1260x834x1046
Масса нетто ^{c)}	кг	136	218	158	240
Классификация согласно стандарту EN 60601-1	Класс I.				

a) При заказе указывайте модель компрессора.

b) Если необходим другой диапазон значений давления, проконсультируйтесь с поставщиком.

c) Масса является ориентировочной и относится только к изделию без принадлежностей.

Зависимость производительности компрессора от рабочего давления



Поправки потребляемого объема сжатого воздуха за единицу времени (ПОСВ) вследствие подъема

Производительность, указанная как ПОСВ (потребляемый объем сжатого воздуха), зависит от выполнения следующих условий:

Высота	0 метров над уровнем моря	Температура	20 °C
Атмосферное давление	101 325 Па	Относительная влажность	0 %

Следующая таблица поправочных коэффициентов используется для преобразования производительности компрессора ПОСВ в зависимости от высоты над уровнем моря.:


Высота [метров над уровнем моря]	0–1500	1501–2500	2501–3500	3501–4500
Поправочный коэффициент ПОСВ	1	0,8	0,71	0,60

Требования к электромагнитной совместимости

Медицинское устройство нуждается в специальных мерах предосторожности в отношении электромагнитной совместимости (ЭМС) и должно быть установлено и введено в эксплуатацию в соответствии с информацией ЭМС, приведенной ниже

Руководство и заявление производителя: электромагнитное излучение		
Для IEC 60601-1-2:2014 - Изделия медицинские электрические. Часть 1-2. Общие требования безопасности с учетом основных функциональных характеристик. Параллельный стандарт. Электромагнитные помехи. Требования и испытания.		
Устройство предназначено к использованию в электромагнитной обстановке, как указано ниже. Покупатель или пользователь устройства должен обеспечить эксплуатацию устройства в таких условиях.		
Испытание электромагнитного излучения	Соответствие	Электромагнитная обстановка: руководство
Радиочастотное излучение CISPR 11	Группа 1	Устройство использует высокочастотную энергию только для функционирования внутренних компонентов. Таким образом, радиочастотное излучение очень низкое и не должно вызывать помехи в работе расположенного поблизости электронного оборудования.
Радиочастотное излучение CISPR 11	Класс В	Устройство подходит для использования во всех учреждениях, включая домашние хозяйства и учреждения, подключенные непосредственно к общественной низковольтной системе электроснабжения, питающей жилые здания.
Гармоническая эмиссия IEC 61000-3-2	Класс А	
Колебания напряжения / фликер IEC 61000-3-3	Устройство не должно вызывать фликер, так как ток после запуска практически постоянен.	

Руководство и заявление производителя: электромагнитная устойчивость			
Для IEC 60601-1-2:2014 - Изделия медицинские электрические. Часть 1-2. Общие требования безопасности с учетом основных функциональных характеристик. Параллельный стандарт. Электромагнитные помехи. Требования и испытания.			
Устройство предназначено к использованию в электромагнитной обстановке, как указано ниже. Покупатель или пользователь устройства должен обеспечить эксплуатацию устройства в таких условиях.			
Испытание устойчивости	Степень жесткости испытания согласно IEC 60601-1-2	Уровень соответствия	Электромагнитная обстановка: руководство
Электростатический разряд IEC 61000-4-2	± 8 кВ контактный ± 15 кВ воздушный	± 8 кВ контактный ± 15 кВ воздушный	Полы должны быть из дерева, бетона или керамической плитки. Если полы покрыты синтетическим материалом, относительная влажность должна быть минимум 30 %.
Электрические наносекундные импульсные помехи IEC 61000-4-4	± 2 кВ для портов электропитания ± 1 кВ портов ввода/вывода	± 2 кВ 100 кГц частота повторения Применимо при подключении к основному источнику питания	Качество основного источника электропитания должно соответствовать нормам для коммерческих или лечебных учреждений.
Микросекундные импульсные помехи большой энергии IEC 61000-4-5	± 1 кВ в дифференциальном режиме, ± 2 кВ в обычном режиме	± 1 кВ фаза-нейтраль ± 2 кВ фаза-защитное заземление; нейтраль-защитное заземление Применимо при подключении к основному источнику питания	Качество основного источника электропитания должно соответствовать нормам для коммерческих или лечебных учреждений.
Падение напряжения, кратковременное прерывание энергоснабжения и изменение напряжения на линиях электроснабжения IEC 60601-4-11	$U_T=0\%$, 0,5 цикла (b 0, 45, 90, 135, 180, 225, 270 и 315°) $U_T=0\%$, 1 цикл $U_T=70\%$ 25/30 циклов (для 0°) $U_T=0\%$, 250/300 циклов	$U_T \geq 95\%$, 0,5 цикла (b 0, 45, 90, 135, 180, 225, 270 и 315°) $U_T \geq 95\%$, 1 цикл $U_T=70\%$ (30% падение U_T), 25(50Hz)/30(60Hz) циклов (для 0°) $U_T \geq 95\%$, 250(50Hz)/300(60Hz) циклов	Качество основного источника электропитания должно соответствовать нормам для коммерческих или лечебных учреждений. Устройство отключается и повторно запускается при каждом падении напряжения. В этом случае удается избежать недопустимого падения давления.
Частота сети (50 / 60 Гц) IEC 61000-4-8	30 А/м	30 А/м	Магнитные поля промышленной частоты должны быть на уровне, характерном для типичного местоположения в типичном коммерческом или лечебном учреждении
ПРИМЕЧАНИЕ. U_T — напряжение главного источника питания переменного тока до применения степени жесткости испытаний.			

Руководство и заявление производителя: электромагнитная устойчивость			
Для IEC 60601-1-2:2014 - Изделия медицинские электрические. Часть 1-2. Общие требования безопасности с учетом основных функциональных характеристик. Параллельный стандарт. Электромагнитные помехи. Требования и испытания.			
Устройство предназначено к использованию в электромагнитной обстановке, как указано ниже. Покупатель или пользователь устройства должен обеспечить эксплуатацию устройства в таких условиях.			
Испытание устойчивости	Степень жесткости испытания согласно IEC 60601-1-2	Уровень соответствия	Электромагнитная обстановка: руководство
<p>Наведенные РЧ-поля IEC 61000-4-6</p> <p>Радиочастотное электромагнитное поле IEC 61000-4-3</p> <p>Поля близости от радиочастотных беспроводных коммуникационных Устройств IEC 61000-4-3</p>	<p>3 В среднеквадратическое напряжение от 150 кГц до 80 МГц</p> <p>3 В/м от 80 МГц до 2,7 ГГц</p> <p>9 до 28 В/м 15 специфических частот (380 до 5800 MHz)</p>	<p>3 В среднеквадратическое напряжение</p> <p>3 В/м</p> <p>9 до 28 В/м 15 специфических частот (380 до 5800 MHz)</p>	<p>Портативное и мобильное радиооборудование не рекомендуется использовать возле любой части устройства, включая кабели, ближе рекомендованного расстояния, рассчитанного в уравнении на основе частоты передатчика.</p> <p>Рекомендуемое расстояние $d = 1,2\sqrt{P}$</p> <p>$d = 1,2\sqrt{P}$, от 80 МГц до 800 МГц</p> <p>$d = 2,3\sqrt{P}$, от 800 МГц до 2,7 ГГц</p> <p>Здесь P — максимальная номинальная мощность передатчика на выходе в ваттах (Вт) согласно данным производителя, а d — рекомендованное расстояние в метрах (м).</p> <p>Напряженность поля, создаваемая постоянными РЧ-передатчиками и определяемая в результате практического измерения электромагнитного поля^a, должна быть меньше, чем значения для уровня соответствия в каждом диапазоне частот.^b Помехи могут возникать поблизости от оборудования, отмеченного таким знаком:</p> 
<p>ПРИМЕЧАНИЕ 1. В диапазоне частот от 80 МГц до 800 МГц применяется большее значение.</p> <p>ПРИМЕЧАНИЕ 2. Данные руководства применимы не во всех ситуациях. Поглощение и отражение электромагнитных волн зданиями, объектами и людьми влияют на их распространение.</p>			
<p>^a Напряженность поля от постоянных передатчиков, например базовых станций радиотелефонов (мобильных или беспроводных) и сухопутных систем подвижной радиосвязи, радиоловительской связи, AM- и FM-радиостанций и телевизионных вышек, нельзя точно рассчитать в теории. Чтобы оценить электромагнитную обстановку вблизи от постоянных РЧ-передатчиков, необходимо провести практические измерения электромагнитного поля. Если измеренная напряженность поля в месте, где используется устройство превышает применимый уровень соответствия устойчивости к РЧ-помехам, указанный выше, необходимо внимательно следить за функционированием устройства, чтобы обеспечить нормальную работу. Если наблюдаются неполадки в работе устройства, могут понадобиться дополнительные меры, например перестановка или перемещение устройства.</p> <p>^b За пределами диапазона частот от 150 кГц до 80 кГц напряженность поля должна быть менее 3 В/м.</p>			

УСТАНОВКА



Риск неправильной установки.

Установку компрессора и ввод его в эксплуатацию должен выполнять только квалифицированный технический специалист. Этот специалист должен обучить представителей обслуживающего персонала эксплуатации и техническому обслуживанию оборудования. Чтобы подтвердить установку и обучение операторов, необходимо внести запись в журнал установки оборудования. (См. раздел «Приложение»)

10. УСЛОВИЯ ПРИ УСТАНОВКЕ

- Компрессор можно устанавливать и эксплуатировать только в сухих, хорошо проветриваемых и чистых помещениях, условия окружающей среды в которых соответствуют требованиям, изложенным в разделе «Технические характеристики».



Опасность повреждения устройства.

Оборудование нельзя эксплуатировать на открытом воздухе или во влажных либо сырых средах.



Опасность взрыва.

Запрещается применять оборудование в помещениях с наличием взрывоопасных газов, пыли или воспламеняющихся жидкостей.



Опасность ожогов или возгорания. Внимание! Горячая поверхность!

Во время работы компрессора детали компрессора могут нагреваться до опасных температур, что может повредить материалы или причинить вред обслуживающему персоналу.

- Компрессор нужно устанавливать так, чтобы он был легкодоступным для эксплуатации и технического обслуживания. Убедитесь, что паспортная табличка устройства легкодоступна.
- Компрессор должен располагаться на плоской и устойчивой поверхности с учетом его массы (см. раздел «Технические характеристики»).
- Использование при каких-либо других условиях либо при условиях, которые выходят за данные рамки, считается ненадлежащим. Производитель не несет ответственность за ущерб, вызванный таким использованием. Все риски принимает на себя оператор или пользователь.



Опасность высокой температуры

Запрещается устанавливать препятствия для воздушного потока перед охладителем или после него. Температура внутренних или внешних частей оборудования может повыситься до опасного уровня.



После первого ввода изделия в эксплуатацию какое-то время может быть заметен «запах новой техники». Этот запах вскоре исчезнет, и он никак не влияет на нормальную эксплуатацию изделия. После установки убедитесь, что место установки проветривается должным образом.

11. КОМПРЕССОРНАЯ УСТАНОВКА

11.1. Перемещение и выгрузка компрессора

- Извлеките компрессор из упаковки.

- Расположите компрессор в месте будущей эксплуатации (Рис. 4).

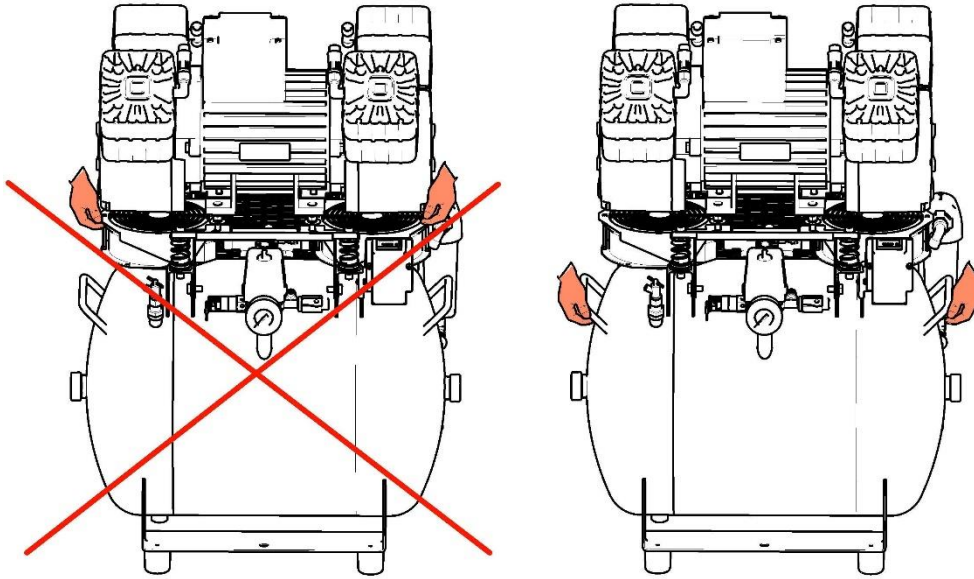


Если требуется переместить компрессор, используйте имеющиеся рукоятки. Не следует использовать для удержания другие части компрессора (агрегат и т. д.).

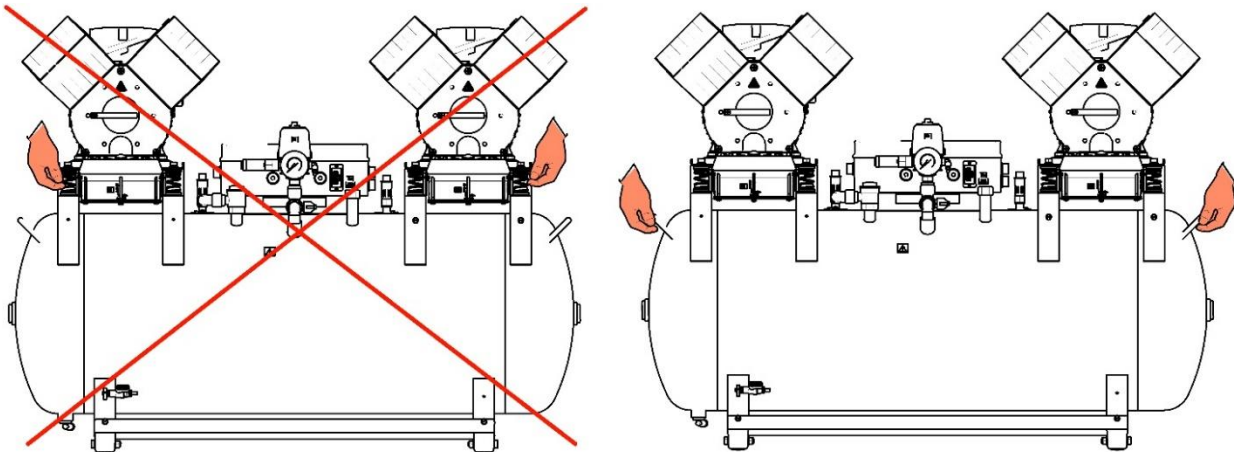


Для перемещения оборудования требуется как минимум два человека.

Рис. 4: Перемещение компрессора



DK50 4VR/50



DK50 2x4VR/110

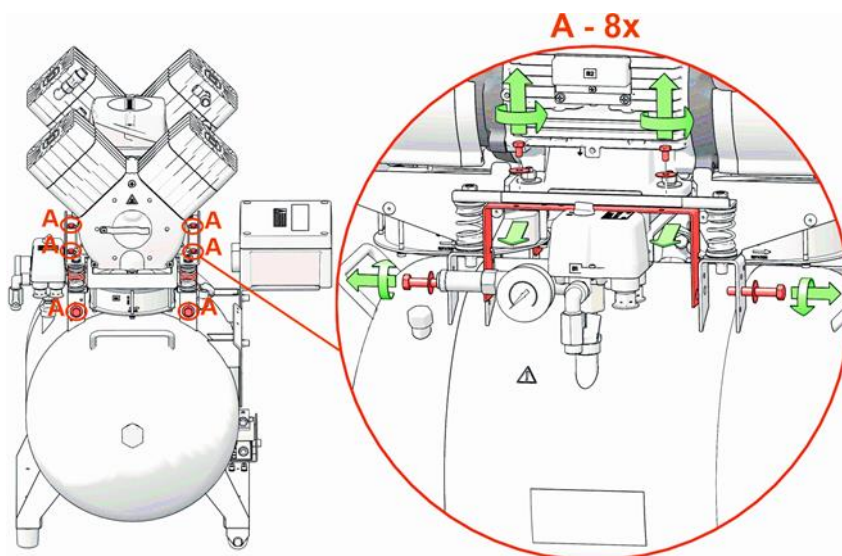
- Демонтируйте транспортировочные стабилизаторы с агрегатов (Рис. 5).



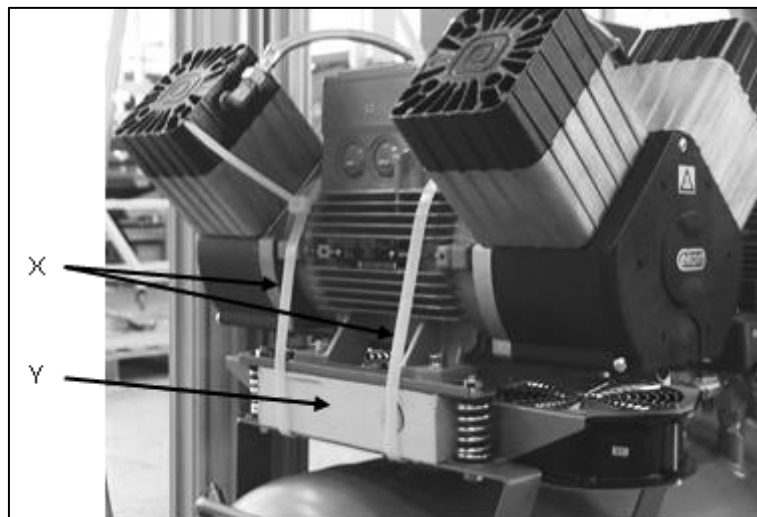
Перед установкой необходимо устранить все элементы упаковки и стабилизаторы, служащие для фиксации оборудования во время транспортировки, во избежание опасности повреждения изделия.

После окончательной установки и выравнивания компрессора на месте демонтируйте все приспособления, использовавшиеся для защиты агрегатов.

Рис. 5: Разъединение агрегатов



DK50 4VR/50



DK50 2x4VR/110

11.2. Размещение компрессора в шкафу

DK50 4VR/50S (Рис. 3-А):

Разборка двери шкафа

- Демонтируйте дверь, удерживаемую 2 винтами, и отсоедините провод заземления.

Размещение компрессора

- Удалите соединительную полосу (30) в передней части шкафа.
- С помощью установочной тележки (26) вставьте компрессор в шкаф, разместите соединительную полосу (30) перед шкафом и отрегулируйте положение компрессора таким образом, чтобы два V-образных паза на соединительной полосе были выровнены по отношению к ножкам компрессора.
- Вставьте компрессор с осушителем в шкаф таким образом, чтобы вентилятор осушителя вошел в отверстие канала охлаждения в шкафу. ВНИМАНИЕ! Не задвигайте компрессор

до упора! В моделях компрессора с осушителем поток охлаждающего воздуха в охладитель ограничен, поэтому существует опасность необратимого повреждения осушителя.

- Разместите соединительную полосу (30) в ее изначальном положении в нижней части шкафа.

Установка двери шкафа

- Выровняйте дверь по отношению к шкафу, подсоедините провод заземления к двери и установите дверь на шкаф с помощью 2 винтов.



Компрессор с осушителем запрещено вставлять в шкаф до упора, так как возможно необратимое повреждение осушителя.

DK50 2x4VR/110S (Рис. 3-В):

Открытие верхней крышки

- Поднимите верхнюю крышку шкафа за рукоятку таким образом, чтобы пневматические пружины удерживали крышку в открытом состоянии.



Закрывая крышку шкафа, будьте осторожны, чтобы не зажать пальцы.

После закрытия дверцы шкафа всегда запирайте ее с помощью быстросъемного элемента!

Разборка передней панели шкафа

- Демонтируйте дверь, удерживаемую 4 винтами, и отсоедините провод заземления.

Размещение компрессора

- Поместите компрессор с осушителем в шкаф таким образом, чтобы вентилятор осушителя вошел в отверстие канала охлаждения в шкафу. (Рис. 6).



Компрессор с осушителем запрещено вставлять в шкаф до упора, так как возможно необратимое повреждение осушителя.

Установка двери шкафа

- Выровняйте дверь по отношению к шкафу, подсоедините провод заземления к двери и установите дверь на шкаф с помощью 4 винтов.

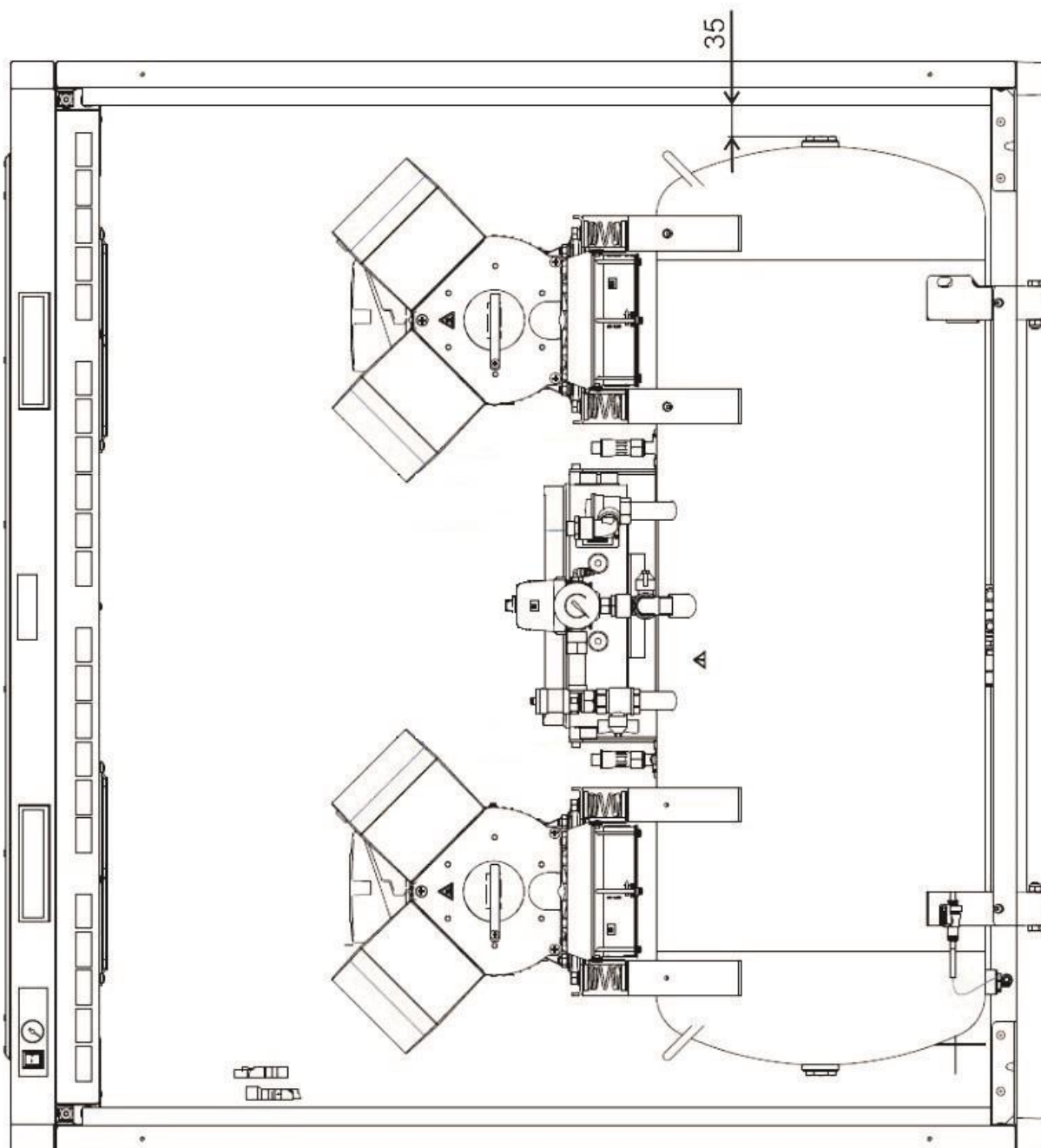


Рис. 6: Размещение компрессора в шкафу

11.3. Установка клапана слива конденсата из шкафа (DK50 2x4VR/110)

Для компрессоров, устанавливаемых в шкафу: установите фитинг с клапаном (1) и полиамидный шланг $\varnothing 8 / \varnothing 6$ (2) в отверстие в боковой части шкафа. Вставьте другой конец шланга в фитинг (4) под воздухохоборником, с которого сняты клапан (3) и шланг.

Используйте заглушку $\varnothing 16,5$, чтобы закрыть отверстие с другой стороны шкафа.

Фитинг с клапаном — стандартные детали, поставляемые вместе со шкафом. Клапан слива конденсата может быть установлен с любой стороны компрессора.

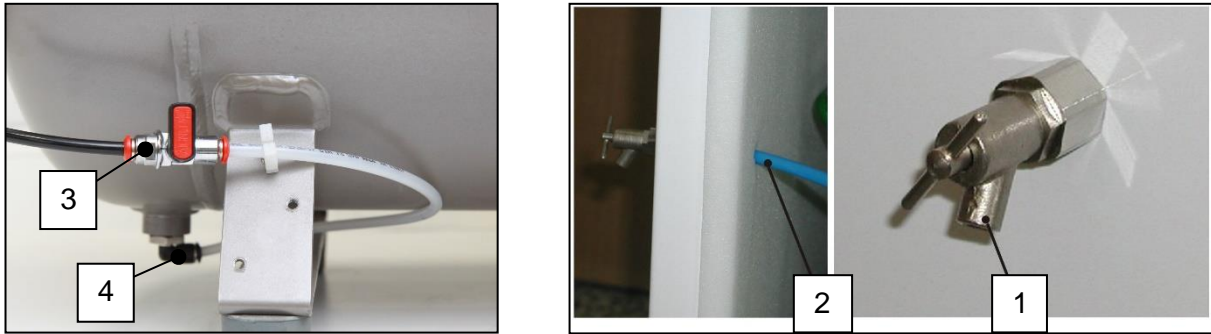


Рис. 7: Установка клапана слива конденсата из шкафа (DK50 2x4VR/110)



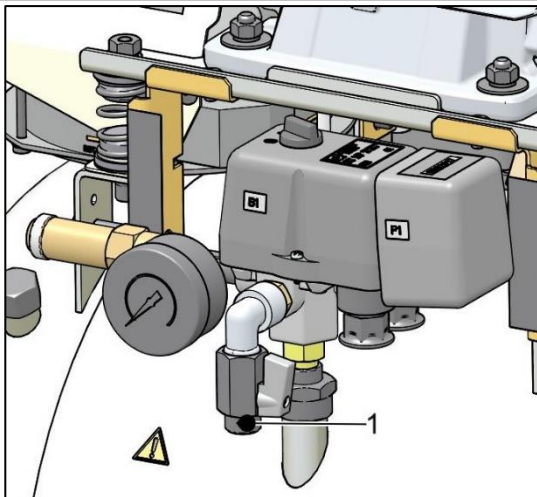
При демонтаже компрессора воспользуйтесь отверткой, чтобы отсоединить разъем шкафа!

12. ПНЕВМАТИЧЕСКИЕ СОЕДИНЕНИЯ

12.1. Подключение к выпускному воздухопроводу сжатого воздуха

- Проложите напорную линию от выпускного отверстия сжатого воздуха (1) на компрессоре к устройству.
- Для компрессоров, смонтированных в шкафах, проложите напорный шланг через отверстие в задней стенке шкафа.
- Установлены соединения G 3/8" (DK50 4VR/50), G1/2" (DK50 2x4VR/110).

DK50 4VR/50



DK50 2x4VR/110

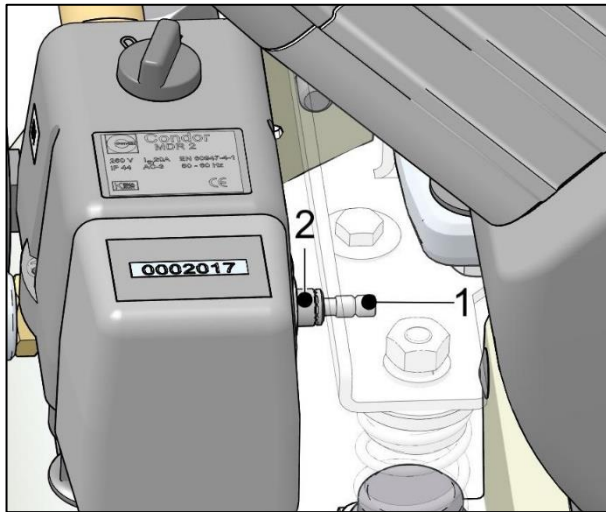


Рис. 8: Подключение к выпускному воздухопроводу сжатого воздуха

12.2. Подключение манометра шкафа к компрессору

- Снимите резьбовую заглушку (1) с пневматического блока (2) на компрессоре.
- Подключите напорный шланг шкафа к фитингу с резьбой.

DK50 4VR/50



DK50 2x4VR/110

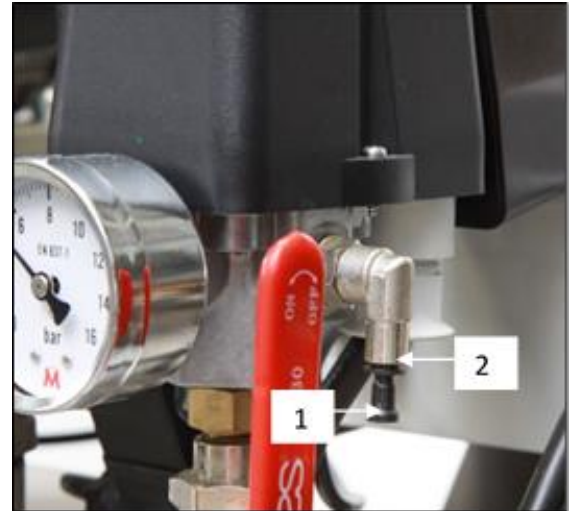


Рис. 9: Подключение манометра шкафа к компрессору

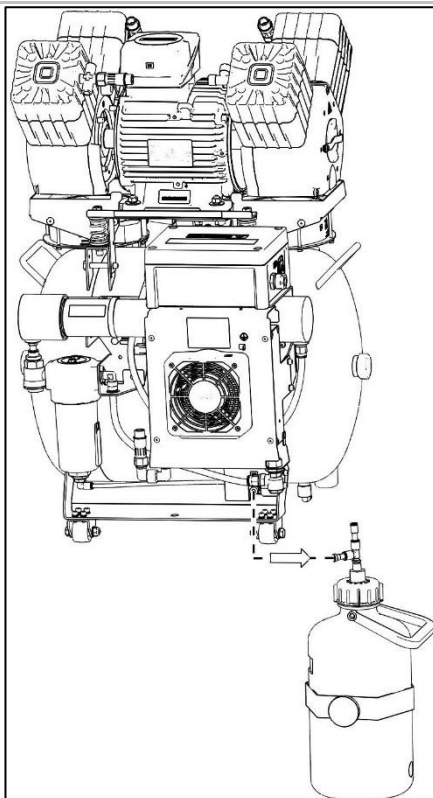
Отвод конденсата из осушителя



Не присоединяйте слив для конденсата непосредственно к канализации!
Проходящие мимо люди могут получить травмы!

- Для слива жидкости из трубопровода присоедините шланг к выходу автоматического конденсатоотводчика или к предусмотренному резервуару для сбора конденсата.

DK50 4VR/50



DK50 2x4VR/110

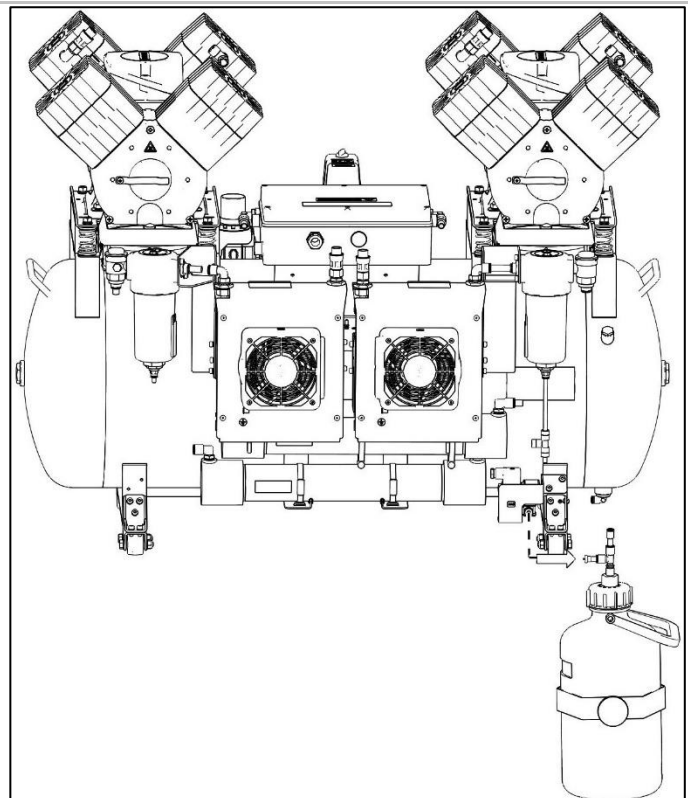


Рис. 10: Конденсатоотводчик

12.3. Прокладывание шлангов и электрических кабелей компрессоров, монтируемых в шкафу

- Проведите шланг и электрические кабели через отверстие в задней стенке шкафа (для моделей компрессоров с осушителем).



Возможно повреждение пневматических компонентов.

Убедитесь, что нет изгибов воздушных шлангов.

13. ЭЛЕКТРИЧЕСКИЕ СОЕДИНЕНИЯ

- Изделие поставляется в комплекте с заземленной вилкой. Это изделие поставляется укомплектованным силовым кабелем с вилкой, имеющей контакт заземления.
- Для компрессоров, монтируемых в шкафах, кабель питания следует прокладывать через отверстие, выполненное в задней стенке шкафа.
- оетка должна находиться в легкодоступном месте, чтобы в экстренной ситуации можно было безопасно отключить устройство от сети.
- Сила тока, поступающего из распределительного шкафа, не должна превышать 16 А.



Опасность поражения электрическим током.

Убедитесь, что полностью соблюдены все местные электротехнические правила и нормы. Напряжение и частота электросети должны соответствовать данным, указанным на этикетке устройства.



Существует риск возгорания и поражения электрическим током.

Любой поврежденный электрический шнур или воздушный шланг необходимо немедленно заменить.



Существует риск возгорания и поражения электрическим током.

Электрический кабель не должен контактировать с горячими компонентами компрессора.

- Подключите контакт (\varnothing 6 мм) (1) для эквипотенциального соединения к электрической сети, используя метод, указанный в действующих нормативных актах в области электротехники.
- Розетка для эквипотенциального соединения (2) — это дополнительная принадлежность, она не входит в базовый комплект поставки.



Рис. 11: Эквипотенциальное соединение

- Присоедините заземляющий провод к дверце и приверните ее к шкафу.

Подключение источника питания

Напряжение питания	Тип провода
230V/50 (60) Hz	3Gx1.5x4000
400V/50 (60) Hz	5Gx1.5x4000

13.1. Подключение компрессора, не установленного в шкаф

- Вставьте вилку в розетку номинального напряжения.
- Компрессор готов к эксплуатации.

13.2. Подключение компрессора, установленного в шкаф

- Выведите вилку сетевого шнура через отверстие в задней стенке шкафа. (Рис. 12)
- Подключите шкаф к компрессору, вставив поставляемый в комплекте шнур питания со штекером в розетку. (Рис. 13)
- Отключите шкаф от компрессора, открыв защелку и вынув штекер из розетки.



Рис. 12: Проем в задней стенке шкафа



Рис. 13: Подключение шкафа к компрессору

14. ПЕРВЫЙ ЗАПУСК УСТРОЙСТВА

- Убедитесь, что сняты транспортные стабилизаторы.
- Проверьте все соединения шлангов сжатого воздуха (См. Главу 12).
- Убедитесь, что компрессор надлежащим образом подключен к источнику питания (См. Главу 13).
- Убедитесь, что переключатель находится в положении «I» (ВКЛ.). Если переключатель (2) находится в положении «0» (ВЫКЛ.), установите его в положение «I» (ВКЛ.) (Рис. 14).

- Для компрессоров, устанавливаемых в шкафу: поверните выключатель (4) на передней стенке шкафа в положение I. Зеленый сетевой индикатор указывает, что устройство работает (Рис. 14).
- Проверьте подключение разъема на шкафу к компрессору. (Рис. 13).
- Проверьте подключение шланга манометра шкафа к пневматическому блоку компрессора (Рис. 9).
- Убедитесь, что шланг системы автоматического слива конденсата присоединен к сборному резервуару (Рис. 10).

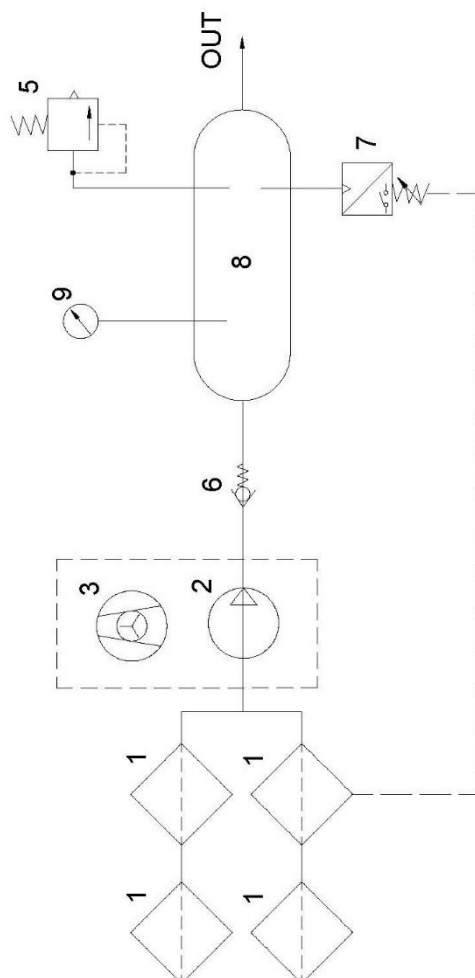


Компрессор не укомплектован резервным источником питания.

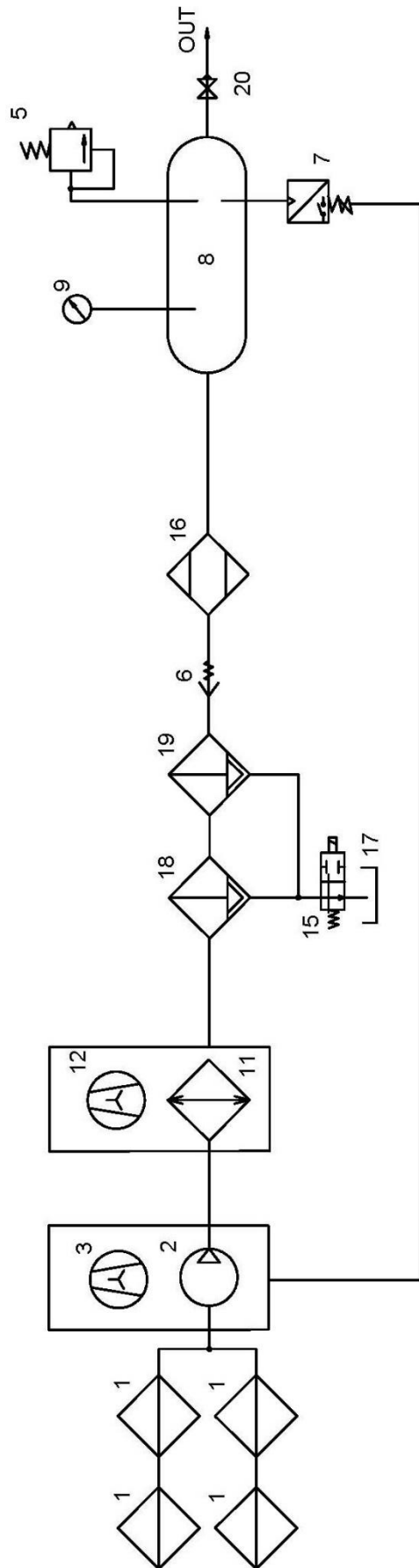
15. ПНЕВМАТИЧЕСКИЕ И ЭЛЕКТРИЧЕСКИЕ СХЕМЫ

15.1. Схема воздушной системы

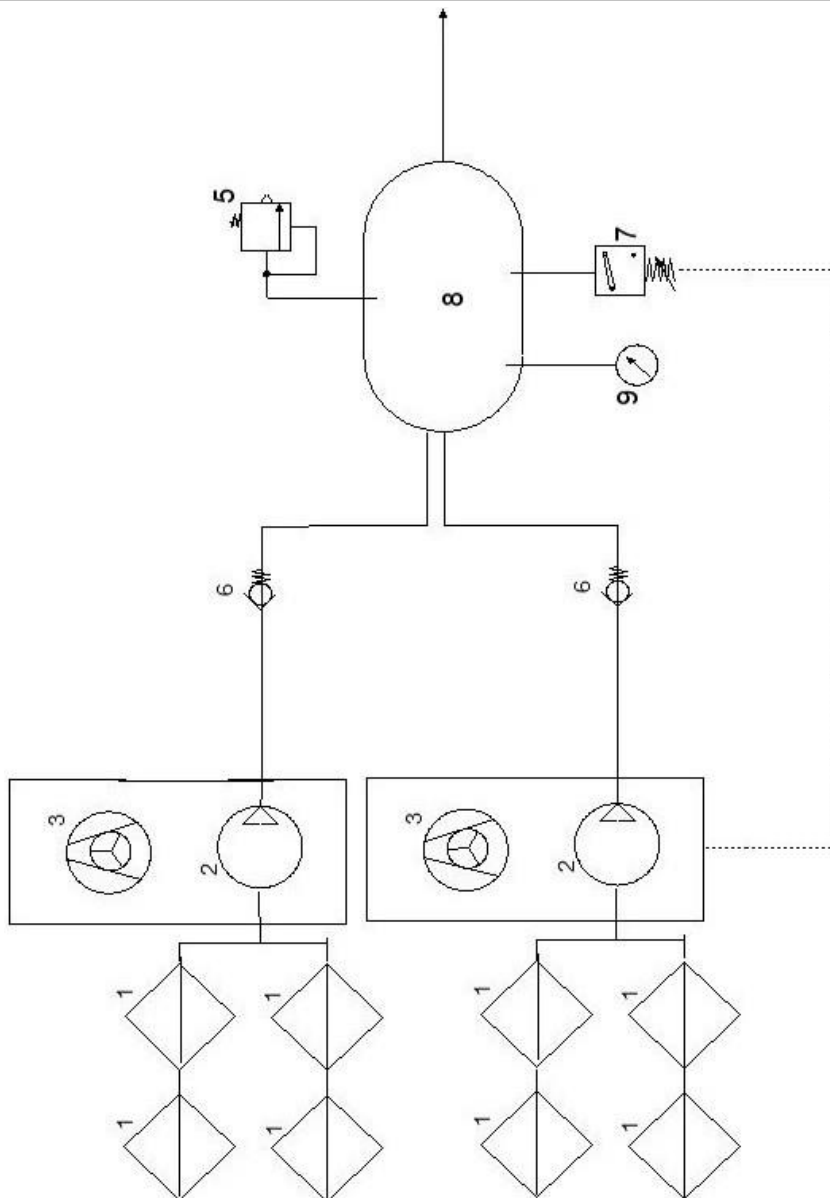
DK50 4VR/50



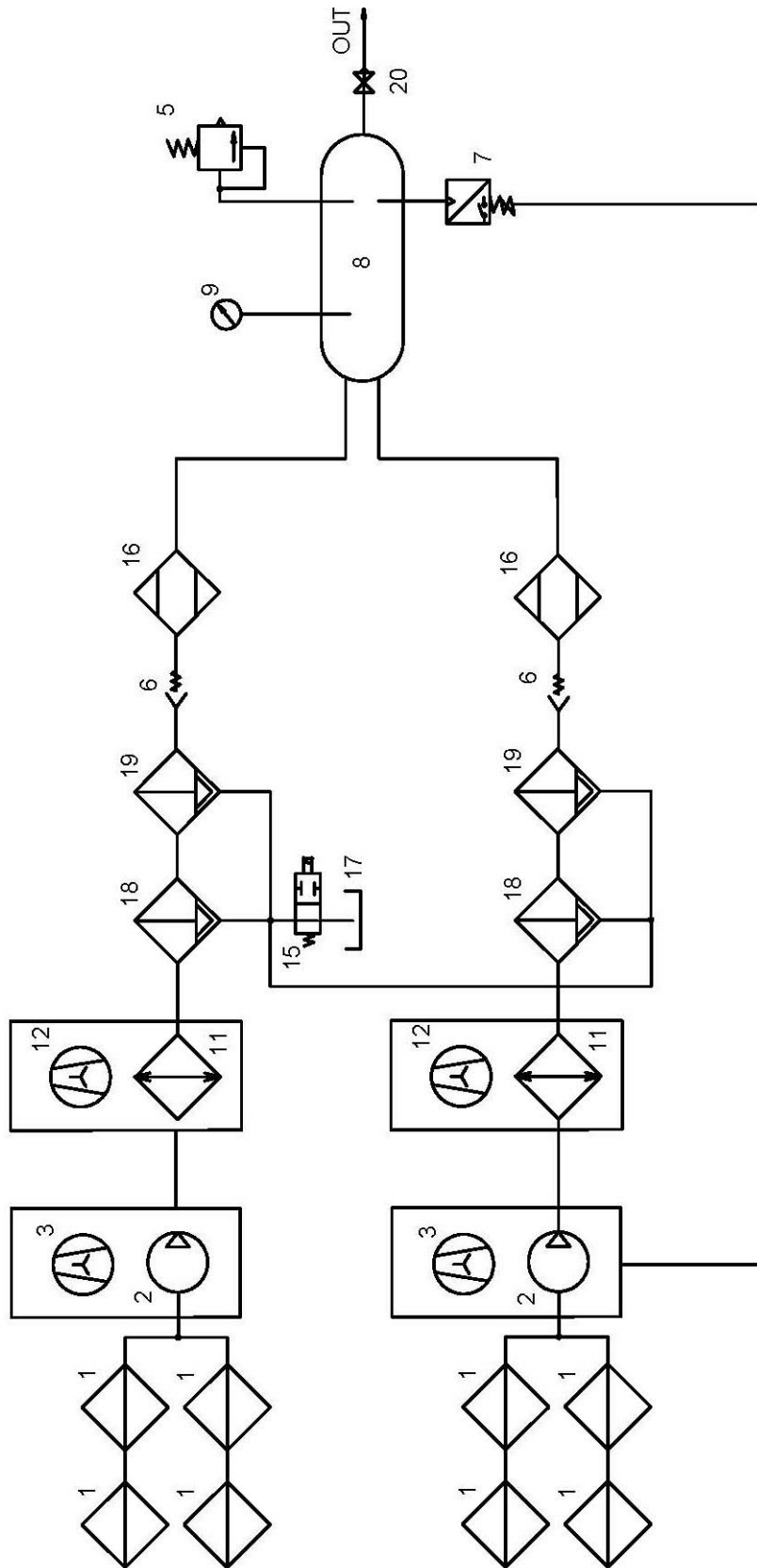
DK50 4VR/50/M



DK50 2x4VR/110



DK50 2x4VR/110/M



Условные обозначения на схеме циркуляции сжатого воздуха:

- | | |
|----------------------------|---|
| 1 Всасывающий фильтр | 11 Охладитель |
| 2 Агрегат | 12 Кулер вентилятор |
| 3 Вентилятор компрессора | 13 – |
| 4 - | 14 – |
| 5 Предохранительный клапан | 15 Электромагнитный клапан слива конденсата |
| 6 Обратный клапан | 16осушитель |
| 7 Реле давления | 17 Резервуар для сбора конденсата |
| 8 Ресивер | 18 Фильтр |
| 9 Манометр | 19 Микрофильтр |
| 10 - | |

15.2. Схема электрических соединений

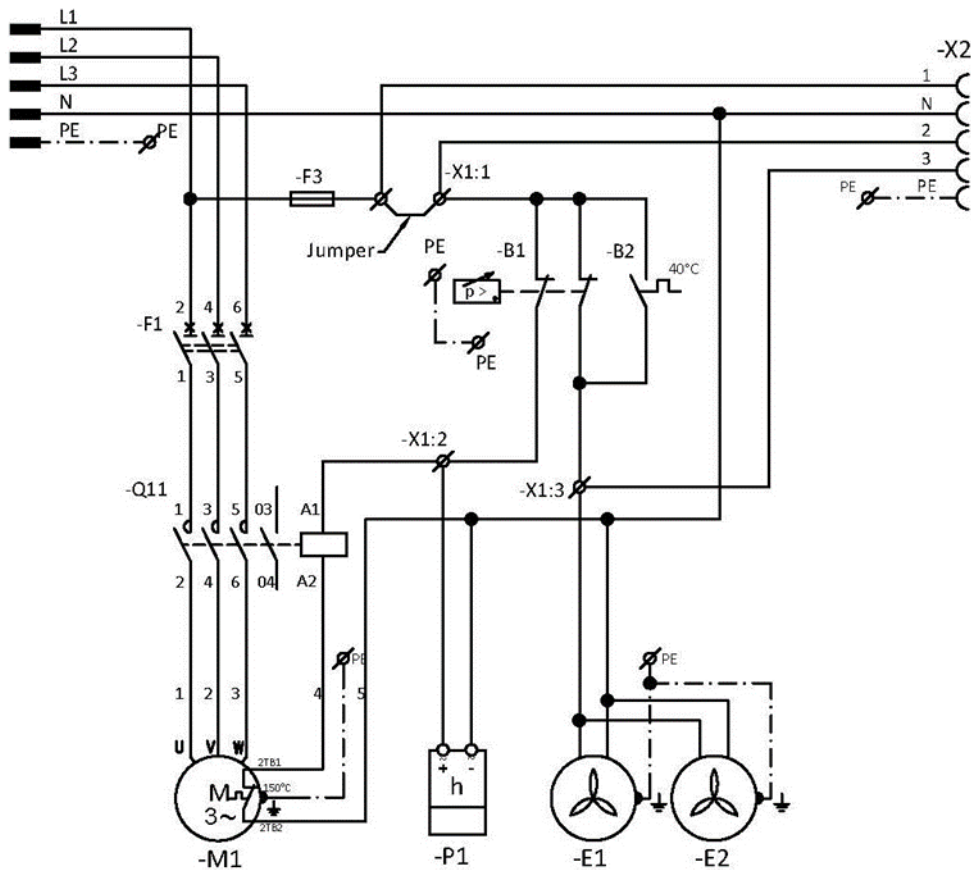
DK50 4VR/50

6 - 8 bar, 8 – 10 bar

3/N/PE-400 В, 50 Гц

СЕТЬ TN-S (TN-C-S)

ЭЛЕКТРИЧЕСКИЙ ОБЪЕКТ 1-й КАТЕГОРИИ



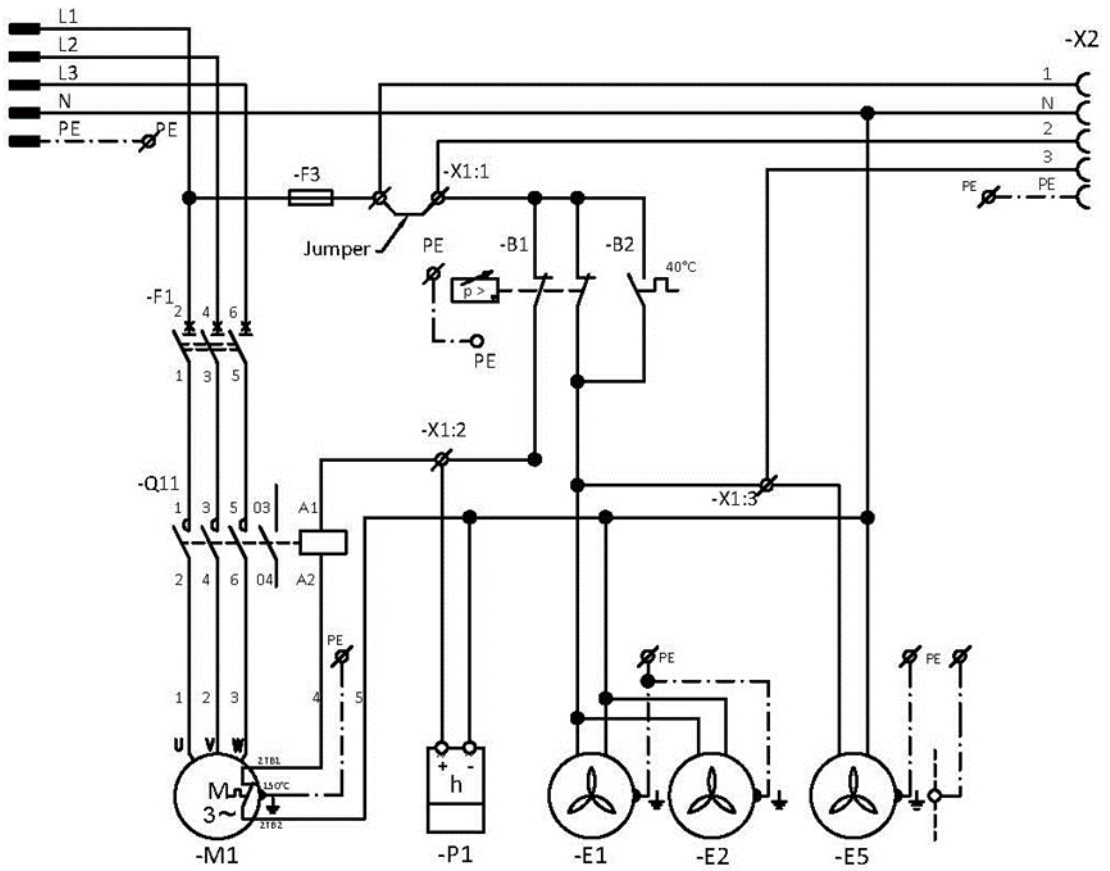
DK50 4VR/50/M

6 - 8 bar, 8 - 10 bar

3/N/PE~400 В, 50 Гц

СЕТЬ TN-S (TN-C-S)

ЭЛЕКТРИЧЕСКИЙ ОБЪЕКТ 1-й КАТЕГОРИИ



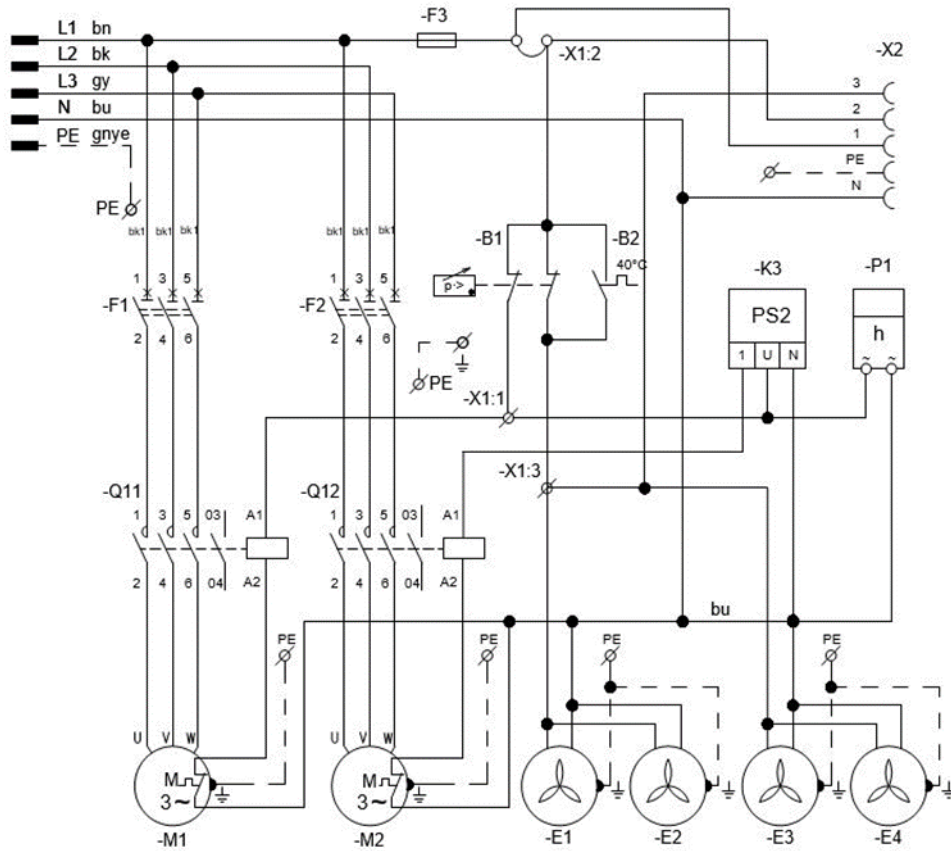
DK50 2x4VR/110

6 - 8 bar, 8 - 10 bar

3/N/PE~400 В, 50 Гц

СЕТЬ TN-S (TN-C-S)

ЭЛЕКТРИЧЕСКИЙ ОБЪЕКТ 1-й КАТЕГОРИИ



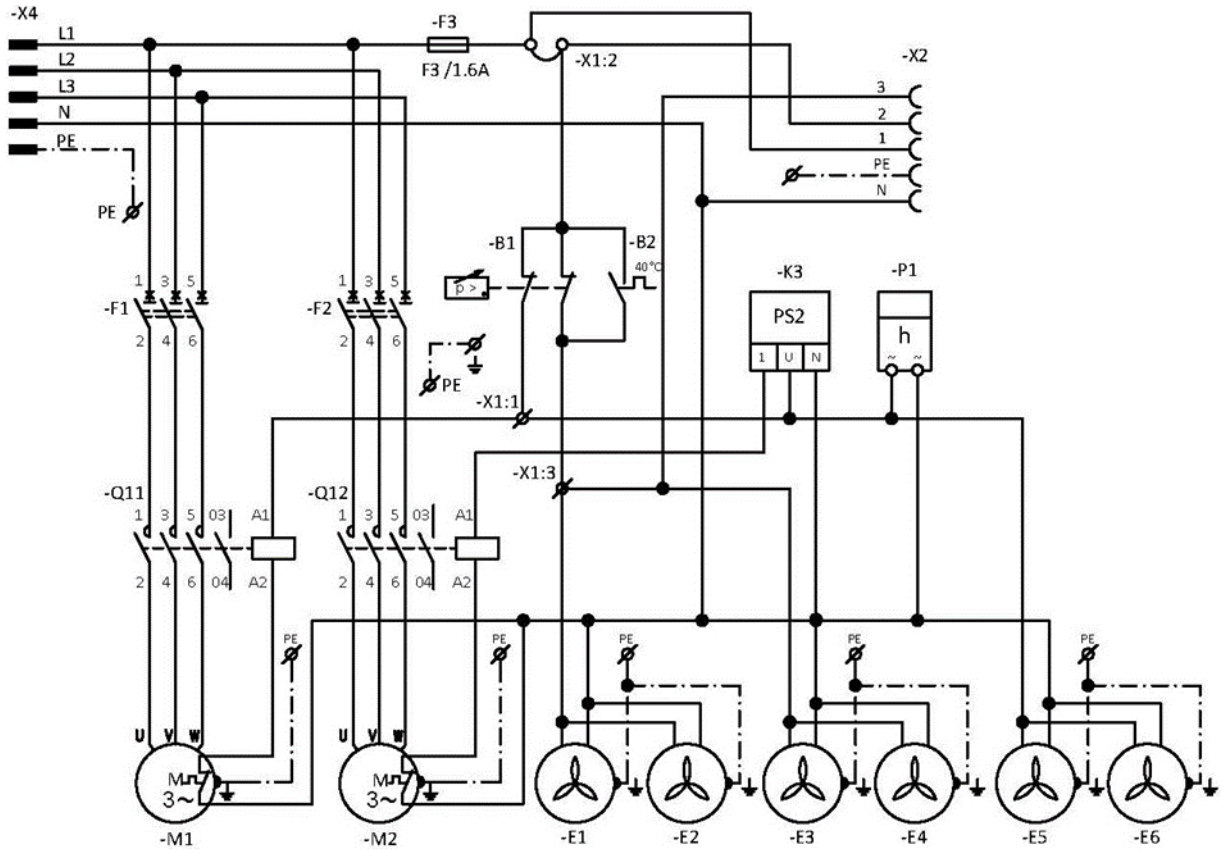
DK50 2x4VR/110/M

6 - 8 bar, 8 - 10 bar

3/N/PE~400 В, 50 Гц

СЕТЬ TN-S (TN-C-S)

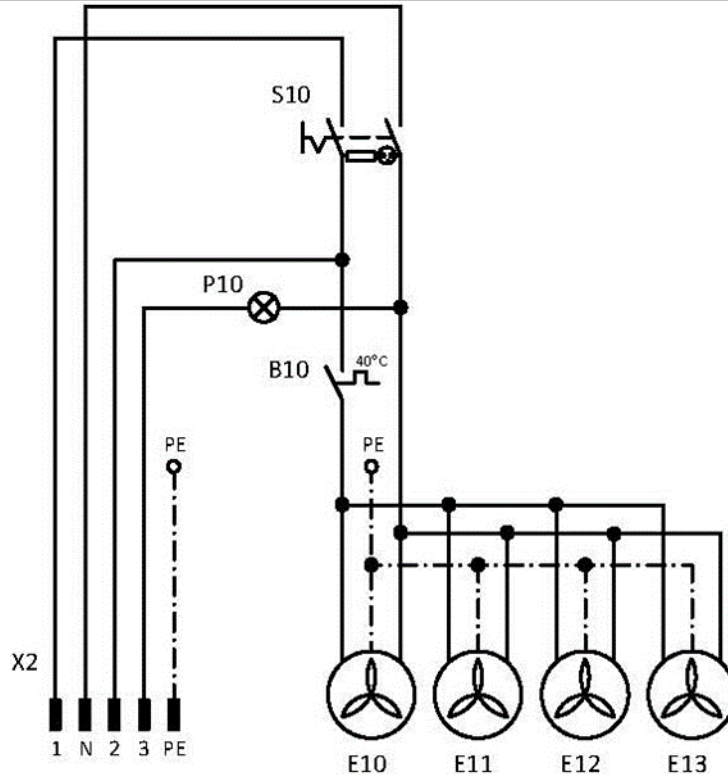
ЭЛЕКТРИЧЕСКИЙ ОБЪЕКТ 1-й КАТЕГОРИИ



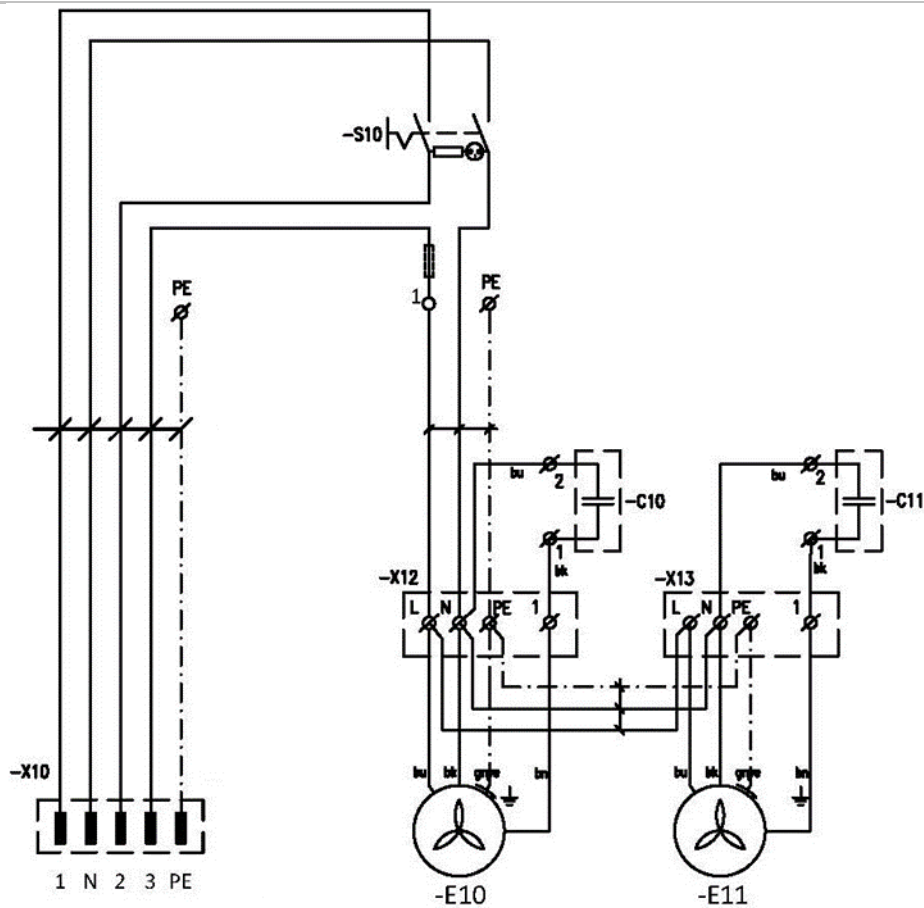
Шкаф компрессора

1/N/PE ~ 230 В 50/60 Гц

ЭЛЕКТРИЧЕСКИЙ ОБЪЕКТ 1-й КАТЕГОРИИ



DK50 4VR/50



DK50 2x4VR/110

Условные обозначения на электрической схеме:

M1, M2	Двигатель компрессора	X1	Клемма с предохранителем
E1 – E4	Вентилятор компрессора	X2	Соединитель
F3	Предохранитель	M11, M12	Электромагнитный клапан
F1, F2	Прерыватель	E5 – E8	Вентилятор охладителя
K3	Печатная плата	S10	Переключатель
B1	Реле давления	E10-13	Вентилятор коробки
B2	Тепловой выключатель	X10, X11	Пробка
Q11,12	Замыкатель	P10	Индикатор обслуживания
P1	Счетчик часов	B10	Температурное реле шкафчика

ЭКСПЛУАТАЦИЯ

К РАБОТЕ С УСТРОЙСТВОМ ДОПУСКАЕТСЯ ТОЛЬКО ОБУЧЕННЫЙ ПЕРСОНАЛ!



Опасность поражения электрическим током.

В экстренной ситуации отключите компрессор от электросети (выньте вилку сетевого шнура из розетки).



Опасность ожогов или возгорания.

Участки агрегата и компонентов сжатого воздуха между агрегатом могут нагреваться до опасных температур, что может привести к повреждению материалов или причинению вреда обслуживающему персоналу.



Предупреждение: Компрессор управляется автоматически.

Автоматический запуск. Когда давление в ресивере понижается до нижнего предела, компрессор автоматически включается. Компрессор автоматически выключается, когда давление в ресивере достигает уровня отключения.



Возможно повреждение пневматических компонентов.

Параметры рабочего давления для реле давления, заданные производителем, невозможно изменить. Работа компрессора при рабочем давлении ниже уровня включения свидетельствует о большом потреблении воздуха подключенным устройством (см. раздел «СРЕДСТВА И МЕТОДЫ УСТРАНЕНИЯ ПРОБЛЕМ»).



Необходимая степень осушения воздуха достигается только при указанных условиях эксплуатации.

Степень осушения воздуха (и, соответственно, температура конденсации) снижается, если рабочее давление не достигает минимального.



При длительной работе компрессора температура внутри моделей с корпусом может превысить 40 °С. При этом автоматически включаются охлаждающий вентилятор в корпусе и вентилятор компрессора. Вентиляторы останавливаются автоматически, когда температура окружающего пространства опускается ниже 32 °С.

16. ВКЛЮЧЕНИЕ КОМПРЕССОРА

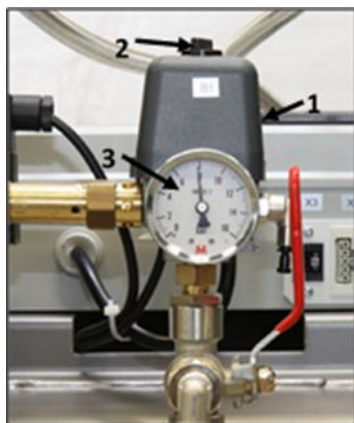
Запустите компрессор (без шкафа), повернув переключатель (2) на реле давления (1) в положение «I». В результате компрессор будет запущен, а бак заполнен до уровня выключающего давления, после чего компрессор отключится.

Запустите компрессор (со шкафом), повернув выключатель (4) на передней стороне шкафа. Индикатор начнет светиться зеленым цветом. В результате компрессор будет запущен, а бак заполнен до уровня выключающего давления, после чего компрессор отключится.

Затем компрессор будет работать в автоматическом режиме; реле давления будет включать и выключать его в зависимости от потребления сжатого воздуха.

Значения уровней давления включения и выключения можно проверить на манометре (3). Допускается погрешность до $\pm 10\%$. Давление воздуха в ресивере не должно превышать допустимое рабочее давление.

Рис. 14: Включение компрессора



Риск повреждения частей пневматической системы.

Переключатель давления (1) настроен производителем, его параметры может изменять только квалифицированный технический специалист, прошедший обучение у производителя.

17. ВЫКЛЮЧЕНИЕ КОМПРЕССОРА

- Чтобы выключить компрессор для выполнения технического обслуживания или по другой причине, поверните переключатель (2) на реле давления (1) в положение 0 (Рис. 14) и **выньте вилку из розетки электросети**. В результате компрессор будет отсоединен от источника питания
- Стравите давление в воздухосборнике до нулевой отметки, открыв спускной клапан.

ТЕХНИЧЕСКОЕ ОБСЛУЖИВАНИЕ

18. ТЕХНИЧЕСКОЕ ОБСЛУЖИВАНИЕ



Оператор должен регулярно проверять устройства с интервалами, определенными в действующих правилах. Результаты проверок следует оформить документально.

Оборудование спроектировано и произведено таким образом, чтобы свести техническое обслуживание к минимуму. Чтобы обеспечить надлежащую и надежную работу компрессора, необходимо выполнить описанные ниже работы.



Опасность несанкционированного вмешательства.

Ремонтные работы, выходящие за рамки стандартного технического обслуживания (см. Раздел 18.1), должен осуществлять только квалифицированный технический специалист (организация, уполномоченная производителем) или представитель производителя.

Работы по стандартному техническому обслуживанию (см. Раздел 18.1) должен осуществлять только обученный персонал оператора.

Используйте только утвержденные производителем запасные части и принадлежности.



Опасность травмирования персонала или повреждения оборудования.

Прежде чем приступить к техническому обслуживанию компрессора:

- проверьте, можно ли отключить компрессор от соответствующего устройства-потребителя, чтобы исключить риск травмирования лиц, использующих это устройство, и избежать материального ущерба;
- выключите компрессор;
- отключите его от электрической сети, вынув вилку из розетки;
- стравите давление из ресивера.



Стравливание давления представляет опасность травмирования.

При стравливании давления из линии сжатого воздуха (ресивера) и камеры осушителя необходимо защищать глаза, например защитными очками.



Опасность получения ожогов.

Во время работы компрессора компоненты агрегата сильно нагреваются и остаются горячими некоторое время после его выключения, поэтому не прикасайтесь к ним.



Если в процессе обслуживания заземляющий контакт был отсоединен, подсоедините его обратно по окончании работ.

- Для любых работ по техобслуживанию или ремонту компрессор можно извлечь из шкафа, вытянув его оттуда (при помощи роликов, на расстояние, на которое позволяет его вытянуть длина шнура между компрессором и шкафом). См. также главу 18. После этого можно провести необходимые работы по обслуживанию или ремонту.
- Если отсоединить шнур, связывающий компрессор и шкаф (вынуть вилку из розетки, глава 13.2), компрессор не будет работать. Чтобы вернуть компрессор в рабочее состояние, следуйте инструкциям в главе 13.2, 18.10 Или 18.11.

18.1. Периодичность технического обслуживания

Интервал	50 Гц	Раз в день	Раз в неделю	Раз в год	Раз в 2 года	2000 ч	4000 ч	6000 ч	8000 ч	10000 ч	12000 ч	20000 ч	Раздел	Комплект запчастей	Исполнитель
Эксплуатационная проверка изделия		x											18.2	-	
Слив конденсата из воздухооборника (при высокой относительной влажности - Освобождение резервуара от конденсата		x											18.5	-	
Слив конденсата из воздухооборника (при нормальной относительной влажности			x										18.5	-	
Функциональная проверка изделия			x										9	-	
Проверка соединений на утечки и осмотр устройства				x									18.3	-	
Проверка электрических соединений				x									18.4	-	
Проверка охладителя и вентилятора				x									18.9	-	
Проверка предохранительного клапана				x									18.6	-	
фильтра и фильтра предварительной очистки 4VR ^{а)}					x								18.7	025200139-000 025200150-000	

а) Данные указаны в часах. Если же такие данные недоступны, время будет указано в годах.
 б) После каждой неполадки осушителя проверить действие предохранительного клапана осушителя
 в) в зависимости от того, что наступит ранее: 4 года / 8000 часов
 д) в зависимости от того, что наступит ранее: 8 лет / 20 000 часов

Интервал	50 Гц	Раз в день	Раз в неделю	Раз в год	Раз в 2 года	4000 ч	6000 ч	8000 ч	10000 ч	12000 ч	16000 ч	20000 ч	24000 ч	Раздел	Комплект запчастей	Исполнитель
Регулярная проверка в соответствии с EN 62353				x										18	-	
Замена фильтрующего элемента в фильтре осушителя				x										18.8	025200305-000	

a) Данные указаны в часах. Если же такие данные недоступны, время будет указано в годах.

b) После каждой неполадки осушителя проверьте действие предохранительного клапана осушителя

c) в зависимости от того, что наступит ранее: 4 года / 8000 часов

d) в зависимости от того, что наступит ранее: 8 лет / 20 000 часов

18.2. Эксплуатационные проверки

- Проверьте состояние узлов — они должны нормально функционировать без излишних вибрации и шума. В случае выявления проблемы устраните ее или обратитесь к обслуживающему персоналу.
- Визуально осмотрите вентиляторы — они должны работать вместе с узлами. В случае выявления проблемы устраните ее или обратитесь к обслуживающему персоналу.
- Проверьте силовую кабель и пневматические шланги на предмет повреждений. Замените поврежденные компоненты или обратитесь к обслуживающему персоналу.
- Проверьте температуру окружающей среды — она должна быть ниже предельного значения (40 °C). В противном случае охладите помещение.
- Для компрессора с осушителем: открутите крышку на резервуаре для сбора конденсата и слейте конденсат.
- Проверьте условия эксплуатации оборудования (см. Раздел 18.4).

18.3. Проверка соединений для сжатого воздуха на предмет утечки и осмотр оборудования

Проверка на наличие утечки

- Проверьте герметичность линий подачи сжатого воздуха при работе, когда компрессор подает давление.
- Чтобы проверить все соединения на предмет утечки, воспользуйтесь соответствующим анализатором или мыльной водой. В случае выявления утечки затяните соответствующие соединения или поменяйте в них уплотнение.

Проверка оборудования

- Проверьте узел компрессора на предмет нормальной работы и уровня шума.
- Проверьте работу вентиляторов: вентиляторы должны работать в течение определенных рабочих циклов компрессора.
- Проверьте работу температурного переключателя (B2): разогрейте температурный переключатель до уровня выше 40 °C (например, с помощью теплового фена), стараясь не расплавить пластиковые элементы вокруг него. Если компрессор подсоединен к источнику питания, вентилятор E1,E3 запустится, как только температура достигнет отметки в 40 °C.
- Проверьте состояние фильтра: фильтры должны быть целыми и достаточно чистыми.
- Проверьте состояние самого агрегата и убедитесь, что картер не загрязнен изнутри, а коленчатый вал не люфтит.
- При выявлении любых неполадок замените все дефектные части.
- В случае необходимости замените дефектные элементы.
- Проверьте условия эксплуатации оборудования (см. Раздел 18.4).

18.4. Проверка электрических соединений



Опасность поражения электрическим током.

Проверку электрических соединений необходимо выполнять при отключенном питании.

- Проверьте механическую работу основного переключателя.

- Убедитесь, что силовой кабель и подсоединенная проводка не повреждены.
- Визуально осмотрите соединение отдельных кабелей с клеммной колодкой.
- Осмотрите все винтовые зажимы на проводнике общего заземления желто-зеленого цвета.

18.5. Слив конденсата

Компрессоры

При обычной эксплуатации рекомендуется сливать конденсат из напорного резервуара. Отключите компрессор от электросети. Уменьшите давление в устройстве до 1 бар или меньше, выпустив воздух через подключенное устройство. Вставьте шланг, входящий в базовый комплект поставки, в сливной кран. Расположите резервуар под шлангом и слейте конденсат из резервуара, открыв выпускной клапан (1).

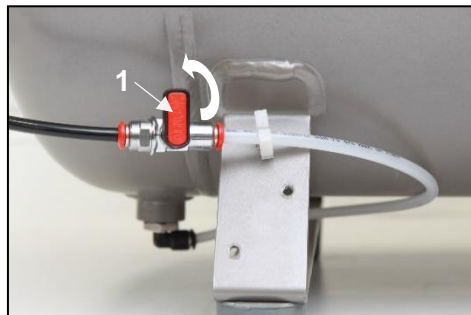


Рис. 15: Слив конденсата



Медленно и аккуратно откройте сливной клапан. Быстрое открытие сопровождается громким звуком и неконтролируемым выбросом скопившегося конденсата.



При переполнении резервуара возникает опасность поскользнуться на мокром полу.

Модели компрессоров без осушителя могут быть оборудованы системой автоматического слива конденсата, позволяющей сливать его без участия оператора.

Компрессоры с осушителем

Конденсат из компрессоров с осушителями воздуха автоматически сливается в соответствующий резервуар.



Рис. 16: Проверка резервуара для сбора конденсата



Отслеживайте уровень в резервуаре, руководствуясь отметками (в зависимости от объема резервуара), и сливайте конденсат не реже одного раза в день.



Прежде чем приступить к любым проверкам, выполните указанные ниже действия:

- Компрессоры со шкафом: отоприте дверной замок и откройте дверцу шкафа.

18.6. Проверка предохранительного клапана

- Поверните винт (2) предохранительного клапана (1) на несколько оборотов влево, пока воздух не начнет выходить через клапан.
- Стравливайте воздух через предохранительный клапан лишь несколько секунд.
- Закройте клапан, повернув винт (2) вправо до упора.



Рис. 17: Проверка предохранительного клапана



Повреждение предохранительного клапана может привести к повышению давления до опасных уровней.

Никогда не используйте предохранительный клапан для сброса давления в ресивере. Это может повредить предохранительный клапан. Максимально допустимое давление для клапана настроено производителем.

Регулировка запрещена!



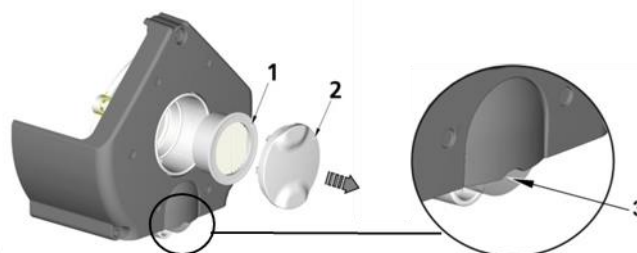
Сбрасываемый сжатый воздух может нанести травму.

При проверке предохранительного клапана следует использовать защитные очки.

18.7. Замена всасывающего фильтра агрегата

Замена входного фильтра:

- Рукой снимите резиновую заглушку (2).
- Извлеките загрязненный входной фильтр (1).
- Вставьте новый фильтр и установите резиновую заглушку.



Замена фильтра предварительной очистки:

- Рукой извлеките фильтр (3) предварительной очистки.
- Замените его новым фильтром и установите его на место.

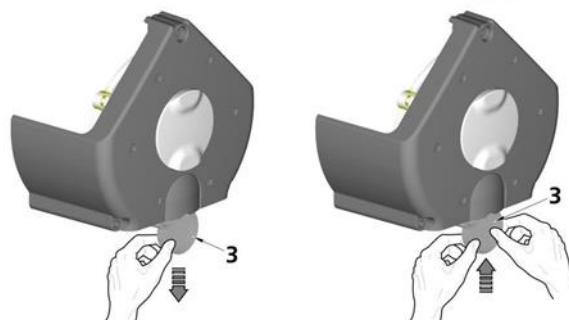


Рис. 18: Замена всасывающего фильтра

18.8. Замена фильтрующего элемента

- Отсоедините шланг (1) от быстросъемного соединителя.

- С помощью ключа (2) отвинтите контейнер фильтра (3) и снимите его.
- Потяните за фильтрующий элемент (4), чтобы вынуть его.
- Вставьте новый фильтрующий элемент.
- Поставьте на место контейнер фильтра.
- Аккуратно закрепите контейнер фильтра с помощью ключа.
- Снова подсоедините шланг к быстросъемному соединителю.



Рис. 19: Замена фильтрующего элемента

18.9. Проверка охладителя и вентилятора

Чтобы обеспечить эффективное осушение, необходимо содержать в чистоте оборудование, особенно вентилятор компрессора, вентилятор охладителя и охладитель. Удаляйте пыль с поверхности вентиляторов и ребер охладителя пылесосом или продувайте их сжатым воздухом.

18.10. Процедура подключения компрессора, отсоединенного от шкафа



Перед любым техническим обслуживанием или ремонтом компрессор необходимо выключить и отсоединить от сети (вытащить сетевой штепсель из розетки).

Для правильной работы компрессора (без шкафа) в клеммной колодке обязательно должна быть установлена перемычка (Рис. 20 поз С, D, Рис. 21 поз D). Она заменяет переключатель на шкафу.



Если в клеммной колодке компрессора (отсоединенного от шкафа) нет перемычки, компрессор работать не будет!

Если отсоединить шнур, соединяющий компрессор и шкаф (вынуть вилку из розетки), и извлечь компрессор из шкафа, он не будет работать. По этой причине необходимо сначала создать соединение в клеммной колодке при помощи перемычки (заменив им функцию автоматического выключателя) (Рис. 20 поз А,В, Рис. 21 поз А).

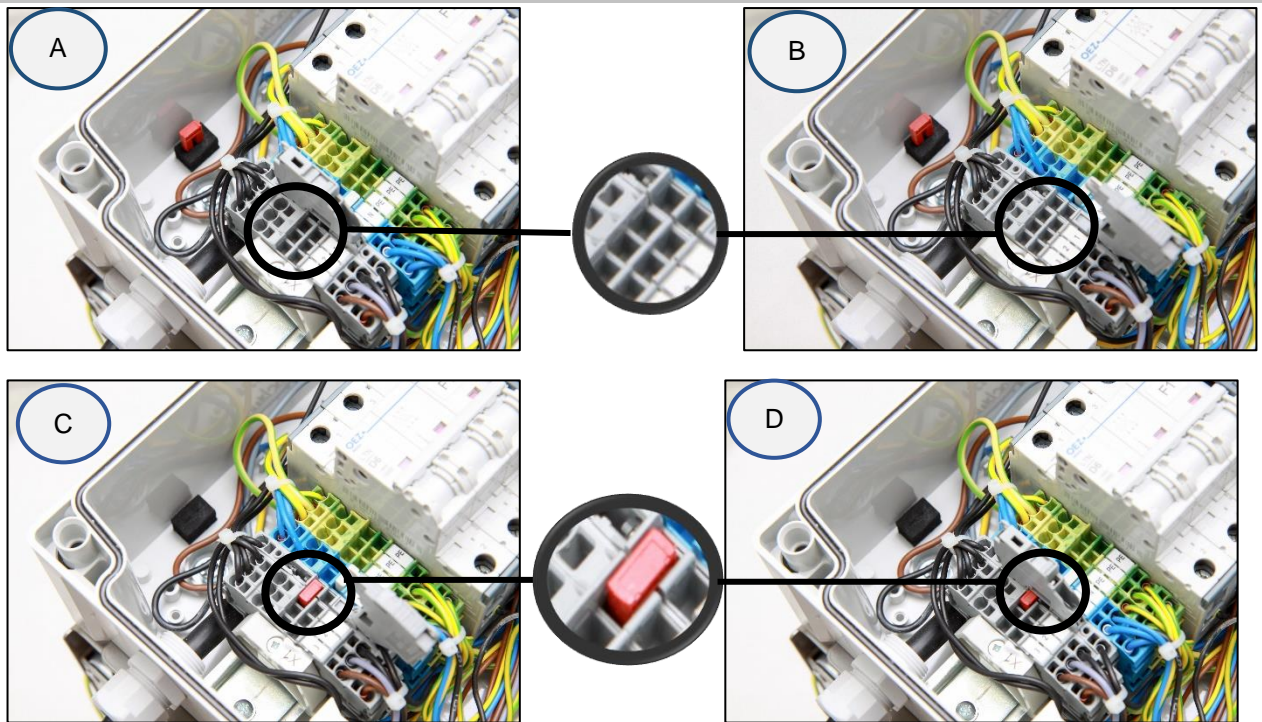
ПРОЦЕСС:

Установка перемычки (процесс А-В-С-Д)

- Отключите изделие от электрической сети, вынув вилку из розетки.
- Снимите крышку электрической панели (на компрессоре).
- Перемычка не установлена в клеммную колодку – А.
- Поднимите крышку гнезда для предохранителя – В.

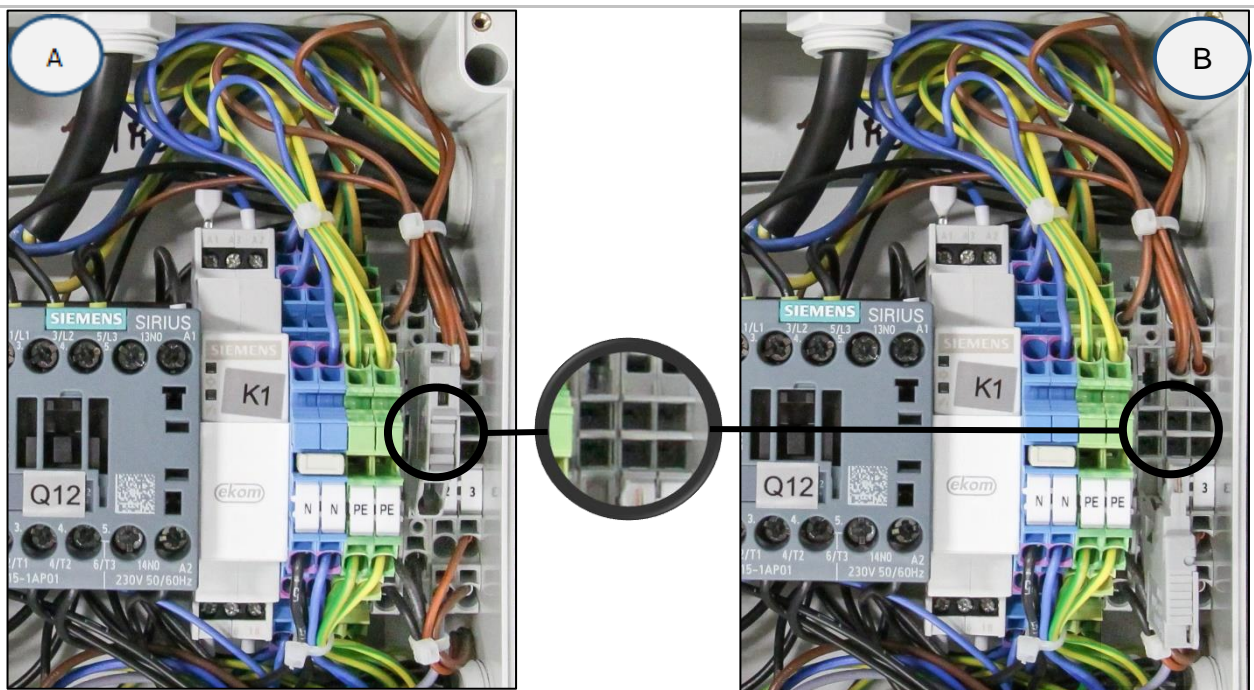
- Вставьте перемычку в клеммную колодку – С.
- Закройте крышку гнезда для предохранителя – D.
- Установите на место крышку электрической панели.
- Подключите устройство к электросети.
- Запустите компрессор с помощью выключателя на реле давления.

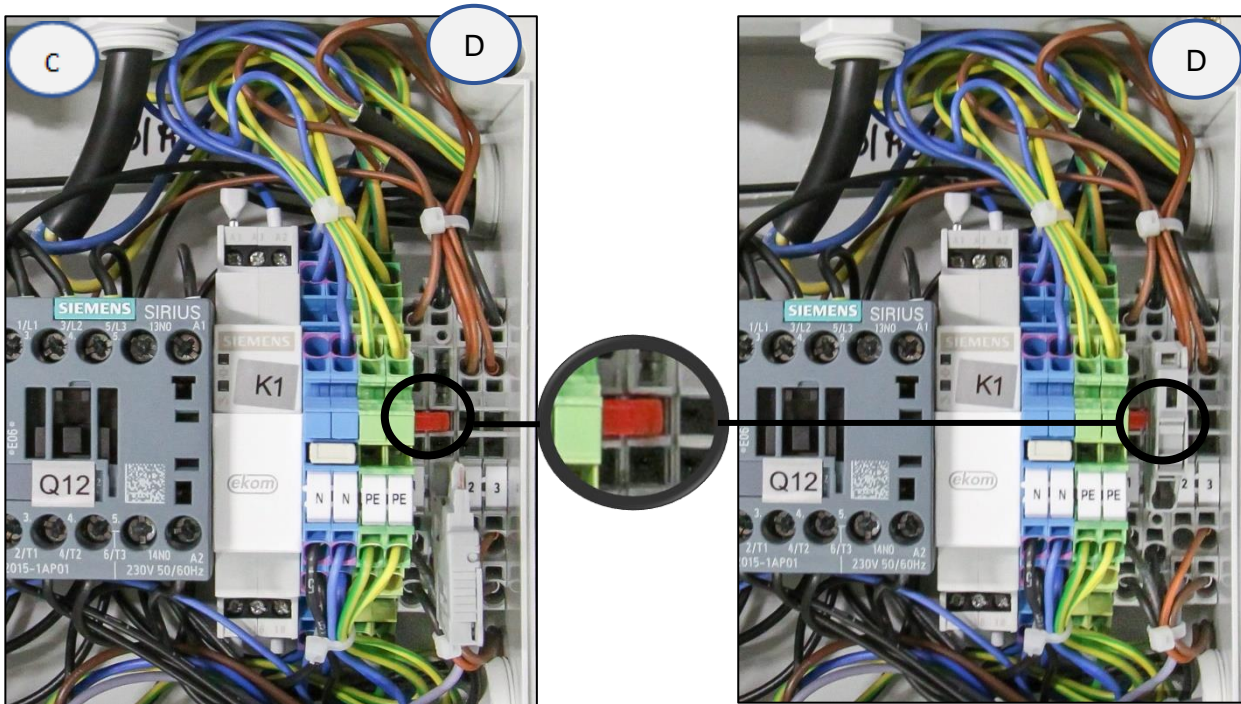
Рис. 20: DK50 4VR/50



400V

Рис. 21: DK50 2x4VR/110





400 V

18.11. Процедура подключения компрессора к новому шкафу



Перед любым техническим обслуживанием или ремонтом компрессор необходимо выключить и отсоединить от сети (вытащить сетевой штепсель из розетки).

Для правильной работы компрессора, установленного в шкафу, требуется, чтобы в клеммную колодку не была вставлена перемычка (Рис. 20 поз. А,В, Рис. 21 поз.А). Переключатель на шкафу включает и выключает все изделие, в том числе компрессор.



Если в клеммной колодке компрессора, подключенного к шкафу, установлена перемычка, выключатель в шкафу компрессора работать не будет!

Если нужно подключить новый шкаф к компрессору, который до этого работал самостоятельно (без шкафа), необходимо отключить соединение в клеммной колодке компрессора с помощью описанных ниже действий (Рис. 20, Рис. 21). (См. также главы 13.1 и 13.2).

ПРОЦЕСС:

Удаление перемычки (процесс D-C-B-A)

- Отключите изделие от электрической сети, вынув вилку из розетки.
- Снимите крышку электрической панели (на компрессоре).
- Перемычка установлена в клеммную колодку – D
- Поднимите крышку гнезда для предохранителя – С
- Удалите перемычку из клеммной колодки – В
- Закройте крышку гнезда для предохранителя – А
- Установите на место крышку электрической панели.

- Вставьте компрессор в шкаф.
- Подключите шкаф к компрессору, вставив шнур питания со штекером в розетку (Рис. 13).
- Подключите устройство к электросети.
- Запустите компрессор с помощью выключателя на реле давления и выключателя (4) на шкафу (Рис. 14).

Компрессор с распределительной секцией – при работе в составе шкафа **НЕ ДОЛЖНО БЫТЬ** электрического соединения (Рис. 20 поз. А,В, Рис. 21 поз. А).

Примечание: **В случае использования компрессора без шкафа или в случае проведения технического обслуживания** перемычку, не установленную в клеммную колодку, следует держать в установленном месте возле электрической панели.

18.12. Очистка и дезинфекция внешних поверхностей изделия

Очистите и продезинфицируйте внешние поверхности при помощи химически нейтральных продуктов.



Использование агрессивных чистящих продуктов и дезинфицирующих веществ, содержащих спирт и хлориды, может привести к повреждению или изменению цвета поверхности.

19. ХРАНЕНИЕ

Если компрессор не будет использоваться в течение продолжительного времени, слейте весь конденсат из ресивера. Затем включите компрессор на 10 минут, оставив сливной кран открытым. Выключите компрессор с помощью выключателя (2) на реле давления (1) (Рис. 14), закройте сливной клапан и отсоедините устройство от электросети.

20. УТИЛИЗАЦИЯ ОБОРУДОВАНИЯ

- Отключите оборудование от электросети.
- Сбросьте давление воздуха в напорном резервуаре, открыв сливной клапан.
- Утилизируйте оборудование согласно принятым природоохранным нормам.
- Для этого обратитесь в специализированную компанию, занимающуюся сортировкой и утилизацией отходов.
- Отработанные компоненты не должны оказывать отрицательного влияния на окружающую среду.

СРЕДСТВА И МЕТОДЫ УСТРАНЕНИЯ ПРОБЛЕМ

Опасность поражения электрическим током.

Прежде чем вмешиваться в работу оборудования, отключите его от электросети (вытяните вилку из розетки).



Работа с пневматическими компонентами, находящимися под давлением, представляет опасность травмирования.

Прежде чем вмешиваться в работу оборудования, стравите давление в ресивере и системе сжатого воздуха до нуля.



К работам по устранению неисправностей следует допускать только квалифицированных специалистов по техническому обслуживанию.



Повреждение предохранительного клапана может привести к повышению давления до опасного уровня.

Запрещается регулировать предохранительный клапан.

Неисправность	Возможная причина	Способ устранения
Компрессор не запускается	В реле давления нет напряжения	Проверьте напряжение в розетке
		Проверьте предохранитель — замените неисправный
		Ослаблена клемма — подтяните
		Проверьте электрический шнур — замените неисправный
	Повреждена обмотка двигателя	Замените двигатель или его обмотку
	повреждена теплоизоляция	Замените конденсатор
Переключатель шкафа не выключает компрессор	Неисправный конденсатор	Замените поврежденные детали
	Заедание поршня или другой вращающейся детали Не включается реле давления	Проверьте работу реле давления
Компрессор включается часто	Компрессор в шкафу, ранее работавший отдельно (в клеммной колодке компрессора установлена перемычка)	Извлеките перемычку из клеммной колодки, см. главу 18.11
	Утечка воздуха из пневматической распределительной системы	Проверьте пневматическую распределительную систему — уплотните негерметичное соединение
	Нарушена герметичность обратного клапана	Прочистите клапан, замените уплотнитель, замените клапан
Чрезмерное	В напорном резервуаре чрезмерное количество конденсированной жидкости	Слейте конденсированную жидкость
	Утечка воздуха из	Проверьте пневматическую

время работы компрессора	пневматической распределительной системы	распределительную систему — уплотните негерметичное соединение
	Изношено поршневое кольцо	Замените изношенное поршневое кольцо
	Загрязнение входного фильтра и фильтра предварительной очистки	Замените загрязненные фильтры новыми
	Неисправен электромагнитный клапан	Почините или замените клапан
Компрессор шумит (стучит, издает металлические звуки)	Поврежден подшипник поршня, шатуна, подшипник двигателя	Замените поврежденный подшипник
	Ослабленная или лопнувшая пружина	Замените поврежденную пружину
Осушитель не осушает сжатый воздух (наличие водного конденсата в воздухе) *	Не работает охлаждающий вентилятор	Замените вентилятор
	Поврежденный осушитель	Проверьте источник питания Замените осушитель
	Не работает система автоматического слива конденсата	Выполните очистку или замену

) * Тщательно очистите внутренние поверхности воздушного резервуара и удалите всю конденсированную жидкость после отказа сушиллки.



Проверьте содержание влаги в воздухе, выходящем из ресивера (см. раздел ТЕХНИЧЕСКИЕ ХАРАКТЕРИСТИКИ), чтобы предотвратить повреждение подсоединенного на выходе оборудования.

21. СВЕДЕНИЯ ОБ УСЛУГАХ ПО РЕМОНТУ

Гарантийный и послегарантийный ремонт должен проводить производитель, его представитель или обслуживающий персонал, одобренный поставщиком.

Внимание!

Производитель оставляет за собой право на внесение изменений в оборудование без уведомления. Любые внесенные изменения не повлияют на функциональные свойства оборудования.

SPIS TREŚCI

WAŻNE INFORMACJE	221
1. ZGODNOŚĆ Z WYMAGANIAMI DYREKTYW UNII EUROPEJSKIEJ	221
2. PRZEZNACZENIE	221
3. PRZECIWWSKAZANIA I EFEKTY UBOCZNE	221
4. SYMBOLE	221
5. UWAGI.....	222
6. WARUNKI PRZECHOWYWANIA I TRANSPORTU.....	224
OPIS PRODUKTU	225
7. WARIANTY	225
8. AKCESORIA	226
9. FUNKCJA PRODUKTU	227
DANE TECHNICZNE	234
INSTALACJA	242
10. WARUNKI INSTALACJI	242
11. MONTAŻ SPREŻARKI	242
12. POŁĄCZENIA PNEUMATYCZNE	247
13. POŁĄCZENIE ELEKTRYCZNE	249
14. PRZYGOTOWYWANIE DO UŻYTKU	250
15. SCHEMATY PNEUMATYCZNE I ELEKTRYCZNE.....	251
OBSŁUGA	261
16. WŁĄCZANIE SPREŻARKI	262
17. WYŁĄCZENIE SPREŻARKI	262
KONSERWACJA PRODUKTU	263
18. KONSERWACJA PRODUKTU	263
19. WYŁĄCZENIE NA DŁUGI CZAS	272
20. UTYLIZACJA URZĄDZENIA	272
ROZWIĄZYWANIE PROBLEMÓW	273
21. USŁUGA NAPRAWY.....	274
ZAŁĄCZNIK	381
22. DOKUMENTACJA INSTALACJI.....	385

WAŻNE INFORMACJE**1. ZGODNOŚĆ Z WYMAGANIAMI DYREKTYW UNII EUROPEJSKIEJ**

Niniejszy produkt spełnia wymagania Rozporządzenia (UE) w sprawie wyrobów medycznych (MDR 2017/745) i jest bezpieczny do użytku zgodnie z przeznaczeniem, jeśli przestrzegane są wszystkie instrukcje bezpieczeństwa.

2. PRZEZNACZENIE

Sprężarka służy jako źródło czystego, bezolejowego sprężonego powietrza do zasilania aktywnych urządzeń medycznych, w których parametry i właściwości tego sprężonego powietrza spełniają wymagane normy.



Sprężone powietrze dostarczane przez sprężarkę nie nadaje się do użycia z urządzeniami sztucznej wentylacji płuc bez dalszej filtracji.

Jakiegokolwiek użycie tego produktu niezgodnie z przeznaczeniem jest użyciem nieprawidłowym. Producent nie ponosi odpowiedzialności za jakiegokolwiek szkody lub uszczerbki na zdrowiu wynikające z niewłaściwego użycia.

3. PRZECIWWSKAZANIA I EFEKTY UBOCZNE

Brak znanych przeciwwskazań i efektów ubocznych.

4. SYMBOLE

W instrukcji obsługi oraz na urządzeniu i opakowaniu znajdują się następujące symbole:



Ogólne ostrzeżenie



Ostrzeżenie — ryzyko porażenia prądem elektrycznym



Ostrzeżenie — sprężarka sterowana automatycznie



Ostrzeżenie — gorąca powierzchnia



Ogólna przestroga



Przeczytaj instrukcję obsługi



Odnieś się do instrukcji obsługi



Oznaczenie CE



Wyrób medyczny



Numer seryjny



Uziemienie ochronne



Zacisk do podłączenia uziemienia



Bezpiecznik



Etykieta na opakowaniu z informacją o sposobie transportu — delikatne



Etykieta na opakowaniu z informacją o sposobie transportu — tą stroną do góry



Etykieta na opakowaniu z informacją o sposobie transportu — nie moczyć



Etykieta na opakowaniu z informacją o sposobie transportu — przedział temperatur



Etykieta na opakowaniu z informacją o sposobie transportu — ograniczenie składowania w stosie



Etykieta na opakowaniu — materiał nadający się do recyklingu



Producent

5. UWAGI

Produkt został zaprojektowany i wyprodukowany tak, aby był bezpieczny dla użytkownika i otoczenia, gdy jest używany w określony sposób. Należy pamiętać o następujących ostrzeżeniach.

5.1. Ogólne ostrzeżenia

PRZED UŻYCIEM URZĄDZENIA NALEŻY DOKŁADNIE PRZECZYTAĆ NINIEJSZĄ INSTRUKCJĘ I ZACHOWAĆ JĄ DO WGLĄDU NA PRZYSZŁOŚĆ!

- Instrukcja obsługi zawiera informacje dotyczące prawidłowej instalacji, eksploatacji i konserwacji produktu. Dokładne zapoznanie się z niniejszą instrukcją dostarczy informacji niezbędnych do prawidłowej obsługi produktu zgodnie z jego przeznaczeniem.
- Oryginalne opakowanie należy zachować na wypadek zwrotu urządzenia. Tylko oryginalne opakowanie zapewnia optymalną ochronę urządzenia podczas transportu. Jeżeli w okresie gwarancyjnym urządzenie będzie trzeba zwrócić, producent nie odpowiada za szkody spowodowane jego nieprawidłowym zapakowaniem.
- Gwarancja nie obejmuje szkód, które powstały w wyniku zastosowania innego wyposażenia niż określił lub zalecił producent.
- Producent ponosi odpowiedzialność za bezpieczeństwo, niezawodność i funkcjonowanie urządzenia tylko wówczas, gdy:
 - instalację, regulacje, zmiany, rozszerzenia oraz naprawy wykonuje producent lub usługodawca autoryzowany przez producenta;
 - produkt jest używany zgodnie z instrukcją obsługi.
- technicznymi i normami bezpieczeństwa w momencie drukowania. Producent zastrzega sobie

wszelkie prawa do ochrony konfiguracji, metod i nazw produktu.

- Tłumaczenie instrukcji obsługi odbywa się zgodnie z najlepszą dostępną wiedzą. W razie wątpliwości należy odnieść się do wersji słowackiej.
- Niniejsza instrukcja obsługi jest oryginalną instrukcją. Tłumaczenie zostało wykonane zgodnie z najlepszą dostępną wiedzą.

5.2. Uwagi ogólne dotyczące bezpieczeństwa

Producent zaprojektował i wyprodukował produkt w taki sposób, aby zminimalizować wszelkie zagrożenia przy prawidłowym użytkowaniu produktu zgodnie z przeznaczeniem. Producent uważa za swój obowiązek przedstawienie następujących ogólnych uwag dotyczących bezpieczeństwa.

- Produktu należy używać zgodnie z wszelkimi przepisami i lokalnymi regulacjami obowiązującymi w miejscu użytkowania. Podmiot odpowiedzialny oraz użytkownik odpowiadają za przestrzeganie wszystkich odpowiednich przepisów w celu zapewnienia bezpiecznej pracy.
- Wyłącznie stosowanie oryginalnych części zamiennych gwarantuje bezpieczeństwo personelu obsługującego i bezbłędne działanie samego produktu. Stosować należy tylko wyposażenie oraz części zamienne wymienione w dokumentacji technicznej lub wyraźnie dopuszczone przez producenta.
- Podmiot odpowiedzialny musi zapewnić przed każdym użyciem, że urządzenie działa prawidłowo i bezpiecznie.
- Użytkownik powinien zapoznać się ze sposobem działania urządzenia.
- Urządzenia nie należy używać w środowiskach zagrożonych wybuchem.
- W razie wystąpienia jakichkolwiek problemów związanych z działaniem urządzenia użytkownik jest zobowiązany niezwłocznie powiadomić o tym fakcie dostawcę.
- Każdy poważny wypadek związany z tym urządzeniem powinien zostać zgłoszony producentowi i odpowiednim władzom kraju członkowskiego, który stanowi miejsce stałego pobytu użytkownika i/lub pacjenta.

5.3. Uwagi dotyczące ochrony przed prądem elektrycznym

- Urządzenie można podłączyć tylko do prawidłowo zamontowanego gniazda z uziemieniem.
- Przed podłączeniem produktu należy sprawdzić, czy napięcie i częstotliwość sieci wskazane na produkcie odpowiadają parametrom sieci zasilającej.
- Przed rozpoczęciem eksploatacji urządzenia należy sprawdzić, czy podłączone do niego przewody pneumatyczne i elektryczne nie mają uszkodzeń. Uszkodzone przewody pneumatyczne i elektryczne należy natychmiast wymienić.
- W sytuacjach niebezpiecznych lub w przypadku awarii technicznej należy natychmiast odłączyć urządzenie od sieci elektrycznej (wyjąć wtyczkę przewodu zasilającego z gniazda).
- Podczas wszelkich napraw i prac konserwacyjnych należy upewnić się, że:
 - wtyczka sieciowa jest wyciągnięta z gniazda sieciowego,
 - ze zbiornika powietrza i przewodów jest spuszczone ciśnienie.
- Produkt powinien być instalowany tylko przez wykwalifikowany personel.

6. WARUNKI PRZECHOWYWANIA I TRANSPORTU

Sprężarka jest przewożona od producenta w opakowaniu transportowym. Chroni ono urządzenie przed uszkodzeniem w trakcie transportu.



Możliwość uszkodzenia części pneumatycznych.

W trakcie transportu w żadnych elementach sprężarki nie może być powietrza. Przed przenoszeniem lub transportem sprężarki należy spuścić powietrze ze zbiornika, wszystkich węży ciśnieniowych i komór osuszacza oraz należy opróżnić zbiornik kondensatu i separator kondensatu w osuszaczu.



Należy zachować oryginalne opakowanie fabryczne na wypadek, gdyby zaszła konieczność zwrotu urządzenia. Sprężarkę należy transportować w oryginalnym opakowaniu, które zapewnia optymalne warunki ochrony. . Jeśli zajdzie konieczność zwrotu urządzenia w czasie obowiązywania gwarancji, producent nie odpowiada za uszkodzenia spowodowane nieprawidłowym opakowaniem.



Sprężarkę należy transportować w pozycji pionowej i zabezpieczyć pasami.



Podczas transportu i przechowywania chronić sprężarkę przed wilgocią i brudem oraz ekstremalnymi temperaturami. Nie przechowywać w pobliżu lotnych substancji chemicznych.



Jeśli opakowanie będzie niepotrzebne, należy je zutylizować w przyjazny dla środowiska sposób. Karton z opakowania można poddać recyklingowi ze starym papierem.



Przechowywanie lub transport urządzenia w jakichkolwiek innych warunkach niż opisane poniżej jest zabroniony.

6.1. Warunki otoczenia

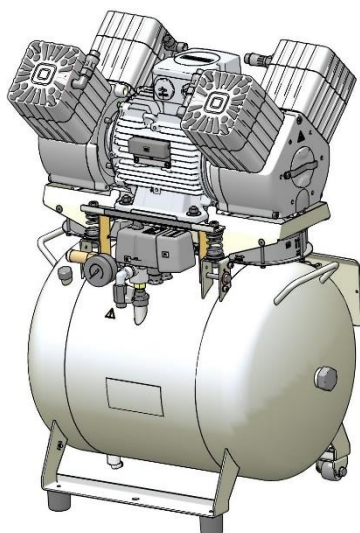
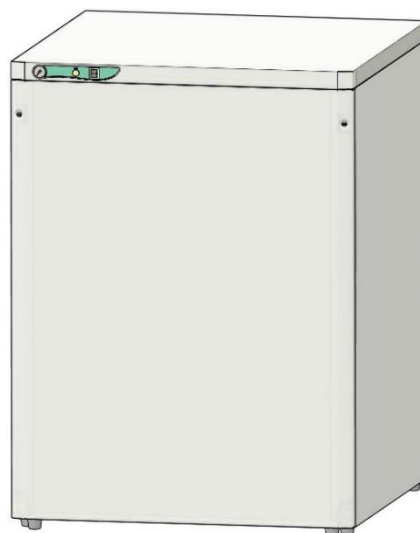
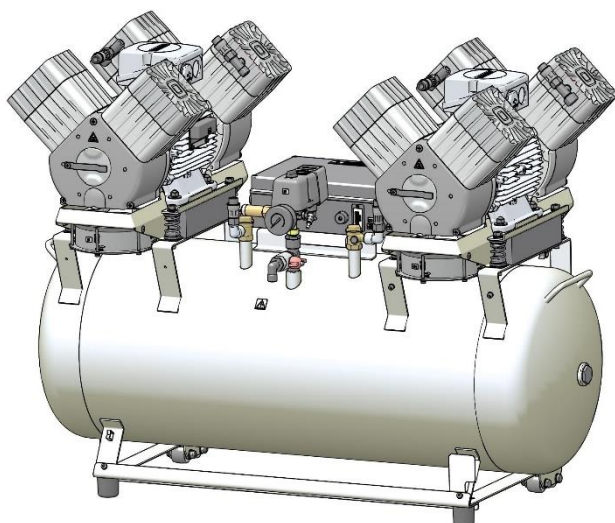
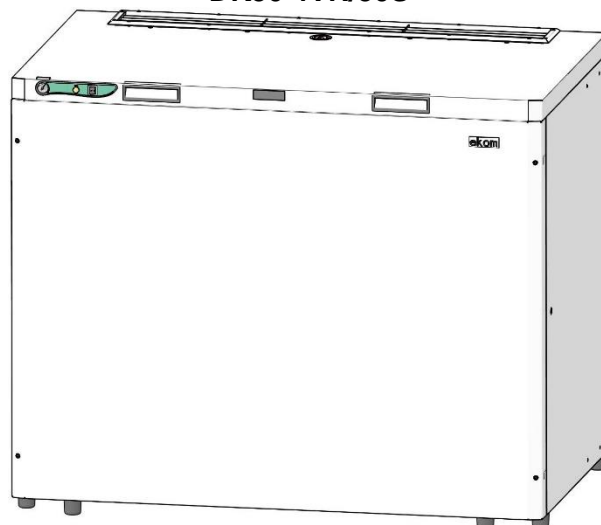
Produkt można przechowywać i transportować wyłącznie w pojazdach pozbawionych jakichkolwiek śladów lotnych substancji chemicznych w następujących warunkach:

Temperatura	Od -25°C do $+55^{\circ}\text{C}$, 24 h w temperaturze do $+70^{\circ}\text{C}$
Wilgotność względna	Maks. 90% (bez kondensacji)

OPIS PRODUKTU**7. WARIANTY**

Sprężarka jest produkowana zgodnie ze swoim przeznaczeniem w następujących wariantach:

DK50 4VR/50	Kompresor pre umiestnienie v priestoroch, kde svojou činnosťou nerušia okolie
DK50 4VR/50/M	Kompresor s membránovým sušičom vzduchu
DK50 4VR/50S	Kompresor v skrinke s účinným tlmením hluku
DK50 4VR/50S/M	Kompresor v skrinke s membránovým sušičom vzduchu
Skrinka S50R	Slúži na zníženie hladiny hluku kompresora
DK50 2x4VR/110	Kompresor pre umiestnenie v priestoroch, kde svojou činnosťou nerušia okolie
DK50 2x4VR/110/M	Kompresor s membránovým sušičom vzduchu
DK50 2x4VR/110S	Kompresor v skrinke s účinným tlmením hluku
DK50 2x4VR/110S/M	Kompresor v skrinke s membránovým sušičom vzduchu
Skrinka S110R	Slúži na zníženie hladiny hluku kompresora

**DK50 4VR/50****S50R
DK50 4VR/50S****DK50 2x4VR/110****S110R
DK50 2x4VR/110S**

8. AKCESORIA

Akcesoria, które nie są standardowo dołączone do urządzenia, należy zamówić osobno.

Automatyczny spust kondensatu

Automatyczny spust kondensatu (AOK) powoduje samoczynne odprowadzanie kondensatu ze zbiornika powietrza sprężarki w ustalonych odstępach czasu. Spust kondensatu (AOK) jest odpowiednim dodatkiem do sprężarek bez osuszacza.

Typ	Zastosowanie	Numer części
AOK 18	DK50 4VR/50	604014082-000
AOK 19	DK50 2x4VR/110	604014083-000

Zestaw filtrów sprężonego powietrza wylotowego

Sprężarkę można wyposażyć w zestaw filtrów. Zestaw ten można dodatkowo zaopatrzyć w regulator ciśnienia powietrza.



Jeśli wymagany jest inny poziom skuteczności filtracji powietrza, wymóg ten należy uzgodnić z dostawcą i dodać do zamówienia.

Typ	Zastosowanie	Skuteczność filtracji (μm)	Numer części
FS 30F		1	604014119-014
FS 30M	DK50 4VR/50	1+0,1	604014119-015
FS 30S	DK50 4VR/50/M	1+0,01	604014119-017
FS 30A		1+0,01+A**	604014119-018
FS 40F		1	604014119-000
FS 40M	DK50 2x4VR/110	1+0,1	604014119-004
FS 40S	DK50 2x4VR/110/M	1+0,01	604014119-024
FS 40AH		1+AC+HC (0,01)	604014119-005

**) A – submikrofiltr z węglem aktywowanym

Regulator do zestawu filtracyjnego

Sprężarka może mieć regulator ciśnienia na wylocie sprężonego powietrza, jeśli określono. Regulator należy wybrać na podstawie zastosowania zestawu filtracyjnego lub osobno. Regulator zapewnia stałe ciśnienie na wylocie.

Typ	Zastosowanie	Numer części
Komplet regulatora (do filtru)	DK50 4VR/50	604014130-000
REG12 (osobno)	DK50 4VR/50/M	447000001-088
Komplet regulatora	DK50 2x4VR/110	604014125-000
REG15	DK50 2x4VR/110/M	447000001-115

Uchwyty zestawu filtracyjnego



Do każdego zestawu filtracyjnego należy zamówić odpowiedni uchwyt.

Typ	Zastosowanie	Numer części
Uchwyt do montażu na sprężarce	DK50 4VR/50 DK50 4VR/50/M	603014177-000
Uchwyt do montażu na sprężarce	DK50 2x4VR/110 DK50 2x4VR/110/M	604014131-000
Uchwyt do montażu na ścianie		603014120-000

Gniazdo wyrównywania potencjałów

Gniazdo to umożliwia wyrównywanie potencjałów.

Typ	Zastosowanie	Nazwa	Numer części
POAG-KBT6-EC	DK50 4VR/50 DK50 4VR/50/M	Wtyczka do gniazda sieciowego	033400075-000
FLEXI-S/POAG-HK6	DK50 2x4VR/110 DK50 2x4VR/110/M	Przewód (1 m)	034110083-000

9. FUNKCJA PRODUKTU

9.1. Sprężarka

Agregat sprężarki (1) zasysa powietrze atmosferyczne przez filtr wejściowy (8) i zawór zwrotny (3) sprężając je w zbiorniku powietrza (2), z którego urządzenie uzyskuje sprężone powietrze. Jeżeli ciśnienie w zbiorniku powietrza spada do ciśnienia włączającego, przełącznik ciśnieniowy (4) włącza sprężarkę, a sprężarka doprowadza sprężone powietrze do zbiornika powietrza, aż osiągnie ciśnienie wyłączające, po czym sprężarka wyłącza się. Wąż ciśnieniowy jest odpowietrzany przez elektromagnetyczny zawór bezpieczeństwa (13) po wyłączeniu agregatu sprężarki. Zawór bezpieczeństwa (5) zapobiega wzrostowi ciśnienia w zbiorniku powietrza powyżej maksymalnej dopuszczalnej wartości. Zawór spustowy (7) odprowadza kondensat ze zbiornika powietrza. Sprężone, bez oleju, filtrowane powietrze jest gromadzone w zbiorniku powietrza i jest gotowe do użycia.

Kondensat musi być odprowadzany ze zbiornika powietrza w regularnych odstępach czasu (patrz rozdział 18.1).

9.2. Sprężarka z suszarką membranową

Agregat sprężarki (1) zasysa powietrze przez filtr wlotowy (8) i spręża je, doprowadzając do chłodnicy (10) przez filtr (18) i zawór zwrotny (3) do osuszacza (9), następnie suche, czyste powietrze jest doprowadzane do zbiornika powietrza (2). Część powietrza jest uwalniana z osuszacza z wychwyconą wilgocią, co objawia się w postaci łagodnego strumienia powietrza płynącego wzdłuż korpusu osuszacza (9). Kondensat z filtra jest automatycznie opróżniany do butli w regularnych odstępach czasu przez zawór elektromagnetyczny spustu kondensatu (17). Osuszacz zapewnia ciągle osuszanie sprężonego powietrza. Zawór spustowy (7) odprowadza kondensat ze zbiornika powietrza podczas kontroli wydajności osuszania. Sprężone, bez oleju, filtrowane, suche powietrze jest gromadzone w zbiorniku i jest gotowe do użycia.

Aby osuszacz membranowy działał prawidłowo, jest podłączony bezpośrednio do zbiornika powietrza, bez użycia zaworu zwrotnego. Ponieważ osuszacz membranowy zawiera selektywne włókna membranowe, przedostaje się przez nie niewielka ilość powietrza (ok. 0,5 bara/30 min)

Z tego względu występuje stopniowy, powolny spadek ciśnienia nawet wtedy, gdy sprężone powietrze nie jest pobierane (ze zbiornika powietrza), co nie stanowi wadliwego działania.

Zbiornik ciśnieniowy nie musi być opróżniany z kondensatu.

9.3. Obudowa sprężarki

Dźwiękoszczelna obudowa ma niewielkie rozmiary, ale zapewnia dostateczną wymianę powietrza chłodzącego. Sprężarkę chłodzi wentylator znajdujący się pod pompą powietrza (11) i wentylatory w obudowie (21). Po dłuższej pracy sprężarki temperatura w obudowie może osiągnąć ponad 40°C. Wówczas automatycznie zostanie włączony wentylator chłodzenia. Po wychłodzeniu przestrzeni obudowy poniżej około 32°C, wentylator zostanie automatycznie wyłączony.



Ryzyko przegrzania sprężarki.

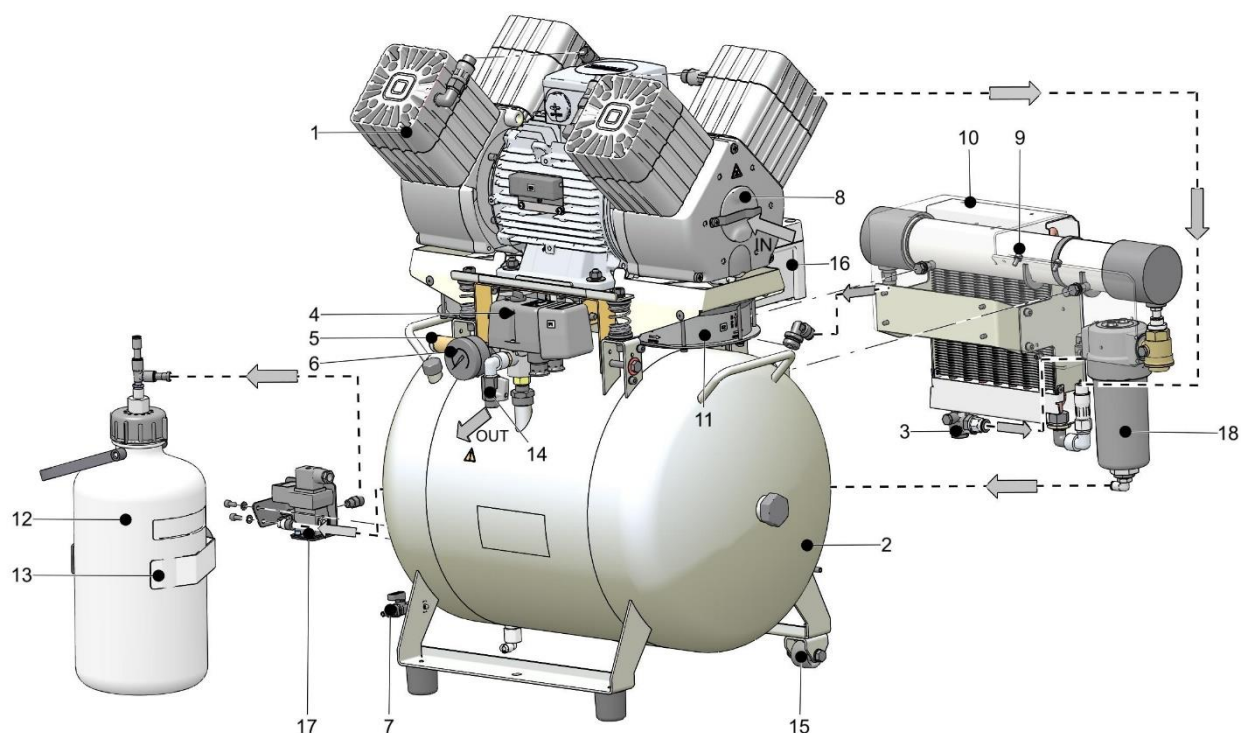
Upewnij się, że nic nie zasłania wlotu powietrza chłodzącego do obudowy (znajdującego się w jej dolnej części) ani wylotu ciepłego powietrza z tyłu u góry.

Jeśli sprężarka zostanie ustawiona na miękkiej podłodze, np. dywanie, należy zapewnić przestrzeń między podstawą i podłogą lub obudową i podłogą, aby umożliwić efektywne chłodzenie. W tym celu można na przykład podłożyć twarde podkładki pod nóżki sprężarki.

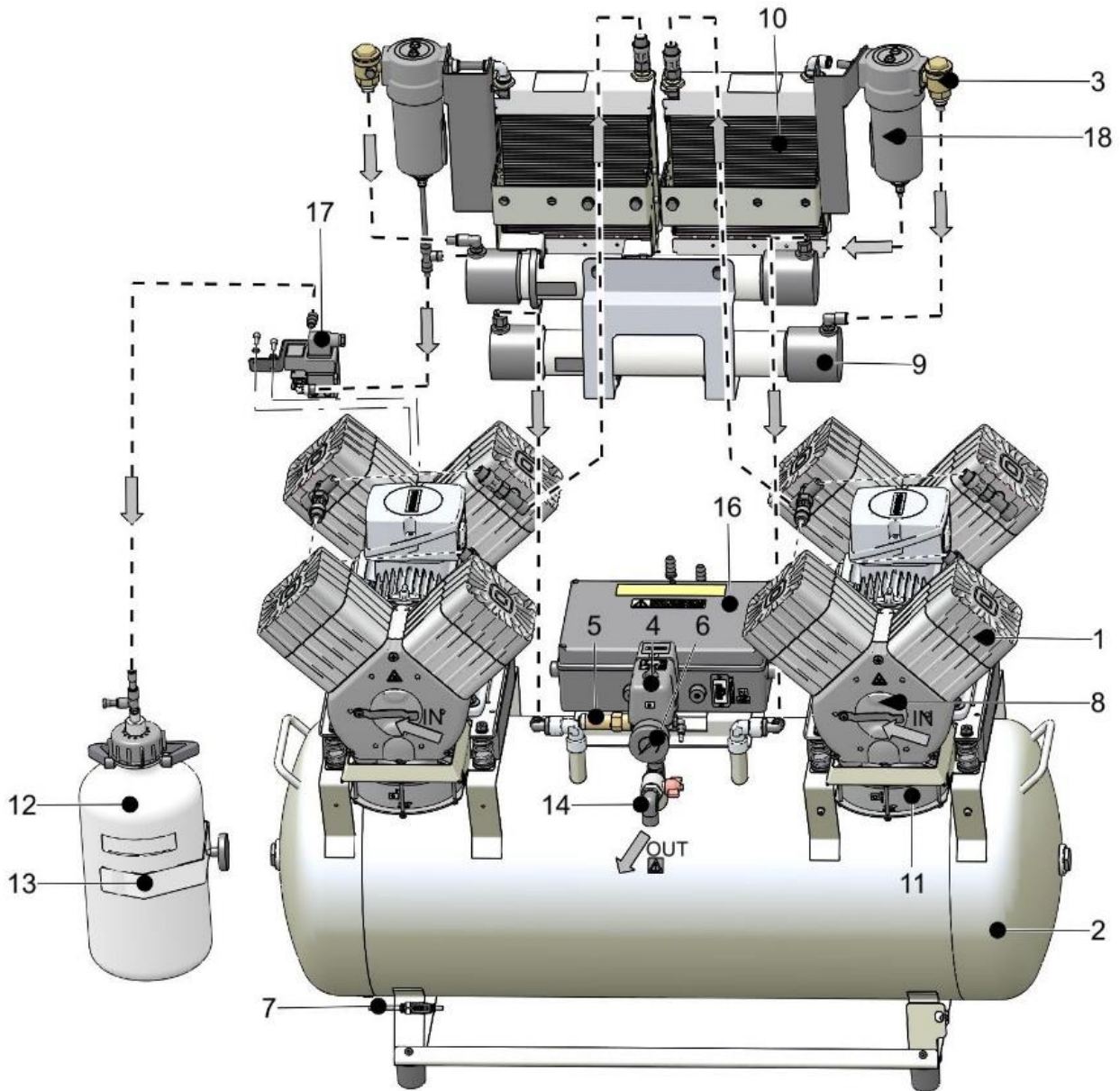
Opisy rysunków 1-3:

1 Agregat sprężarki	16 Puszka rozgałęźna
2 Zbiornik powietrza	17 Zawór elektromagnetyczny spustu kondensatu
3 Zawór zwrotny	18 Filtr
4 Łącznik ciśnieniowy	21 Wentylator obudowy
5 Zawór bezpieczeństwa	22 Miernik ciśnienia w obudowie
6 Ciśnieniomierz	23 Przełącznik
7 Zawór spustowy	24 Złączka obudowy
8 Filtr wlotowy	25 Wąż ciśnieniomierza
9 Osuszacz	26 Przyrząd do ustawiania sprężarki
10 Chłodnica osuszacza	27 Ogranicznik ścienny
11 Wentylator sprężarki	28 Przewód zasilania
12 Naczynie na kondensat	29 Sprężyny gazowe obudowy
13 Uchwyt magnetyczny	30 Usztywnienie łączące
14 Wylot sprężonego powietrza	31 Lampka konserwacji
15 Koła	

Rys. 1: Sprężarka z suszarką membranową

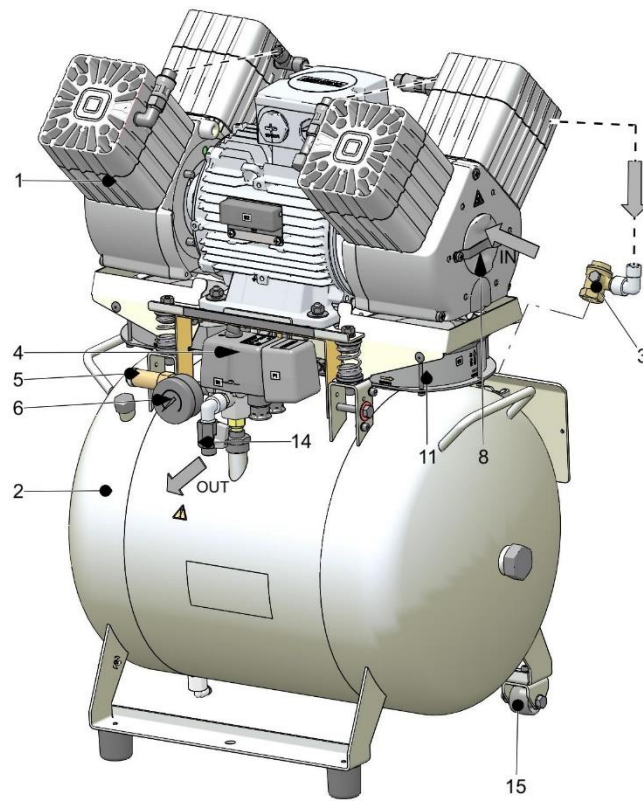


DK50 4VR/50/M

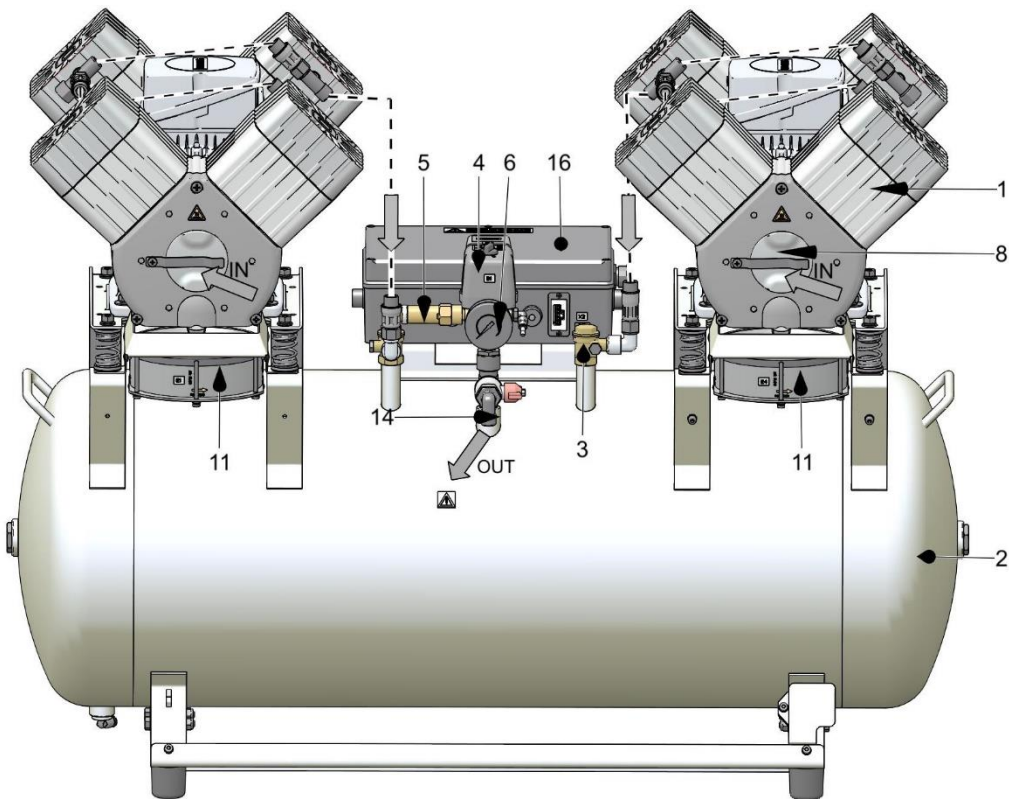


DK50 2x4VR/110/M

Rys. 2: Sprężarka

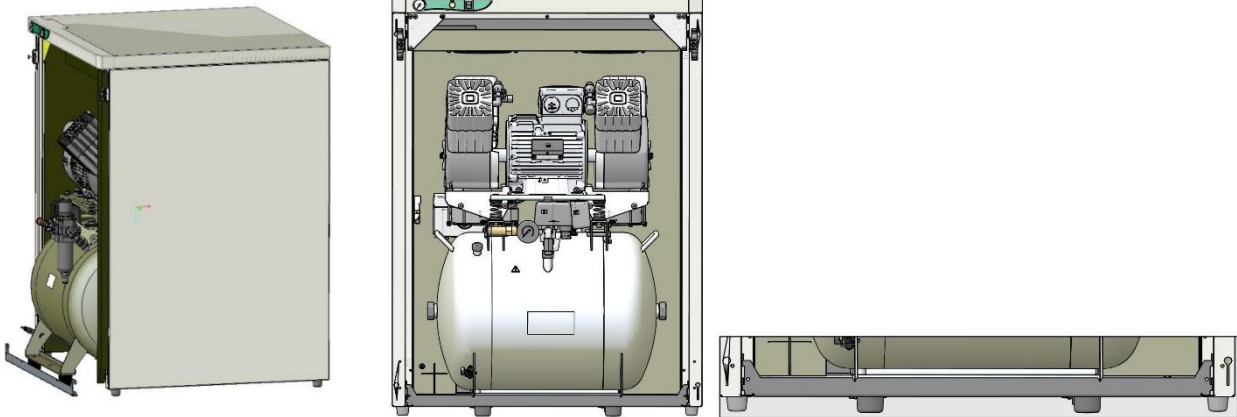
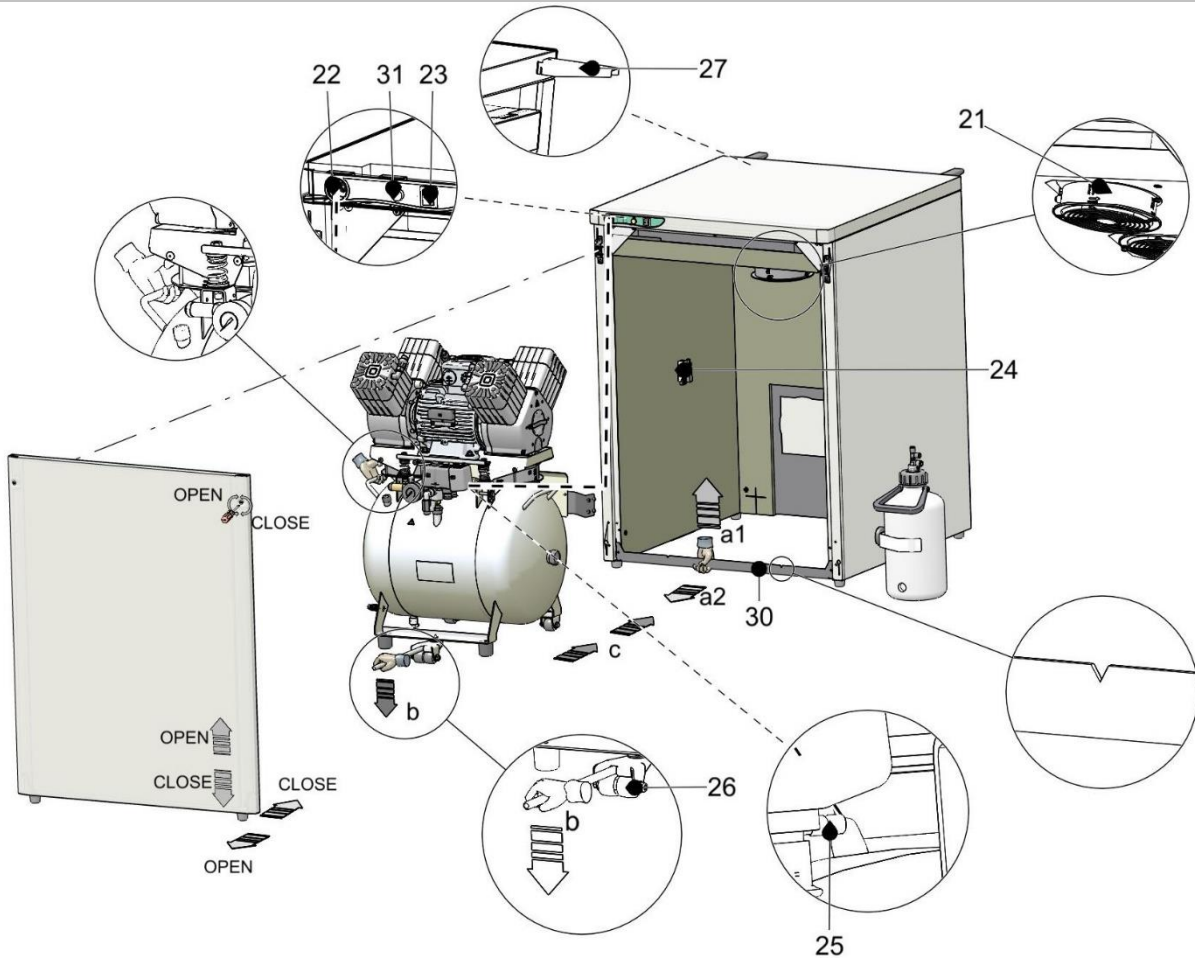


DK50 4VR/50

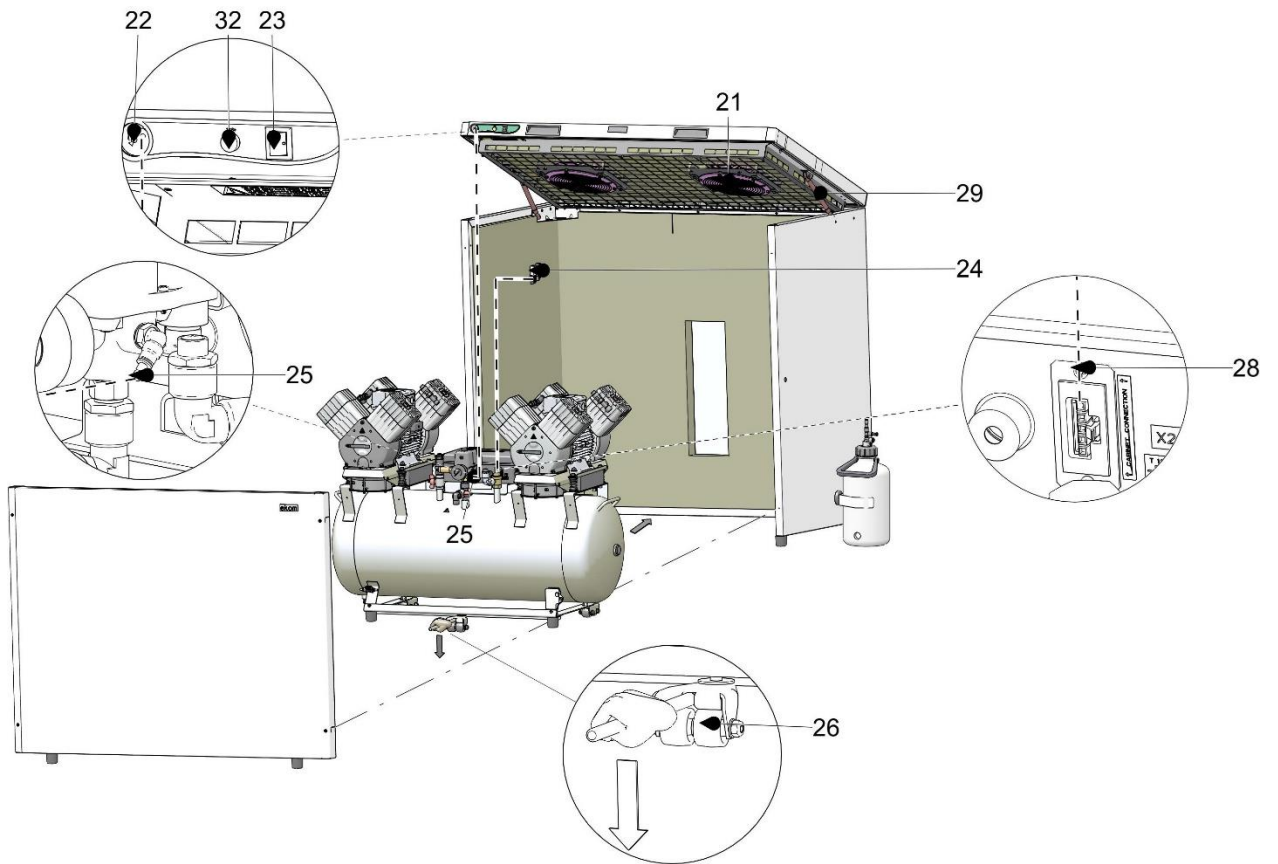


DK50 2x4VR/110

Rys. 3: Obudowa



A – DK50 4VR/50S



B – DK50 2x4VR/110S

DANE TECHNICZNE

Sprężarki są przeznaczone do użytku w suchych, wentylowanych i wolnych od kurzu pomieszczeniach w następujących warunkach:

Temperatura Od +5°C do +40°C

Wilgotność względna maks. 70%

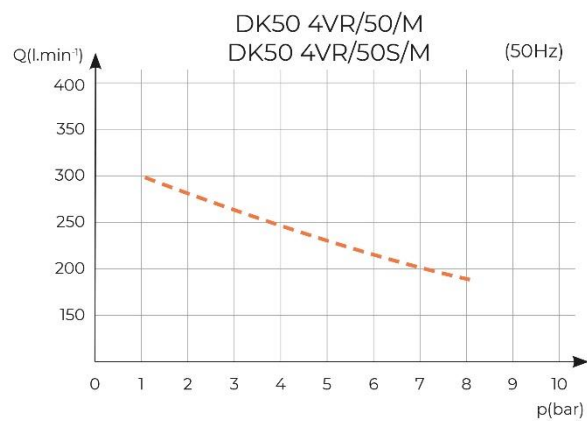
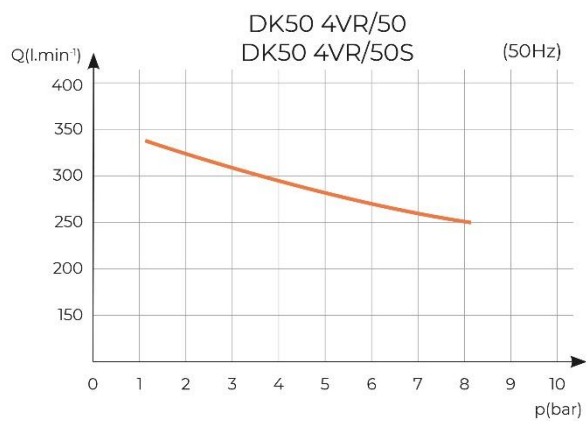
Ciśnienie robocze 6 – 8 barów		DK50 4VR/50	DK50 4VR/50S	DK50 4VR/50/M	DK50 4VR/50S/M
Napięcie znamionowe	V, Hz	3x400, 50	3x400, 50	3x400, 50	3x400, 50
Częstotliwość ^{a)}					
Wydajność przy ciśnieniu 6 barów (FAD)	l/min	270	270	215	215
Ciśnienie robocze ^{b)}	bary	6,0 – 8,0	6,0 – 8,0	6,0 – 8,0	6,0 – 8,0
Prąd znamionowy	A	4,7	5,1	4,8	5,2
Moc silnika	kW	2,2	2,2	2,2	2,2
Pojemność zbiornika powietrza	l	50	50	50	50
Jakość powietrza — filtracja	µm	-	-	0,1	0,1
Maksymalne ciśnienie robocze zaworu bezpieczeństwa	bary	12,0	12,0	12,0	12,0
Poziom hałasu przy 5 barach (L _{pA})	dB	≤77,0	≤58,0	≤77,0	≤58,0
Tryb pracy	%	S1-100	S1-100	S1-100	S1-100
Skuteczność suszenia ciśnieniowego punktu rosy przy 7 barach	°C	-	-	≤ +3	≤ +3
Wymiary (netto) sz x g x w	mm	577x587x815	750x778x1015	577x628x815	750x778x1015
Masa netto ^{c)}	kg	70	128	81	139
Klasyfikacja wg normy EN 60601-1		Klasa I.			

a) W trakcie składania zamówienia należy określić wersję sprężarki

b) Zapytaj dostawcę o inny zakres ciśnienia

c) Waga jest podana tylko orientacyjnie i dotyczy produktu bez akcesoriów

Zależność wydajności sprężarki od ciśnienia roboczego



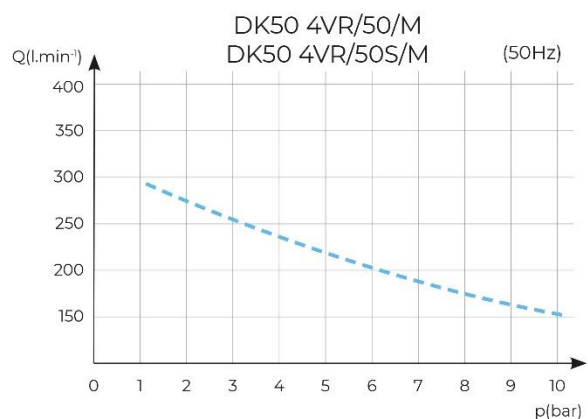
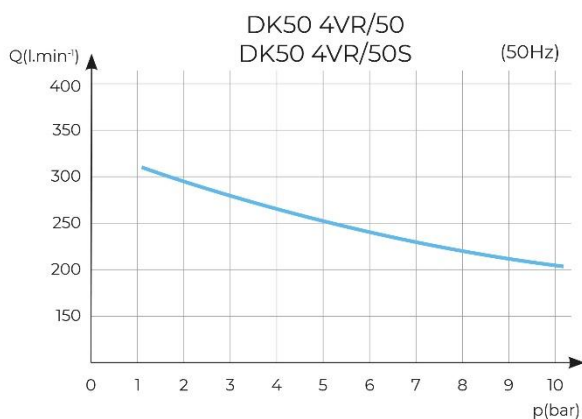
Ciśnienie robocze 8 – 10 barów		DK50 4VR/50	DK50 4VR/50S	DK50 4VR/50/M	DK50 4VR/50S/M
Napięcie znamionowe	V, Hz	3x400, 50	3x400, 50	3x400, 50	3x400, 50
Częstotliwość ^{a)}					
Wydajność przy ciśnieniu 8 barów (FAD)	l/min	220	220	175	175
Ciśnienie robocze ^{b)}	bary	8,0 – 10,0	8,0 – 10,0	8,0 – 10,0	8,0 – 10,0
Prąd znamionowy	A	4,7	5,1	5,4	5,9
Moc silnika	kW	2,2	2,2	2,2	2,2
Pojemność zbiornika powietrza	l	50	50	50	50
Jakość powietrza — filtracja	μm	-	-	0,1	0,1
Maksymalne ciśnienie robocze zaworu bezpieczeństwa	bary	12,0	12,0	12,0	12,0
Poziom hałasu przy 5 barach (L _{pA})	dB	≤77,0	≤58,0	≤77,0	≤58,0
Tryb pracy	%	S1-100	S1-100	S1-100	S1-100
Skuteczność suszenia ciśnieniowego punktu rosy przy 7 barach	°C	-	-	≤ +3	≤ +3
Wymiary (netto) sz x g x w	mm	577x587x815	750x778x1015	577x628x815	750x778x1015
Masa netto ^{c)}	kg	70	128	81	139
Klasyfikacja wg normy EN 60601-1		Klasa I.			

a) W trakcie składania zamówienia należy określić wersję sprężarki

b) Zapytaj dostawcę o inny zakres ciśnienia

c) Waga jest podana tylko orientacyjnie i dotyczy produktu bez akcesoriów

Zależność wydajności sprężarki od ciśnienia roboczego



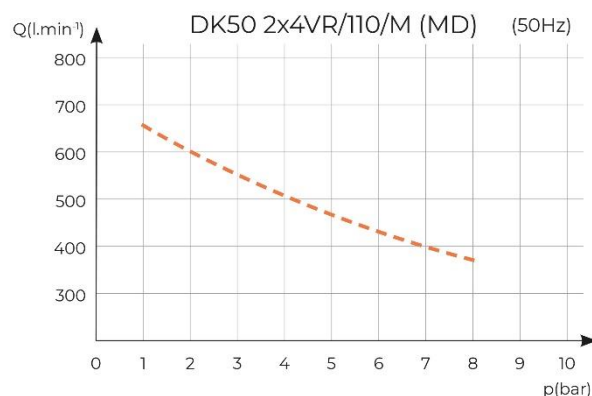
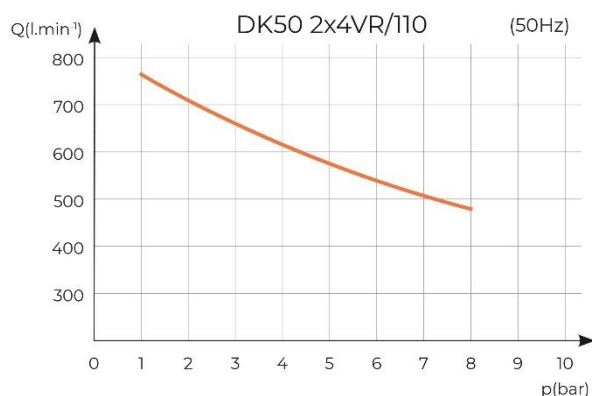
Ciśnienie robocze 6 – 8 barów		DK50 2x4VR/110	DK50 2x4VR/110S	DK50 2x4VR/110/M	DK50 2x4VR/110S/M
Napięcie znamionowe Częstotliwość ^{a)}	V, Hz	3x400, 50	3x400, 50	3x400, 50	3x400, 50
Wydajność przy ciśnieniu 6 barów (FAD)	l/min	540	540	430	430
Ciśnienie robocze ^{b)}	bary	6,0 – 8,0	6,0 – 8,0	6,0 – 8,0	6,0 – 8,0
Prąd znamionowy	A	9,4	10,2	10,1	10,6
Moc silnika	kW	2x2,2	2x2,2	2x2,2	2x2,2
Pojemność zbiornika powietrza	l	110	110	110	110
Jakość powietrza — filtracja	µm	-	-	0,1	0,1
Maksymalne ciśnienie robocze zaworu bezpieczeństwa	bary	9,0	9,0	9,0	9,0
Poziom hałasu przy 5 barach (L _{pA})	dB	≤77,0	≤58,0	≤77,0	≤58,0
Tryb pracy	%	S1-100	S1-100	S1-100	S1-100
Skuteczność suszenia ciśnieniowego punktu rosy przy 7 barach	°C	-	-	≤ +3	≤ +3
Wymiary (netto) sz x g x w	mm	1085x511x830	1260x834x1046	1085x678x830	1260x834x1046
Masa netto ^{c)}	kg	136	218	158	240
Klasyfikacja wg normy EN 60601-1		Klasa I.			

a) W trakcie składania zamówienia należy określić wersję sprężarki

b) Zapytaj dostawcę o inny zakres ciśnienia

c) Waga jest podana tylko orientacyjnie i dotyczy produktu bez akcesoriów

Zależność wydajności sprężarki od ciśnienia roboczego



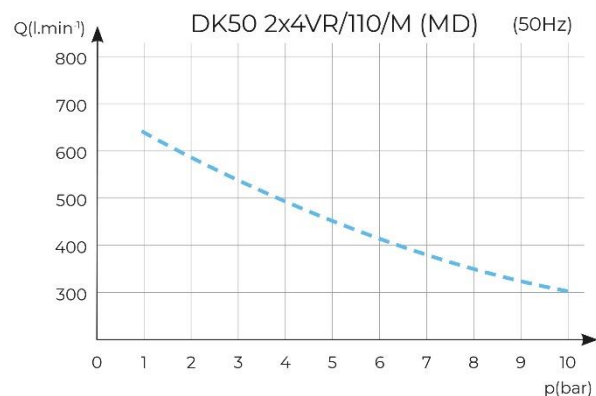
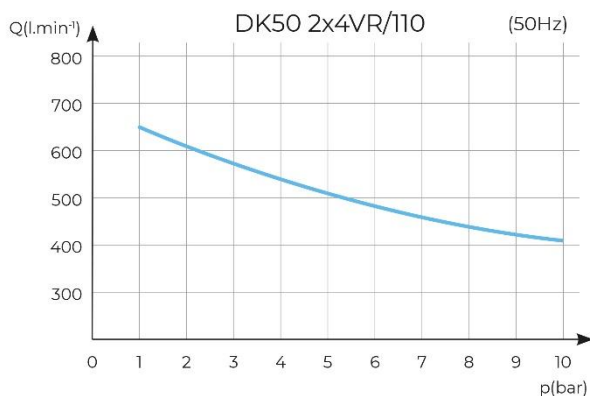
Ciśnienie robocze 8 – 10 barów		DK50 2x4VR/110	DK50 2x4VR/110S	DK50 2x4VR/110/M	DK50 2x4VR/110S/M
Napięcie znamionowe Częstotliwość ^{a)}	V, Hz	3x400, 50	3x400, 50	3x400, 50	3x400, 50
Wydajność przy ciśnieniu 8 barów (FAD)	l/min	440	440	350	350
Ciśnienie robocze ^{b)}	bary	8,0 – 10,0	8,0 – 10,0	8,0 – 10,0	8,0 – 10,0
Prąd znamionowy	A	9,4	10,2	10,1	10,6
Moc silnika	kW	2x2,2	2x2,2	2x2,2	2x2,2
Pojemność zbiornika powietrza	l	110	110	110	110
Jakość powietrza — filtracja	µm	-	-	0,1	0,1
Maksymalne ciśnienie robocze zaworu bezpieczeństwa	bary	12,0	12,0	12,0	12,0
Poziom hałas przy 5 barach (L _{pA})	dB	≤77,0	≤58,0	≤77,0	≤58,0
Tryb pracy	%	S1-100	S1-100	S1-100	S1-100
Skuteczność suszenia ciśnieniowego punktu rosy przy 7 barach	°C	-	-	≤ +3	≤ +3
Wymiary (netto) sz x g x w	mm	1085x511x830	1260x834x1046	1085x678x830	1260x834x1046
Masa netto ^{c)}	kg	136	218	158	240
Klasyfikacja wg normy EN 60601-1		Klasa I.			

a) W trakcie składania zamówienia należy określić wersję sprężarki

b) Zapytaj dostawcę o inny zakres ciśnienia

c) Waga jest podana tylko orientacyjnie i dotyczy produktu bez akcesoriów

Zależność wydajności sprężarki od ciśnienia roboczego



Korekta swobodnego wydatku powietrza ze względu na wysokość

Wydajność określana jako swobodny wydatek powietrza (Free Air Delivery — FAD) dotyczy następujących warunków:

Wysokość	0 n.p.m.	Temperatura	20°C
Ciśnienie atmosferyczne	101325 Pa	Wilgotność względna	0%

Aby obliczyć wydajność FAD sprężarki zależnie od wysokości, należy uwzględnić współczynnik korekty zgodnie z poniższą tabelą:

Wysokość [n.p.m.]	0 – 1500	1501 – 2500	2501 – 3500	3501 – 4500
Współczynnik korekty FAD	1	0.80	0.71	0.60

Deklaracja zgodności elektromagnetycznej

Sprzęt medyczny musi spełniać specjalne normy bezpieczeństwa w zakresie zgodności elektromagnetycznej (EMC) oraz powinien być instalowany i serwisowany zgodnie z poniższymi informacjami na ten temat.

Wytyczne oraz deklaracja producenta – emisja elektromagnetyczna		
Zgodnie z normą IEC 60601-1-2:2014 – Medyczne urządzenia elektryczne -- Część 1-2: Wymagania ogólne dotyczące bezpieczeństwa podstawowego oraz funkcjonowania zasadniczego -- Norma uzupełniająca: Zakłócenia elektromagnetyczne -- Wymagania i badania		
Urządzenie jest przeznaczone do użytku w otoczeniu elektromagnetycznym określonym poniżej. Klient lub użytkownik urządzenia powinien zapewnić właściwe warunki użytkowania.		
Test emisji	Zgodność	Otoczenie elektromagnetyczne – wytyczne
Emisje fal radiowych wg normy CISPR 11	Grupa 1	Urządzenie wykorzystuje fale radiowe tylko na wewnętrzne potrzeby. W związku z tym emisja tych fal jest bardzo niska i stwarza bardzo małe ryzyko interferencji z pobliskim sprzętem elektronicznym.
Emisje fal radiowych wg normy CISPR 11	Klasa B	Urządzenie może być używane wszędzie, także w gospodarstwach domowych i miejscach bezpośrednio podłączonych do publicznej sieci zasilania o niskim napięciu, zasilającej budynki wykorzystywane do celów mieszkalnych.
Emisje harmoniczne wg normy IEC 61000-3-2	Klasa A	
Wahania napięcia / emisje migotania wg normy IEC 61000-3-3	Urządzenie nie powinno powodować migotania, ponieważ po jego uruchomieniu przepływ prądu jest w przybliżeniu jednostajny.	

Wytyczne oraz deklaracja producenta – odporność elektromagnetyczna

Zgodnie z normą IEC 60601-1-2:2014 – Medyczne urządzenia elektryczne -- Część 1-2: Wymagania ogólne dotyczące bezpieczeństwa podstawowego oraz funkcjonowania zasadniczego -- Norma uzupełniająca: Zakłócenia elektromagnetyczne -- Wymagania i badania

Urządzenie jest przeznaczone do użytku w otoczeniu elektromagnetycznym określonym poniżej. Klient lub użytkownik urządzenia powinien zapewnić właściwe warunki użytkowania.


Test odporności	Poziom testu wg normy IEC 60601-1-2	Poziom zgodności	Otoczenie elektromagnetyczne – wytyczne
Wyładowanie elektrostatyczne (ESD) IEC 61000-4-2	kontaktowe ± 8 kV w powietrzu ± 15 kV	kontaktowe ± 8 kV w powietrzu ± 15 kV	Podłogi powinny być drewniane, betonowe lub pokryte płytkami ceramicznymi. Jeśli podłogi są pokryte materiałem syntetycznym, wilgotność względna powinna wynosić przynajmniej 30%.
Szybkie przejściowe wyładowanie elektryczne IEC 61000-4-4	± 2 kV dla obwodów zasilania ± 1 kV dla obwodów wejścia/wyjścia	± 2 kV Częstotliwość powtarzania 100 kHz Dotyczy podłączenia do sieci	Jakość sieci powinna być typowa dla środowisk komercyjnych lub szpitalnych.
Przebiecie IEC 61000-4-5	Tryb różnicowy ± 1 kV Tryb wspólny ± 2 kV	± 1 kV L-N ± 2 kV L-PE; N-PE Dotyczy podłączenia do sieci	Jakość sieci powinna być typowa dla środowisk komercyjnych lub szpitalnych.
Spadki napięcia, krótka przerwa, oraz wahania napięcia na liniach wejściowych zasilania wg normy IEC 60601-4-11	$U_T=0\%$, cykl 0,5 (przy 0, 45, 90, 135, 180, 225, 270 oraz 315°) $U_T=0\%$, cykl 1 $U_T=70\%$ 25/30 cykli (przy 0°) $U_T=0\%$, 250/300 cykli	$U_T \geq 95\%$, 0,5 cyklu (przy 0, 45, 90, 135, 180, 225, 270 oraz 315°) $U_T \geq 95\%$, 1 cykl $U_T=70\%$ (30% spadek napięcia U_T), 25 (50 Hz)/30 (60 Hz) cykli (przy 0°) $U_T \geq 95\%$, 250 (50 Hz)/300 (60 Hz) cykli	Jakość sieci powinna być typowa dla środowisk komercyjnych lub szpitalnych. Urządzenie automatycznie wyłącza i restartuje się po każdym spadku napięcia. W tym przypadku nie następuje nieakceptowalny spadek ciśnienia.
Częstotliwość zasilania (50/60 Hz) IEC 61000-4-8	30 A/m	30 A/m	Pola magnetyczne o częstotliwości zasilania powinny być przynajmniej na poziomie charakterystycznym dla typowej lokalizacji w typowym środowisku komercyjnym lub szpitalnym.

UWAGA: U_T to przemienne napięcie sieciowe przed testem.

Wytyczne oraz deklaracja producenta – odporność elektromagnetyczna

Zgodnie z normą IEC 60601-1-2:2014 – Medyczne urządzenia elektryczne -- Część 1-2: Wymagania ogólne dotyczące bezpieczeństwa podstawowego oraz funkcjonowania zasadniczego -- Norma uzupełniająca: Zakłócenia elektromagnetyczne -- Wymagania i badania

Urządzenie jest przeznaczone do użytku w otoczeniu elektromagnetycznym określonym poniżej. Klient lub użytkownik urządzenia powinien zapewnić właściwe warunki użytkowania.

Test odporności	Poziom testu wg normy IEC 60601-1-2	Poziom zgodności	Otoczenie elektromagnetyczne – wytyczne
Odporność na zaburzenia radioelektryczne wprowadzane do przewodów IEC 61000-4-6	3 Vrms 150 kHz – 80 MHz	3 Vrms	Przenośne i ruchome urządzenia radiowe RF nie powinny znajdować się bliżej żadnej części urządzenia, w tym kabli, niż zalecana odległość obliczona za pomocą równania z uwzględnieniem częstotliwości nadajnika. Zalecana odległość $d=1,2\sqrt{P}$ $d=1,2\sqrt{P}$, 80 MHz – 800 MHz $d=2,3\sqrt{P}$, 800 MHz – 2,7 GHz
Odporność na pole elektromagnetyczne o częstotliwościach radiowych IEC 61000-4-3	3 V/m 80 MHz – 2,7 GHz	3 V/m	gdzie P to maksymalna moc wyjściowa nadajnika w watach (W) podana przez producenta nadajnika, a d to zalecana odległość w metrach (m).
Pobliskie pola fal radiowych emitowanych przez urządzenia komunikacyjne IEC 61000-4-3	9 – 28 V/m 15 określonych częstotliwości (380 – 5800 MHz)	9 – 28 V/m 15 określonych częstotliwości (380 – 5800 MHz)	Natężenia pól emitowanych przez stałe nadajniki RF, określone drogą pomiaru poziomu zakłóceń elektromagnetycznych w miejscu montażu ^a , powinny być niższe od poziomu zgodności w każdym zakresie częstotliwości ^b . Interferencje mogą występować w pobliżu urządzeń oznaczonych następującym symbolem: 

UWAGA 1: w przypadku 80 MHz i 800 MHz zastosowanie ma wyższy zakres częstotliwości.

UWAGA 2: wytyczne te mogą nie mieć zastosowania w niektórych sytuacjach. Na rozchodzenie się fal elektromagnetycznych mają wpływ właściwości pochłaniania i odbijania konstrukcji, obiektów i ludzi.

^a Siły pól emitowanych przez stałe nadajniki, takie jak stacje telefoniczne (komórkowe/bezprzewodowe), przenośne radia lądowe, radia amatorskie, stacje nadające sygnały radiowe AM i FM oraz TV nie dadzą się dokładnie przewidzieć w obliczeniach teoretycznych. Aby określić właściwości otoczenia elektromagnetycznego ze względu na obecność stałych nadajników fal radiowych, należy przeprowadzić pomiar poziomu zakłóceń elektromagnetycznych w miejscu montażu. Jeśli natężenie pola w miejscu montażu urządzenia przekracza dopuszczalny poziom zakłóceń fal radiowych, należy przyjrzeć się, czy urządzenie działa prawidłowo. Jeśli urządzenie nie działa prawidłowo, może być konieczne podjęcie środków zaradczych, takich jak przestawienie lub przeniesienia urządzenia.

^b Powyżej zakresu częstotliwości 150 kHz – 80 kHz natężenia pól powinny wynosić mniej niż 3 V/m.

INSTALACJA



Ryzyko nieprawidłowej instalacji.

Instalację i uruchomienie sprężarki może przeprowadzić wyłącznie wykwalifikowany specjalista. Jego obowiązkiem jest przeszkolenie operatorów w zakresie obsługi i konserwacji sprzętu. W dokumentacji instalacyjnej sprzętu powinien znaleźć się zapis poświadczający odbycie szkolenia operatorów. (Patrz Dodatek).

10. WARUNKI INSTALACJI

- Sprężarkę należy zainstalować i wykorzystywać tylko w suchych, dobrze wentylowanych i czystych pomieszczeniach, w których panują warunki opisane w rozdziale Dane techniczne.



Ryzyko uszkodzenia urządzenia.

Urządzenia nie można użytkować na zewnątrz ani w wilgotnym środowisku.



Ryzyko eksplozji.

Nie należy używać urządzenia w obecności wybuchowych gazów, kurzu lub łatwopalnych płynów.



Ryzyko poparzenia lub pożaru! Uwaga! Gorąca powierzchnia!

W trakcie działania sprężarki części urządzenia mogą być nagrzane i niebezpieczne dla ludzi i rzeczy.

- Sprężarkę należy tak zainstalować, aby zawsze była dostępna do pracy i konserwacji. Tabliczka znamionowa powinna znajdować się w dostępnym miejscu.
- Sprężarka powinna stać na płaskiej i stabilnej powierzchni (należy wziąć pod uwagę ciężar sprężarki, patrz rozdział Dane techniczne).
- Inne lub wykraczające poza opisane ramy zastosowanie uważa się za niezgodne z przeznaczeniem. Producent nie odpowiada za szkody wynikłe z takiego użytkowania urządzenia. Ryzyko ponosi wyłącznie operator/użytkownik.



Zagrożenie z powodu wysokiej temperatury.

Przepływ powietrza przed i za chłodnicą musi być całkowicie swobodny. Wewnętrzne i zewnętrzne części chłodnicy mogą być gorące i niebezpieczne dla zdrowia.



Na początku eksploatacji produktu może być wyczuwalny zapach „nowego urządzenia” (przez krótki czas). Jest to zjawisko przejściowe, które nie ma wpływu na działanie sprzętu. Po instalacji należy zapewnić właściwą wentylację.

11. MONTAŻ SPREŻARKI

11.1. Przenoszenie i rozpakowywanie sprężarki

- Wyjmij sprężarkę z opakowania.
- Ustaw sprężarkę w miejscu instalacji. (Rys. 4)

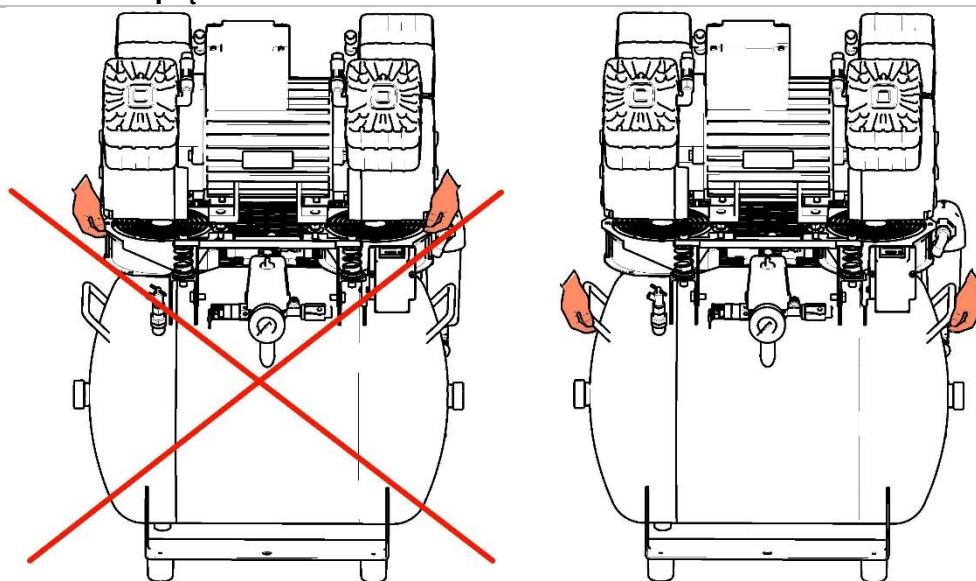


W razie potrzeby przesun sprężarkę za pomocą uchwytów. Nie używaj żadnych innych części sprężarki (agregatu, chłodnicy itd.) do przenoszenia

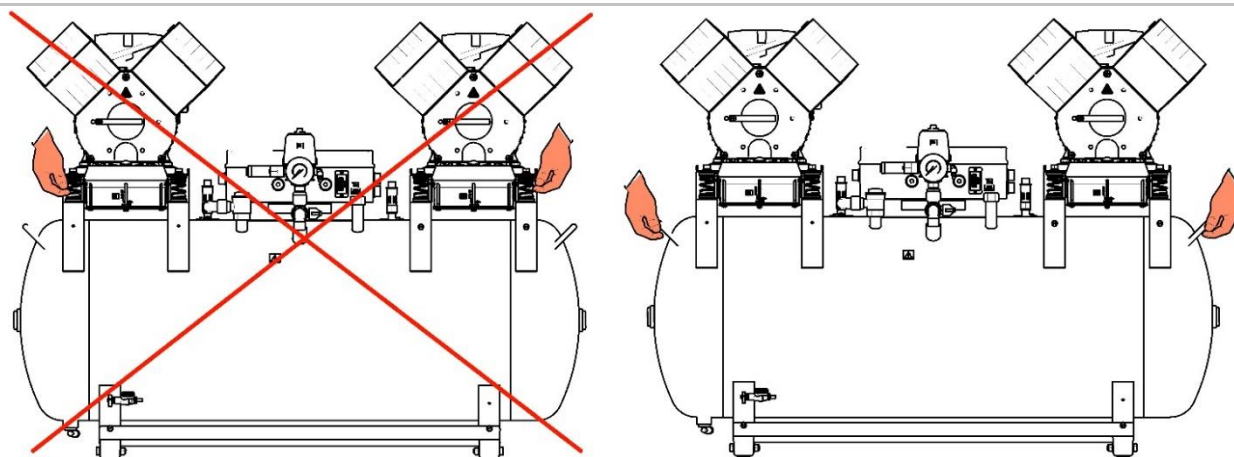


Do montażu urządzenia potrzebne są przynajmniej dwie osoby.

Rys. 4: Ustawianie sprężarki



DK50 4VR/50



DK50 2x4VR/110

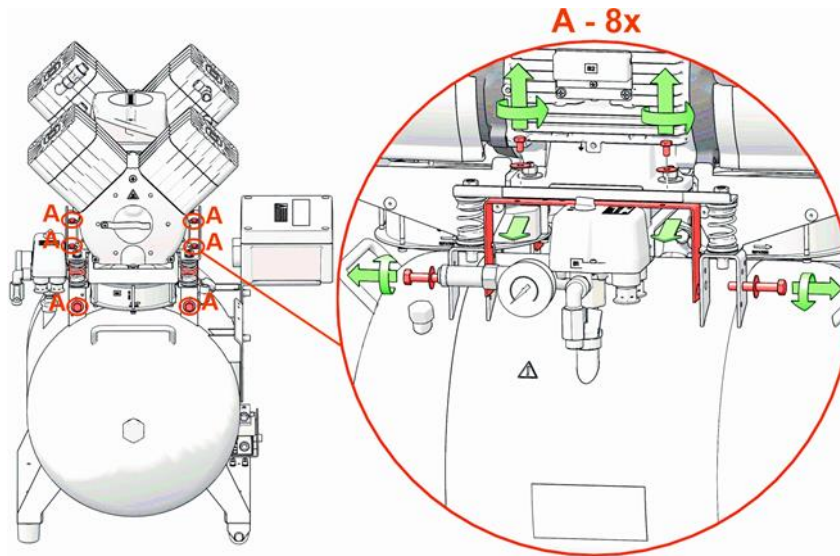
- Usun stabilizatory transportowe z pomp powietrza. (Rys. 5)



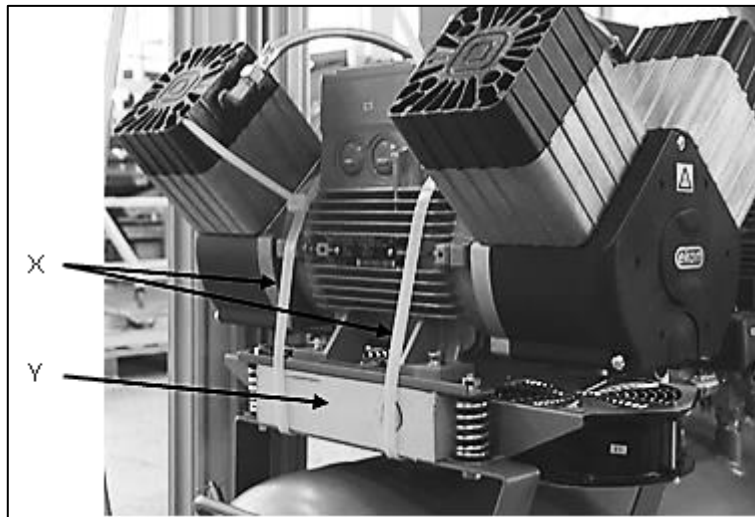
Przed pierwszym uruchomieniem należy usunąć wszystkie zabezpieczenia służące do unieruchomienia urządzenia podczas transportu — ich pozostawienie grozi uszkodzeniem produktu.

Po zainstalowaniu i wypoziomowaniu sprężarki w ostatecznym miejscu usunąć wszystkie mocowania zabezpieczające agregaty.

Rys. 5: Zwalnianie pomp powietrza



DK50 4VR/50



DK50 2x4VR/110

11.2. Ustawienie sprężarki w obudowie

DK50 4VR/50S (Rys. 3-A):

Demontaż drzwiczek obudowy

- Wymontuj drzwiczki utrzymywane przez 2 śruby i odłącz przewód uziemienia.

Umieszczenie sprężarki

- Usuń listwę (30) z przodu obudowy.
- Włóż sprężarkę do obudowy przy użyciu wózka pozycjonującego (26), załóż listwę z przodu obudowy i wyreguluj ustawienie sprężarki tak, aby dwa nacięcia w kształcie litery „V” na listwie (30) znalazły się w linii z nożkami sprężarki. Pomaga to prawidłowo ustawić sprężarkę w obudowie.
- Sprężarkę z osuszaczem włóż do obudowy w taki sposób, aby wentylator osuszacza wpasował się do otworu kanału chłodzącego w obudowie. OSTRZEŻENIE: nie wpychać sprężarki do

końca. W przypadku sprężarek z osuszaczem spowoduje to utrudnienie przepływu powietrza chłodzącego do chłodnicy, co grozi trwałym uszkodzeniem osuszacza.

- Umieść listwę łączącą (35) w pierwotnym położeniu w dolnej części obudowy.

Instalacja drzwiczek obudowy

- Wyrównaj drzwiczki z obudową, podłącz przewód uziemienia do drzwiczek i zamontuj drzwiczki w obudowie za pomocą dwóch śrub.



Sprężarki z osuszaczem powietrza nie można popychać do końca, ponieważ grozi to trwałym uszkodzeniem osuszacza.

DK50 2x4VR/110S (Rys. 3-B):

Otwieranie pokrywy górnej

- Otwórz blokadę za pomocą śrubokręta, jak pokazano na ilustracji i podnieś pokrywę za pomocą uchwytu.
- Sprężyny gazowe nie pozwolą pokrywie się zamknąć.



Podczas zamykania pokrywy obudowy uważaj, aby nie przyciąć palców.

Po zamknięciu pokrywy obudowy zawsze blokuj ją za pomocą elementów do szybkiego mocowania!

Demontaż przedniej płyty obudowy

- Wymontuj drzwiczki utrzymywane przez 4 śruby M5 i odłącz przewód uziemienia.

Umieszczenie sprężarki

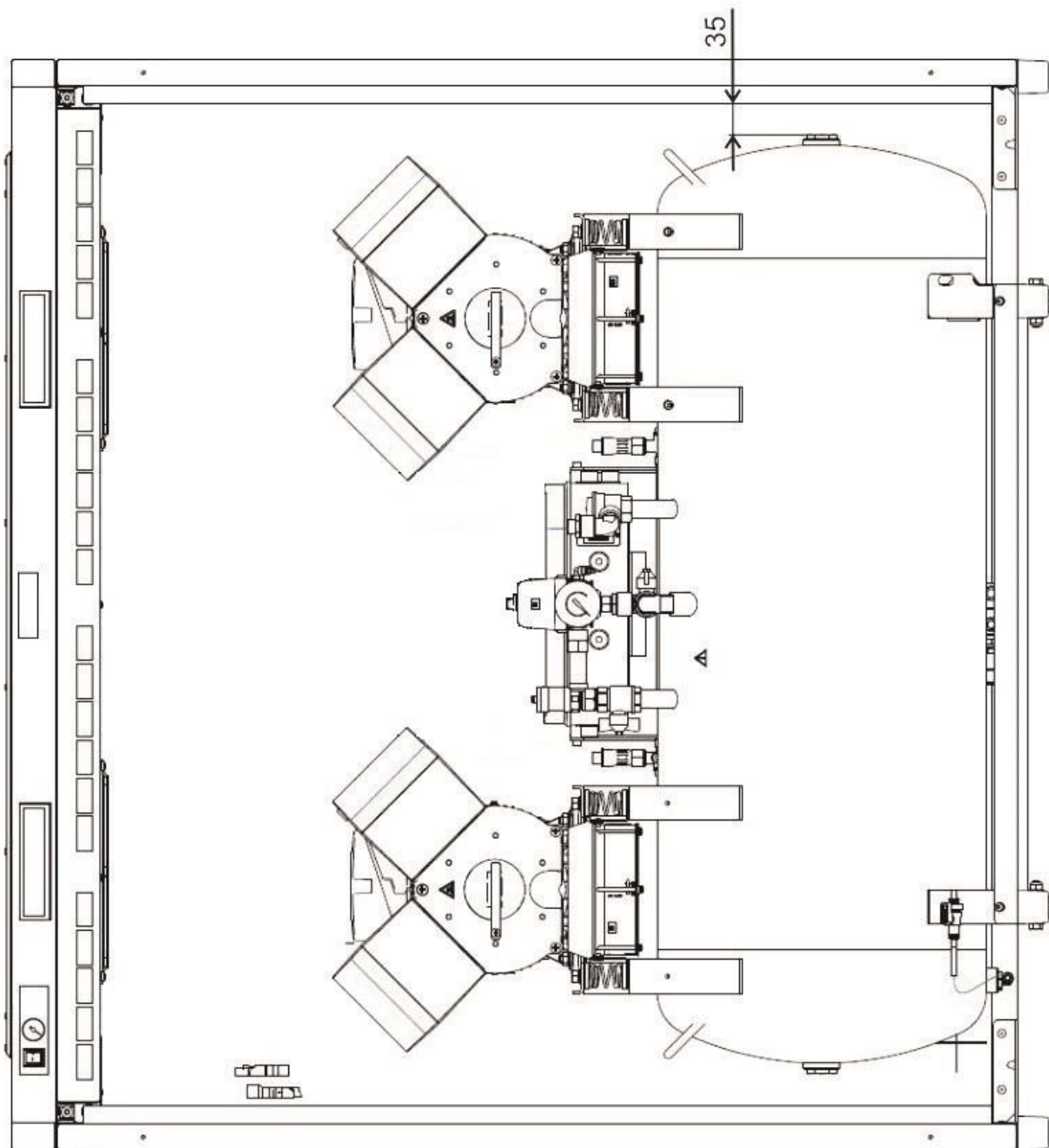
- Sprężarkę z osuszaczem włóż do obudowy w taki sposób, aby wentylator osuszacza wpasował się do otworu kanału chłodzącego w obudowie. (Rys. 6)



Sprężarki z osuszaczem powietrza nie można popychać do końca, ponieważ grozi to trwałym uszkodzeniem osuszacza.

Instalacja drzwiczek obudowy

- Wyrównaj drzwiczki z obudową, podłącz przewód uziemienia do drzwiczek i zamontuj drzwiczki w obudowie za pomocą czterech śrub.



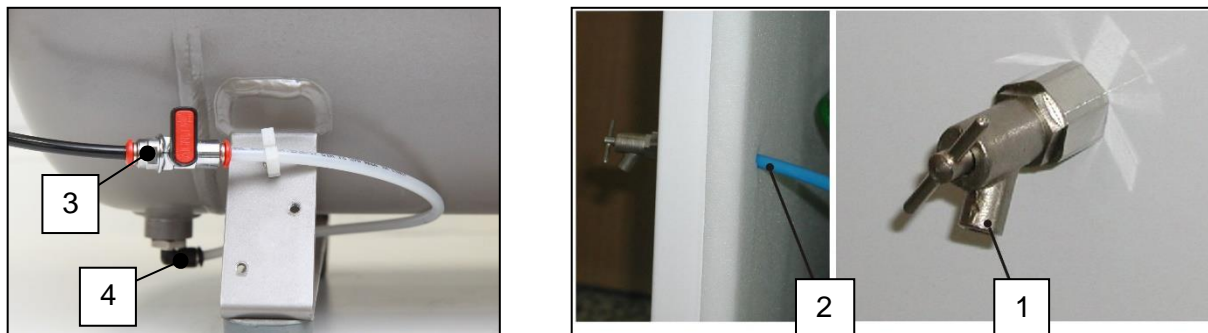
Rys. 6: Ustawienie sprężarki w obudowie

11.3. Montaż zaworu na spuście kondensatu z obudowy (DK50 2x4VR/110)

W przypadku sprężarek w obudowie należy przełożyć mocowanie z zaworem (1) przez otwór w ścianie bocznej obudowy, a następnie zamontować wąż PA Ø8 / Ø6 (2). Drugi koniec węża włożyć do mocowania (4) pod zbiornikiem powietrza, z którego wymontowano zawór (3) i wąż.

Otwór z drugiej strony obudowy zatkać korkiem Ø16,5.

Mocowanie z zaworem to części standardowo dostarczane z obudową. Zawór spustu kondensatu można zamontować z jednej i drugiej strony sprężarki.



Rys. 7: Montaż zaworu na spuscie kondensatu z obudowy (DK50 2x4VR/110)



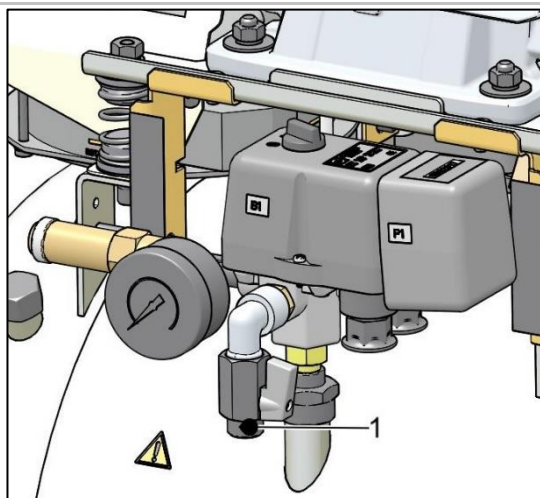
Przy demontażu sprężarki odłącz złącze obudowy za pomocą wkrętaka!

12. POŁĄCZENIA PNEUMATYCZNE

12.1. Podłączanie do wylotu sprężonego powietrza

- Poprowadź wąż ciśnieniowy z wyjścia sprężonego powietrza (1) do podłączonego sprzętu.
- Poprowadź wąż ciśnieniowy przez otwór w tylnej ścianie obudowy sprężarki z obudową.
- Została użyta złączka G3/8" (DK50 4VR/50), G1/2" (DK50 2x4VR/110).

DK50 4VR/50



DK50 2x4VR/110

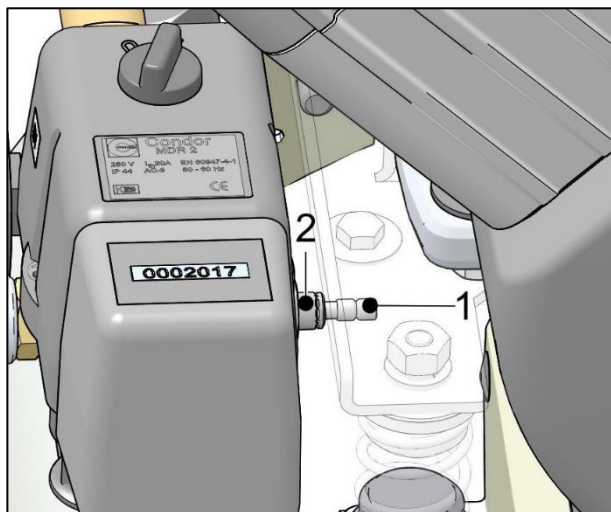


Rys. 8: Podłączanie do wylotu sprężonego powietrza

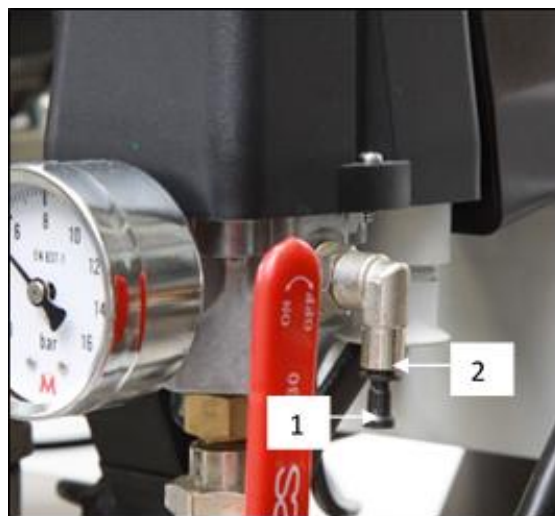
12.2. Podłączanie miernika ciśnienia w obudowie do sprężarki

- Odkręć korek (1) z gwintu (2) na bloku pneumatycznym sprężarki.
- Połącz ciśnieniomierz obudowy z łącznikiem gwintowanym.

DK50 4VR/50



DK50 2x4VR/110



Rys. 9: Podłączenie miernika ciśnienia w obudowie do sprężarki

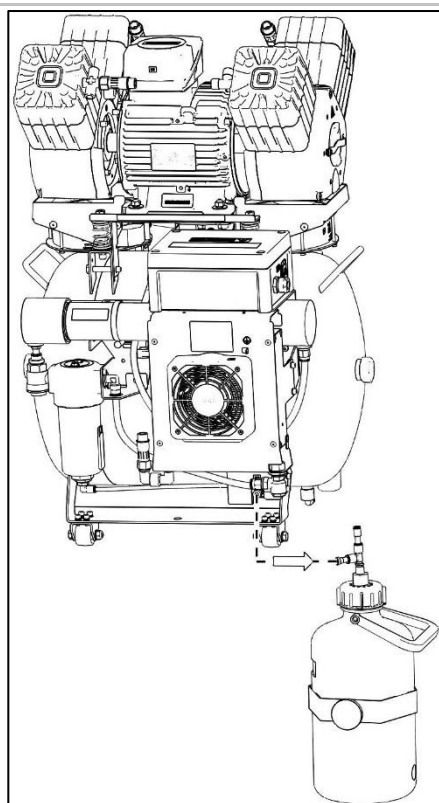
Spust kondensatu



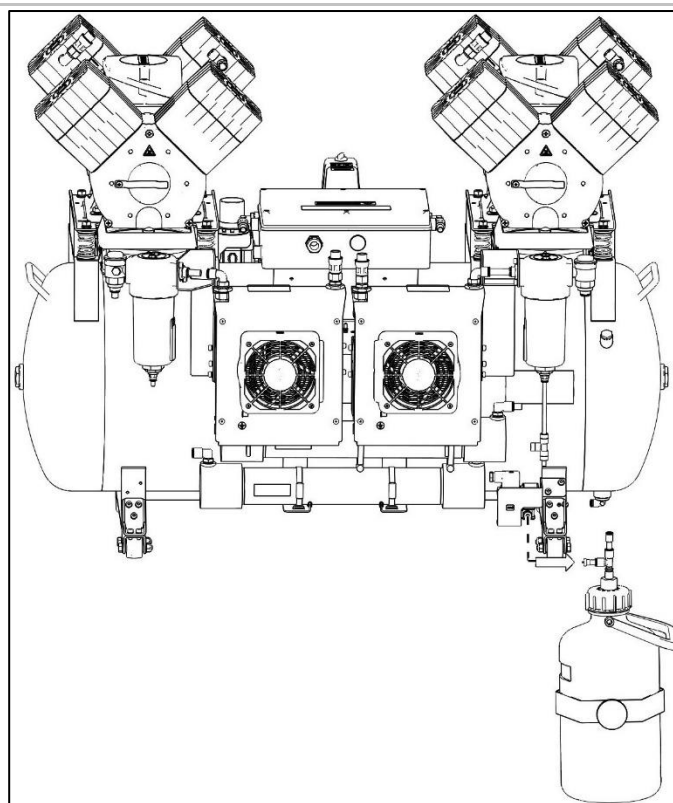
Nie należy podłączać spustu kondensatu bezpośrednio do odpływu do ścieków! Mogą ucierpieć przewodnie!

- Podłącz wąż do wylotu z automatycznego spustu kondensatu do rury spustowej lub dołączonego naczynia zbiorczego na kondensat.

DK50 4VR/50



DK50 2x4VR/110



Rys. 10: Spust kondensatu

12.3. Poprowadzenie kabli elektrycznych i węży w sprężarkach instalowanych w obudowie

- Poprowadź węży i kable elektryczne przez otwór w tylnej ścianie obudowy sprężarki z osuszaczem.



Ryzyko uszkodzenia elementów pneumatycznych.

Węże powietrzne nie mogą być uszkodzone.

13. POŁĄCZENIE ELEKTRYCZNE

- Do produktu jest dołączony przewód z wtyczką z bolcem uziemienia.
- W przypadku sprężarek montowanych w obudowie przewód zasilania należy poprowadzić przez otwór w tylnej ścianie obudowy.
- Zapewnij łatwy dostęp do gniazdka, aby urządzenie można było bezpiecznie odłączyć od sieci.
- Połączenie z szafą elektryczną może mieć maksymalnie 16 A.



Ryzyko porażenia prądem elektrycznym.

Należy przestrzegać wszystkich lokalnych przepisów elektrotechnicznych. Napięcie i częstotliwość sieci muszą zgadzać się z parametrami określonymi na tabliczce urządzenia.



Ryzyko pożaru i porażenia prądem elektrycznym.

Przewód elektryczny nie może być uszkodzony.



Ryzyko pożaru i porażenia prądem elektrycznym.

Upewnić się, że przewód elektryczny nie dotyka gorących elementów sprężarki.

- Podłącz styk wyrównania potencjałów 6 Ø mm (1) do obwodu elektrycznego w określony sposób zgodny z przepisami elektrotechnicznymi
- Gniazdo wyrównywania potencjałów (2) jest dodatkiem i nie jest dołączone do podstawowego zestawu



Rys. 11: Wyrównywanie potencjałów

- Zamontuj złącze przewodnika uziemiającego na drzwiczkach i przykręć do obudowy.

13.1. Podłączanie sprężarki niezamontowanej w obudowie

- Włóż wtyczkę przewodu zasilającego do gniazda sieciowego.
- Sprężarka jest gotowa do działania.

13.2. Podłączanie sprężarki zamontowanej w obudowie

- Przełóż wtyczkę przewodu zasilającego przez otwór w tylnej ścianie obudowy sprężarki zamontowanej w obudowie. (Rys. 12)
- Połącz elektrycznie obudowę ze sprężarką, wkładając wtyczkę załączonego przewodu zasilania do gniazda. (Rys. 13)

- Zlikwiduj połączenie elektryczne obudowy ze sprężarką, wyjmując wtyczkę z gniazda, po uprzednim zwolnieniu zatrasku.



Rys. 12: Otwór w tylnej ścianie obudowy



Rys. 13: Podłączanie obudowy do sprężarki

14. PRZYGOTOWYWANIE DO UŻYTKU

- Upewnij się, że wszystkie stabilizatory transportowe zostały usunięte.
- Sprawdź, czy wszystkie węże ciśnieniowe są prawidłowe (patrz rozdział 12).
- Sprawdź, czy urządzenie jest prawidłowo podłączone do sieci (patrz rozdział 13).
- Sprawdź ustawienie wyłącznika obwodu. Powinien być w pozycji „I”. Jeśli przełącznik główny (2) jest w pozycji „0”, przestaw go do pozycji „I” (Rys. 14).
- W przypadku sprężarek montowanych w obudowie ustaw przełącznik główny (4) z przodu obudowy w pozycji „I”. Zielona lampka będzie oznaczała, że urządzenie działa. (Rys. 14).
- Sprawdź połączenie złącza obudowy ze sprężarką (Rys. 13).
- Sprawdź połączenie węża manometru obudowy z blokiem pneumatycznym sprężarki (Rys. 9).
- Sprawdź, czy wąż automatycznego spustu kondensatu jest połączony z naczyniem odbiorczym (Rys. 10).

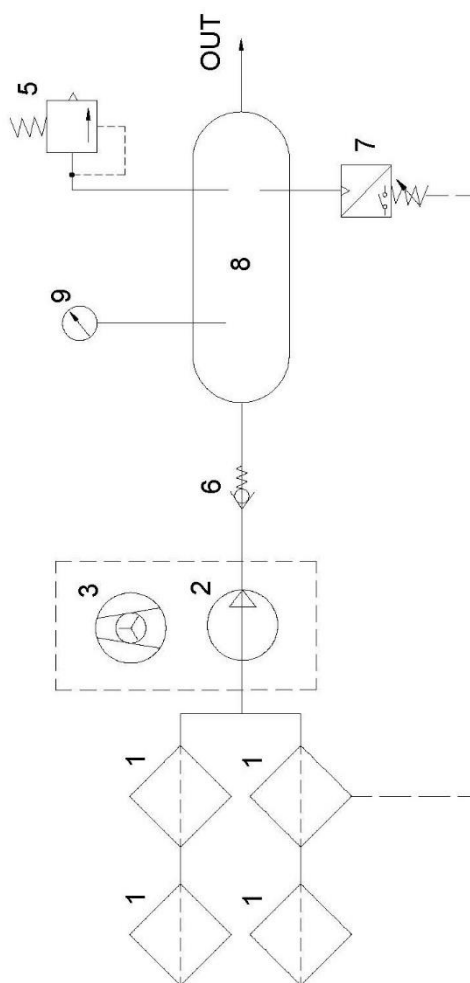


Sprężarka nie jest wyposażona w zapasowe źródło zasilania.

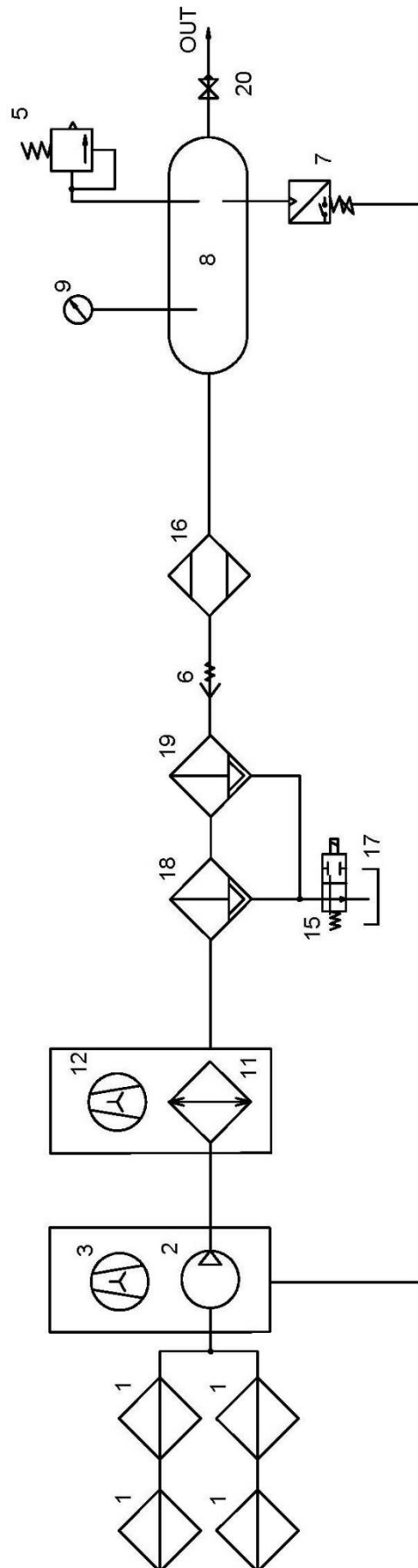
15. SCHEMATY PNEUMATYCZNE I ELEKTRYCZNE

15.1. Schemat pneumatyczny

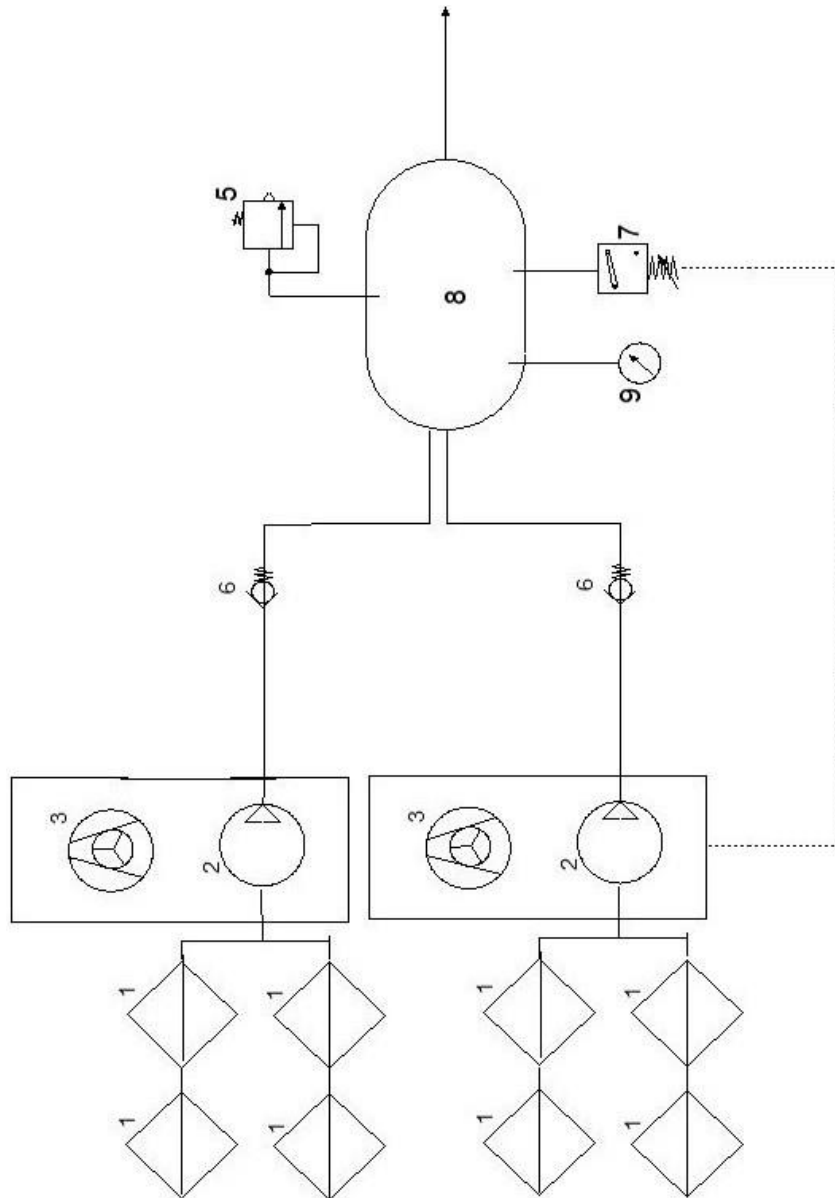
DK50 4VR/50



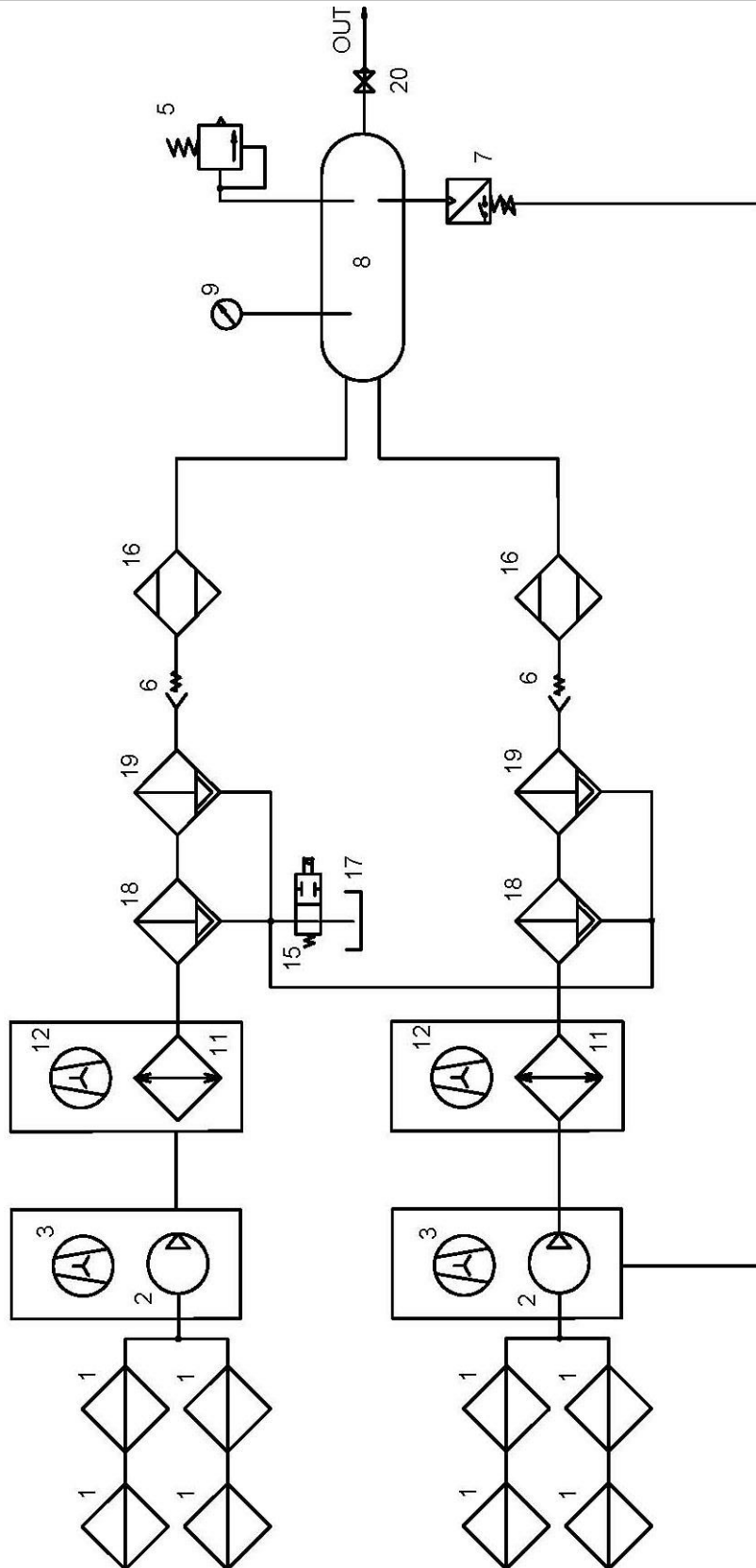
DK50 4VR/50/M



DK50 2x4VR/110



DK50 2x4VR/110/M



Opis schematu pneumatycznego:

- | | |
|------------------------|---|
| 1 Filtr wlotowy | 11 Chłodnica |
| 2 Sprężarka | 12 Wentylator chłodnicy |
| 3 Wentylator | 13 – |
| 4 - | 14 – |
| 5 Zawór bezpieczeństwa | 15 Zawór elektromagnetyczny spustu kondensatu |
| 6 Zawór zwrotny | 16 Osuszacz |
| 7 Łącznik ciśnieniowy | 17 Naczynie na kondensat |
| 8 Zbiornik powietrza | 18 Filtr |
| 9 Ciśnieniomierz | 19 Mikrofiltr |
| 10 - | |

15.2. Schematy elektryczne

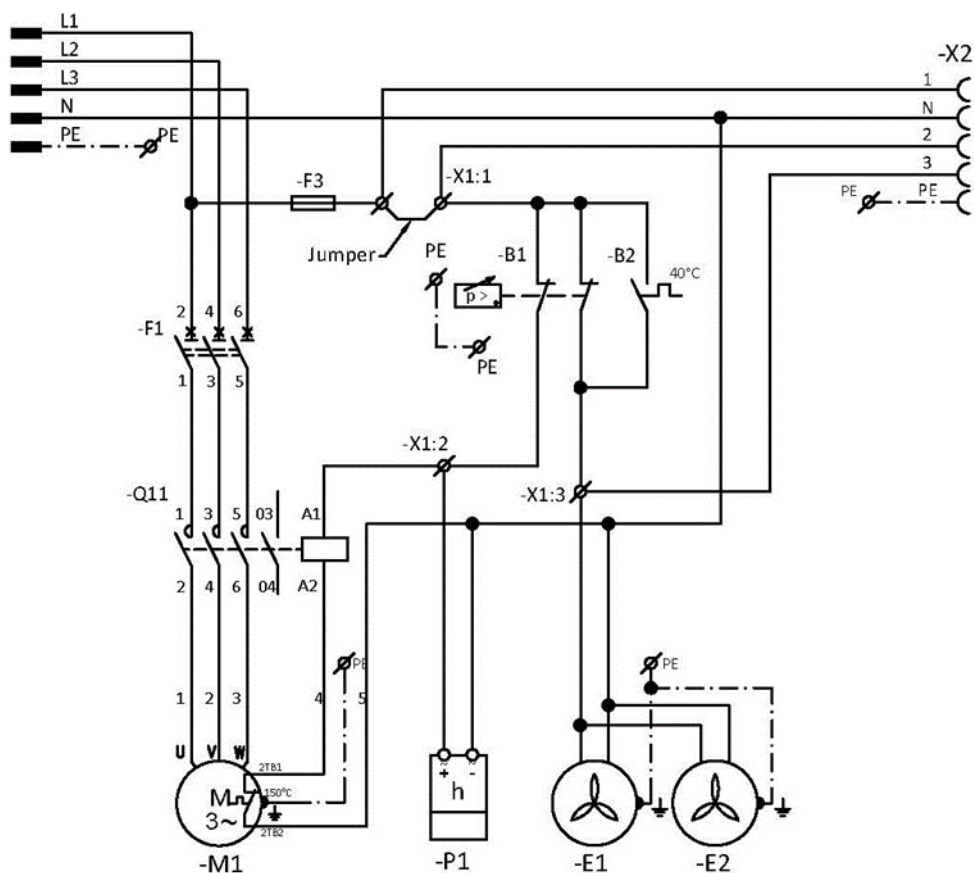
DK50 4VR/50

6 - 8 bar, 8 – 10 bar

3/N/PE~400V, 50Hz

Sieć TN-S [TN-C-S]

PRODUKT ELEKTRYCZNY KLASY 1.



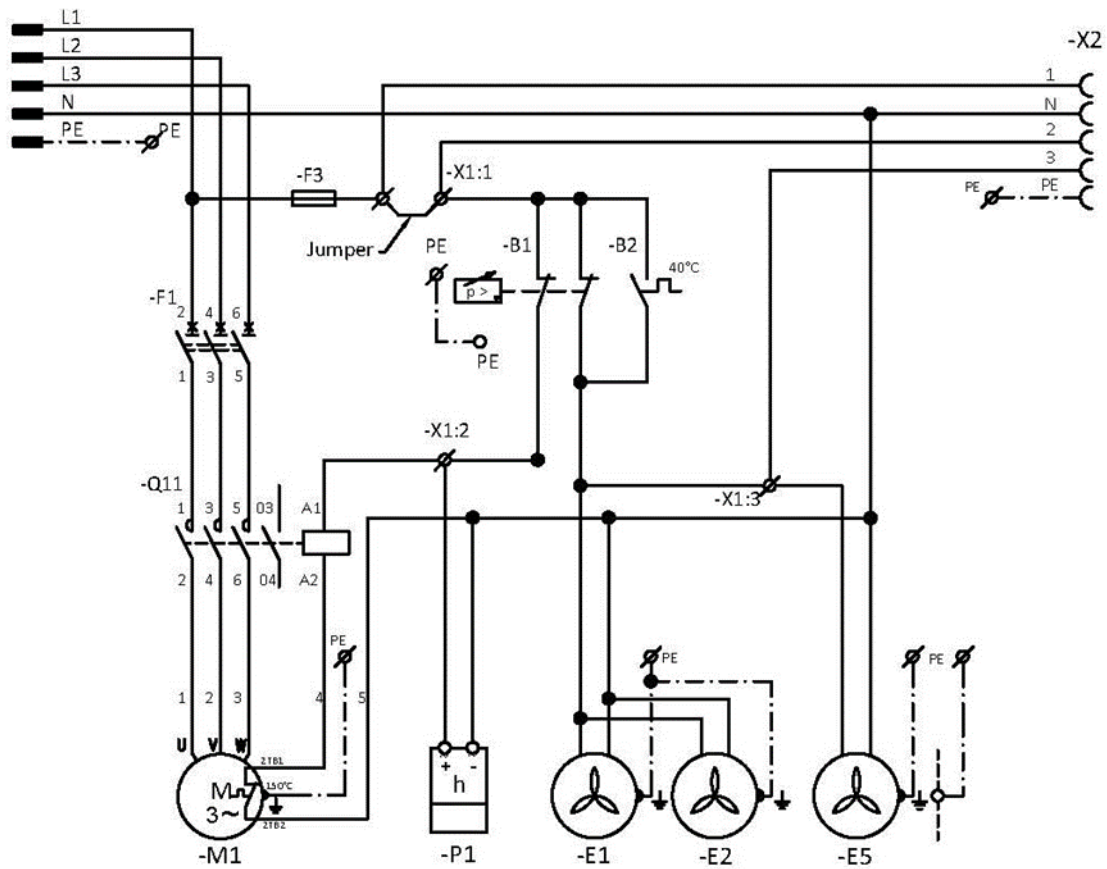
DK50 4VR/50/M

6 - 8 bar, 8 - 10 bar

3/N/PE~400V, 50Hz

Sieć TN-S [TN-C-S]

PRODUKT ELEKTRYCZNY KLASY 1.



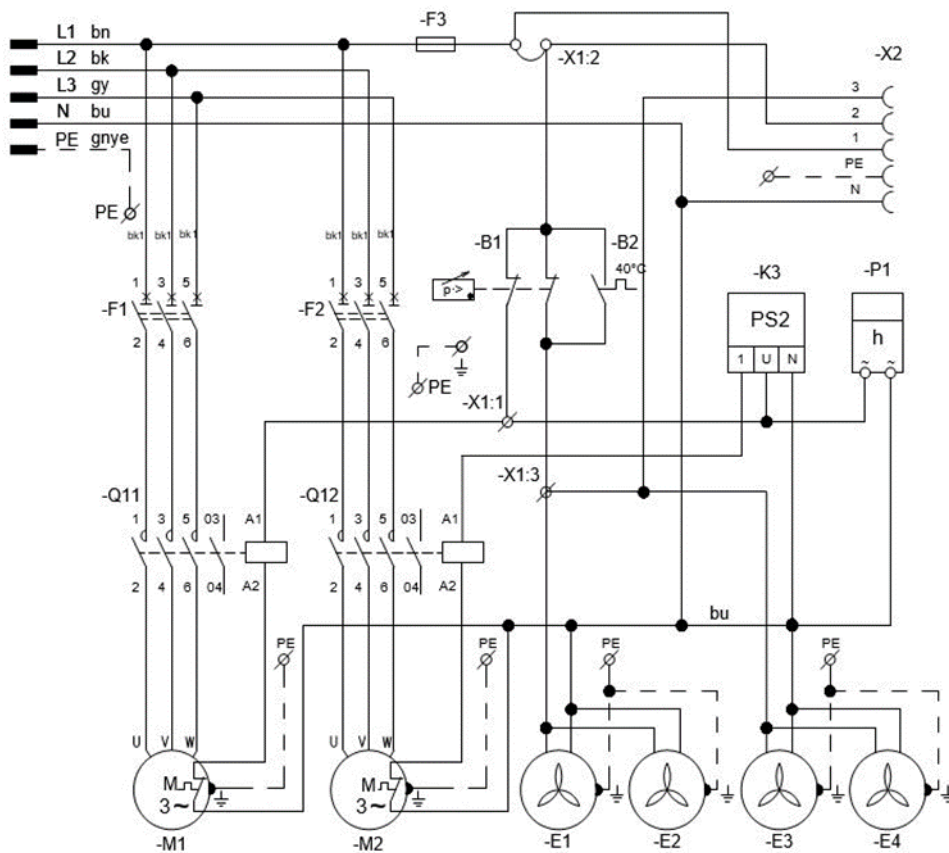
DK50 2x4VR/110

6 - 8 bar, 8 - 10 bar

3/N/PE~400V, 50Hz

Sieć TN-S [TN-C-S]

PRODUKT ELEKTRYCZNY KLASY 1.



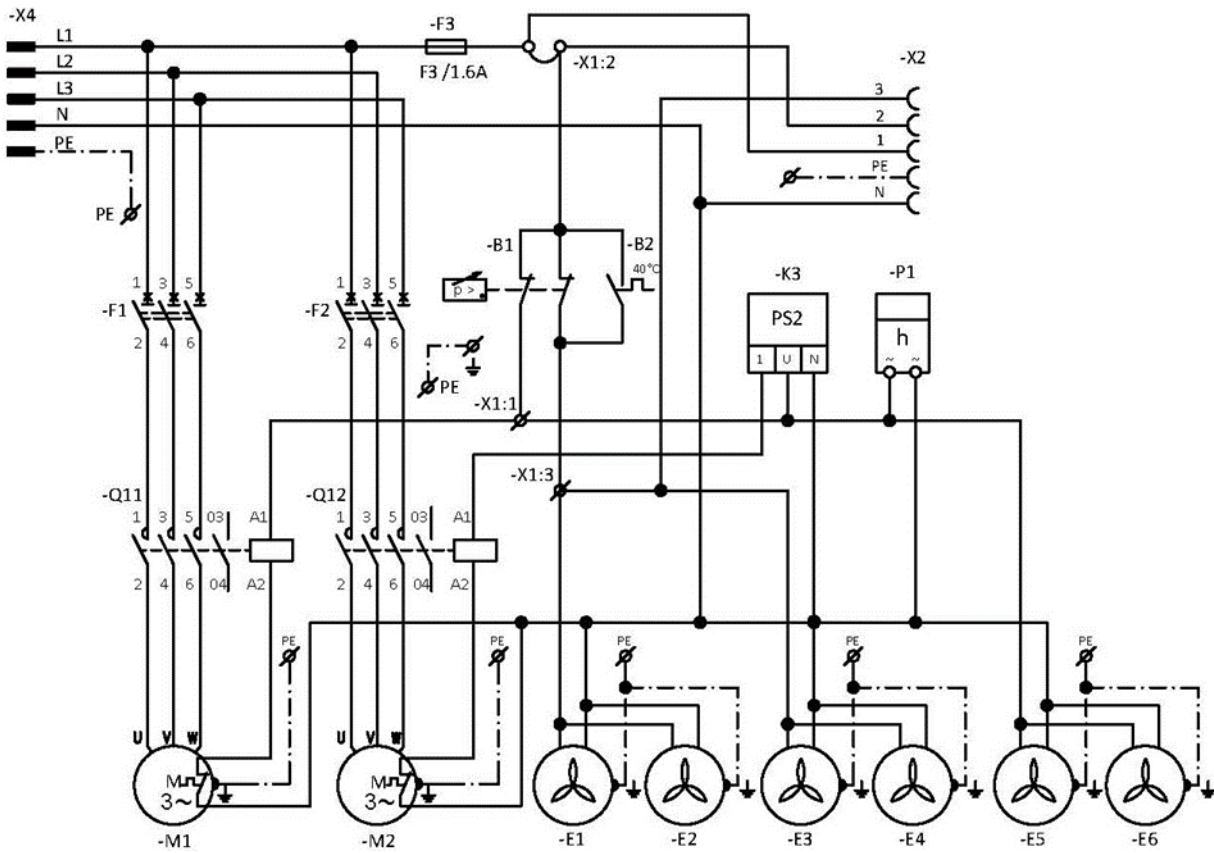
DK50 2x4VR/110/M

6 - 8 bar, 8 - 10 bar

3/N/PE~400V, 50Hz

Sieć TN-S [TN-C-S]

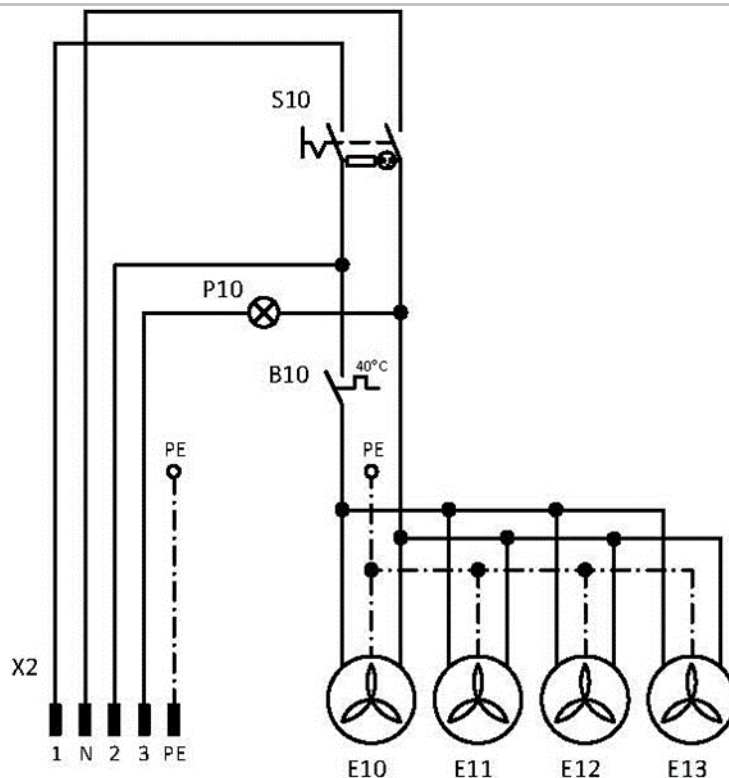
PRODUKT ELEKTRYCZNY KLASY 1.



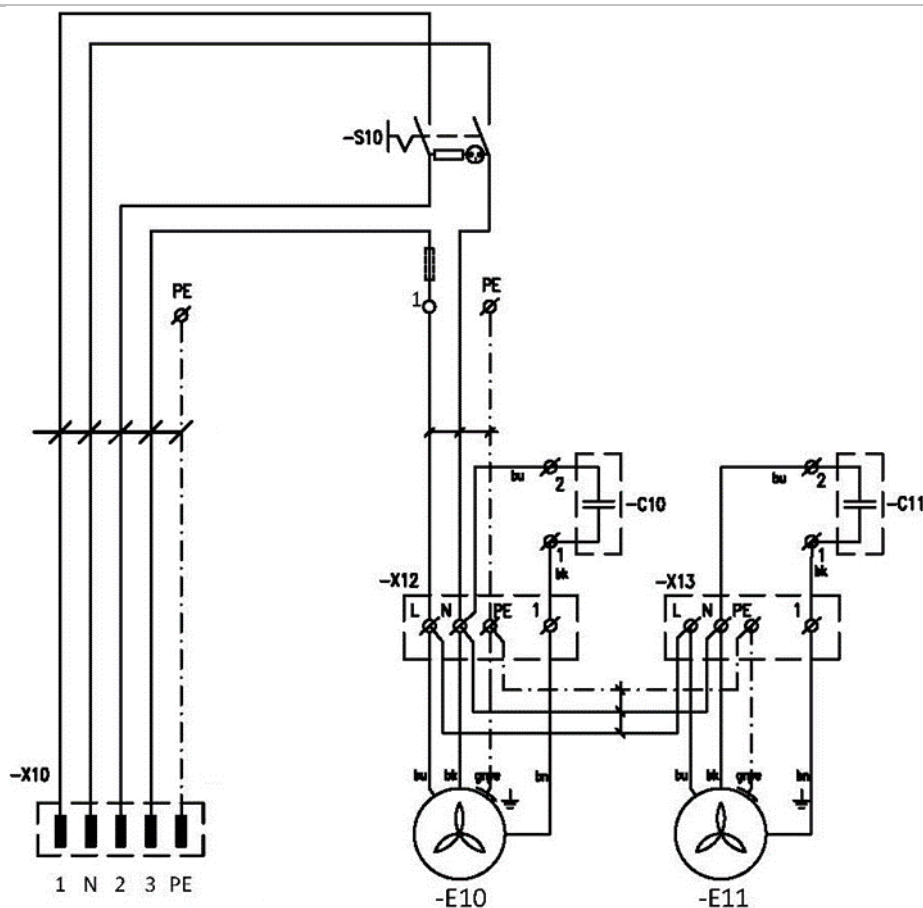
Obudowa sprężarki

1/N/PE ~ 230V 50/60Hz

PRODUKT ELEKTRYCZNY KLASY 1.



DK50 4VR/50



DK50 2x4VR/110

Opis schematów elektrycznych:

M1, M2	Silnik sprężarki	X1	Listwa zaciskowa
E1 – E4	Wentylator sprężarki	X2	Złącze
F3	Bezpiecznik	M11, M12	Zawór elektromagnetyczny osuszacza
F1, F2	Przerywacz	E5 – E8	Wentylator osuszacza
K3	Blok opóźnienia silnika	S10	Przełącznik
B1	Przełącznik ciśnieniowy	E10-13	Wentylator obudowy
B2	Przełącznik temperaturowy	X10, X11	Złącze
Q11,12	Stycznik	P10	Tlejivka
P1	Licznik czasu	B10	Przełącznik temperaturowy

OBSŁUGA

URZĄDZENIE MOŻE OBSŁUGIWAĆ TYLKO PRZESZKOLONY PERSONEL.



Ryzyko porażenia prądem elektrycznym.

W sytuacji awaryjnej należy odłączyć sprężarkę od sieci zasilającej (wyjąć wtyczkę z gniazda).



Ryzyko poparzenia lub pożaru.

W trakcie działania sprężarki części agregatu mogą być nagrzane i niebezpieczne dla ludzi i rzeczy.



Ostrzeżenie — sprężarka jest sterowany automatycznie.

Automatyczne uruchomienie. Kiedy ciśnienie w zbiorniku ciśnieniowym spadnie poniżej ciśnienia włączającego, sprężarka automatycznie się włączy. Kiedy ciśnienie w zbiorniku powietrza osiągnie wartość wyłączającą, sprężarka automatycznie się wyłączy.



Możliwość uszkodzenia części pneumatycznych.

Nie należy zmieniać fabrycznych ustawień ciśnienia roboczego przełącznika ciśnieniowego. Praca sprężarki pod ciśnieniem poniżej wartości przełączenia wskazuje na duże zużycie powietrza (patrz rozdział Rozwiązywanie problemów).



Wymagają skuteczność suszenia można uzyskać tylko w podanych warunkach działania.

Skuteczność suszenia i punkt rosy spadnie, jeśli osuszacz będzie działał pod ciśnieniem poniżej minimalnej wartości roboczej.



W trakcie działania sprężarki temperatura wokół niej może wzrosnąć do ponad 40°C. W tym momencie nastąpi automatyczne załączenie wentylatora chłodzącego. Wentylator wyłączy się, gdy temperatura otoczenia spadnie do około 32°C.

16. WŁĄCZANIE SPRĘŻARKI

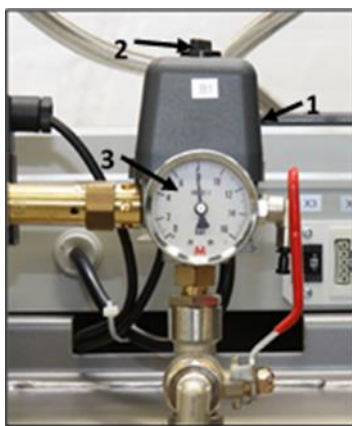
pozycji „I”. Spowoduje to uruchomienie sprężarki i napełnienie zbiornika do ciśnienia odcięcia, które spowoduje wyłączenie sprężarki.

Uruchom sprężarkę (z obudową) przy przełączniku (4) z przodu obudowy. Zapali się zielona lampka. Nastąpi uruchomienie sprężarki i napełnienie zbiornika do ciśnienia odcięcia, które spowoduje wyłączenie sprężarki.

Sprężarka działa w trybie automatycznym i jest włączana i wyłączana przez przełącznik ciśnieniowy w zależności od stopnia zużycia sprężonego powietrza.

Sprawdź wartości ciśnienia załączania i wyłączania na ciśnieniomierzu (3). Tolerancja w zakresie $\pm 10\%$ jest akceptowalna. Ciśnienie w zbiorniku powietrza nie może przekraczać dozwolonego ciśnienia roboczego.

Rys. 14: Włączanie sprężarki



Ryzyko uszkodzenia elementów pneumatycznych.

Przełącznik ciśnieniowy (1) został ustawiony przez producenta i zmiany tych ustawień może dokonać wyłącznie wykwalifikowany technik przeszkolony przez producenta.

17. WYŁĄCZENIE SPRĘŻARKI

- Wyłączenie sprężarki w celu naprawy lub innego powodu odbywa się za pomocą przełącznika ciśnienia (1), poprzez obrócenie przełącznika (2) do pozycji „0” (Rys. 14) i **wyciągnięcie wtyczki z gniazda sieciowego**. W ten sposób kompresor zostaje odłączony od źródła zasilania.
- Spuść powietrze ze zbiornika powietrza, otwierając zawór spustowy.

KONSERWACJA PRODUKTU**18. KONSERWACJA PRODUKTU**

Operator powinien regularnie sprawdzać urządzenie w okresach określonych przez odpowiednie przepisy. Wyniki testów należy zapisywać.

Urządzenie zaprojektowano i wyprodukowano w taki sposób, aby ograniczyć ilość konserwacji do minimum. Aby zapewnić prawidłowe i niezawodne działanie sprężarki, należy przestrzegać poniższych zaleceń.



Interwencja niepowołanych osób — zagrożenie.

Prace naprawcze poza standardowymi czynnościami konserwacyjnymi (patrz rozdział 18.1) mogą być przeprowadzane wyłącznie przez wykwalifikowanego technika (organizację autoryzowaną przez producenta) lub serwis producenta.

Standardowe czynności konserwacyjne (patrz rozdział 18.1) mogą być przeprowadzane wyłącznie przez przeszkolony personel operatora.

Należy używać wyłącznie części zamiennych i akcesoriów zatwierdzonych przez producenta.



Niebezpieczeństwo zranienia lub uszkodzenia sprzętu.

Przed rozpoczęciem prac konserwacyjnych przy sprężarce należy:

- **sprawdzić, czy da się odłączyć sprężarkę od urządzenia, aby uniknąć ryzyka zranienia osoby korzystającej z tego urządzenia lub uszkodzenia materiałów;**
- **wyłączyć sprężarkę;**
- **odłączyć ją od sieci, wyjmując wtyczkę przewodu zasilania z gniazda;**
- **spuścić sprężone powietrze ze zbiornika powietrza.**



Wypuszczanie sprężonego powietrza stwarza ryzyko zranienia.

Podczas spuszczenia sprężonego powietrza z obwodu wysokociśnieniowego (zbiornika powietrza) i komory osuszacza należy mieć założone okulary ochronne.



Ryzyko poparzenia.

W trakcie działania sprężarki i krótko po jej wyłączeniu niektóre części pompy powietrza mogą być gorące. Nie należy ich dotykać.



Uziemienie odłączone na czas prac serwisowych należy podłączyć z powrotem po ich zakończeniu.

- w celu przeprowadzenia prac konserwacyjnych lub naprawczych sprężarkę można wyjąć z obudowy (wyciągając ją na kółkach na odległość, na jaką pozwala przewód łączący sprężarkę z obudową). (patrz rozdz. 18) Następnie można przeprowadzić prace naprawcze lub konserwacyjne.
- Jeżeli przewód łączący sprężarkę i obudowę odłączy się (nastąpi wypadnięcie wtyczki sieciowej, patrz rozdz. 13.2), sprężarka nie będzie działała. Aby przywrócić funkcjonalność sprężarki, należy wykonać czynności opisane w rozdz. 13.2, 18.10 lub 18.11.

18.1. Okresy konserwacyjne

Odstęp czasu	50 Hz	Raz dziennie	Raz na tydzień	Raz na rok	Raz na dwa lata	Raz na					20000 h	Zestaw części zamiennych	Wykona wca	
						2000 h	4000 h	6000 h	8000 h	10000 h				12000 h
Kontrola działania produktu		x										18.2	-	użytkownik
Spuszczenie kondensatu ze zbiornika powietrza — przy wysokiej wilgotności		x										18.5	-	użytkownik
Spuszczenie kondensatu ze zbiornika powietrza — przy normalnej wilgotności			x									18.5	-	użytkownik
Kontrola funkcjonowania produktu			x									9	-	użytkownik
Sprawdzenie szczelności połączeń pneumatycznych i oględziny urządzenia				x								18.3	-	wykwalifikowany technik
Oględziny połączeń elektrycznych				x								18.4	-	wykwalifikowany technik
Kontrola chłodnicy i wentylatora				x								18.9	-	wykwalifikowany technik
Kontrola zaworu bezpieczeństwa				x								18.6	-	wykwalifikowany technik
Wymiana filtra wlotowego pompy i filtra wstępnego 4VR ^{a)}					x							18.7	025200139-000 025200150-000	wykwalifikowany technik

^{a)} dane są podane w godzinach, jeśli niedostępne, dane są w latach

^{b)} po usterce osuszacza należy sprawdzić działanie zaworu nadmiarowego osuszacza

^{c)} cokolwiek wystąpi pierwsze: 4 lata/8000 godzin

^{d)} cokolwiek wystąpi pierwsze: 8 lata / 20000 godzin

Odstęp czasu	50 Hz	Raz	Raz na	Raz na	Raz na								Zestaw części zamiennych	Wykona wca		
		dziennie	tydzień	rok	dwa	2000 h	4000 h	6000 h	8000 h	10000 h	12000 h	16000 h			20000 h	24000 h
Przeprowadzić „powtórny test” zgodnie z EN 62353					x									18	-	wykwalifikowany technik
Wymiana elementu filtracyjnego w osuszacza				x										18.8	025200305-000	

a) dane są podane w godzinach, jeśli niedostępne, dane są w latach

b) po usterce osuszacza należy sprawdzić działanie zaworu nadmiarowego osuszacza

c) cokolwiek wystąpi pierwsze: 4 lata/8000 godzin

d) cokolwiek wystąpi pierwsze: 8 lata / 20000 godzin

18.2. Kontrola działania produktu

- Kontrola stanu agregatu — agregaty powinny działać normalnie, nie generując nadmiernych wibracji ani hałasu. W razie pojawienia się problemów należy je rozwiązać lub wezwać serwis.
- Wizualna inspekcja działania wentylatora — wentylatory powinny działać w trakcie działania agregatów. W razie pojawienia się problemów należy je rozwiązać lub wezwać serwis.
- Sprawdź, czy przewód zasilania i węże pneumatyczne nie są uszkodzone. Wymień uszkodzone części lub wezwij serwis.
- Sprawdź temperaturę otoczenia — powinna być niższa od dopuszczalnej wartości (40°C). Obniż temperaturę, jeśli jest za wysoka.
- Sprężarka z osuszaczem powietrza — otwórz korek w naczyniu zbiorczym kondensatu, aby spuścić kondensat.
- Sprawdź stan działania sprzętu (patrz rozdział 18.4).

18.3. Sprawdź szczelność połączeń węży pneumatycznych i przeprowadź inspekcję sprzętu

Sprawdzanie szczelności

- Sprawdź szczelność przewodów wysokociśnieniowych podczas działania sprężarki — ciśnienie wytwarzane przez sprężarkę.
- Sprawdź szczelność wszystkich złączy i połączeń za pomocą specjalnego przyrządu lub wody z mydłem. W razie wykrycia nieszczelności dociśnij lub ponownie uszczelnij połączenia.

Inspekcja sprzętu

- Sprawdź agregat sprężarki pod kątem normalnego działania i poziomu hałasu.
- Test działania wentylatora — wentylatory powinny działać w określonych cyklach pracy sprężarki.
- Sprawdź działanie przełącznika temperaturowego (B2) — podgrzej go do temperatury powyżej 40°C (np. za pomocą opalarki — nie poddawaj wysokiej temperaturze elementów plastikowych znajdujących się w pobliżu, ponieważ mogą one ulec zniekształceniu). Wentylator E1, E3 — sprężarka musi znajdować się pod napięciem.
- Sprawdź stan filtrów — filtry muszą być nieuszkodzone i czyste.
- Sprawdź stan pompy. Sprawdź, czy w skrzyni korbowej nie ma zanieczyszczeń i czy nie ma luzów na wale korbowym.
- W razie wykrycia usterek wymień wszystkie uszkodzone części.
- Wymień wszystkie uszkodzone części w razie potrzeby.
- Sprawdź stan działania sprzętu (patrz rozdział 18.4).

18.4. Oględziny połączeń elektrycznych



Ryzyko porażenia prądem elektrycznym.

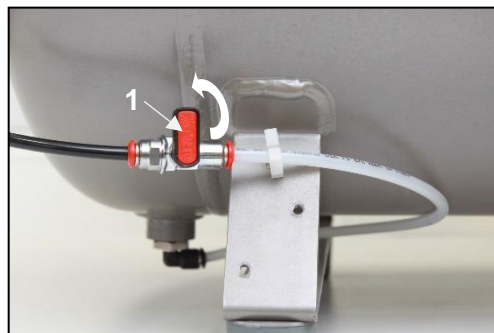
Połączenie elektryczne produktu należy sprawdzać po odłączeniu od zasilania sieciowego.

- Sprawdź działanie przełącznika głównego pod względem mechanicznym.
- Sprawdź, czy przewód zasilania i przewodniki są nieuszkodzone.
- Skontroluj wizualnie, czy kable są podłączone do skrzynki zaciskowej.
- Sprawdź wszystkie połączenia śrubowe zielono-żółtego przewodu uziemiającego PE.

18.5. Spust kondensatu

Sprężarki

Zaleca się opróżnianie zbiornika ciśnieniowego z kondensatu podczas normalnej eksploatacji. Odłączyć sprężarkę od sieci elektrycznej. Ciśnienie powietrza w urządzeniu obniżyć do maksymalnie 1 bara, wypuszczając powietrze przez podłączone urządzenie. Podłączyć wąż z podstawowego pakietu do zaworu spustowego. Postawić naczynie pod węzem i spuścić kondensat ze zbiornika, otwierając zawór (1).



Rys. 15: Spust kondensatu



Otwórz zawór spustowy ostrożnie i powoli. Jeśli zawór spustowy zostanie otwarty zbyt szeroko, dojdzie do niekontrolowanego wycieku kondensatu, któremu będzie towarzyszyć głośny hałas.



Zmoczenie podłogi spowodowane wyciekami będzie stwarzało ryzyko poślizgnięcia.

Sprężarki bez osuszacza mogą być wyposażone w automatyczny spust kondensatu, który odprowadza kondensat bez udziału operatora.

Sprężarki z osuszaczem

Kondensat ze sprężarek z osuszaczem powietrza jest automatycznie odprowadzany do Naczynie na kondensat.



Rys. 16: Sprawdź poziom kondensatu w naczyniu



Poziom płynu w naczyniu należy monitorować za pomocą oznaczeń (w zależności od pojemności naczynia). Kondensat należy spuszczać przynajmniej raz dziennie.



Przed przeprowadzeniem następujących kontroli należy:

- Sprężarka z obudową — zwolnij blokadę i otwórz drzwiczki obudowy.

18.6. Kontrola zaworu bezpieczeństwa

- Przekręć śrubę (2) zaworu bezpieczeństwa (1) kilka razy w lewo, aż zawór bezpieczeństwa uwolni powietrze.
- Poczekaj kilka sekund, gdy powietrze będzie uchodzić przez zawór bezpieczeństwa.
- Przekręć śrubę (2) do końca w prawo. Zawór powinien być teraz zamknięty.



Rys. 17: Kontrola zaworu bezpieczeństwa



Uszkodzenie zaworu bezpieczeństwa może spowodować wzrost ciśnienia do niebezpiecznego poziomu.

Nigdy nie należy używać zaworu bezpieczeństwa, aby obniżyć ciśnienie w zbiorniku powietrza. Może to spowodować uszkodzenie zaworu bezpieczeństwa. Zawór jest fabrycznie ustawiony na maksymalne dozwolone ciśnienie.

Nigdy nie reguluj zaworu bezpieczeństwa.



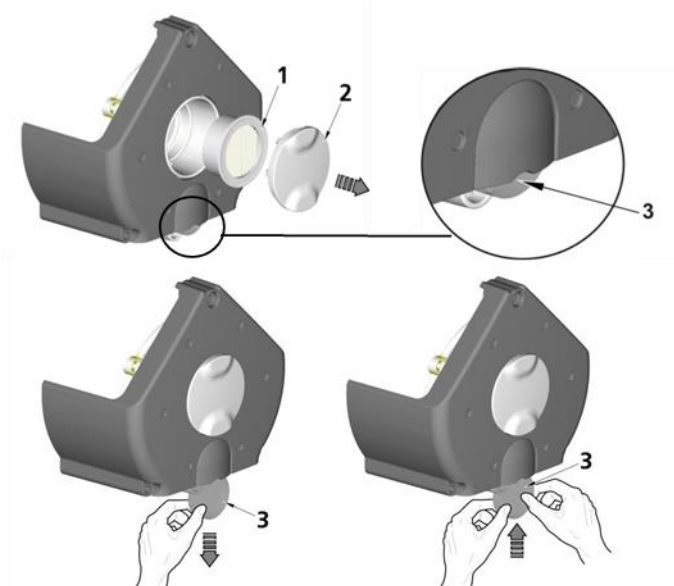
Wypuszczanie sprężonego powietrza stwarza ryzyko zranienia.

Podczas sprawdzania zaworu bezpieczeństwa należy mieć założone okulary ochronne.

18.7. Wymiana filtra wlotowego

Wymiana filtra wlotowego:

- Ręką wyjmij gumową zatyczkę (2).
- Wyjmij brudny filtr wlotowy (1).
- Włóż nowy filtr i z powrotem włóż zatyczkę gumową.



Wymiana filtra wstępnego:

- Ręką wyjmij filtr wstępny (3).
- Wymień filtr na nowy i włóż go na miejsce.

Rys. 18: Wymiana filtra wlotowego

18.8. Wymiana elementu filtracyjnego

- Wyjąć wąż (1) z szybkozłącza.
- Użyć klucza (2) do zwolnienia naczynia filtracyjnego (3) i wyjąć je.
- Wkład filtracyjny (4), demontujemy pociągając go w dół.
- Włożyć nowy wkład filtracyjny.
- Zainstalować ponownie naczynie filtracyjne.
- Dokręcić delikatnie naczynie filtracyjne za pomocą klucza.
- Zamontować wąż (1) na szybkozłączu.



Rys. 19: Wymiana elementu filtracyjnego

18.9. Kontrola chłodnicy i wentylatora

Urządzenia, w szczególności wentylator sprężarki, wentylator chłodnicy i chłodnica, muszą być utrzymywane w czystości, aby efektywnie działały. Usuń kurz z powierzchni żeber chłodnicy i łopatek wentylatora za pomocą odkurzacza lub sprężonego powietrza.

18.10. Procedura podłączania sprężarki odłączonej od obudowy



Przed każdą naprawą bieżącą lub pracą remontową sprężarkę należy wyłączyć i odłączyć od sieci elektrycznej (przez wyciągnięcie wtyczki z gniazdka).

Aby sprężarka (bez obudowy) działała prawidłowo, przewód zawsze musi być przymocowany do listwy zaciskowej. (Rys. 20 poz. C,D, Rys. 21 poz. D) Wówczas zastępuje on przełącznik na obudowie.



Jeśli do listwy zaciskowej nie zostanie podłączony przewód sprężarki (odłączony od obudowy), sprężarka nie będzie działać!

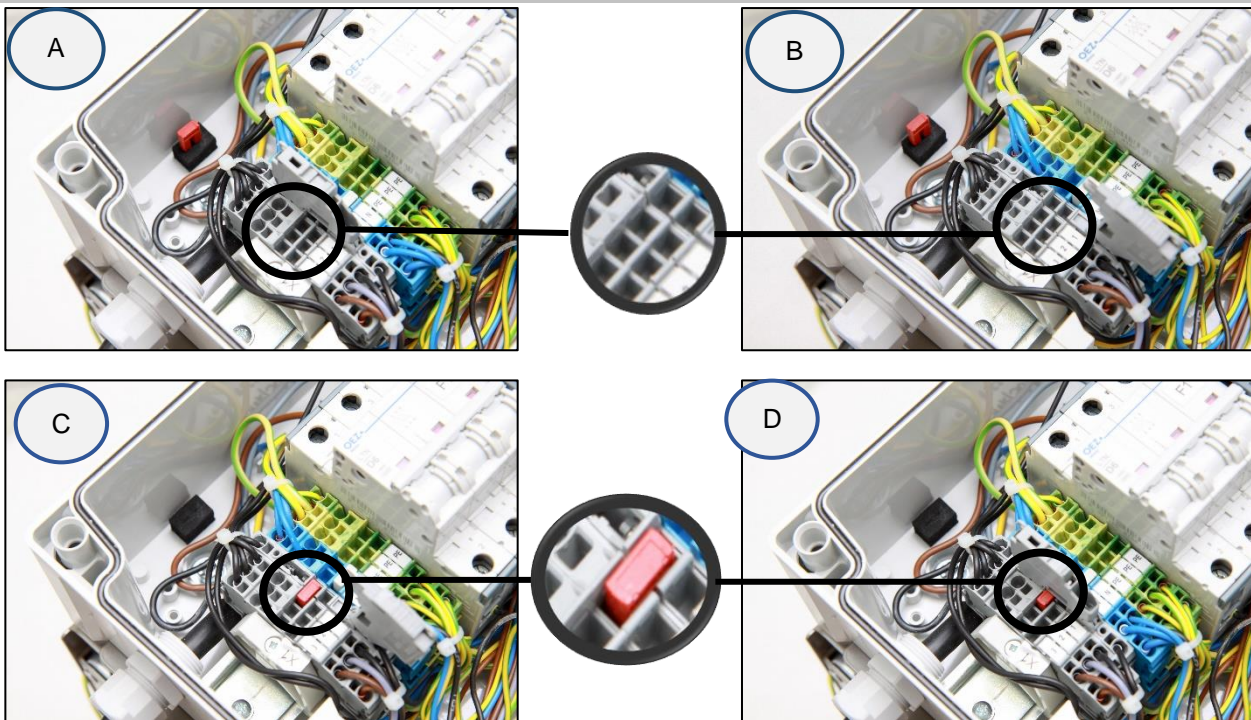
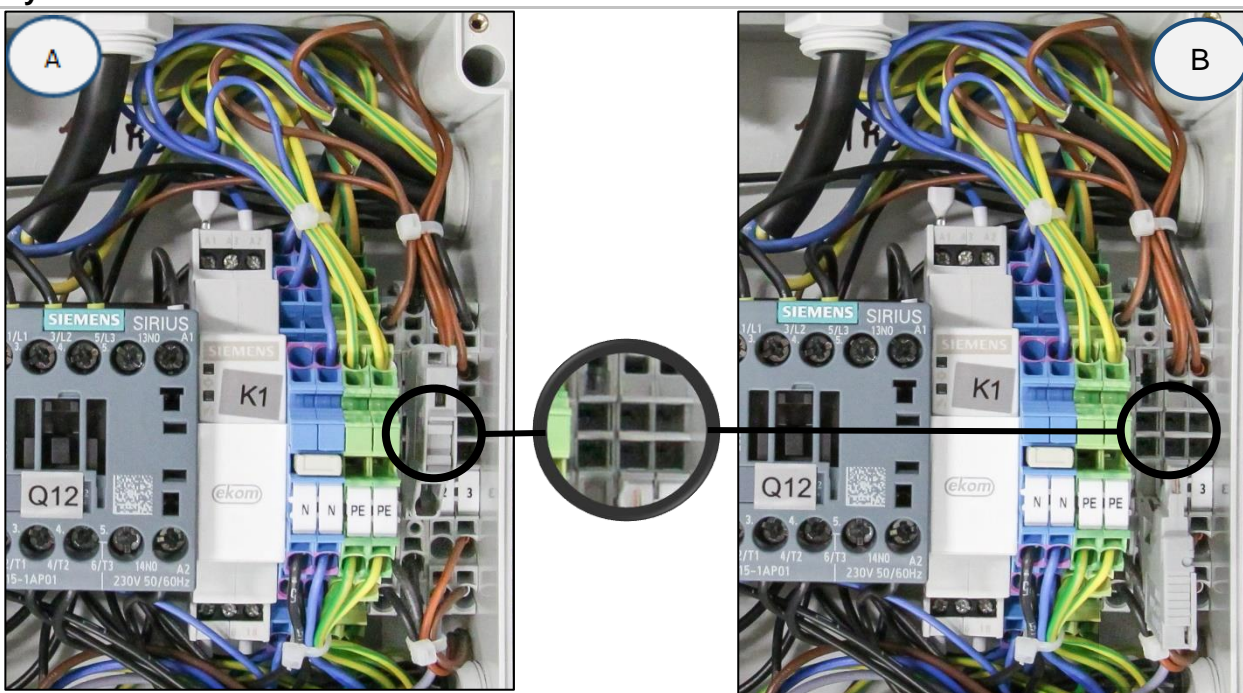
Jeżeli przewód łączący sprężarkę i obudowę zostanie odłączony (poprzez wyjęcie wtyczki sieciowej) i sprężarka zostanie wyjęta z obudowy, urządzenie nie będzie działać. Dlatego najpierw należy utworzyć połączenie z listwą zaciskową za pomocą przewodu (zastępując funkcje bezpiecznika). (Rys. 20 poz. A,B, Rys. 21 poz. A)

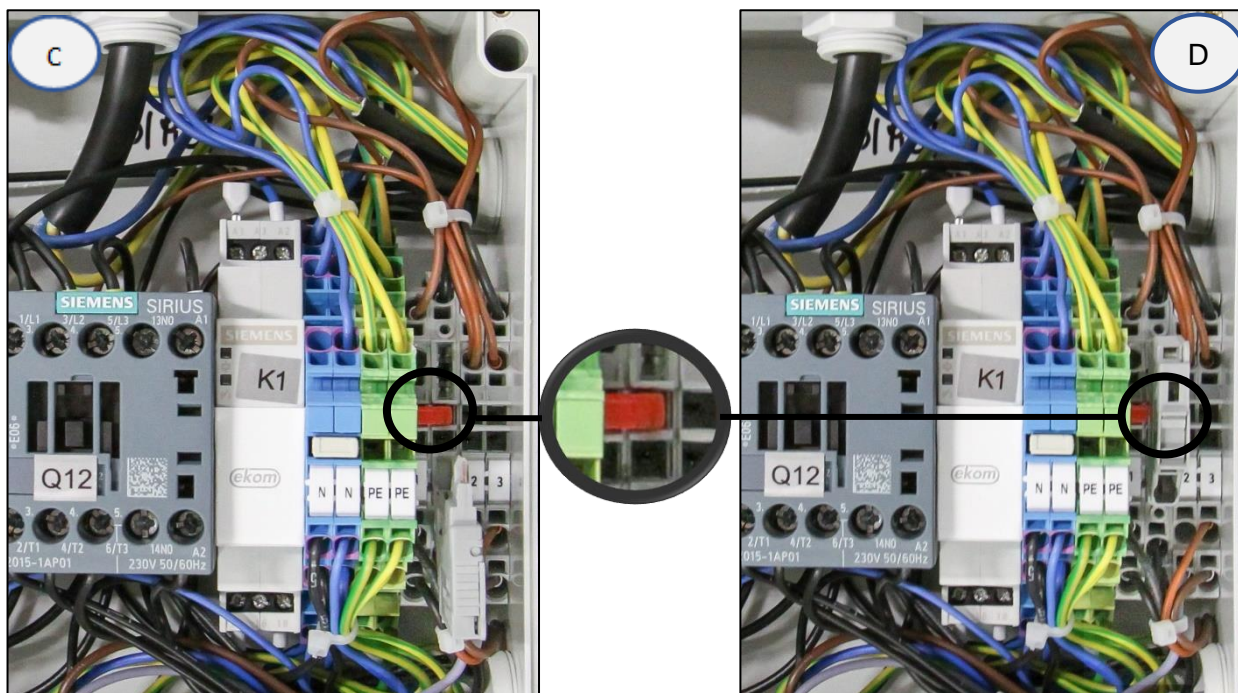
PROCES:

Instalacja przewodu (proces A-B-C-D)

- Odłącz urządzenie od sieci, wyjmując wtyczkę przewodu zasilania z gniazda.
- Zdejmij osłonę tablicy elektrycznej (na sprężarce).
- Przewód połączeniowy nie jest podłączony do listwy zaciskowej – A.
- Podnieś osłonę bezpiecznika – B.

- Połącz przewód połączeniowy z listwą zaciskową – C.
- Zamknij osłonę bezpiecznika – D.
- Z powrotem zamontuj osłonę tablicy elektrycznej.
- Podłącz urządzenie do sieci zasilającej.
- Włącz sprężarkę, obracając przełącznik na przełączniku ciśnienia.

Rys. 20: DK50 4VR/50**400V****Rys. 21: DK50 2x4VR/110**



400 V

18.11. Procedura podłączania sprężarki do nowej obudowy



Przed każdą naprawą bieżącą lub pracą remontową sprężarkę należy wyłączyć i odłączyć od sieci elektrycznej (przez wyciągnięcie wtyczki z gniazdka).

Aby sprężarka w obudowie działała prawidłowo, nie można podłączać przewodu połączeniowego do listwy zaciskowej. (Rys. 20 poz. A,B, Rys. 21 poz. A)Przełącznik na obudowie włącza i wyłącza całe urządzenie, w tym także sprężarkę.



Jeśli do listwy zaciskowej sprężarki podłączonej do obudowy jest podłączony przewód połączeniowy, przełącznik na obudowie sprężarki nie będzie działać!

Aby podłączyć do nowej obudowy sprężarkę, która wcześniej działała samodzielnie (bez obudowy), należy zlikwidować połączenie z listwą zaciskową sprężarki, postępując wg procedury opisanej niżej. (Rys. 20, Rys. 21). (Patrz także rozdz. 13.1 i 13.2).

PROCES:

Usuwanie przewodu połączeniowego (proces D-C-B-A)

- Odłącz urządzenie od sieci, wyjmując wtyczkę przewodu zasilania z gniazda.
- Zdejmij osłonę tablicy elektrycznej (na sprężarce).
- Przewód połączeniowy jest podłączony do listwy zaciskowej – D.
- Podnieś osłonę bezpiecznika – C.
- Odłącz przewód połączeniowy od listwy zaciskowej – B.
- Zamknij osłonę bezpiecznika – A.
- Z powrotem zamontuj osłonę tablicy elektrycznej.
- Włóż sprężarkę do obudowy.

- Połącz obudowę ze sprężarką, wkładając wtyczkę przewodu zasilania do gniazda zasilania. (Rys. 13)
- Podłącz urządzenie do sieci zasilającej
- Włącz sprężarkę, obracając przełącznik na przełączniku ciśnienia i przełącznik (4) na obudowie (Rys. 14).

Sprężarka z obudową – gdy sprężarka działa w obudowie, nie może być połączenia elektrycznego. (Rys. 20 poz. A,B, Rys. 21 poz. A).

Uwaga: **Jeśli sprężarka jest używana bez obudowy lub konieczne jest przeprowadzenie czynności konserwacyjnych, przewód połączeniowy odłączony od listwy zaciskowej należy przechowywać** w wyznaczonym miejscu obok tablicy elektrycznej.

18.12. Czyszczenie i dezynfekcja zewnętrznych powierzchni produktu

Zewnętrzne powierzchnie należy czyścić i dezynfekować neutralnymi środkami czyszczącymi.



Agresywne detergenty i środki dezynfekujące z alkoholem i chlorem mogą uszkodzić i odbarwić powierzchnie.

19. WYŁĄCZENIE NA DŁUGI CZAS

Jeśli sprężarka nie będzie używana przez długi czas, zaleca się spuszczenie kondensatu ze zbiornika powietrza i włączenie sprężarki na około 10 minut z pozostawionym otwartym zaworem spustowym. Następnie należy wyłączyć sprężarkę za pomocą przełącznika (2) na przełączniku ciśnieniowym (1) (Rys. 14), zamknąć zawór spustowy i odłączyć urządzenie od zasilania sieciowego.

20. UTYLIZACJA URZĄDZENIA

- Odłącz urządzenie od zasilania sieciowego.
- Wypuść powietrze ze zbiornika ciśnieniowego, otwierając zawór spustowy.
- Zutylijuj urządzenie zgodnie z wszystkimi obowiązującymi przepisami.
- Powierz zadanie posortowania i utylizacji wyspecjalizowanej firmie.
- Zużyte części nie mają negatywnego wpływu na środowisko.

ROZWIĄZYWANIE PROBLEMÓW**Ryzyko porażenia prądem elektrycznym.****Przed podjęciem jakichkolwiek czynności odłącz urządzenie od zasilania sieciowego (wyjmij wtyczkę z gniazda).****Praca z elementami pneumatycznymi pod ciśnieniem stwarza ryzyko zranienia.****Przed podjęciem jakichkolwiek czynności całkowicie wypuść powietrze ze zbiornika powietrza i układu wysokociśnieniowego.****Rozwiązywanie problemów może być wykonywane wyłącznie przez wykwalifikowanego pracownika serwisu.****Uszkodzenie zaworu bezpieczeństwa może spowodować wzrost ciśnienia do niebezpiecznego poziomu.****Nigdy nie reguluj zaworu bezpieczeństwa.**

Usterka	Możliwa przyczyna	Rozwiązanie
Sprężarka nie chce się włączyć	Brak napięcia w przełączniku ciśnieniowym	Sprawdź napięcie w gnieździe
		Sprawdź bezpiecznik – wymień, jeśli jest uszkodzony
		Poluzowany przewód na listwie zaciskowej — naprawić
		Sprawdź przewód elektryczny — wymień uszkodzony przewód
	Usterka uzwojenia silnika, uszkodzona osłona termiczna	Wymienić silnik lub uzwojenie
	Usterka kondensatora	Wymienić kondensator
	Blokada tłoka lub innej obrotowej części	Wymienić uszkodzone części
	Przełącznik ciśnieniowy nie przełącza się	Sprawdzić działanie przełącznika ciśnieniowego
Przełącznik na obudowie nie wyłącza sprężarki	W obudowie znajduje się sprężarka, która wcześniej była używana osobno (do listwy zaciskowej jest podłączony przewód połączeniowy)	Odłącz przewód połączeniowy od listwy zaciskowej, zobacz rozdz. 18.11
Sprężarka często się włącza	Wyciek powietrza z układu pneumatycznego	Sprawdź układ pneumatyczny – uszczelnij luźne połączenia
	Wyciek z zaworu zwrotnego (SV)	Wyczyść zawór zwrotny, wymień uszczelki, wymień zawór zwrotny
	Duża ilość skondensowanego płynu w zbiorniku ciśnieniowym	Spuścić skondensowany płyn
Przedłużające się działanie sprężarki	Wyciek powietrza z układu pneumatycznego	Sprawdź układ pneumatyczny – uszczelnij luźne połączenie
	Zużyty pierścień tłoka	Wymienić zużyty pierścień tłoka

	Brudny filtr wlotowy i filtra wstępnego	Wymienić brudny filtr na nowy
	Nieprawidłowe działanie zaworu elektromagnetycznego	Naprawić lub wymienić wentylator lub cewkę
Sprężarka jest głośna (stukanie, metaliczne odgłosy)	Uszkodzone łożysko tłoka, trzon tłoka, łożysko silnika	Wymienić uszkodzone łożysko
	Luźny (pęknięty) element amortyzujący (sprężyna)	Wymienić uszkodzoną sprężynę
Osuszacz nie suszy (kondensat w powietrzu) *	Wentylator chłodzący nie działa	Wymienić wentylator Sprawdzić źródło zasilania
	Uszkodzony osuszacz	Wymienić osuszacz
	Automatyczny spust kondensatu nie działa	Oczyścić / wymienić

)* Po awarii osuszacza dokładnie wyczyścić wnętrze zbiornika powietrza i usunąć skondensowany płyn.



Sprawdź zawartość wilgoci w powietrzu wychodzącym ze zbiornika powietrza (patrz rozdział Dane techniczne), aby uniknąć uszkodzenia podłączonych urządzeń.

21. USŁUGA NAPRAWY

Naprawy gwarancyjne i pogwarancyjne powinny być wykonywane przez producenta, jego autoryzowanych przedstawicieli lub pracowników serwisu zatwierdzonych przez dostawcę.

Uwaga.

Producent zastrzega sobie prawo do wprowadzania zmian w urządzeniu bez powiadomienia. Żadne z wprowadzonych zmian nie będą miały wpływu na właściwości funkcjonalne urządzenia.

OBSAH

DÔLEŽITÉ INFORMÁCIE	276
1. ZHODA S POŽIADAVKAMI SMERNÍC EURÓPSKEJ ÚNIE.....	276
2. ÚČEL URČENIA	276
3. KONTRAINDIKÁCIE A VEDĽAJŠIE ÚČINKY.....	276
4. POUŽITÉ SYMBOLY	276
5. UPOZORNENIA.....	277
6. SKLADOVACIE A PREPRAVNÉ PODMIENKY.....	279
POPIS VÝROBKU	280
7. VARIANTY	280
8. DOPLNKOVÉ VYBAVENIE.....	281
9. FUNKCIA VÝROBKU	282
TECHNICKÉ ÚDAJE	288
INŠTALÁCIA	295
10. INŠTALAČNÉ PODMIENKY	295
11. ZOSTAVENIE KOMPRESORA.....	295
12. PNEUMATICKÉ PRIPOJENIE	300
13. ELEKTRICKÉ ZAPOJENIE	302
14. PRVÉ UVEDENIE DO PREVÁDZKY	303
15. PNEUMATICKÉ A ELEKTRICKÉ SCHÉMY	304
OBSLUHA	314
16. ZAPNUTIE KOMPRESORA.....	315
17. VYPNUTIE KOMPRESORA.....	315
ÚDRŽBA VÝROBKU	316
18. ÚDRŽBA VÝROBKU	316
19. Odstavenie	325
20. LIKVIDÁCIA PRÍSTROJA.....	325
VYHĽADÁVANIE PORÚCH A ICH ODSTRÁNENIE	326
21. INFORMÁCIE O OPRAVÁRENSKEJ SLUŽBE	327
PRÍLOHA.....	381
22. ZÁZNAM O INŠTALÁCII	386

DÔLEŽITÉ INFORMÁCIE

1. ZHODA S POŽIADAVKAMI SMERNÍC EURÓPSKEJ ÚNIE

Tento výrobok je v zhode s požiadavkami Nariadenia (EÚ) o zdravotníckych pomôckach (MDR 2017/745) a je bezpečný na zamýšľané použitie pri dodržaní všetkých bezpečnostných pokynov.

2. ÚČEL URČENIA

Kompresor sa používa ako zdroj čistého bezolejového stlačeného vzduchu na napájanie aktívnych zdravotníckych pomôcok, kde stlačený vzduch vyhovuje svojimi parametrami a vlastnosťami.



Vzduch kompresora bez ďalšej úpravy nie je vhodný na pripojenie k prístrojom na umelú ventiláciu pľúc.

Akokoľvek použitie výrobku nad rámec účelu určenia sa považuje za nesprávne použitie. Výrobca nemôže niesť zodpovednosť za akokoľvek škody alebo zranenia v dôsledku nesprávneho použitia.

3. KONTRAINDIKÁCIE A VEDĽAJŠIE ÚČINKY

Nie sú známe žiadne kontraindikácie ani vedľajšie účinky.

4. POUŽITÉ SYMBOLY

V návode na použitie, na výrobku a balení sa používajú nasledujúce značky a symboly:



Všeobecná výstraha



Výstraha - nebezpečenstvo zásahu elektrickým prúdom



Výstraha - kompresor je ovládaný automaticky



Výstraha - horúci povrch



Všeobecné upozornenie



Čítaj návod na použitie



Dodržiavaj návod na použitie



CE – označenie



Zdravotnícka pomôcka



Sériové číslo



Pripojenie ochranného vodiča



Svorka pre ekvipotenciálne pospojovanie



Poistka



Manipulačná značka na obale – krehké



Manipulačná značka na obale – týmto smerom nahor



Manipulačná značka na obale – chrániť pred dažďom



Manipulačná značka na obale – teplotné medze



Manipulačná značka na obale – obmedzené stohovanie



Značka na obale – recyklovateľný materiál



Výrobca

5. UPOZORNENIA

Výrobok je navrhnutý a vyrobený tak, aby pri stanovenom spôsobe používania bol bezpečný pre používateľa aj pre okolie. Preto je potrebné riadiť sa nasledujúcimi upozoreniami.

5.1. Všeobecné upozornenia

NÁVOD NA POUŽITIE SI PRED POUŽITÍM VÝROBKU STAROSTLIVO PREČÍTAJTE A USCHOVAJTE NA ĎALŠIE POUŽITIE!

- Návod na použitie slúži na správnu inštaláciu, obsluhu a údržbu výrobku. Presné rešpektovanie tohto návodu je predpokladom pre správne používanie v zmysle zamýšľaného použitia a správnu obsluhu výrobku.
- Originálny obal uschovať pre prípadné vrátenie zariadenia. Originálny obal zaručuje optimálnu ochranu výrobku počas prepravy. Ak bude počas záručnej lehoty potrebné výrobok vrátiť, výrobca neručí za škody spôsobené nesprávnym zabalením výrobku.
- Na škody, ktoré vznikli používaním iného príslušenstva ako predpisuje alebo odporúča výrobca, sa záruka nevzťahuje.
- Výrobca preberá zodpovednosť za bezpečnosť, spoľahlivosť a funkciu výrobku len vtedy, ak:
 - inštaláciu, nové nastavenia, zmeny, rozšírenia a opravy vykonáva výrobca alebo organizácia poverená výrobcom.
 - sa výrobok používa v súlade s návodom na použitie.
- Návod na použitie zodpovedá pri tlači vyhotoveniu výrobku a stavu podľa príslušných bezpečnostno-technických noriem. Výrobca si vyhradzuje všetky práva na ochranu pre uvedené zapojenia, metódy a názvy.
- Preklad návodu na použitie je vykonaný v súlade s najlepšimi znalosťami. V prípade nejasností platí slovenská verzia textu.

- Návod na použitie je pôvodný, preklad je vykonaný v súlade s najlepšimi znalosťami.

5.2. Všeobecné bezpečnostné upozornenia

Výrobca navrhol a vyrobil výrobok tak, aby boli minimalizované akékoľvek riziká pri správnom používaní podľa zamýšľaného použitia. Výrobca považuje za svoju povinnosť popísať nasledujúce všeobecné bezpečnostné opatrenia.

- Pri prevádzke výrobku treba rešpektovať zákony a regionálne predpisy platné v mieste používania. V záujme bezpečného priebehu práce sú za dodržiavanie predpisov zodpovední prevádzkovateľ a používateľ.
- Bezpečnosť obsluhujúceho personálu a bezporuchová prevádzka výrobku sú zaručené len pri používaní originálnych častí výrobku. Používať sa môže len príslušenstvo a náhradné diely uvedené v technickej dokumentácii alebo vyslovene povolené výrobcom.
- Pred každým použitím výrobku je potrebné, aby sa používateľ presvedčil o jeho riadnej funkcii a bezpečnom stave.
- Používateľ musí byť oboznámený s obsluhou prístroja.
- Výrobok nie je určený pre prevádzku v priestoroch, v ktorých hrozí nebezpečenstvo výbuchu.
- Ak v priamej súvislosti s prevádzkou prístroja nastane nežiaduca udalosť, používateľ je povinný o tejto udalosti neodkladne informovať svojho dodávateľa.
- V prípade závažnej nehody spôsobenej pomôckou by mal túto udalosť používateľ ohlásiť výrobcovi a príslušnému orgánu v členskom štáte, v ktorom má používateľ bydlisko.

5.3. Bezpečnostné upozornenia k ochrane pred elektrickým prúdom

- Zariadenie môže byť pripojené iba na riadne namontovanú zásuvku s ochranným pripojením.
- Pred pripojením výrobku sa musí skontrolovať, či sú sieťové napätie a sieťový kmitočet uvedené na výrobku v súlade s hodnotami napájacej siete.
- Pred uvedením výrobku do prevádzky treba skontrolovať prípadné poškodenia pripájaných vzduchových a elektrických rozvodov. Poškodené pneumatické a elektrické vedenia sa musia ihneď vymeniť.
- Pri nebezpečných situáciách alebo technických poruchách je potrebné výrobok ihneď odpojiť zo siete (vytiahnuť sieťovú vidlicu).
- Pri všetkých prácach v súvislosti s opravami a údržbou musia byť:
 - sieťová vidlica vytiahnutá zo zásuvky
 - vypustený tlak z tlakovej nádrže a tlakové potrubia odvzdušnené
- Výrobok môže inštalovať len kvalifikovaný odborník.

6. SKLADOVACIE A PREPRAVNÉ PODMIENKY

Kompresor sa od výrobcu zasiela v prepravnom obale. Tým je výrobok zabezpečený pred poškodením pri preprave.



Nebezpečenstvo poškodenia pneumatických častí.

Kompresor sa smie prepravovať len bez tlaku. Pred prepravou nevyhnutne vypustiť tlak vzduchu z tlakovej nádrže a tlakových hadíc, vypustiť kondenzát zo vzdušníka a odlučovača kondenzátu na sušiči.



Originálny obal uschovať pre prípadné vrátenie zariadenia Pri preprave používať podľa možnosti vždy originálny obal kompresora pre optimálnu ochranu výrobku. Ak bude počas záručnej lehoty potrebné výrobok vrátiť, výrobca neručí za škody spôsobené nesprávnym zabalením výrobku.



Kompresor prepravovať nastojato, vždy zaistený prepravným fixovaním.



Počas prepravy a skladovania chrániť kompresor pred vysokou vlhkosťou, nečistotou a extrémnymi teplotami. Neskladovať v priestoroch spolu s prchavými chemickými látkami.



Ak nie je uschovanie originálneho obalu možné, zlikvidujte ho šetrne k životnému prostrediu. Prepravný kartón sa môže vyhodiť so starým papierom.



Zariadenie je zakázané skladovať a prepravovať mimo definovaných podmienok, pozri nižšie.

6.1. Podmienky okolia

Výrobky je možné skladovať v priestoroch a dopravných prostriedkoch bez stôp prchavých chemických látok pri nasledujúcich klimatických podmienkach:

Teplota

–25°C až +55°C

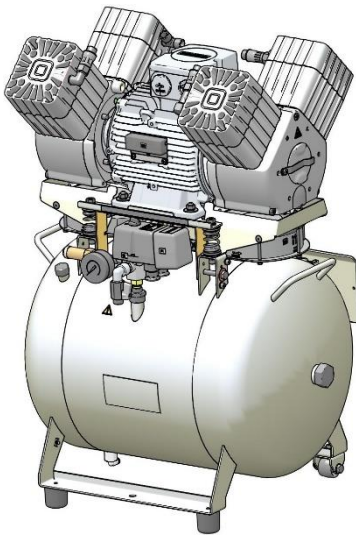
Relatívna vlhkosť

max. 90% (bez kondenzácie)

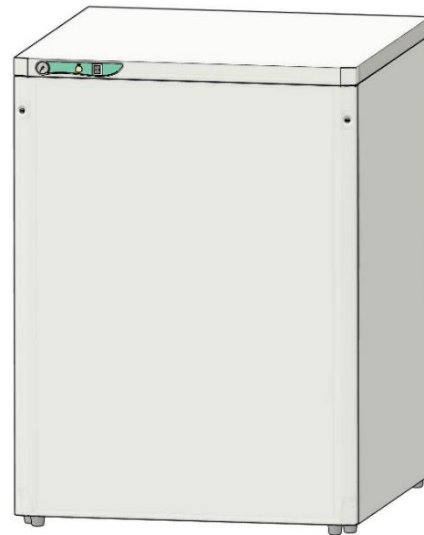
POPIS VÝROBKU**7. VARIANTY**

Kompresor sa vyrába podľa účelu v týchto variantoch:

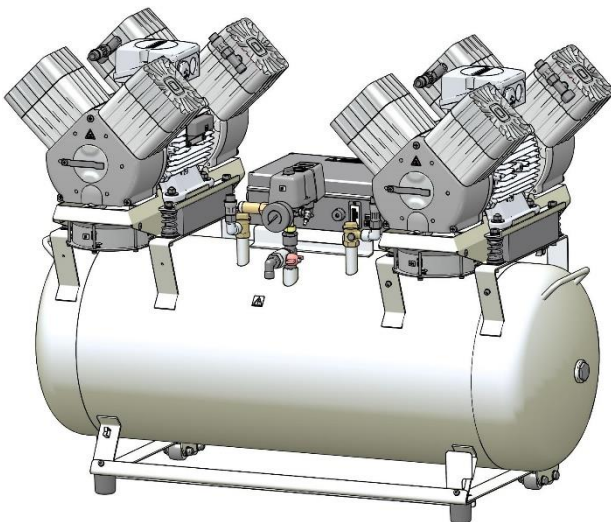
DK50 4VR/50	Kompresor pre umiestnenie v priestoroch, kde svojou činnosťou nerušia okolie
DK50 4VR/50/M	Kompresor s membránovým sušičom vzduchu
DK50 4VR/50S	Kompresor v skrinke s účinným tlmením hluku
DK50 4VR/50S/M	Kompresor v skrinke s membránovým sušičom vzduchu
Skrinka S50R	Slúži na zníženie hladiny hluku kompresora
DK50 2x4VR/110	Kompresor pre umiestnenie v priestoroch, kde svojou činnosťou nerušia okolie
DK50 2x4VR/110/M	Kompresor s membránovým sušičom vzduchu
DK50 2x4VR/110S	Kompresor v skrinke s účinným tlmením hluku
DK50 2x4VR/110S/M	Kompresor v skrinke s membránovým sušičom vzduchu
Skrinka S110R	Slúži na zníženie hladiny hluku kompresora



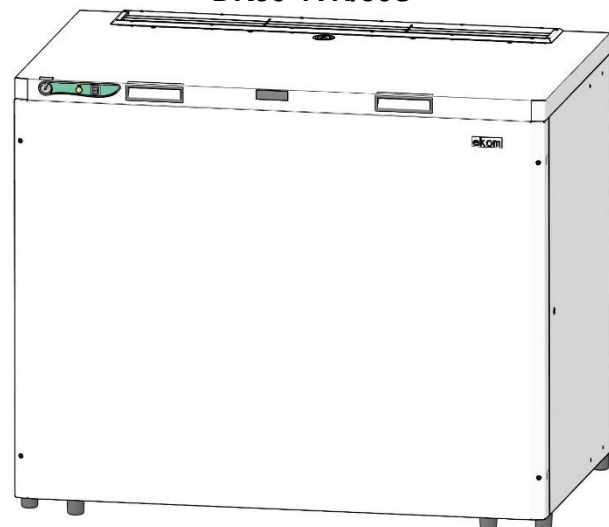
DK50 4VR/50



S50R
DK50 4VR/50S



DK50 2x4VR/110



S110R
DK50 2x4VR/110S

8. DOPLNKOVÉ VYBAVENIE

Doplňkové vybavenie nie je predmetom základnej dodávky, je potrebné objednať ho osobitne.

Automatický odvod kondenzátu

Automatický odvod kondenzátu (AOK) zabezpečuje automatické vypúšťanie skondenzovanej kvapaliny v nastavenom časovom intervale zo vzdušníka kompresora. AOK je výhodné doplniť ku kompresoru bez sušiča.

Typ	Použitie	Artiklové číslo
AOK 18	DK50 4VR/50	604014082-000
AOK 19	DK50 2x4VR/110	604014083-000

Sada filtrov výstupného stlačeného vzduchu

Kompresor môže byť vybavený sadou filtrov podľa požiadavky. Filtračná sada môže byť doplnená o regulátor tlaku vzduchu.



V prípade požiadavky na iný stupeň filtrácie vzduchu je treba túto požiadavku dohodnúť s dodávateľom a špecifikovať v objednávke.

Typ	Použitie	Stupeň filtrácie / μ m/	Artiklové číslo
FS 30F		1	604014119-014
FS 30M	DK50 4VR/50	1+0,1	604014119-015
FS 30S	DK50 4VR/50/M	1+0,01	604014119-017
FS 30A		1+0,01+A**	604014119-018
FS 40F		1	604014119-000
FS 40M	DK50 2x4VR/110	1+0,1	604014119-004
FS 40S	DK50 2x4VR/110/M	1+0,01	604014119-024
FS 40AH		1+AC+HC (0,01)	604014119-005

**) A – submikrofilter s aktívnym uhlím

Sada regulátora k filtračným sadám

Kompresor môže byť vybavený sadou regulátora tlaku výstupného stlačeného vzduchu podľa požiadavky. Regulátor je potrebné si vybrať podľa použitia k filtračnej sade, alebo samostatne. Regulátor zabezpečí konštantný tlak na výstupe z kompresora.

Typ	Použitie	Artiklové číslo
Regulátor komplet (k filtračnej sade)	DK50 4VR/50	604014130-000
REG12 (samostatný)	DK50 4VR/50/M	447000001-088
Regulátor komplet	DK50 2x4VR/110	604014125-000
REG15	DK50 2x4VR/110/M	447000001-115

Držiaky k filtračným sadám



Ku každej sade je potrebné doobjednať vhodný držiak.

Typ	Použitie	Artiklové číslo
Držiak na kompresor	DK50 4VR/50 DK50 4VR/50/M	603014177-000
Držiak na kompresor	DK50 2x4VR/110	604014131-000
Držiak na stenu	DK50 2x4VR/110/M	603014120-000

Zásuvka pre ekvipotenciálne pospojovanie

Zásuvka umožňuje ochranné pospojovanie.

Typ	Použitie	Názov	Artiklové číslo
POAG-KBT6-EC	DK50 4VR/50 DK50 4VR/50/M	Zásuvka	033400075-000
FLEXI-S/POAG-HK6	DK50 2x4VR/110 DK50 2x4VR/110/M	Vodič (1 m)	034110083-000

9. FUNKCIA VÝROBKU

9.1. Kompresor

Agregát kompresora (1) nasáva atmosférický vzduch cez vstupný filter (8) a stláča ho cez spätný ventil (3) do vzdušníka (2) a spotrebič odoberá stlačený vzduch zo vzdušníka. Ak klesne tlak vo vzdušníku na zapínací tlak, tlakový spínač (4) zapne kompresor a kompresor stláča vzduch do vzdušníka až po vypínací tlak, kedy sa vypne kompresor. Poistný ventil (5) zamedzuje prekročeniu tlaku vo vzdušníku nad maximálnu povolenú hodnotu. Vypúšťacím ventilom (7) sa vypúšťa kondenzát zo vzdušníka. Stlačený a čistý vzduch bez sŕp oleja je vo vzdušníku pripravený na ďalšie použitie.

Zo vzdušníka je potrebné v predpísaných intervaloch vypúšťať skondenzovanú kvapalinu (pozri kap. 18.1).

9.2. Kompresor s membránovým sušičom

Agregát kompresora (1) nasáva atmosférický vzduch cez vstupný filter (8) a stlačený ho dodáva chladičom (10) cez filter (18), spätný ventil (3) do sušiča (9), vysušený a čistý do vzdušníka (2). Časť vzduchu odchádza mimo sušiča spolu so zachytenou vlhkosťou, čo sa prejaví ako jemné prúdenie vzduchu popri telese sušiča (9). Kondenzát z filtra je automaticky v intervaloch vypúšťaný do nádoby na kondenzát (12) pomocou solenoidného ventilu odvodu kondenzátu (17). Sušič zabezpečí kontinuálne sušenie stlačeného vzduchu. Vypúšťacím ventilom (7), sa vypúšťa kondenzát zo vzdušníka v prípade kontroly sušenia. Stlačený, suchý a čistý vzduch bez sŕp oleja je vo vzdušníku pripravený na ďalšie použitie.

Pre optimálnu prevádzku membránového sušiča je sušič spojený so vzdušníkom priamo, bez spätného ventilu. Keďže membránový sušič obsahuje vlákna so selektívnou membránou, dochádza cez ne k malému úniku vzduchu (približne 0,5 bar/30min).

Preto postupný pomalý pokles tlaku je prítomný aj v stave bez odberu vzduchu z kompresora (zo vzdušníka) a nepredstavuje poruchu.

Tlakovú nádobu nie je potrebné odkalovať.

9.3. Skrinka kompresora

Skrinka zabezpečuje kompaktné prekrytie kompresora, účinne tlmí hluk, pričom zabezpečuje dostatočnú výmenu chladiaceho vzduchu. Ventilátor pod agregátom kompresora (11) a ventilátory skrinky (21) zabezpečujú chladenie kompresora. V činnosti je súčasne s motorom kompresora alebo po zapnutí teplotného spínača pri teplote vyššej ako 40°C. Po vychladení priestoru v skrinke približne pod 32°C sa ventilátory automaticky vypnú.



Nebezpečenstvo prehriatia kompresora.

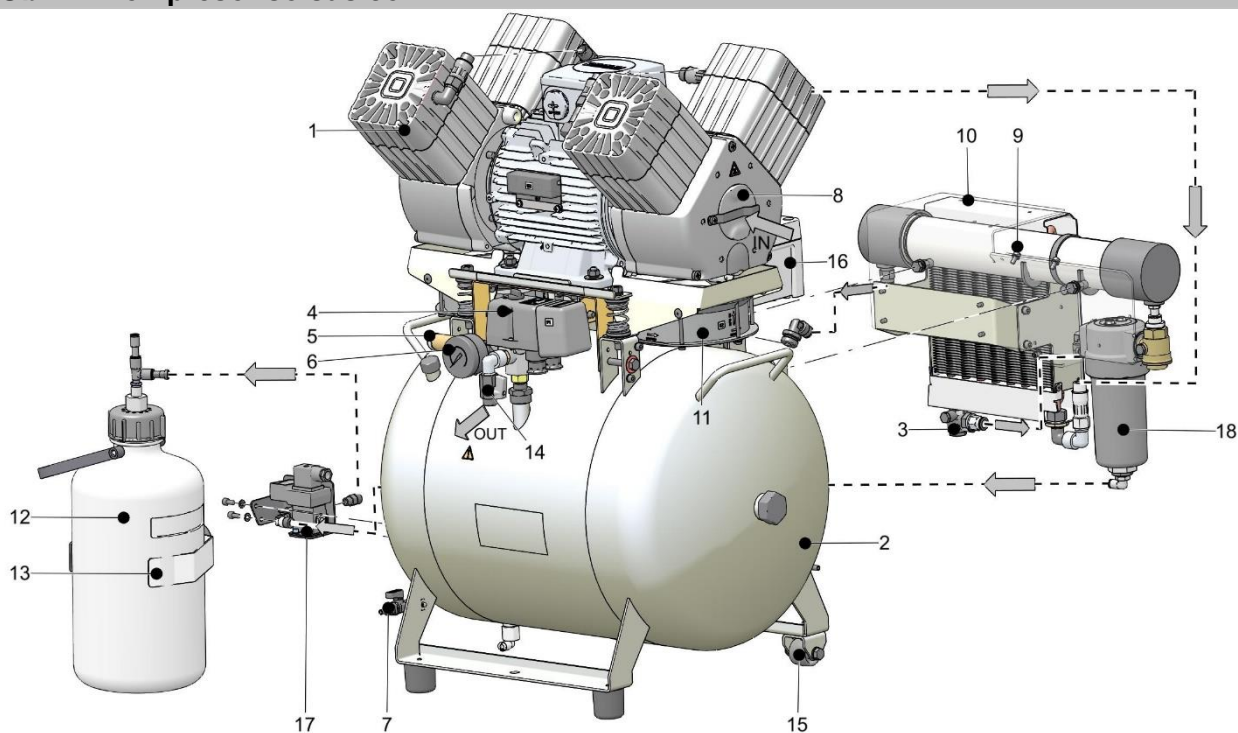
Je zakázané vytvárať prekážky na vstupe chladiaceho vzduchu do skrinky (po obvode spodnej časti skrinky) a na výstupe teplého vzduchu v hornej zadnej časti skrinky.

V prípade umiestnenia kompresora na mäkkú podlahu, napr. koberec, je nutné vytvoriť medzeru medzi základňou a podlahou alebo skrinkou a podlahou, napr. podloženie pätiiek tvrdými podložkami z dôvodu zabezpečenia dostatočného chladenia kompresora.

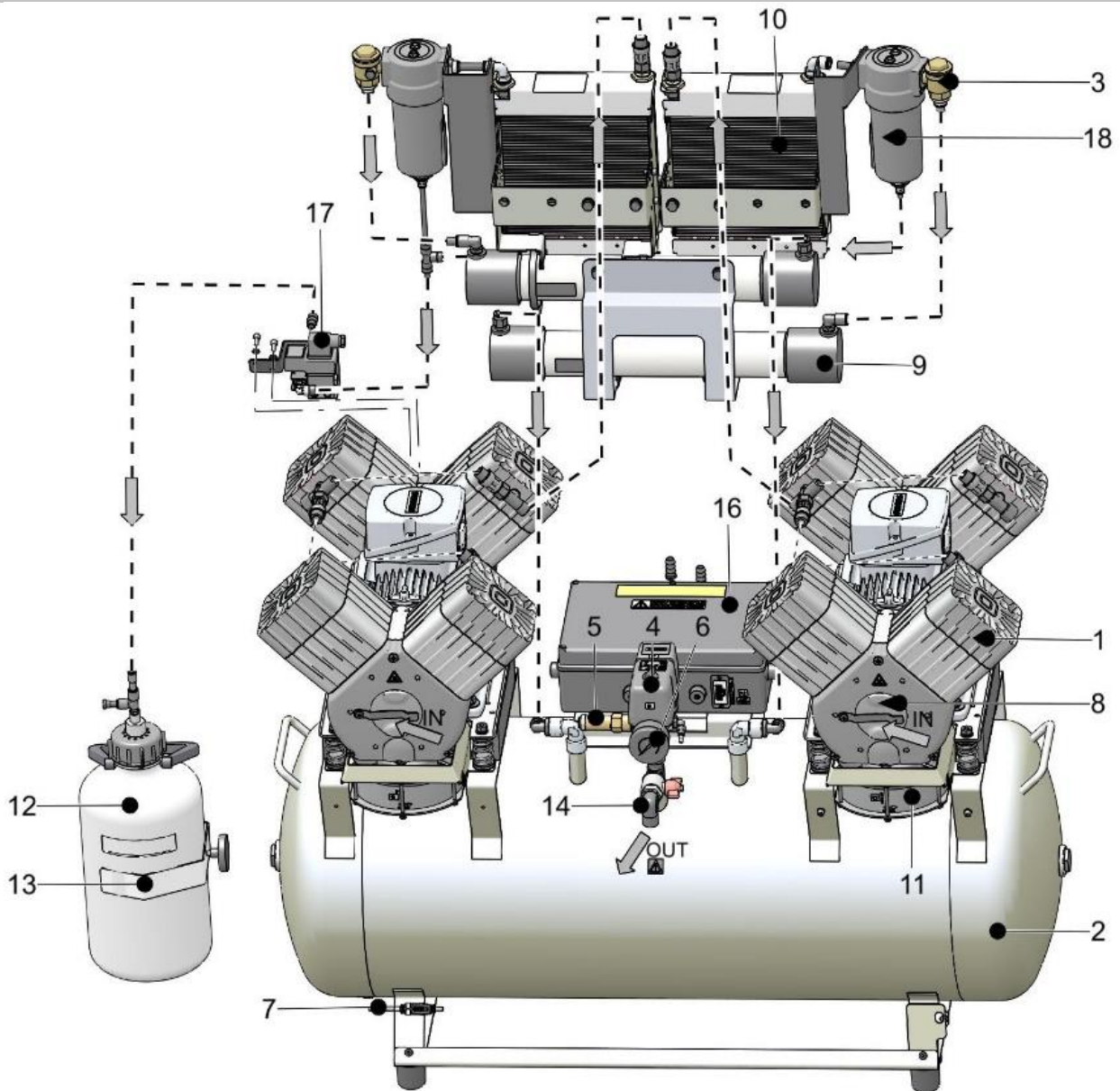
Popis k obrázkom 1 - 3

- | | |
|------------------------------|--|
| 1 Agregát kompresora | 16 Rozvodná krabica |
| 2 Vzdušník | 17 Solenoidný ventil odvodu kondenzátu |
| 3 Spätný ventil | 18 Filter |
| 4 Tlakový spínač | 21 Ventilátor skrinky |
| 5 Poistný ventil | 22 Tlakomer skrinky |
| 6 Tlakomer | 23 Vypínač |
| 7 Vypúšťací ventil | 24 Konektor skrinky |
| 8 Vstupný filter | 25 Hadička tlakomera |
| 9 Membránový sušič | 26 Odťah |
| 10 Chladič sušiča | 27 Stenový doraz |
| 11 Ventilátor kompresora | 28 Šnúra elektrického prívodu |
| 12 Nádoba na zber kondenzátu | 29 Plynové perá skrinky |
| 13 Magnetický držiak | 30 Spojovacia výstuha |
| 14 Výstup vzduchu | 31 Signálka pre servis |
| 15 Koliesko kompresora | |

Obr. 1: Kompresor so sušičom MD

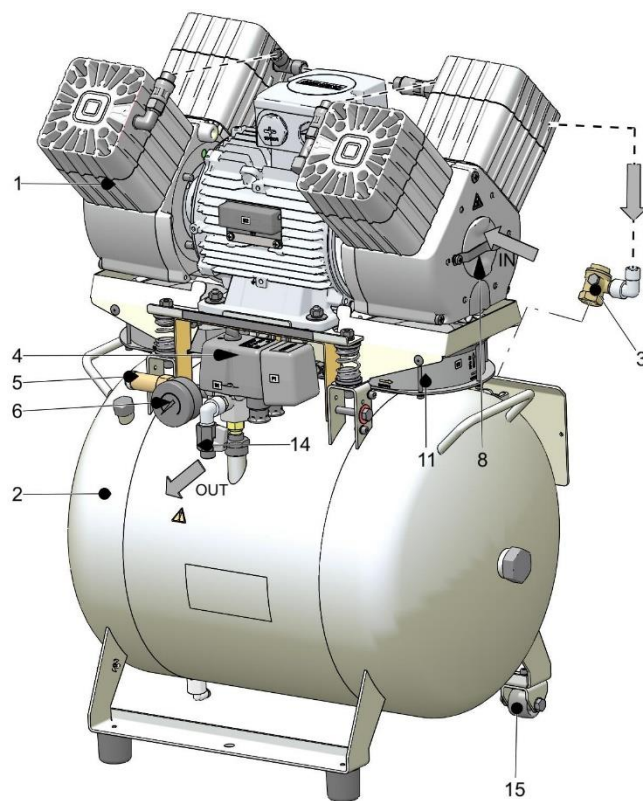


DK50 4VR/50/M

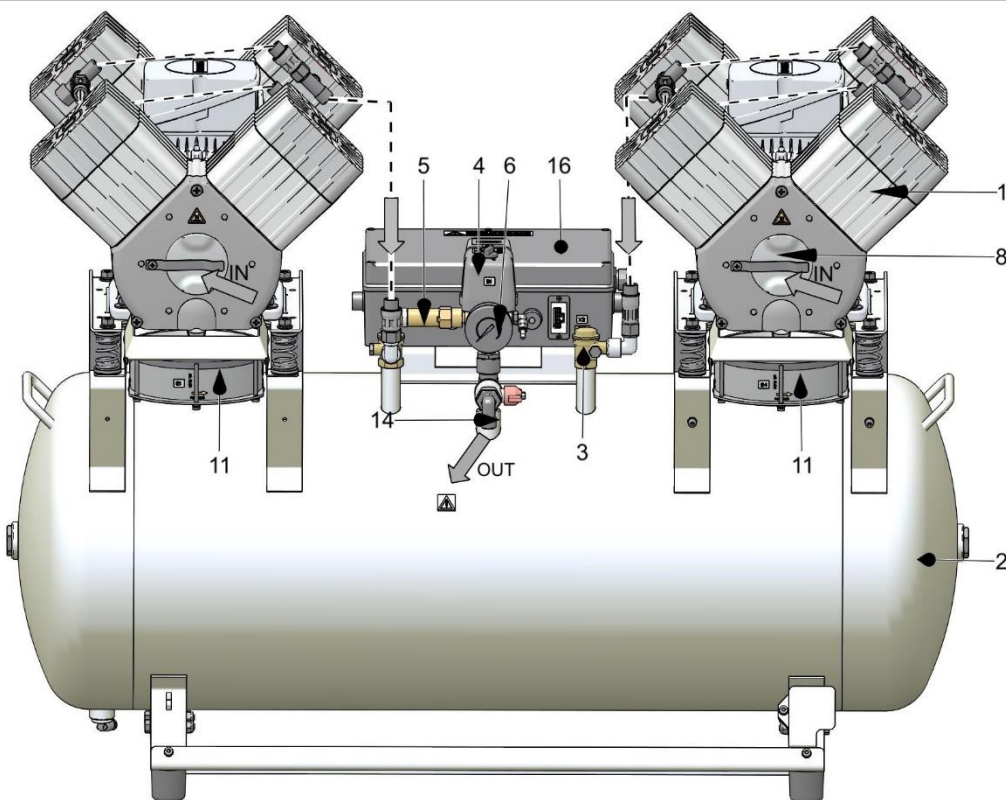


DK50 2x4VR/110/M

Obr. 2: Kompresor

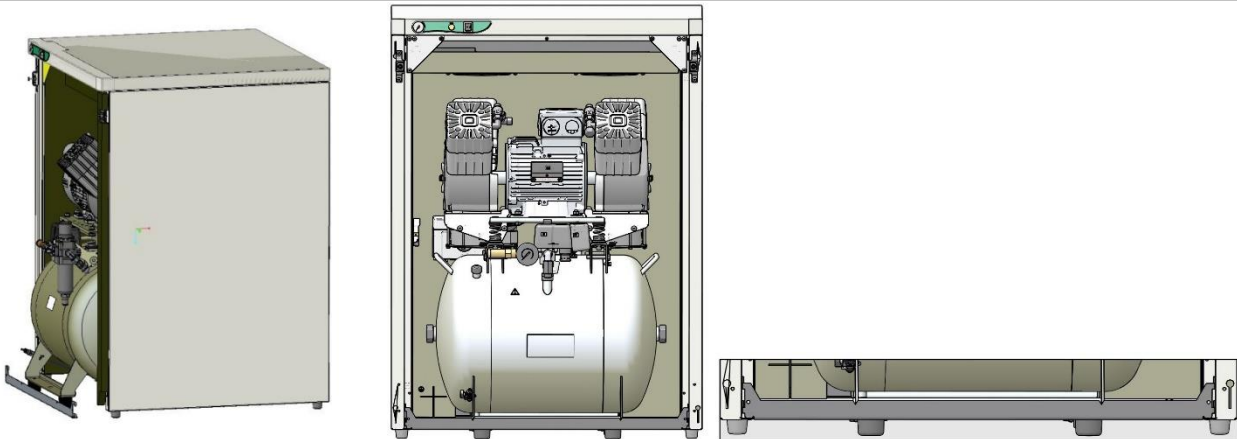
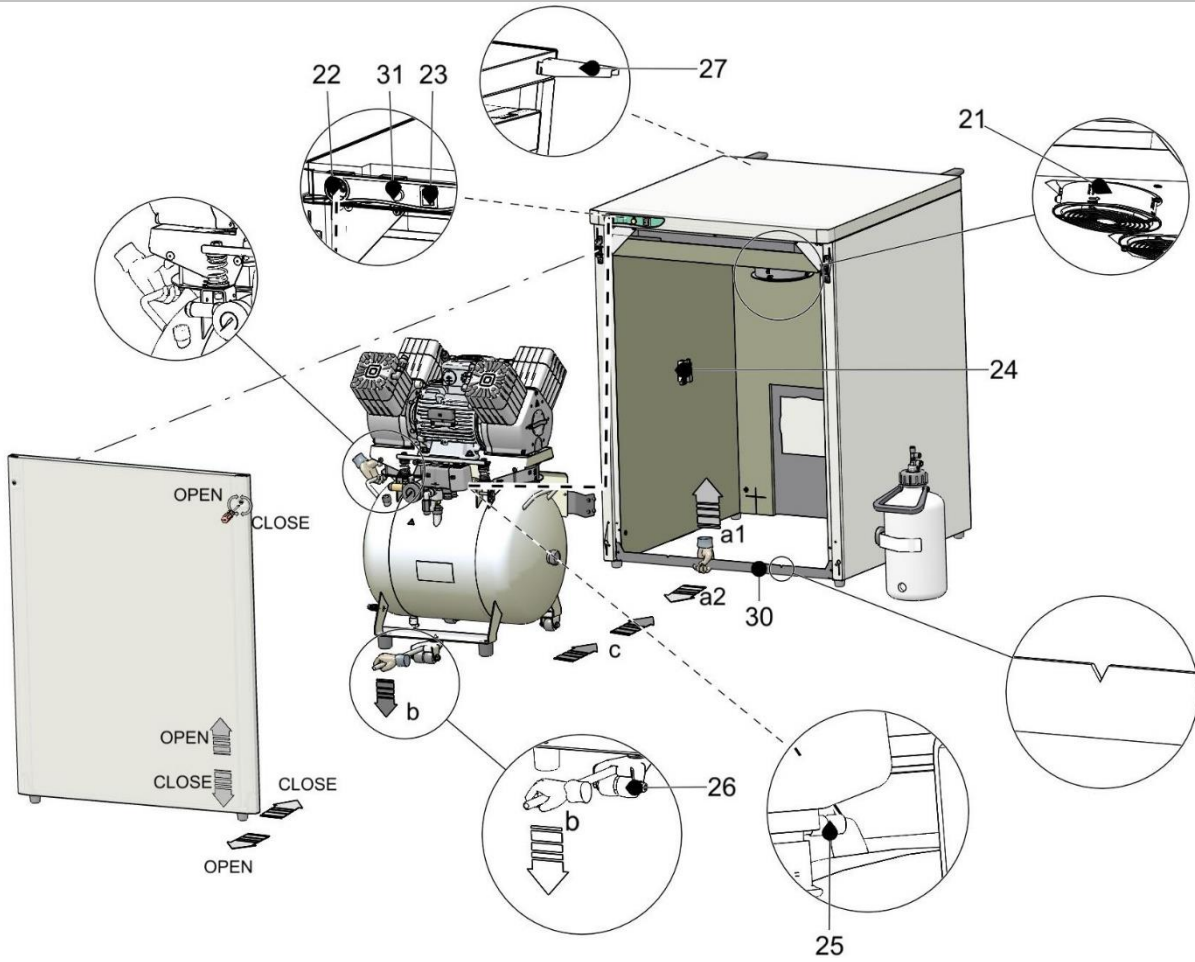


DK50 4VR/50

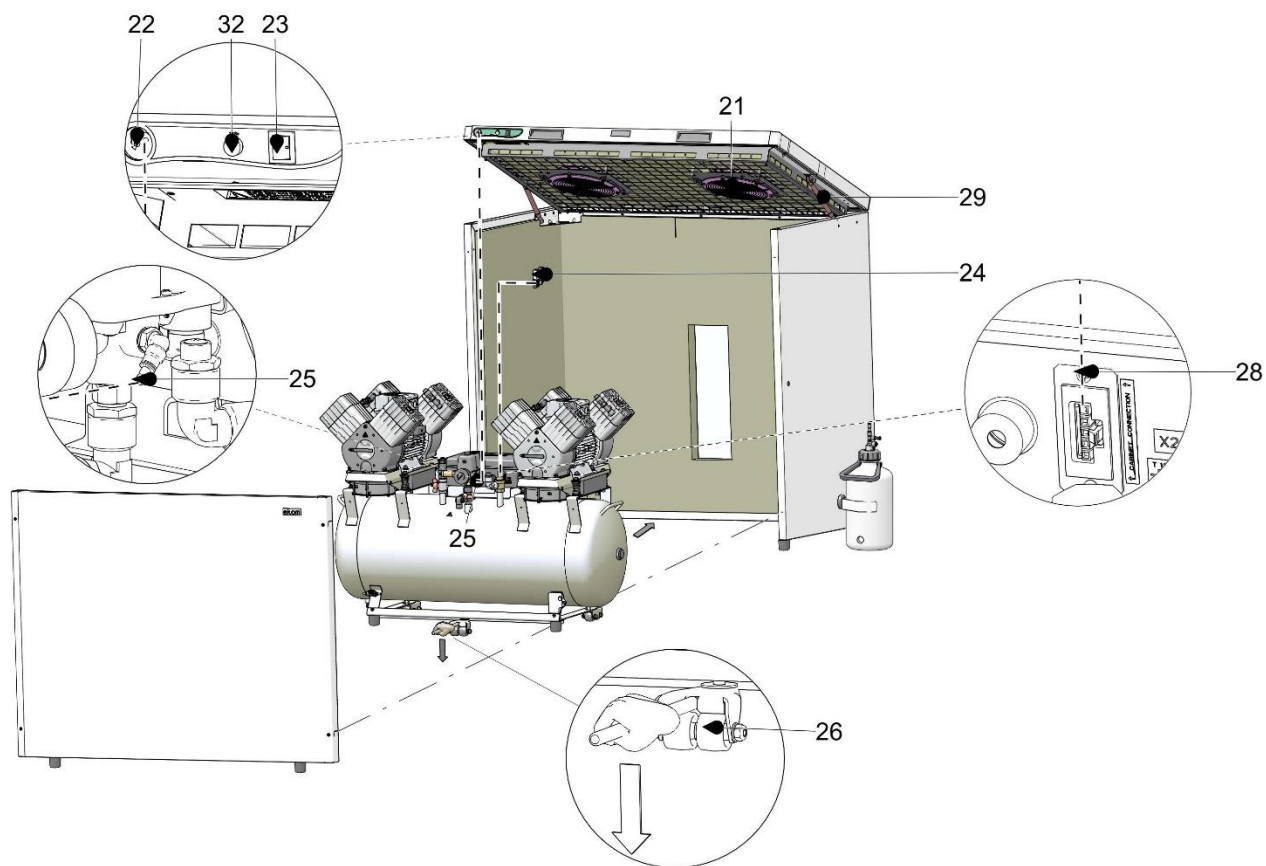


DK50 2x4VR/110

Obr. 3: Skrinka



A – DK50 4VR/50S



B – DK50 2x4VR/110S

TECHNICKÉ ÚDAJE

Kompresory sú konštruované pre prevádzku v suchých, vetraných a bezprašných vnútorných priestoroch pri nasledujúcich klimatických podmienkach:

Teplota +5°C až +40°C

Relatívna vlhkosť max. 70%

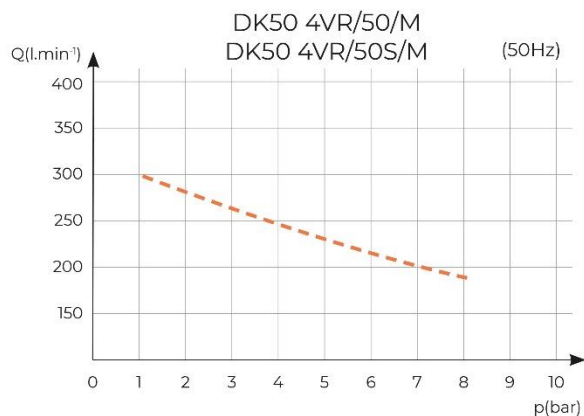
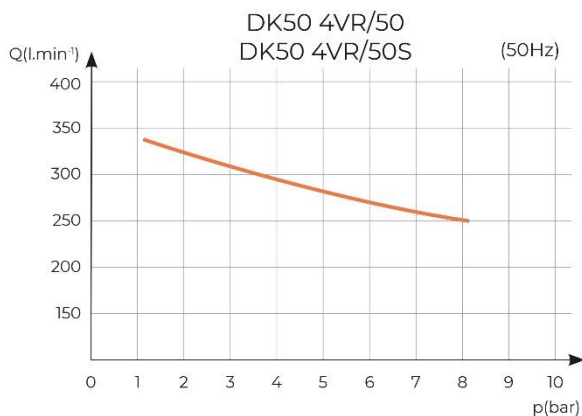
Pracovný tlak 6 – 8 bar		DK50 4VR/50	DK50 4VR/50S	DK50 4VR/50/M	DK50 4VR/50S/M
Menovité napätie Frekvencia ^{a)}	V, Hz	3x400, 50	3x400, 50	3x400, 50	3x400, 50
Výkonnosť pri pretlaku 6 bar (FAD)	l/min	270	270	215	215
Pracovný tlak ^{b)}	bar	6,0 – 8,0	6,0 – 8,0	6,0 – 8,0	6,0 – 8,0
Menovitý prúd	A	4,7	5,1	4,8	5,2
Výkon motora	kW	2,2	2,2	2,2	2,2
Objem vzdušníka	l	50	50	50	50
Kvalita vzduchu – filtrácia	µm	-	-	0,1	0,1
Povolený prevádzkový tlak poistného ventilu	bar	12,0	12,0	12,0	12,0
Hladina hluku pri pretlaku 5 bar (L _{pA})	dB	≤77,0	≤58,0	≤77,0	≤58,0
Režim prevádzky	%	S1-100	S1-100	S1-100	S1-100
Stupeň sušenia - PDP pri 7 bar	°C	-	-	≤ +3	≤ +3
Rozmery (netto) š x h x v	mm	577x587x815	750x778x1015	577x628x815	750x778x1015
Hmotnosť netto ^{c)}	kg	70	128	81	139
Klasifikácia podľa EN 60601-1	Trieda I.				

a) Prevedenie kompresora uviesť pri objednávaní

b) Iný rozsah tlaku konzultovať s dodávateľom

c) Hodnota hmotnosti je informatívny údaj, platí len pre výrobok bez doplnkového vybavenia

Závislosť výkonnosti kompresora od pracovného tlaku



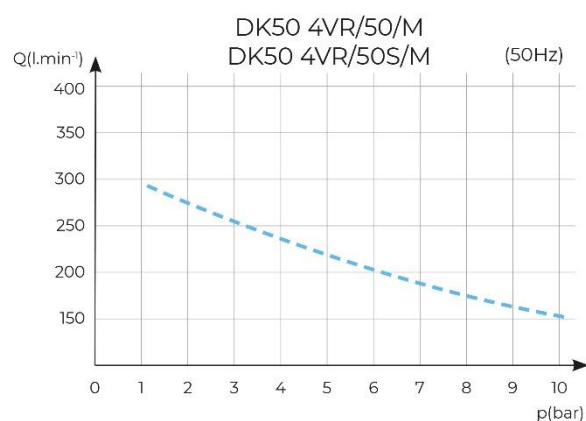
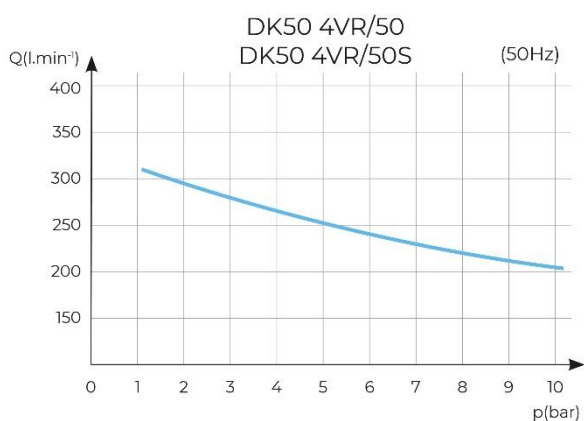
Pracovný tlak 8 – 10 bar		DK50 4VR/50	DK50 4VR/50S	DK50 4VR/50/M	DK50 4VR/50S/M
Menovité napätie Frekvencia ^{a)}	V, Hz	3x400, 50	3x400, 50	3x400, 50	3x400, 50
Výkonnosť pri pretlaku 8 bar (FAD)	l/min	220	220	175	175
Pracovný tlak ^{b)}	bar	8,0 – 10,0	8,0 – 10,0	8,0 – 10,0	8,0 – 10,0
Menovitý prúd	A	4,7	5,1	5,4	5,9
Výkon motora	kW	2,2	2,2	2,2	2,2
Objem vzdušníka	l	50	50	50	50
Kvalita vzduchu – filtrácia	µm	-	-	0,1	0,1
Povolený prevádzkový tlak poistného ventilu	bar	12,0	12,0	12,0	12,0
Hladina hluku pri pretlaku 5 bar (L _{pA})	dB	≤77,0	≤58,0	≤77,0	≤58,0
Režim prevádzky	%	S1-100	S1-100	S1-100	S1-100
Stupeň sušenia - PDP pri 7 bar	°C	-	-	≤ +3	≤ +3
Rozmery (netto) š x h x v	mm	577x587x815	750x778x1015	577x628x815	750x778x1015
Hmotnosť netto ^{c)}	kg	70	128	81	139
Klasifikácia podľa EN 60601-1	Trieda I.				

^{a)} Prevedenie kompresora uviesť pri objednávaní

^{b)} Iný rozsah tlaku konzultovať s dodávateľom

^{c)} Hodnota hmotnosti je informatívny údaj, platí len pre výrobok bez doplnkového vybavenia

Závislosť výkonnosti kompresora od pracovného tlaku



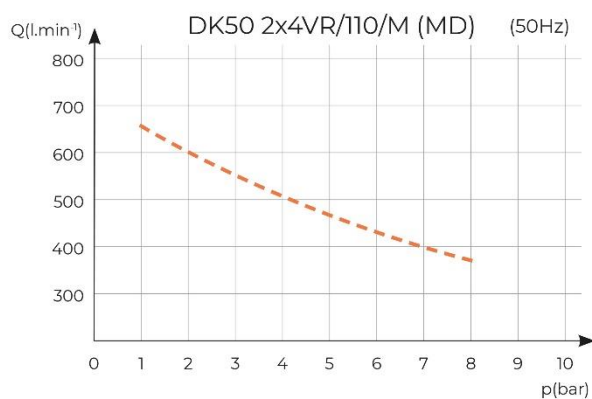
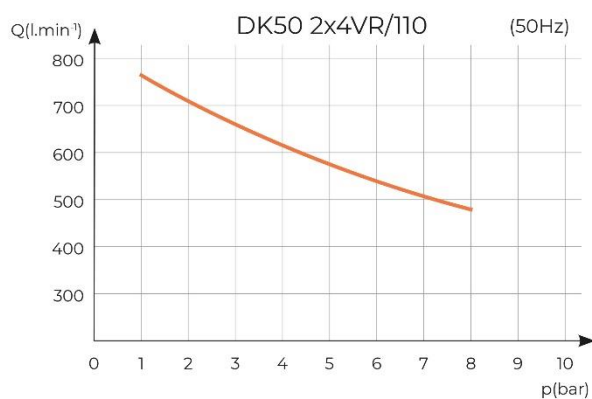
Pracovný tlak 6 – 8 bar		DK50 2x4VR/110	DK50 2x4VR/110S	DK50 2x4VR/110/M	DK50 2x4VR/110S/M
Menovité napätie Frekvencia ^{a)}	V, Hz	3x400, 50	3x400, 50	3x400, 50	3x400, 50
Výkonnosť pri pretlaku 6 bar (FAD)	l/min	540	540	430	430
Pracovný tlak ^{b)}	bar	6,0 – 8,0	6,0 – 8,0	6,0 – 8,0	6,0 – 8,0
Menovitý prúd	A	9,4	10,2	10,1	10,6
Výkon motora	kW	2x2,2	2x2,2	2x2,2	2x2,2
Objem vzdušníka	l	110	110	110	110
Kvalita vzduchu – filtrácia	μm	-	-	0,1	0,1
Povolený prevádzkový tlak poistného ventilu	bar	9,0	9,0	9,0	9,0
Hladina hluku pri pretlaku 5 bar (L _{pA})	dB	≤77,0	≤58,0	≤77,0	≤58,0
Režim prevádzky	%	S1-100	S1-100	S1-100	S1-100
Stupeň sušenia - PDP pri 7 bar	°C	-	-	≤ +3	≤ +3
Rozmery (netto) š x h x v	mm	1085x511x830	1260x834x1046	1085x678x830	1260x834x1046
Hmotnosť netto ^{c)}	kg	136	218	158	240
Klasifikácia podľa EN 60601-1	Trieda I.				

^{a)} Prevedenie kompresora uviesť pri objednávaní

^{b)} Iný rozsah tlaku konzultovať s dodávateľom

^{c)} Hodnota hmotnosti je informatívny údaj, platí len pre výrobok bez doplnkového vybavenia

Závislosť výkonnosti kompresora od pracovného tlaku



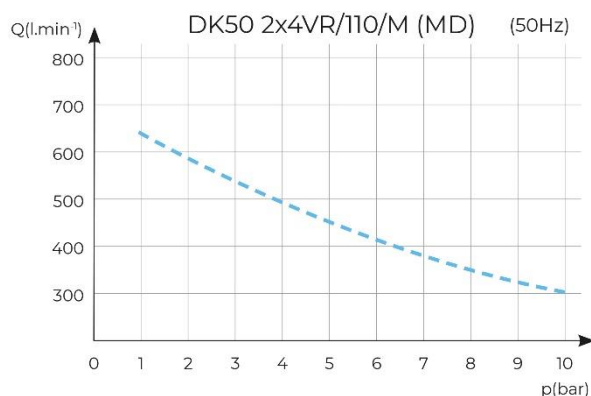
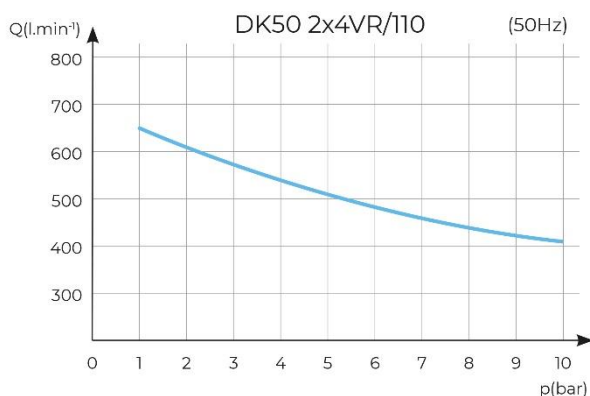
Pracovný tlak 8 – 10 bar		DK50 2x4VR/110	DK50 2x4VR/110S	DK50 2x4VR/110/M	DK50 2x4VR/110S/M
Menovité napätie Frekvencia ^{a)}	V, Hz	3x400, 50	3x400, 50	3x400, 50	3x400, 50
Výkonnosť pri pretlaku 8 bar (FAD)	l/min	440	440	350	350
Pracovný tlak ^{b)}	bar	8,0 – 10,0	8,0 – 10,0	8,0 – 10,0	8,0 – 10,0
Menovitý prúd	A	9,4	10,2	10,1	10,6
Výkon motora	kW	2x2,2	2x2,2	2x2,2	2x2,2
Objem vzdušníka	l	110	110	110	110
Kvalita vzduchu – filtrácia	µm	-	-	0,1	0,1
Povolený prevádzkový tlak poistného ventilu	bar	12,0	12,0	12,0	12,0
Hladina hluku pri pretlaku 5 bar (L _{pA})	dB	≤77,0	≤58,0	≤77,0	≤58,0
Režim prevádzky	%	S1-100	S1-100	S1-100	S1-100
Stupeň sušenia - PDP pri 7 bar	°C	-	-	≤ +3	≤ +3
Rozmery (netto) š x h x v	mm	1085x511x830	1260x834x1046	1085x678x830	1260x834x1046
Hmotnosť netto ^{c)}	kg	136	218	158	240
Klasifikácia podľa EN 60601- 1	Trieda I.				

a) Prevedenie kompresora uviesť pri objednávaní

b) Iný rozsah tlaku konzultovať s dodávateľom

c) Hodnota hmotnosti je informatívny údaj, platí len pre výrobok bez doplnkového vybavenia

Závislosť výkonnosti kompresora od pracovného tlaku



Korekcia FAD výkonnosti podľa nadmorskej výšky

Výkonnosť udávaná vo forme FAD („Free Air Delivery“) sa vzťahuje na podmienky:

Nadmorská výška	0 m.n.m.	Teplota	20°C
Atmosférický tlak	101325 Pa	Relatívna vlhkosť	0%

Pre prepočet FAD výkonnosti kompresora v závislosti od nadmorskej výšky je potrebné aplikovať korekčný faktor podľa nasledujúcej tabuľky:

Nadm. výška [m.n.m.]	0 -1500	1501 - 2500	2501 - 3500	3501 - 4500
Korekčný faktor FAD	1	0,8	0,71	0,60

Vyhlásenie k elektromagnetickej kompatibilite

Prístroj vyžaduje špeciálnu obozretnosť týkajúcu sa elektromagnetickej kompatibility (EMC) a vyžaduje inštaláciu a uvedenie do prevádzky v súlade s EMC informáciami uvedenými nižšie.

Smernice a vyhlásenie výrobcu – elektromagnetické vyžarovanie		
Podľa IEC 60601-1-2:2014 - Zdravotnícke elektrické prístroje. Časť 1-2: Všeobecné požiadavky na základnú bezpečnosť a nevyhnutné prevádzkové vlastnosti. Pridružená norma: Elektromagnetické rušenia		
Prístroj je určený pre použitie v elektromagnetickom prostredí špecifikovanom nižšie. Zákazník alebo užívateľ by mali zaistiť, aby bol prístroj používaný v takom prostredí.		
Test vyžarovania	Zhoda	Elektromagnetické prostredie - návod
RF vyžarovanie CISPR 11	Skupina 1	Prístroj využíva RF energiu len pre svoje vnútorné funkcie. Preto sú RF emisie veľmi nízke a pravdepodobne nespôsobia rušenie okolitých elektronických zariadení.
RF vyžarovanie CISPR 11	Trieda B	Prístroj je vhodný pre použitie vo všetkých zariadeniach vrátane domácich prevádzok a zariadení priamo napojených na verejnú sieť nízkeho napätia, napájajúcu obytné budovy.
Harmonické vyžarovanie IEC 61000-3-2	Trieda A	
Kolísanie napätia / blikanie IEC 61000-3-3	Prístroj pravdepodobne nebude spôsobovať blikanie, pretože prúd po spustení je približne konštantný.	

Smernice a vyhlásenie výrobcu - elektromagnetická odolnosť

Podľa IEC 60601-1-2:2014 - Zdravotnícke elektrické prístroje. Časť 1-2: Všeobecné požiadavky na základnú bezpečnosť a nevyhnutné prevádzkové vlastnosti. Pridružená norma: Elektromagnetické rušenia

Prístroj je určený pre použitie v elektromagnetickom prostredí špecifikovanom nižšie. Zákazník alebo užívateľ by mali zaistiť, aby bol prístroj používaný v takom prostredí.


Test odolnosti	Úroveň testu IEC 60601-1-2	Úroveň zhody	Elektromagnetické prostredie - návod
Elektrostatický výboj (ESD) podľa IEC 61000-4-2	±8 kV kontakt ±15 kV vzduch	±8 kV kontakt ±15 kV vzduch	Podlaha by mala byť drevená, betónová alebo keramická. Ak je podlaha pokrytá syntetickým materiálom, musí byť relatívna vlhkosť vzduchu aspoň 30 %.
Rýchle elektrické prechodné javy / skupiny impulzov IEC 61000-4-4	±2 kV pre elektrické rozvody ±1 kV pre vstupné / výstupné rozvody	±2 kV 100 kHz frekvencia opakovania Pripojené na sieť	Kvalita elektrického napájania by mala byť typická pre komerčné alebo nemocničné prostredie.
Rázový impulz IEC 61000-4-5	±1 kV rozdielový režim ±2 kV spoločný režim	±1 kV L-N ±2 kV L-PE; N-PE Pripojené na sieť	Kvalita elektrického napájania by mala byť typická pre komerčné alebo nemocničné prostredie.
Pokles napätia, krátke prerušenie a zmeny napätia na vstupných elektrických rozvodoch IEC 60601-4-11	$U_T=0\%$, 0,5 cyklu (pri 0, 45, 90, 135, 180, 225, 270 a 315°) $U_T=0\%$, 1 cyklus $U_T=70\%$ 25/30 cyklov (pri 0°) $U_T=0\%$, 250/300 cyklov	$U_T>95\%$, 0,5 cyklu (pri 0, 45, 90, 135, 180, 225, 270 a 315°) $U_T>95\%$, 1 cyklus $U_T=70\%$ (30% pokles U_T), 25(50Hz)/30(60Hz) cyklov (pri 0°) $U_T>95\%$, 250(50Hz)/300(60Hz) cyklov	Kvalita elektrického napájania by mala byť typická pre komerčné alebo nemocničné prostredie. Prístroj sa automaticky zastaví a reštartuje pri každom poklese napätia. V tomto prípade nedochádza k neprijateľnému poklesu tlaku.
Magnetické pole sieťovej frekvencie (50/60 Hz) podľa IEC 61000-4-8	N/A	N/A	Prístroj neobsahuje komponenty citlivé na magnetické pole.

POZNÁMKA: U_T je AC sieťové napájanie pred aplikáciou testovacej úrovne.

Smernice a vyhlásenie výrobcu - elektromagnetická odolnosť

Podľa IEC 60601-1-2:2014 - Zdravotnícke elektrické prístroje. Časť 1-2: Všeobecné požiadavky na základnú bezpečnosť a nevyhnutné prevádzkové vlastnosti. Pridružená norma: Elektromagnetické rušenia

Prístroj je určený pre použitie v elektromagnetickom prostredí špecifikovanom nižšie. Zákazník alebo užívateľ by mali zaistiť, aby bol prístroj používaný v takom prostredí.

Test odolnosti	Úroveň testu IEC 60601-1-2	Úroveň zhody	Elektromagnetické prostredie - návod
Frekvencie šírené vedením IEC 61000-4-6	3 Vrms 150 kHz až 80MHz	3 Vrms	Prenosné a mobilné rádio-frekvenčné komunikačné zariadenia vrátane káblov by sa nemali používať vo vzdialenosti od prístroja menšej, než je odporúčaná vzdialenosť vypočítaná pomocou rovnice pre frekvenciu vysielača. Odporúčané ochranné vzdialenosti $d=1,2\sqrt{P}$ $d=1,2\sqrt{P}$, 80 MHz až 800 MHz $d=2,3\sqrt{P}$, 800 MHz až 2,7 GHz kde P je maximálny menovitý výkon vysielača vo wattoch (W) podľa údajov výrobcu vysielača a d je odporúčaná ochranná vzdialenosť v metroch (m).
Frekvencie šírené vyžarovaním IEC 61000-4-3	3 V/m 80 MHz až 2,7 GHz	3 V/m	Intenzita poľa od pevných rádio-frekvenčných vysielačov, ako bola určená prieskumom polohy lokality ^a , by mala byť nižšia ako úroveň zhody pre každý frekvenčný rozsah ^b . K rušeniu môže prísť v blízkosti zariadení označených nasledujúcim symbolom: 
Blízke polia od RF bezdrôtových komunikačných prístrojov IEC 61000-4-3	9 až 28 V/m 15 určených frekvencií (380 až 5800 MHz)	9 až 28 V/m 15 určených frekvencií (380 až 5800 MHz)	

POZNÁMKA 1 Pri 80 MHz a 800 MHz platí vyšší frekvenčný rozsah.

POZNÁMKA 2 Tieto smernice nemusia platiť za všetkých okolností. Šírenie elektromagnetického vlnenia ovplyvňuje schopnosť absorpcie a odrazivosti budov, objektov a osôb.

^a Intenzitu poľa pevných vysielačov, ako sú napríklad vykryvače mobilných telefónov a pozemné mobilné rádiostanice, amatérske rádiostanice, rozhlasové vysielače v pásmach AM a FM a televízne vysielače, nie je možné presne teoreticky predpovedať. Pre posúdenie elektromagnetického prostredia z hľadiska pevných vysielačov by mal byť zvážený prieskum lokality. Ak nameraná intenzita poľa na mieste, na ktorom je prístroj používaný, prekročí vyššie uvedenú úroveň zhody, je potrebné prístroj pozorovať, aby bolo možné overiť jeho riadne fungovanie. Neobvyklé správanie si môže vyžadovať dodatočné opatrenia, napr. iné nasmerovanie alebo premiestnenie prístroja.

^b Nad frekvenčným rozsahom 150 kHz až 80 MHz by intenzita poľa mala byť nižšia než 3 V/m.

INŠTALÁCIA



Nebezpečenstvo nesprávnej inštalácie.

Kompresor smie inštalovať a po prvýkrát uviesť do prevádzky len kvalifikovaný odborník. Jeho povinnosťou je zaškoliť obsluhujúci personál o používaní a údržbe zariadenia. Inštaláciu a zaškolenie obsluhy potvrdí zápisom v zázname o inštalácii zariadenia (pozri Prílohu).

10. INŠTALAČNÉ PODMIENKY

- Kompresor sa smie inštalovať a prevádzkovať len v suchých, dobre vetraných a bezprašných priestoroch pri podmienkach uvedených v Technických údajoch.



Nebezpečenstvo poškodenia zariadenia.

Zariadenie nesmie byť prevádzkované vo vonkajšom prostredí, ani vo vlhkom alebo mokrom prostredí.



Nebezpečenstvo výbuchu.

Zariadenie je zakázané používať v priestoroch s prítomnosťou výbušných plynov, prachov alebo horľavých kvapalín.



Nebezpečenstvo popálenia alebo požiaru. Pozor horúci povrch.

Pri činnosti kompresora sa časti agregátu zohrejú na vysoké teploty nebezpečné pre dotyk obsluhy alebo materiálu.

- Kompresor sa musí inštalovať tak, aby bol ľahko prístupný pre obsluhu a údržbu a aby bol prístupný výrobný štítok.
- Kompresor musí stáť na rovnom, dostatočne stabilnom podklade (pozor na hmotnosť kompresora, pozri Technické údaje).
- Iné použitie alebo použitie nad tento rámec sa nepovažuje za používanie podľa účelu určenia. Výrobca neručí za škody z toho vyplývajúce. Riziko znáša výlučne prevádzkovateľ / používateľ.



Nebezpečenstvo vysokej teploty.

Je zakázané vytvárať prekážky pre prúdenie vzduchu pred a za chladičom sušiča. Môže dôjsť k nebezpečnému nárastu teploty vnútorných aj vonkajších častí sušiča.



Pri prvom uvedení do prevádzky môžete dočasne (na krátky čas) cítiť charakteristický pach nového výrobku. Tento pach je len krátkodobý a nebráni riadnemu používaniu výrobku. Po inštalácii zabezpečte vetranie miestnosti.

11. ZOSTAVENIE KOMPRESORA

11.1. Manipulácia a odfixovanie

- Vybalíť kompresor z obalu.
- Uložiť kompresor na miesto prevádzky. (Obr. 4).

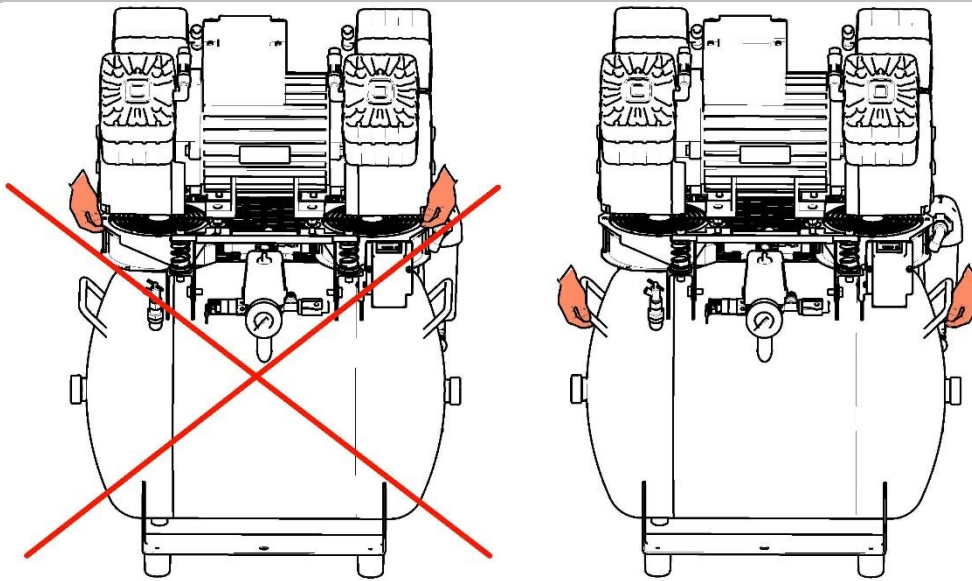


Pri manipulácii s kompresorom používať na uchopenie úchopné madlá kompresora. Na uchopenie nepoužívať iné časti kompresora (agregát a pod.).

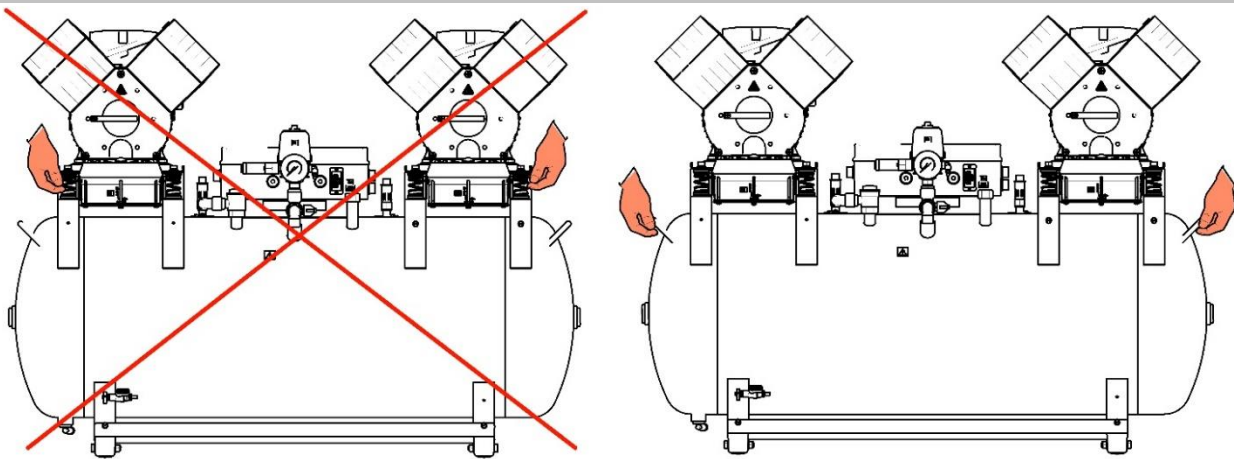


Pri manipulácii so zariadením sú potrebné aspoň dve osoby.

Obr. 4: Manipulácia s kompresorom



DK50 4VR/50



DK50 2x4VR/110

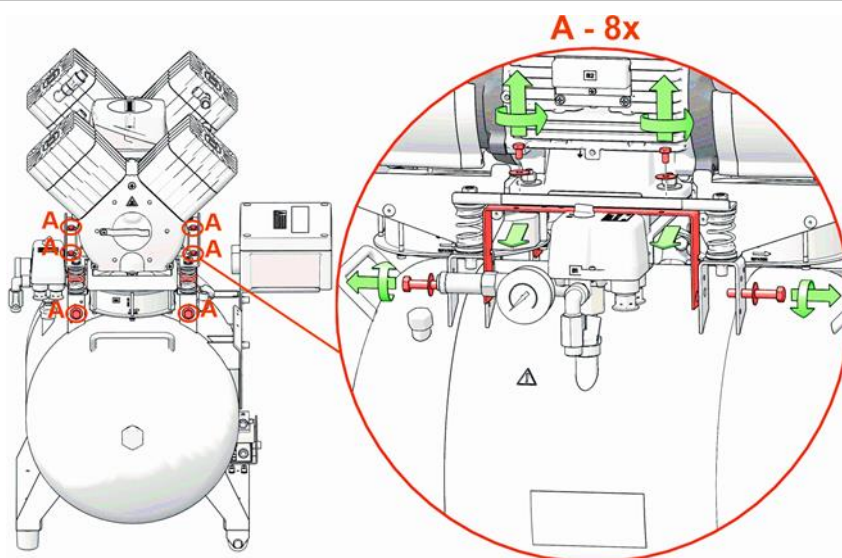
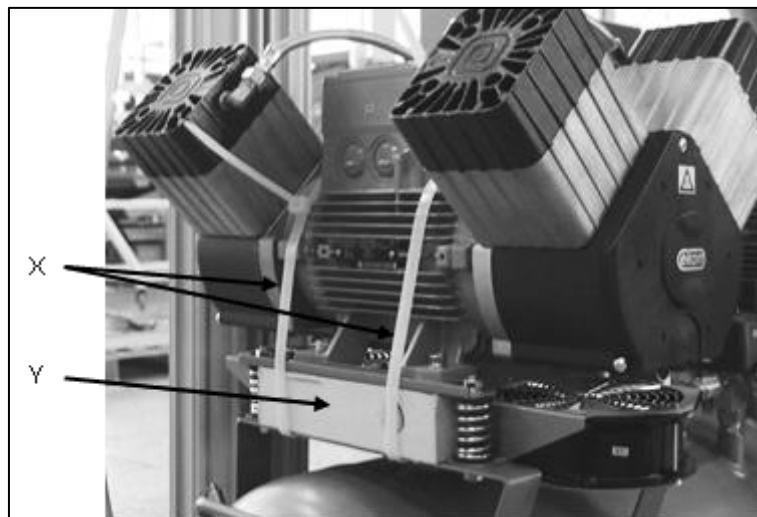
- Odstrániť transportné zaistenie agregátov (Obr. 5).



Pred prvým uvedením do prevádzky sa musia odstrániť všetky istiace prvky slúžiace na fixáciu zariadenia počas dopravy – inak hrozí poškodenie výrobku.

Fixačné prvky agregátov odstrániť až po zostavení a vyvážení kompresora na mieste konečného uloženia.

Obr. 5: Odfixovanie agregátu

**DK50 4VR/50****DK50 2x4VR/110****11.2. Umiestnenie kompresora do skrinky**

DK50 4VR/50S (Obr. 3-A):

Demontáž dverí skrinky

- Odmontovať dvere uchytené 2 ks skrutkami a odpojiť uzemňovací vodič.

Umiestnenie kompresora

- Sňať spojovaciu lištu (30) v prednej spodnej časti skrinky.
- Kompresor zasunúť do skrinky pomocou odťahu (26), spojovaciu lištu položiť pred skrinku a upraviť polohu kompresora tak, aby dva "V" zárezy na spojovacej lište (30), boli pred nohami kompresora. Tým je kompresor správne umiestnený voči skrinke.
- Kompresor so sušičom zasunúť do skrinky tak, aby ventilátor sušiča bol nasunutý do otvoru vetracieho tunela v skrinke. POZOR, kompresor nezasunúť dozadu až na doraz, obmedzí sa prívod chladiaceho vzduchu do chladiča pri sušičovej verzii kompresora a hrozí trvalé

poškodenie sušiča.

- Uložiť spojovaciu lištu (30) na pôvodné miesto v spodnej časti skrinky.

Montáž dverí skrinky

- Priložiť dvere ku skrinke, pripojiť uzemňovací vodič ku dverám a dvere osadiť na skrinku a upevniť 2 ks skrutkami.



Kompresor sa nesmie zasunúť úplne do skrinky, inak hrozí trvalé poškodenie sušiča.

DK50 2x4VR/110S (Obr. 3-B):

Otvorenie horného veka

- Uvoľniť zámok pootočením skrutkovača podľa piktogramu a nadvihnúť pomocou madla.
- Plynové perá udržia veko v otvorenej polohe.



Pri zatváraní veka skrinky treba zvýšiť opatrnosť - riziko privretia prstov rúk.

Po zavretí veka skrinky je vždy potrebné zaistiť rýchlopínacie prvky!

Demontáž predného panelu skrinky

- Odmontovať dvere, uchytené 4 ks skrutkami M5 a odpojiť uzemňovací vodič.

Umiestnenie kompresora

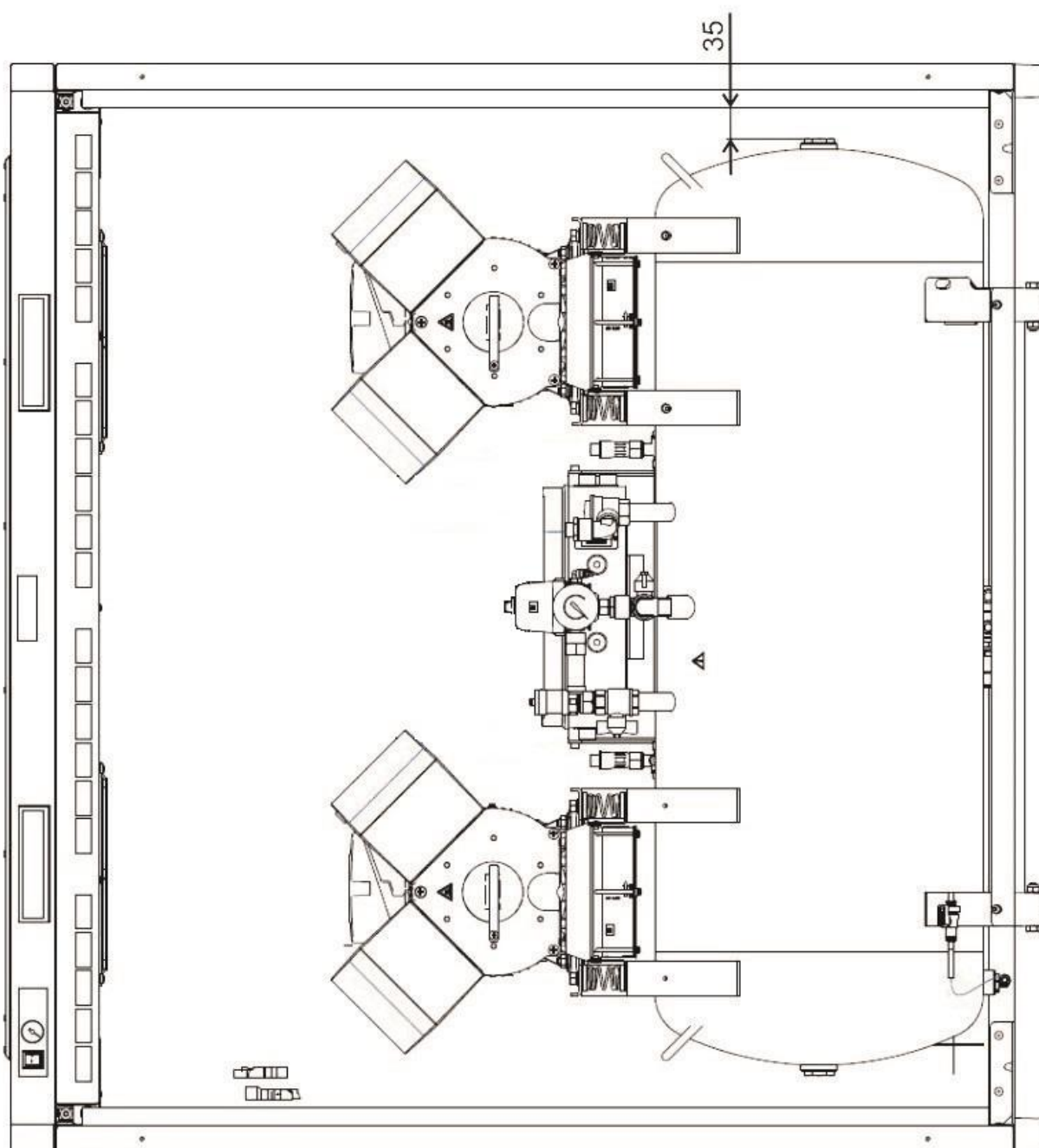
- Kompresor so sušičom zasunúť do skrinky tak, aby ventilátor sušiča bol nasunutý do otvoru vetracieho tunela v skrinke. Polohu kompresora v skrinke skontrolovať podľa Obr. 6.



Kompresor sa nesmie zasunúť úplne do skrinky, inak hrozí trvalé poškodenie sušiča.

Montáž dverí skrinky

- Priložiť dvere ku skrinke, pripojiť uzemňovací vodič ku dverám a dvere osadiť na skrinku a upevniť 4 ks skrutkami.



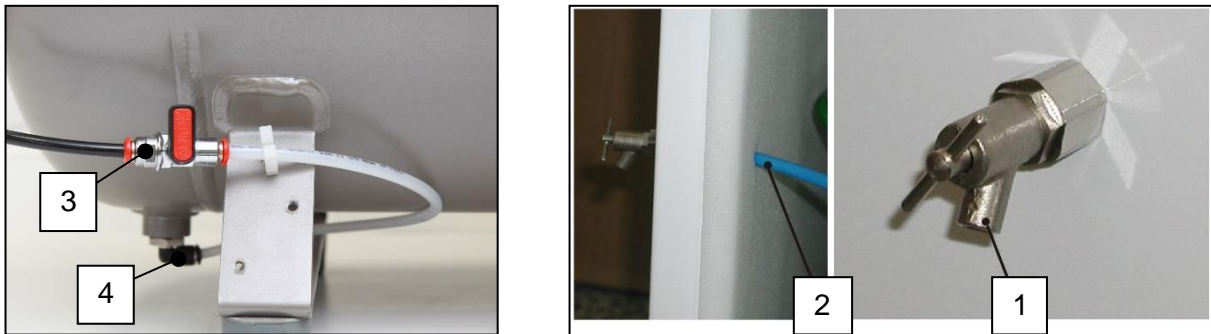
Obr. 6: Umiestnenie kompresora do skrinky

11.3. Osadenie ventilu na odvod kondenzátu na skrinku (DK50 2x4VR/110)

Pri skrinkovom prevedení kompresora osadiť skrutkovanie s kohútom (1) do diery na boku skrinky a osadiť hadičkou PA Ø8 / Ø6 (2). Druhú stranu hadičky zasunúť do armatúry (4) pod vzdušníkom, z ktorej sa demontuje ventil (3) s hadičkou.

Dieru na náprotivnej strane skrinky zaslepiť zátkou Ø16.5.

Skrutkovanie s kohútom je v základnom vybavení skrinky. Ventil na odvod kondenzátu je možné inštalovať na ľubovlnú stranu skrinky kompresora.



Obr. 7: Osadenie ventilu na odvod kondenzátu na skrinku (DK50 2x4VR/110)



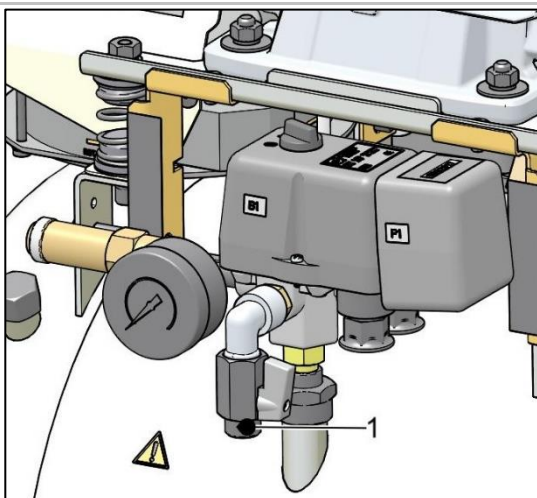
V prípade demontáže kompresora je potrebné odpojiť konektor skrinky pomocou skrutkovača!

12. PNEUMATICKÉ PRIPOJENIE

12.1. Pripojenie k výstupu stlačeného vzduchu

- Na výstup stlačeného vzduchu kompresora (1) viesť tlakovú hadicu k spotrebiču.
- Pri kompresore v skrinke vyviesť tlakovú hadicu cez otvor v zadnej stene skrinky.
- Pripojenie G3/8" (DK50 4VR/50), G1/2" (DK50 2x4VR/110).

DK50 4VR/50



DK50 2x4VR/110



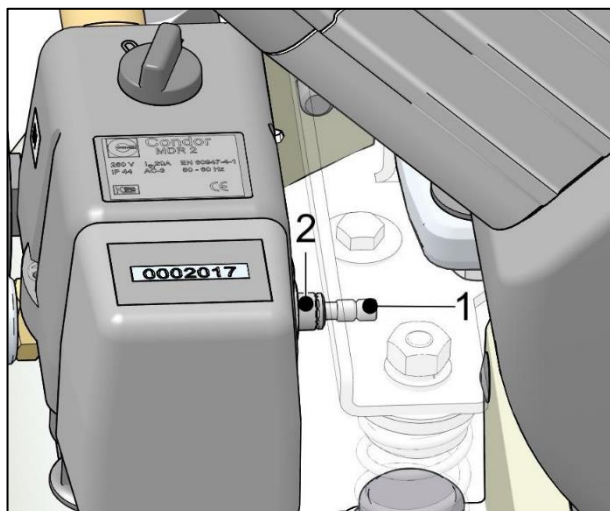
Obr. 8: Pripojenie k výstupu stlačeného vzduchu

12.2. Pripojenie tlakomera skrinky ku kompresoru

- Odstrániť zátku (1) zo skrutkovania (2) na pneumatickom bloku kompresora.
- Hadičku manometra skrinky pripojiť ku skrutkovaniu.

DK50 4VR/50

DK50 2x4VR/110



Obr. 9: Pripojenie tlakomera skrinky ku kompresoru

Výstup kondenzátu

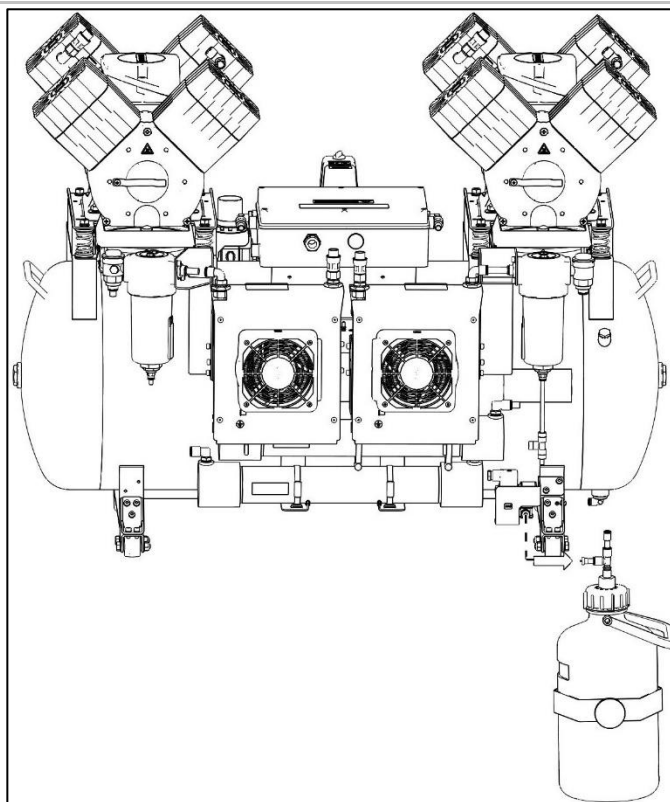
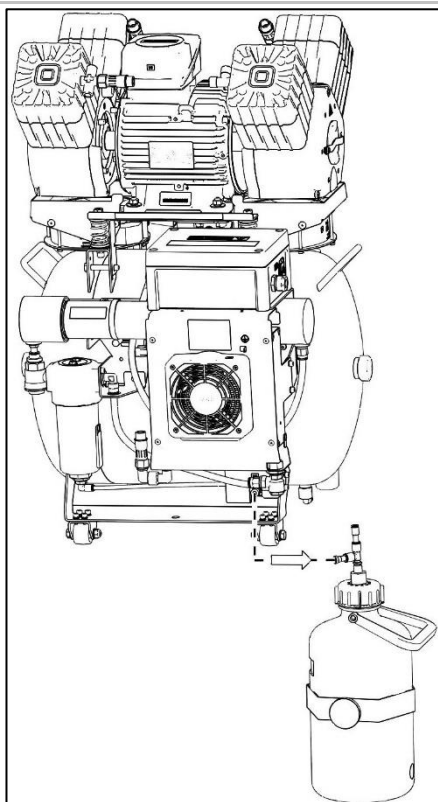


Odvod kondenzátu sa nesmie priamo pripojiť do odpadu! Môže dôjsť k poraneniu okoloidúcej osoby!

- Výstup z automatického odvodu kondenzátu pripojiť hadičkou na odpadové potrubie alebo do priloženej zbernej nádoby.

DK50 4VR/50

DK50 2x4VR/110



Obr. 10: Výstup kondenzátu

12.3. Vedenie hadíc a elektrických káblov pri skrinkovej verzii

- Pri kompresore so sušičom v skrinke vyviesť hadičku a elektrické káble cez otvor v zadnej stene skrinky.



Nebezpečenstvo poškodenia pneumatických častí.

Vzduchové hadice nesmú byť zlomené.

13. ELEKTRICKÉ ZAPOJENIE

- Výrobok sa dodáva so šnúrou zakončenou vidlicou s ochranným kontaktom. Vidlicu sieťovej šnúry zapojiť do sieťovej zásuvky.
- Pri kompresore v skrinke vyviesť šnúru elektrického prívodu cez otvor v zadnej stene skrinky.
- Zásuvka musí byť z bezpečnostných dôvodov dobre prístupná, aby sa výrobok v prípade nebezpečenstva mohol bezpečne odpojiť zo siete.
- Príslušný prúdový okruh musí byť v rozvode elektrickej energie istený maximálne 16 A.



Nebezpečenstvo úrazu elektrickým prúdom.

Je nevyhnutne potrebné rešpektovať miestne elektrotechnické predpisy. Napätie siete a kmitočet musia súhlasiť s údajmi na prístrojovom štítku.



Nebezpečenstvo požiaru a úrazu elektrickým prúdom.

Elektrická šnúra na pripojenie na elektrickú sieť nesmie byť zlomená.



Nebezpečenstvo požiaru a úrazu elektrickým prúdom.

Elektrický kábel sa nesmie dotýkať horúcich častí kompresora.

- Kolík na ekvipotenciálne pospojovanie \varnothing 6 mm (1) prepojiť s rozvodom spôsobom podľa platných elektrotechnických predpisov.
- Zásuvka na ekvipotenciálne pospojovanie (2) je doplnkové príslušenstvo a nenachádza sa v základnom balení.



Obr. 11: Ekvipotenciálne pospojovanie

- Nasunúť konektor uzemňovacieho vodiča na dvere a priskrutkovať na skrinku.

Prívod napájacieho napätia

Napájacie napätie	Typ elektrického vodiča
230V/50 (60) Hz	3Gx1.5x4000
400V/50 (60) Hz	5Gx1.5x4000

13.1. Zapojenie kompresora bez skrinky

- Vidlicu sieťovej šnúry zapojiť do sieťovej zásuvky.
- Kompresor je pripravený k prevádzke.

13.2. Zapojenie kompresora v skrinke

- Pri kompresore v skrinke vyviesť sieťovú šnúru cez otvor zadnej stene skrinky. (Obr. 12)
- Skrinku elektricky pripojiť ku kompresoru pomocou šnúry s konektorom do zásuvky. (Obr. 13)
- Skrinku elektricky odpojiť od kompresora vytiahnutím konektora zo zásuvky pri uvoľnenej západke.



Obr. 12: Otvor v zadnej stene skrinky



Obr. 13: Zapojenie skrinky ku kompresoru

14. PRVÉ UVEDENIE DO PREVÁDZKY

- Skontrolovať, či boli odstránené všetky fixačné prvky použité počas prepravy.
- Skontrolovať správnosť pripojenia hadíc stlačeného vzduchu (pozri kap. 12).
- Skontrolovať správne pripojenie na elektrickú sieť (pozri kap. 13).
- Skontrolovať polohu istiaceho vypínača, musí byť v polohe „I“. V prípade, že sa nachádza v polohe „0“, zapnúť vypínač (2) do polohy „I“ (Obr. 14).
- Pri kompresore v skrinke zapnúť aj vypínač (4) na prednej strane skrinky do polohy „I“, zelená kontrolka signalizuje stav zariadenia v prevádzke (Obr. 14).
- Skontrolovať zapojenie konektora skrinky ku kompresoru (Obr. 13).
- Skontrolovať pripojenie hadičky manometra skrinky k pneumatickému bloku kompresora (Obr. 9).

- Skontrolovať správne pripojenie hadičky z automatického odvodu kondenzátu do zbernej nádoby (Obr. 10).

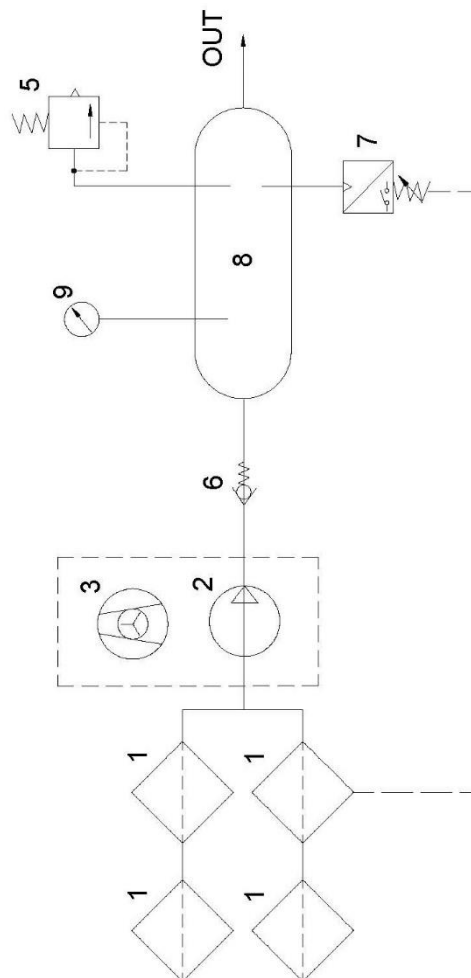


Kompresor neobsahuje záložný zdroj energie.

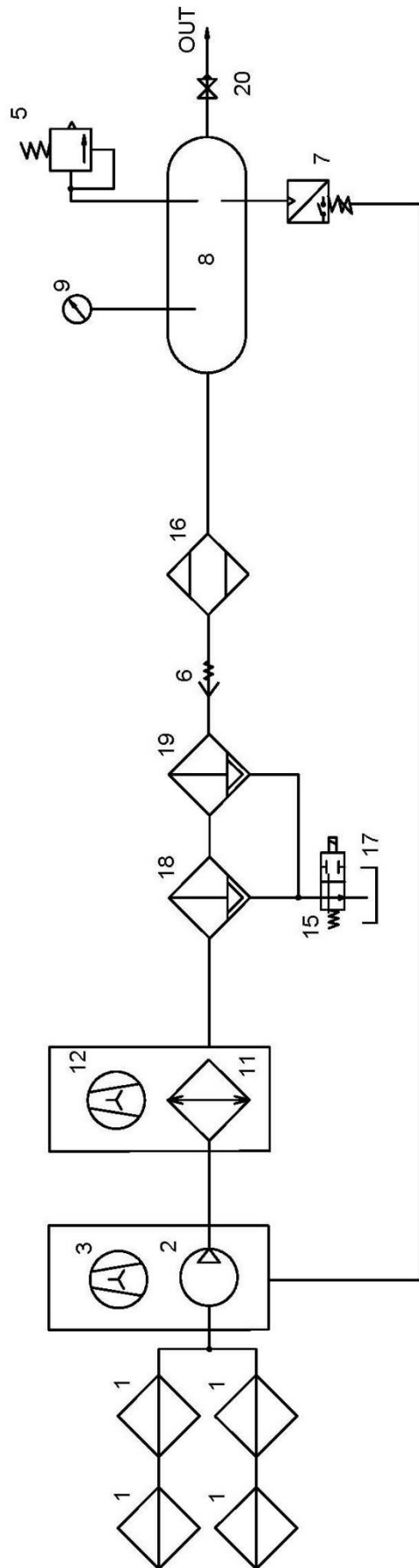
15. PNEUMATICKÉ A ELEKTRICKÉ SCHÉMY

15.1. Pneumatická schéma

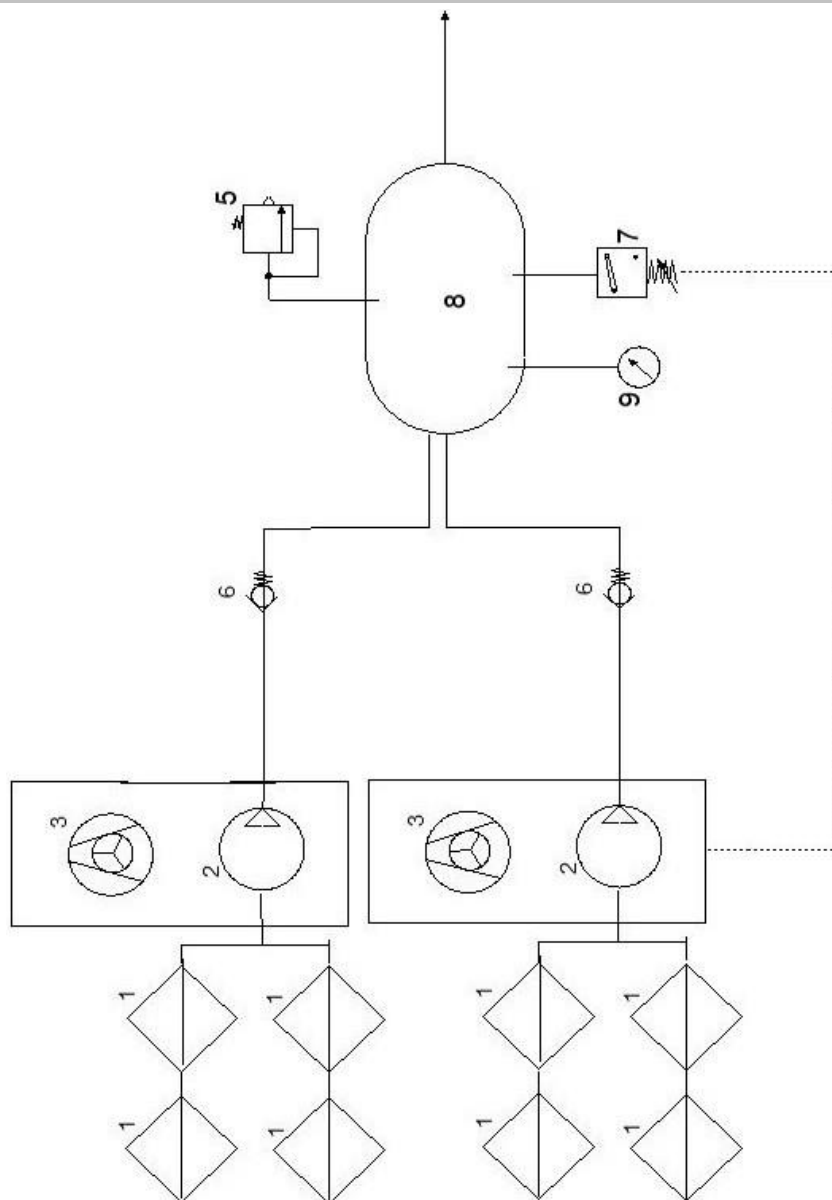
DK50 4VR/50



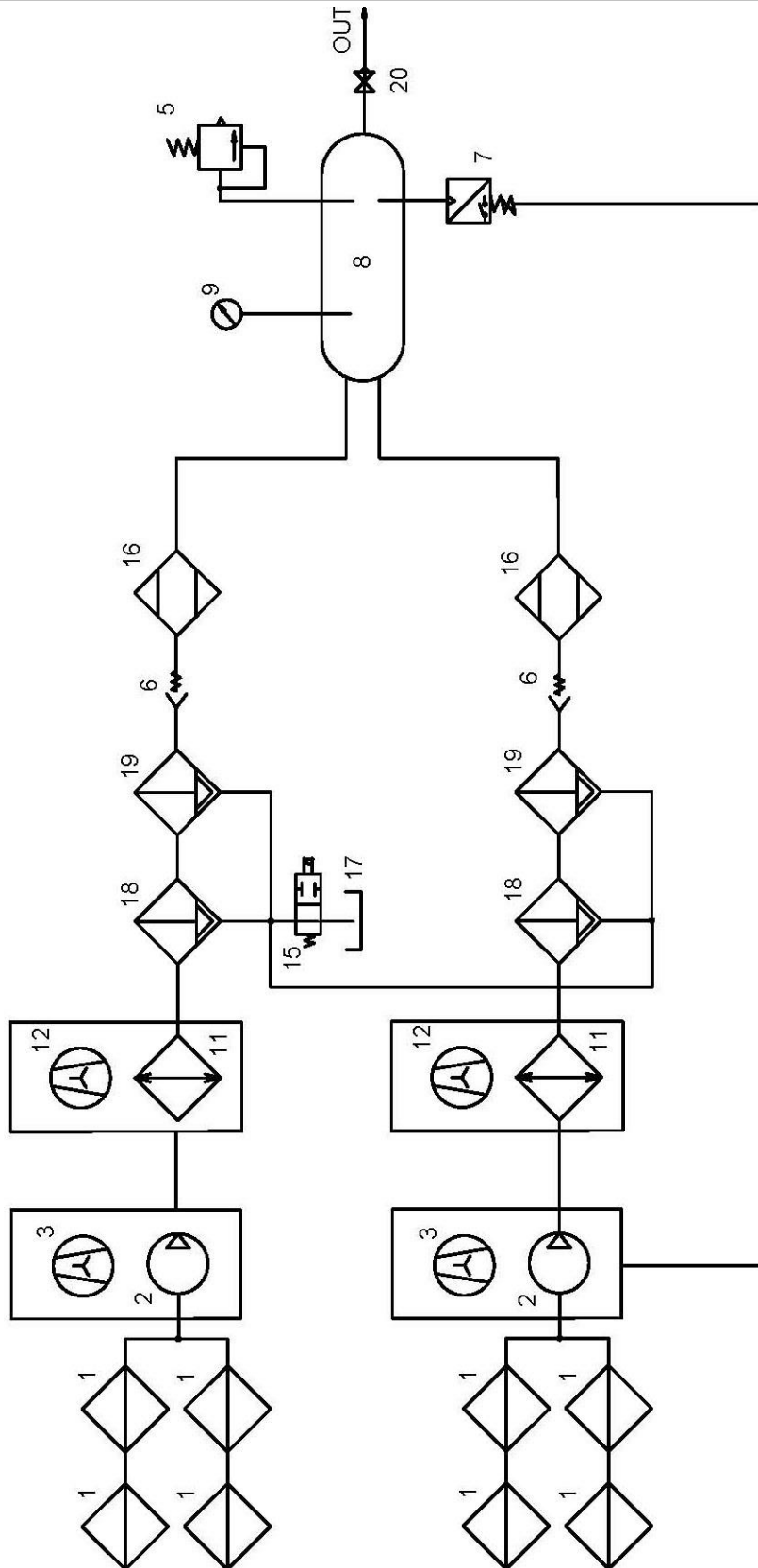
DK50 4VR/50/M



DK50 2x4VR/110



DK50 2x4VR/110/M



Popis k pneumatickej schéme:

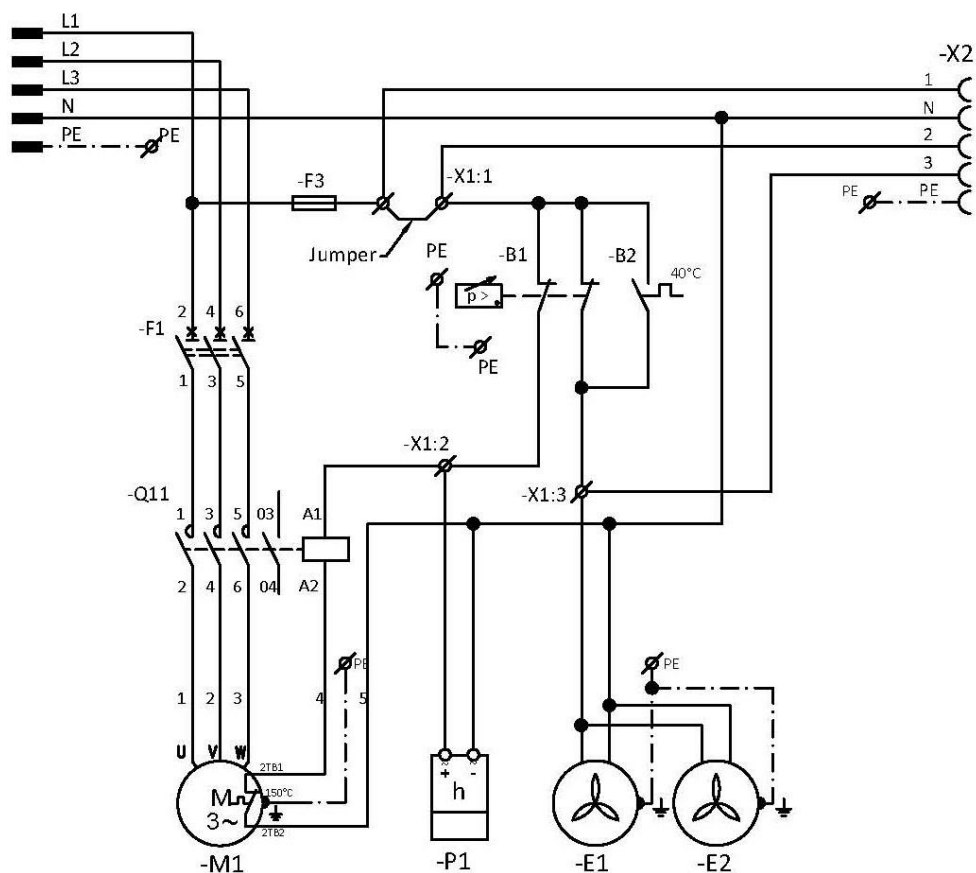
- | | |
|------------------|--------------------------------------|
| 1 Vstupný filter | 11 Chladič |
| 2 Agregát | 12 Ventilátor chladiča |
| 3 Ventilátor | 13 – |
| 4 - | 14 - |
| 5 Poistný ventil | 15 Solenoidný vetil odvodu kodenzátu |
| 6 Spätný ventil | 16 Sušič |
| 7 Tlakový spínač | 17 Nádoaba na zber kondenzátu |
| 8 Vzdušník | 18 Filter |
| 9 Tlakomer | 19 Mikrofilter |
| 10 - | |

15.2. Elektrické schémy
DK50 4VR/50
6 - 8 bar, 8 – 10 bar

3/N/PE-400V, 50Hz

ELEKTRICKÁ SIEŤ TN-S [TN-C-S]

ELEKTRICKÝ PREDMET TR.1



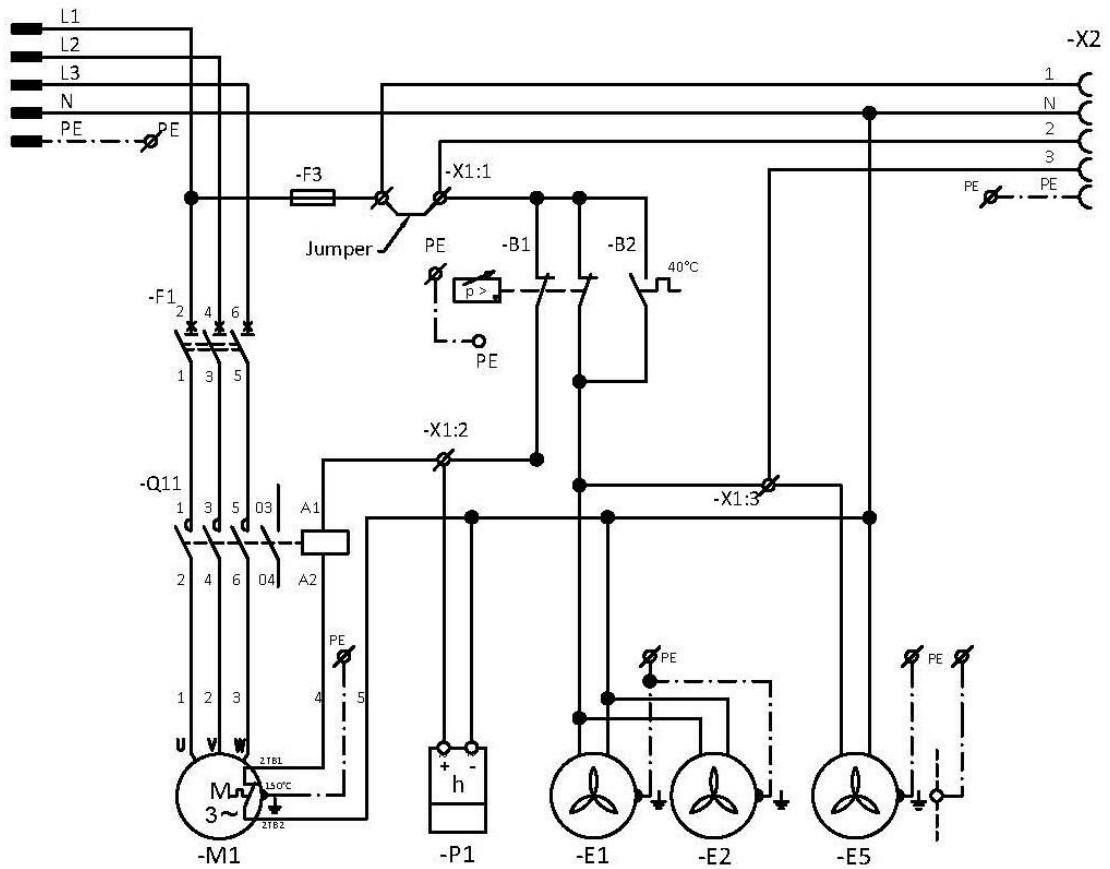
DK50 4VR/50/M

6 - 8 bar, 8 - 10 bar

3/N/PE~400V, 50Hz

ELEKTRICKÁ SIEŤ TN-S [TN-C-S]

ELEKTRICKÝ PREDMET TR.1

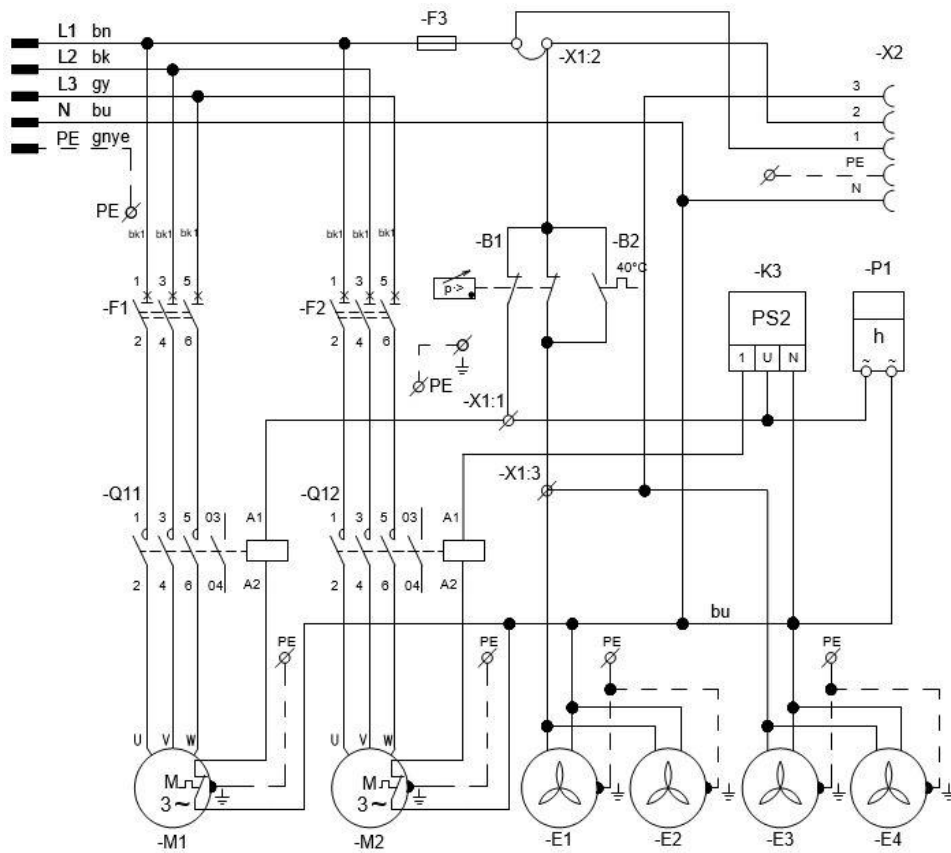


DK50 2x4VR/110
6 - 8 bar, 8 - 10 bar

3/N/PE~400V, 50Hz

ELEKTRICKÁ SIEŤ TN-S [TN-C-S]

ELEKTRICKÝ PREDMET TR.1



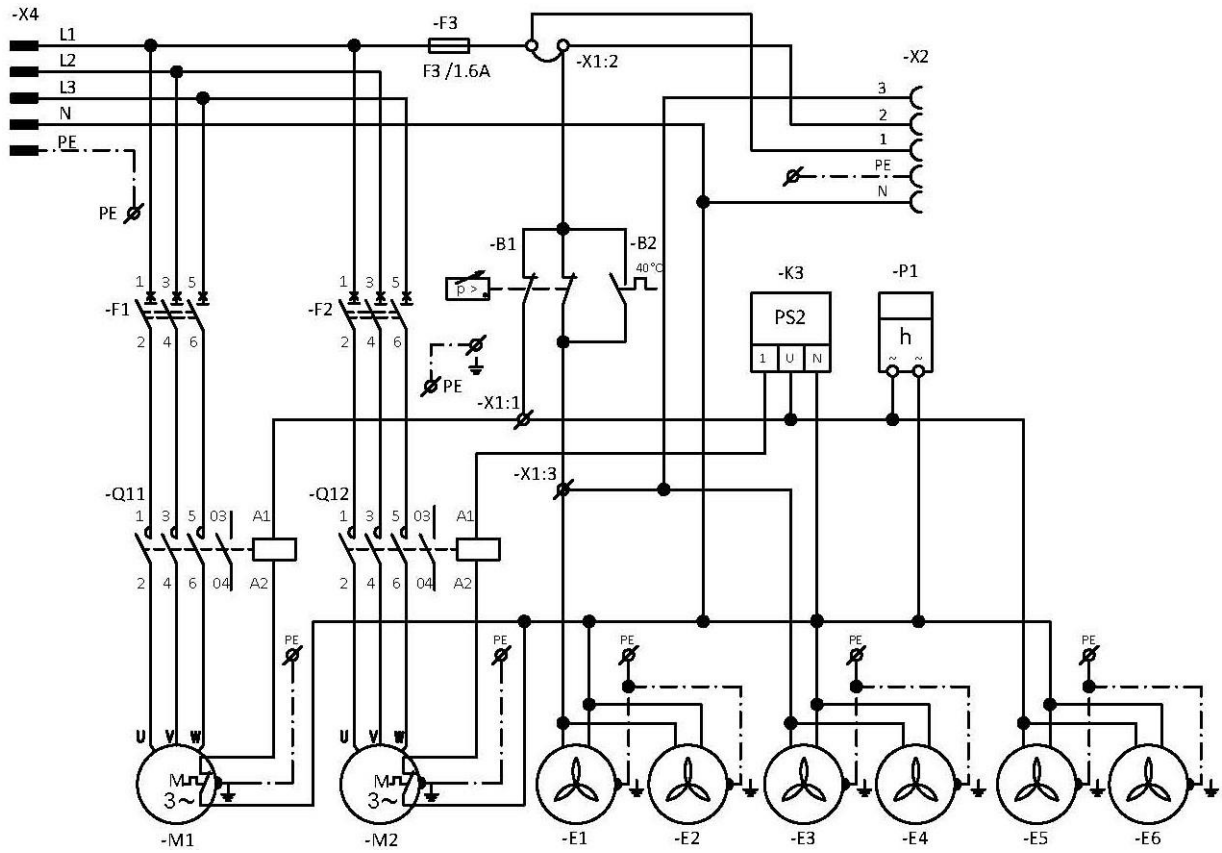
DK50 2x4VR/110/M

6 - 8 bar, 8 - 10 bar

3/N/PE~400V, 50Hz

ELEKTRICKÁ SIŤ TN-S [TN-C-S]

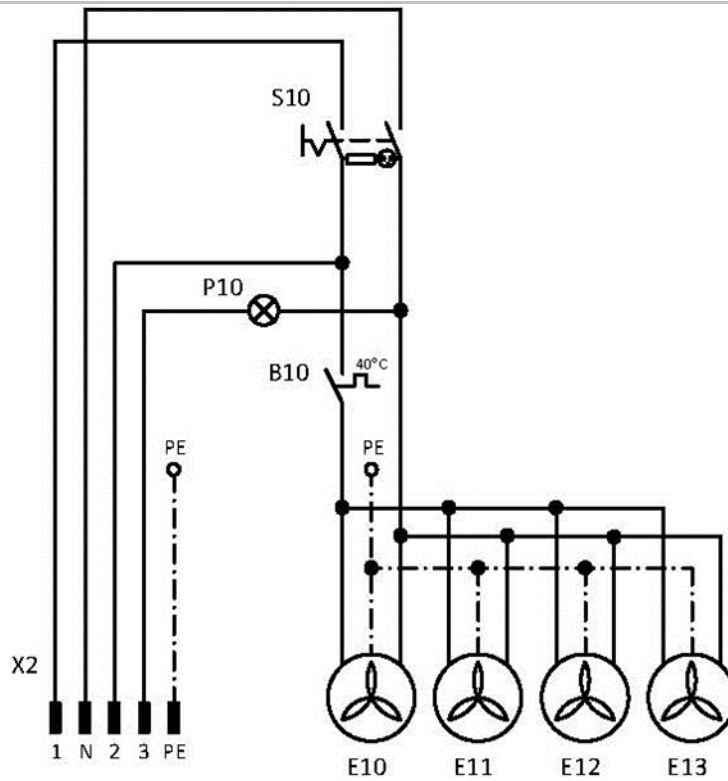
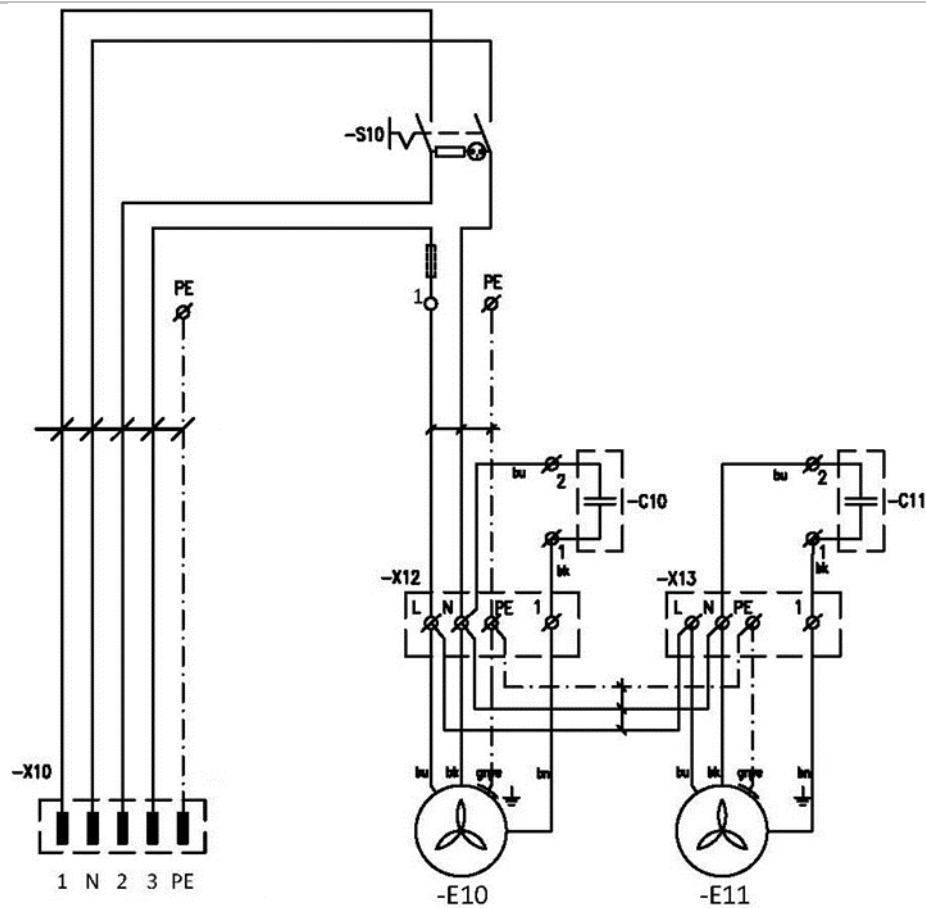
ELEKTRICKÝ PREDMET TR.1



Skrinka kompresora

1/N/PE ~ 230V 50/60Hz

ELEKTRICKÝ PREDMET TR.1


DK50 4VR/50

DK50 2x4VR/110

Popis k elektrickým schémam:

M1, M2	Motor kompresora	X1	Svorkovnica
E1 – E4	Ventilátor kompresora	X2	Konektor
F3	Poistka	M11, M12	Solenoidný ventil sušiča
F1, F2	Istič	E5 – E8	Ventilátor sušiča
K3	Blok oneskorenia motora	S10	Vypínač
B1	Tlakový spínač	E10-13	Ventilátor skrinky
B2	Teplotný spínač	X10, X11	Konektor
Q11,12	Stykač	P10	Tlejivka
P1	Počítadlo hodín	B10	Teplotný spínač skrinky

OBSLUHA

ZARIADENIE SMIE OBSLUHOVAŤ LEN VYŠKOLENÝ PERSONÁL !



Nebezpečenstvo úrazu elektrickým prúdom.

Pri nebezpečenstve odpojiť kompresor od elektrickej siete (vytiahnuť sieťovú zástrčku).



Nebezpečenstvo popálenia alebo požiaru.

Pri činnosti kompresora sa časti agregátu môžu zohriať na teploty nebezpečné pre dotyk osôb alebo materiálu.



Výstraha – kompresor je ovládaný automaticky.

Automatické spustenie. Keď tlak v tlakovej nádrži poklesne na zapínací tlak, kompresor sa automaticky zapne. Kompresor sa automaticky vypne, keď tlak vo vzdušníku dosiahne hodnotu vypínacieho tlaku.



Nebezpečenstvo poškodenia pneumatických častí.

Je zakázané meniť pracovné tlaky tlakového spínača nastaveného u výrobcu. Činnosť kompresora pri nižšom pracovnom tlaku ako je zapínací tlak svedčí o vysokej spotrebe vzduchu (pozri kap. Vyhľadávanie porúch a ich odstránenie).



Požadovaný stupeň sušenia je možné dosiahnuť len pri dodržaní predpísaných prevádzkových podmienok.

Pri prevádzke sušiča pri tlaku nižšom ako je minimálny pracovný tlak sa zníži účinnosť sušenia a zhorší sa dosahovaný rosný bod.



Pri dlhšom chode kompresora sa zvýši teplota v okolí kompresora nad 40 °C a automaticky sa zopne chladiaci ventilátor. Po vychladení priestoru pod približne 32 °C sa ventilátor opäť vypne.

16. ZAPNUTIE KOMPRESORA

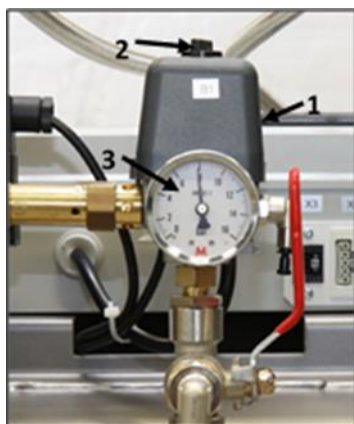
Kompresor (bez skrinky) zapnúť na tlakovom spínači (1) otočením prepínača (2) do polohy „I“. Kompresor začne pracovať, naplní vzdušník na vypínací tlak a tlakový spínač vypne kompresor.

Kompresor v skrinke – po zapnutí na tlakovom spínači, zapnúť vypínačom (4) na prednej strane skrinky, kontrolka sa rozsvieti na zeleno. Kompresor začne pracovať, naplní vzdušník na vypínací tlak a tlakový spínač vypne kompresor.

Ďalej už kompresor pracuje v automatickom režime, podľa spotreby stlačeného vzduchu sa kompresor zapína a vypína.

Hodnoty zapínacieho a vypínacieho tlaku skontrolovať na tlakomeri (3). Hodnoty môžu byť v tolerancii $\pm 10\%$. Tlak vzduchu vo vzdušníku nesmie prekročiť povolený prevádzkový tlak.

Obr. 14: Zapnutie kompresora



Nebezpečenstvo poškodenia pneumatických častí.

Tlakový spínač (1) bol nastavený u výrobcu a ďalšie nastavenie zapínacieho a vypínacieho tlaku môže vykonať iba kvalifikovaný odborník vyškolený výrobcom.

17. VYPNUTIE KOMPRESORA

- Vypnutie kompresora kvôli vykonaniu servisu alebo z iného dôvodu vykonať na tlakovom spínači (1) otočením prepínača (2) do polohy „0“ (Obr. 14) a **vytiahnutím sieťovej vidlice zo zásuvky**. Kompresor je tým odpojený od napájacej siete.
- Otvorením vypúšťacieho ventilu znížiť tlak vo vzdušníku na nulu.

ÚDRŽBA VÝROBKU

18. ÚDRŽBA VÝROBKU



Prevádzkovateľ je povinný zabezpečiť vykonávanie skúšok zariadenia v intervaloch, ktoré určujú príslušné národné právne predpisy. O výsledkoch skúšok musí byť vykonaný záznam.

Zariadenie je navrhnuté a vyrobené tak, aby jeho údržba bola minimálna. Pre riadnu a spoľahlivú činnosť kompresora je však potrebné vykonávať práce podľa nasledujúceho popisu.



Nebezpečenstvo neodborného zásahu.

Opravné práce, ktoré presahujú rámec bežnej údržby (pozri kap. 18.1 Intervaly údržby), smie vykonávať iba kvalifikovaný odborník (organizácia poverená výrobcom) alebo zákaznícky servis výrobcu.

Práce v rámci bežnej údržby (pozri kap. 18.1 Intervaly údržby) smie vykonávať iba zaškolený pracovník obsluhy.

Používať sa smú iba náhradné diely a príslušenstvo predpísané výrobcom.



Nebezpečenstvo úrazu a poškodenia zariadenia.

Pred začatím prác týkajúcich sa údržby kompresora je nutné:

- skontrolovať, či je možné odpojiť kompresor od spotrebiča, aby tým nevzniklo riziko poškodenia zdravia osoby používajúcej daný spotrebič, prípadne iné materiálne škody;
- vypnúť kompresor;
- odpojiť ho z elektrickej siete (vytiahnuť sieťovú zástrčku);
- vypustiť stlačený vzduch zo vzdušníka.



Nebezpečenstvo úrazu pri vypúšťaní stlačeného vzduchu.

Pri vypúšťaní stlačeného vzduchu z pneumatického rozvodu (vzdušníka, komôr sušiča) je potrebné chrániť si zrak – použiť ochranné okuliare.



Nebezpečenstvo popálenia.

Počas činnosti kompresora, alebo krátko po jej ukončení majú časti agregátu vysokú teplotu – nedotýkať sa uvedených častí.



Uzemňovací vodič odpojený počas servisného zásahu je potrebné po ukončení prác opätovne pripojiť na pôvodné miesto.

- Pri servise alebo údržbe je možné vysunúť kompresor zo skrinky jeho vytiahnutím pred skrinku (na kolieskach ako dovoľí dĺžka šnúry medzi kompresorom a skrinkou). (Pozri kap. 18). Po jeho vytiahnutí je možné vykonať potrebnú údržbu alebo servis.
- V prípade odpojenia šnúry medzi kompresorom a skrinkou (vytiahnutím vidlice konektora, kap. 13.2.), kompresor nie je funkčný. Aby kompresor bol funkčný, treba postupovať podľa kap. 13.2 alebo 18.10 alebo 18.11.

18.1. Intervaly údržby

Časový interval	50 Hz	1x za deň	1x za týždeň	1x za rok	1x za 2 roky	2000 hod	4000 hod	6000 hod	8000 hod	10000 hod	12000 hod	20000 hod	Kap. hod	Súprava náhradných dielov	Vykoná
Kontrola činnosti výrobu	x												18.2	-	
Vypustiť kondenzát zo vzdušníka – Pri vysokej RH - Vyliať zachytený kondenzát z nádoby na kondenzát	x												18.5	-	
Vypustiť kondenzát zo vzdušníka - Pri bežnej RH			x										18.5	-	
Kontrola funkcie výrobu			x										9	-	
Kontrola tesnosti spojov a kontrolná prehliadka zariadenia				x									18.3	-	
Kontrola elektrických spojov				x									18.4	-	
Kontrola chladiča a ventilátora				x									18.9	-	
Kontrola poistného ventilu				x									18.6	-	
Výmena vstupného filtra a predfiltra agregátu 4VR ^{a)}					x								18.7	025200139-000 025200150-000	

a) platí údaj v hodinách, ak nie je dostupný, potom platí údaj o rokoch
 b) po poruche sušiča je nutné kontrolovať funkčnosť prepúšťacieho ventilu na sušiči
 c) platí údaj, ktorý nastane skôr: 4 roky / 8000 hod.
 d) platí údaj, ktorý nastane skôr: 8 rokov / 20000 hod

Časový interval	50 Hz	1x za deň	1x za týždeň	1x za rok	1x za 2 roky	2000 hod	4000 hod	6000 hod	8000 hod	10000 hod	12000 hod	16000 hod	20000 hod	24000 hod	Kap. náhradných dielov	Súprava náhradných dielov	Vykoná
Vykonat "Opakovanú skúšku" EN 62353				x											18	-	
Výmena filtračnej vložky filtra sušiča				x											18.8	025200305-000	kvalifikovaný odborník

- a) platí údaj v hodinách, ak nie je dostupný, potom platí údaj o rokoch
 b) po poruche sušiča je nutné kontrolovať funkčnosť prepúšťacieho ventilu na sušiči
 c) platí údaj, ktorý nastane skôr: 4 roky / 8000 hod.
 d) platí údaj, ktorý nastane skôr: 8 rokov / 20000 hod

18.2. Kontrola činnosti

- Kontrolovať stav agregátov – agregáty musia mať rovnomerný chod, bez vibrácií, primeranú hlučnosť. V prípade negatívneho výsledku hľadať príčinu stavu alebo volať servis.
- Kontrolovať činnosti ventilátorov (zrakom) – ventilátory musia byť v činnosti v čase, keď sú v činnosti agregáty. V prípade negatívneho výsledku hľadať príčinu stavu alebo volať servis.
- Kontrolovať neporušenosť prívodného kábla, pneumatických hadíc. Poškodené diely vymeniť alebo volať servis.
- Kontrola teploty okolia – teplota okolia musí byť pod povolenou teplotou (40°C). V prípade vyššej teploty zlepšiť chladenie v miestnosti.
- Pri kompresore so sušičom vzduchu – na nádobe na kondenzát uvoľniť zátku a vyliat kondenzát.
- Skontrolovať prevádzkový stav zariadenia (pozri kap. 18.4).

18.3. Kontrola tesnosti pneumatických spojov a kontrolná prehliadka zariadenia

Kontrola tesnosti

- Kontrolu tesnosti pneumatických rozvodov kompresora vykonať počas činnosti – tlakovania kompresora.
- Analyzátorom netesností alebo mydlovou vodou kontrolovať tesnosť spojov. Ak je indikovaná netesnosť, spoj je potrebné dotiahnuť, prípadne spoj utesniť.

Prehliadka zariadenia

- Skontrolovať stav agregátu kompresora - rovnomernosť chodu, primeraná hlučnosť.
- Kontrola činnosti ventilátorov - ventilátory musia byť v činnosti v predpísaných cykloch činnosti kompresora.
- Kontrola funkcie teplotného spínača (B2) – teplotný spínač zahriať na teplotu vyššiu ako 40°C (napr. teplotnou pištoľou – Pozor, nepôsobiť vysokou teplotou na plastové diely v okolí, môže dôjsť k deformácii plastov). Po dosiahnutí teploty 40 °C sa uvedie do činnosti ventilátor E1, E3 – kompresor musí byť pod napätím.
- Skontrolovať stav filtrov – filtre musia byť bez poškodenia a primerane čisté.
- Skontrolovať stav samotného agregátu, skontrolovať, či nie sú nečistoty v kľukovej skrini, príp. vôľa na kľukovom hriadeľi.
- Skontrolovať funkčnosť automatického odvádzania kondenzátu.
- V prípade zistených nedostatkov chybné súčiastky vymeniť.
- Skontrolovať prevádzkový stav zariadenia (pozri kap. 18.4).

18.4. Kontrola elektrických spojov



Nebezpečenstvo úrazu elektrickým prúdom.

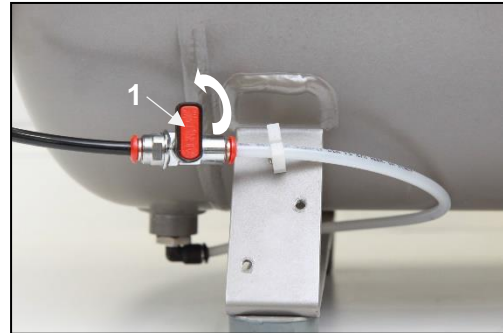
Kontrolu elektrických spojov výrobku vykonávať pri odpojení siet'ovom napätí.

- Skontrolovať mechanickú funkčnosť hlavného vypínača.
- Skontrolovať neporušenosť prívodného kábla, pripojenie vodičov.
- Vizuálne skontrolovať pripojenie káblov na svorkovnicu.
- Skontrolovať všetky skrutkové spoje ochranného zelenožltého vodiča PE.

18.5. Vypustenie kondenzátu

Kompresory

Pri pravidelnej prevádzke sa odporúča vypustiť kondenzát z tlakovej nádoby. Kompresor vypnúť zo siete a tlak vzduchu v zariadení znížiť na tlak max. 1 bar, napríklad odpustením vzduchu cez pripojené zariadenie. Osadiť hadičku zo základného vybavenia do vypúšťacieho ventilu. Pod hadičku podložiť nádobu a otvorením vypúšťacieho ventilu (1) vypustiť kondenzát z nádrže.



Obr. 15: Vypustenie kondenzátu



Vypúšťací ventil otvárať opatrne a postupne. Veľké otvorenie vypúšťacieho ventilu je sprevádzané výrazným akustickým prejavom a nekontrolovaným vystreknutím nahromadeného kondenzátu.



Riziko pošmyknutia na vlhkej podlahe v prípade pretečenia nádoby.

Kompresory bez sušiča je možné vybaviť Automatickým odvodom kondenzátu (AOK), ktorý zabezpečí odvádzanie kondenzátu bez zásahu obsluhy.

Kompresory so sušičom vzduchu

Pri kompresore so sušičom vzduchu sa kondenzát automaticky vylučuje do nádoby na zber kondenzátu.



Obr. 16: Kontrola nádoby na zber kondenzátu



Kontrolovať naplnenie nádoby po značku (podľa objemu 1l /2l nádoby) a vyprázdniť najneskôr raz za deň. V prípade nedodržania intervalu vylievania nádoby môže dôjsť k pretečeniu nádoby.



Pred nasledujúcimi kontrolami je potrebné:

- Pri prevedení kompresora so skrinkou – odomknúť zámky na hornej doske skrinky a nadvihnúť.

18.6. Kontrola poistného ventilu

- Skrutku (2) poistného ventilu (1) otočiť niekoľko otáčok doľava kým vzduch cez poistný ventil nevyfúkne.
- Poistný ventil nechať len krátko voľne vyfúknuť.
- Skrutku (2) otáčať doprava až na doraz, ventil musí byť teraz opäť zatvorený.



Obr. 17: Kontrola poistného ventilu



Nebezpečenstvo nebezpečného nárastu tlaku pri poškodení poistného ventilu.

Poistný ventil sa nesmie používať na odtlakovanie vzdušníka. Môže byť ohrozená funkcia poistného ventilu. U výrobcu je nastavený na povolený maximálny tlak, je preskúšaný a označený.

Poistný ventil sa nesmie prestavovať.



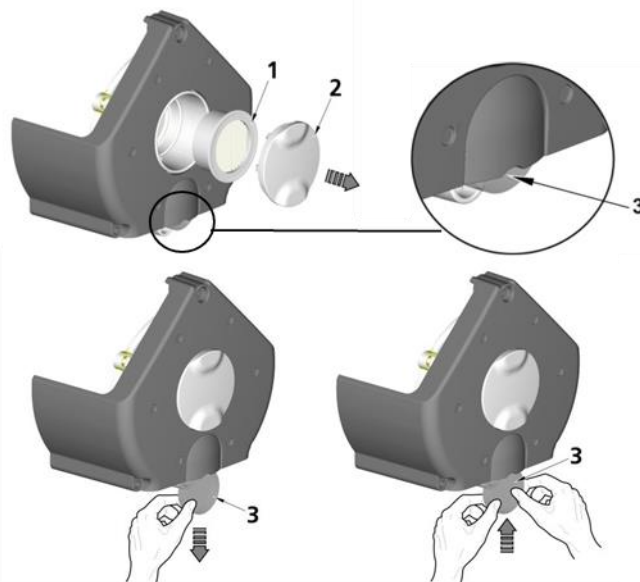
Nebezpečenstvo úrazu pri vypúšťaní stlačeného vzduchu.

Pri kontrole poistného ventilu je potrebné chrániť si zrak – použiť ochranné okuliare.

18.7. Výmena vstupného filtra

Výmena vstupného filtra:

- Rukou vytiahnuť gumenú zátku (2).
- Použitý a znečistený filter (1) vybrať.
- Vložiť nový filter a nasadiť gumenú zátku.



Výmena predfiltra:

- Rukou vytiahnuť predfilter (3).
- Vymeniť za nový a vložiť späť.

Obr. 18: Výmena vstupného filtra

18.8. Výmena filtračnej vložky vo filtri

- Vytiahnuť hadičku (1) z rýchlospojky.
- Kľúčom (2) povoliť nádobku filtra (3) a demontovať.

- Filtračnú vložku (4) demontovať jej vytiahnutím smerom dolu.
- Vložiť novú vložku.
- Nasadiť nádobku filtra.
- Kľúčom jemne dotiahnuť nádobku filtra.
- Osadiť hadičku späť do rýchlospojky.



Obr. 19: Výmena filtračnej vložky vo filtri

18.9. Kontrola chladiča a ventilátora

Aby bolo sušenie účinné, je treba udržiavať celé zariadenie a najmä ventilátor kompresora, ventilátor chladiča a chladič v čistote. Odsať alebo stlačeným vzduchom prefúknuť usadený prach z povrchu chladiacich rebier a ventilátorov.

18.10. Postup pri zapojení kompresora odpojeného od skrinky



Pred každou prácou pri údržbe alebo oprave kompresor nevyhnutne vypnite a odpojte zo siete (vytiahnuť sieťovú zástrčku).

Kompresor (bez skrinky) potrebuje pre správnu činnosť, aby prepojka / mostík (jumper) bola vždy osadená v svorkovnici (Obr. 20 Poz. C,D, Obr. 21 Poz. D). Nahradzuje vtedy zapnutie vypínača umiestneného na skrinke.



Ak vo svorkovnici kompresora (nepripojeného ku skrinke) nie je osadená prepojka / mostík, nebude funkčný kompresor !

V prípade vybratia kompresora zo skrinky a odpojenia šnúry medzi kompresorom a skrinkou (vytiahnutím vidlice konektora), kompresor nie je funkčný. Preto je nutné najskôr vytvoriť prepój na svorkovnici prepójkou / mostíkom (nahradí funkciu vypínača na skrinke) (Obr. 20 Poz. A,B, Obr. 21 Poz. A).

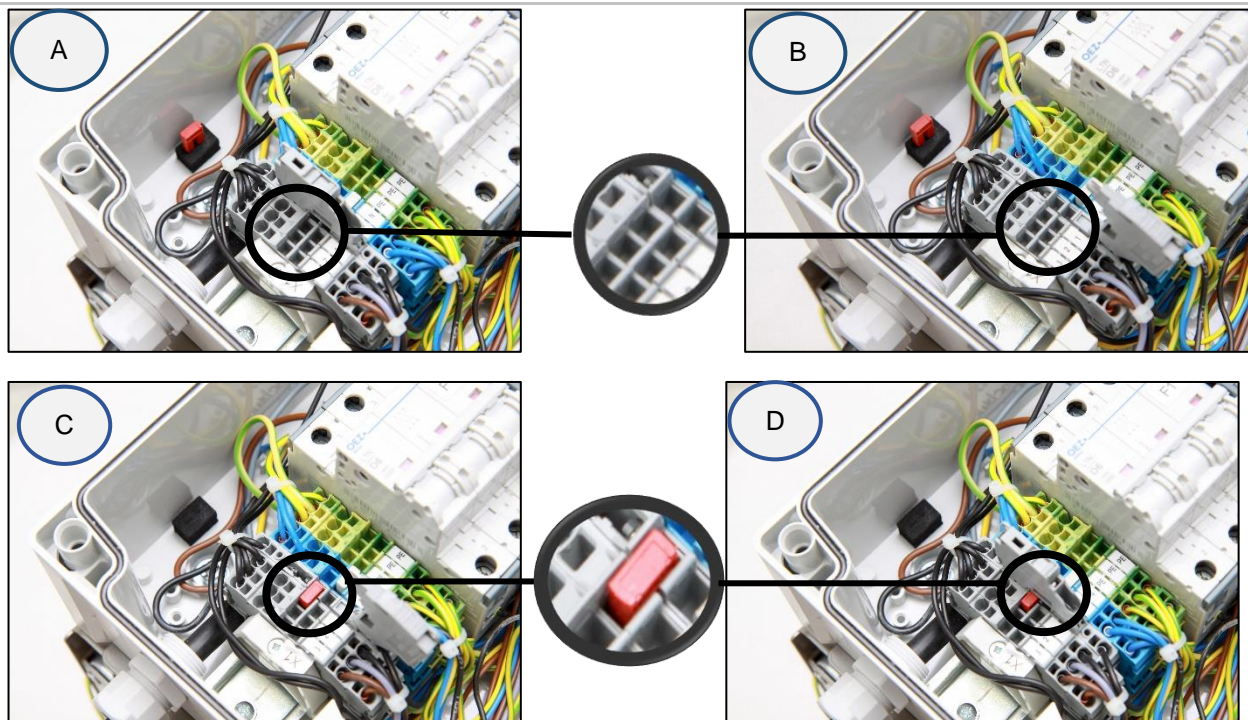
POSTUP:

Montáž prepójky / mostíka (postup A-B-C-D)

- Odpojiť výrobok od elektrickej siete vytiahnutím vidlice zo zásuvky.
- Demontovať kryt elektropanelu (na kompresore).
- Mostík nie je vo svorkovnici - A.
- Odklopiť poistkové púzdro - B.
- Zasuňte mostík do svorkovnice - C.
- Zaklopiť poistkové púzdro - D

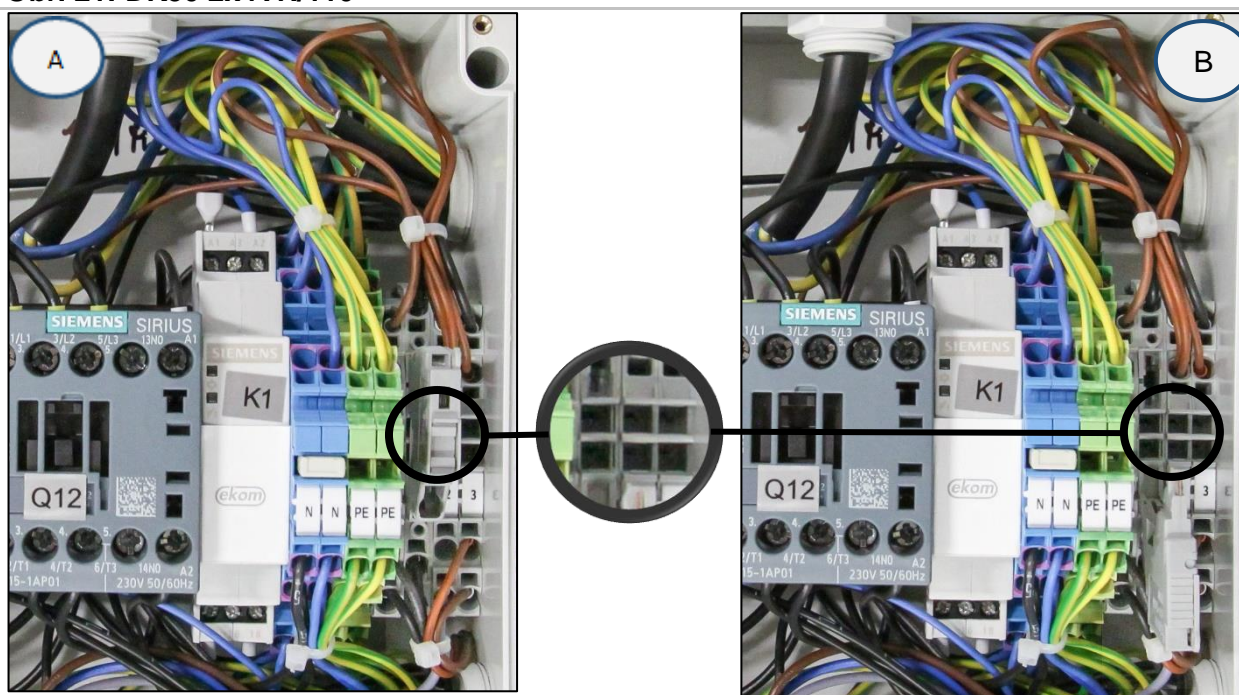
- Namontovať kryt elektropanelu späť.
- Pripojiť výrobok k elektrickej sieti.
- Kompresor uviesť do činnosti zapnutím vypínača na tlakovom spínači.

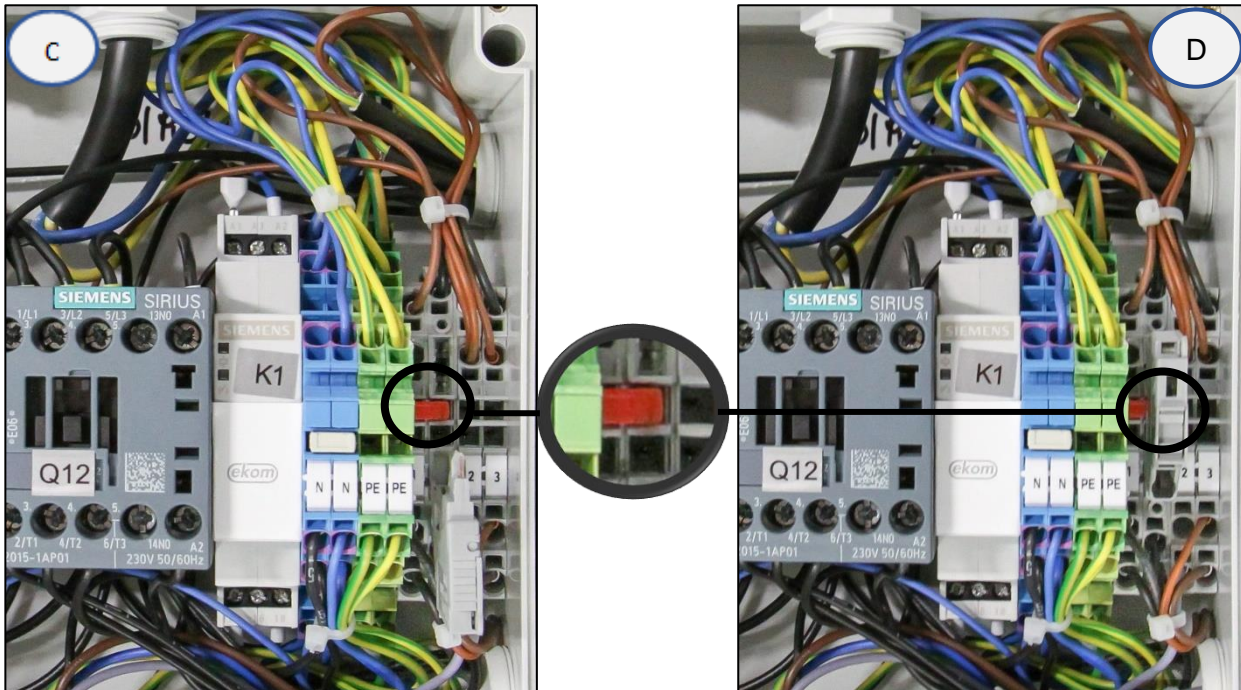
Obr. 20: DK50 4VR/50



400V

Obr. 21: DK50 2x4VR/110





400 V

18.11. Postup pri zapojení kompresora k novej skrinke



Pred každou prácou pri údržbe alebo oprave kompresor nevyhnutne vypnite a odpojte zo siete (vytiahnuť sieťovú zástrčku).

Kompresor v skrinke potrebuje pre správnu činnosť, aby prepojka / mostík (jumper) nebola osadená v svorkovnici (Obr. 20 Poz. A,B, Obr. 21 Poz. A). Vypínač umiestnený na skrinke zapína a vypína celý výrobok vrátane kompresora.



Ak vo svorkovnici kompresora pripojeného ku skrinke e osadená prepojka / mostík, nebude funkčný vypínač na skrinke !

Ak ku kompresoru, ktorý predtým pracoval samostatne (kompresor bez skrinky), chceme pripojiť novú skrinku, potom je nutné zrušiť prepój vo svorkovnici kompresora vykonaním postupu, vid' ďalej. (Obr. 20, Obr. 21). (Pozri tiež kap. 13.1 a 13.2).

POSTUP:

Demontáž prepójky / mostíka (postup D-C-B-A)

- Odpojiť výrobok od elektrickej siete vytiahnutím vidlice zo zásuvky.
- Demontovať kryt elektropanelu (na kompresore).
- Mostík je vo svorkovnici –D
- Odklopiť poistkové púzdro – C
- Vybrať mostík zo svorkovnice – B
- Zaklopiť poistkové púzdro – A
- Namontovať kryt elektropanelu späť.

- Zasunúť kompresor do skrinky.
- Skrinku pripojiť ku kompresoru šnúrou s konektorom do zásuvky. (Obr. 13).
- Pripojiť výrobok k elektrickej sieti.
- Kompresor uviesť do činnosti zapnutím vypínača na tlakovom spínači a vypínača (4) na skrinke (Obr. 14).

Kompresor so skrinkou - pri činnosti v skrinke **nesmie** mať elektrický prepoj. (Obr. 20 Poz. A,B, Obr. 21 Poz. A).

Poznámka : **Mostík, ktorý nie je osadený vo svorkovnici, je potrebné uschovať pre prípad použitia kompresora bez skrinky alebo pre prípad servisného zásahu**, na určené miesto pri elektropaneli.

18.12. Čistenie a dezinfekcia vonkajších plôch výrobku

Na čistenie a dezinfekciu vonkajších plôch výrobku používať neutrálne prostriedky.



Používanie agresívnych čistiacich a dezinfekčných prostriedkov obsahujúcich alkohol a chloridy môže viesť k poškodeniu povrchu a zmeny farby výrobku.

19. Odstavenie

V prípade, že sa kompresor nebude dlhší čas používať, odporúča sa vypustiť kondenzát z tlakovej nádoby a kompresor uviesť do prevádzky asi na 10 minút s otvoreným ventilom na vypúšťanie kondenzátu. Potom kompresor vypnúť vypínačom (2) na tlakovom spínači (1) (Obr. 14), uzatvoriť ventil na vypúšťanie kondenzátu a odpojiť zariadenie od elektrickej siete.

20. Likvidácia prístroja

- Odpojiť zariadenie od elektrickej siete.
- Vypustiť tlak vzduchu v tlakovej nádrži otvorením ventilu na vypúšťanie kondenzátu.
- Zariadenie zlikvidovať podľa miestne platných predpisov.
- Triedenie a likvidáciu odpadu zadať špecializovanej organizácii.
- Časti výrobku po skončení jeho životnosti nemajú negatívny vplyv na životné prostredie.

VYHLÁDÁVANIE PORÚCH A ICH ODSTRÁNENIE**Nebezpečenstvo úrazu elektrickým prúdom.****Pred zásahom do zariadenia je nutné odpojiť ho z elektrickej siete (vytiahnuť sieťovú zástrčku).****Nebezpečenstvo úrazu pri práci s pneumatickými časťami pod tlakom.****Pred zásahom do zariadenia je potrebné znížiť tlak vo vzdušníku a v pneumatickom systéme na nulu.****Činnosti súvisiace s odstraňovaním porúch smie vykonávať len kvalifikovaný odborník servisnej služby.****Nebezpečenstvo nebezpečného nárastu tlaku pri poškodení poistného ventilu.****Poistný ventil sa nesmie prestavovať.**

Porucha	Možná príčina	Spôsob odstránenia
Kompresor sa nerozbieha	Chýba sieťové napätie	Kontrola napätia v zásuvke
		Kontrola poistky - chybnú vymeniť
		Uvoľnená svorka - dotiahnuť
		Kontrola elektrickej šnúry - chybnú vymeniť
	Prerušené vinutie motora, poškodená tepelná ochrana	Motor vymeniť, resp. previnúť
Vypínač skrinky nevypína kompresor	Chybný kondenzátor	Kondenzátor vymeniť
	Zadretý piest alebo iná rotačná časť	Poškodené časti vymeniť
	Nespína tlakový spínač	Skontrolovať funkciu tlakového spínača
Kompresor spína často	V skrinke je umiestnený kompresor, ktorý pracoval samostatne (vo svorkovnici kompresora je mostík)	Odstrániť mostík vo svorkovnici, (pozri kap. 18.11)
	Únik vzduchu z pneumatického rozvodu	Kontrola pneumatického rozvodu – uvoľnený spoj utesniť
Chod kompresora sa predlžuje	Netesnosť spätného ventilu (SV)	SV vyčistiť, vymeniť tesnenia, vymeniť SV
	V tlakovej nádobe je väčšie množstvo skondenzovanej kvapaliny	Vypustiť skondenzovanú kvapalinu
Kompresor je hlučný (klepanie, kovové zvuky)	Únik vzduchu z pneumatického rozvodu	Kontrola pneumatického rozvodu – uvoľnený spoj utesniť
	Opotrebený piestny krúžok	Opotrebený piestny krúžok vymeniť
	Znečistený vstupný filter	Znečistený filter nahradiť novým
	Nesprávna funkcia solenoidného ventilu	Opraviť alebo vymeniť ventil alebo cievku
Kompresor je hlučný (klepanie, kovové zvuky)	Poškodené ložisko piesta, ojnice, ložisko motora	Poškodené ložisko vymeniť
	Uvoľnený (prasknutý) tlmiaci člen	Poškodenú pružinu nahradiť

	(pružina)	
Sušič nesusí (vo vzduchu sa objavuje kondenzát) *	Nefunkčný ventilátor chladiča	Ventilátor vymeniť preveriť prívod elektrickej energie
	Poškodený sušič	Vymeniť sušič
	Znečistený automatický odvod kondenzátu na filtroch	Vyčistiť / vymeniť

)* Po poruche sušiča je nutné dôkladne vyčistiť vnútorný povrch vzdušníka a skondenzovanú kvapalinu dokonale odstrániť.



Na zabezpečenie ochrany pripojeného zariadenia pred poškodením je potrebné skontrolovať vlhkosť vypúšťaného vzduchu zo vzdušníka (pozri kap. Technické údaje).

21. INFORMÁCIE O OPRAVÁRENSKEJ SLUŽBE

Záručné a mimozáručné opravy zabezpečuje výrobca alebo organizácie a opravárenské osoby, o ktorých informuje dodávateľ.

Upozornenie.

Výrobca si vyhradzuje právo vykonať na výrobku zmeny, ktoré však neovplyvnia podstatné vlastnosti prístroja.

OBSAH

DŮLEŽITÉ INFORMACE	329
1. SHODA S POŽADAVKY SMĚRNIC EVROPSKÉ UNIE	329
2. URČENÉ POUŽITÍ	329
3. KONTRAINDIKACE A VEDLEJŠÍ ÚČINKY	329
4. UPOZORNĚNÍ A SYMBOLY	329
5. UPOZORNĚNÍ	330
6. PODMÍNKY SKLADOVÁNÍ A PŘEPRAVY	332
POPIS VÝROBKU.....	333
7. VARIANTY	333
8. DOPLŇKOVÉ VYBAVENÍ	334
9. FUNKCE VÝROBKU	335
TECHNICKÉ ÚDAJE	341
INSTALACE.....	348
10. INSTALAČNÍ PODMÍNKY	348
11. SESTAVENÍ KOMPRESORU.....	348
12. PNEUMATICKÉ PŘIPOJENÍ.....	353
13. ELEKTRICKÉ ZAPOJENÍ.....	355
14. PRVNÍ UVEDENÍ DO PROVOZU.....	356
15. PNEUMATICKÉ A ELEKTRICKÉ SCHÉMA	357
OBSLUHA.....	367
16. ZAPNUTÍ KOMPRESORU	368
17. VYPNUTÍ KOMPRESORU	368
ÚDRŽBA VÝROBKU	369
18. ÚDRŽBA VÝROBKU	369
19. Odstavení	378
20. LIKVIDACE PŘÍSTROJE.....	378
VYHLEDÁVÁNÍ PORUCH A JEJICH ODSTRANĚNÍ	379
21. INFORMACE O OPRAVÁRENSKÉ SLUŽBĚ	380
PŘÍLOHA	381
22. ZÁZNAM O INSTALACI	387

DŮLEŽITÉ INFORMACE**1. SHODA S POŽADAVKY SMĚRNIC EVROPSKÉ UNIE**

Tento výrobek je ve shodě s požadavky Nařízení (EU) o zdravotnických prostředcích (MDR 2017/745) a při dodržení všech bezpečnostních pokynů je pro určené použití bezpečný.

2. URČENÉ POUŽITÍ

Kompresor se používá jako zdroj čistého, bezolejového stlačeného vzduchu pro napájení aktivních zdravotnických prostředků, kde stlačený vzduch vyhovuje svými parametry a vlastnostmi.



Vzduch kompresoru není bez jeho další úpravy vhodný pro připojení k přístrojům pro umělou ventilaci plic.

Jakékoliv použití výrobku nad rámec určeného použití se považuje za nesprávné. Výrobce nemůže nést odpovědnost za jakékoli škody nebo zranění způsobené nesprávným použitím.

3. KONTRAINDIKACE A VEDLEJŠÍ ÚČINKY

Nejsou známy žádné kontraindikace ani vedlejší účinky.

4. UPOZORNĚNÍ A SYMBOLY

V návodu k použití, na obalech a na výrobku se pro zvlášť důležité údaje používají následující názvy a symboly:



Všeobecná výstraha



Výstraha – nebezpečí zasažení elektrickým proudem



Výstraha – kompresor je ovládán automaticky



Výstraha – horký povrch



Všeobecné upozornění



Přečtěte si návod k použití



Dodržujte návod k použití



Označení CE






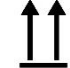





Zdravotnický prostředek



Sériové číslo



Připojení ochranného vodiče

	Svorka pro ekvipotenciální pospojování
	Pojistka
	Manipulační značka na obalu – křehké
	Manipulační značka na obalu – tímto směrem nahoru
	Manipulační značka na obalu – chraňte před deštěm
	Manipulační značka na obalu – teplotní omezení
	Manipulační značka na obalu – omezené stohování
	Značka na obalu – recyklovatelný materiál
	Výrobce

5. UPOZORNĚNÍ

Výrobek je navržen a vyroben tak, aby byl při stanoveném způsobu používání bezpečný pro uživatele i pro jeho okolí. Proto je zapotřebí se řídit následujícími upozorněními.

5.1. Všeobecná upozornění

NÁVOD K POUŽITÍ SI PŘED POUŽITÍM PEČLIVĚ PŘEČTĚTE A USCHOVEJTE PRO BUDOUCÍ POUŽITÍ!

- Tato uživatelská příručka obsahuje pokyny pro správnou montáž, používání a údržbu výrobku. Po pečlivém prostudování této příručky získáte informace potřebné ke správnému používání výrobku v souladu s jeho určeným použitím.
- Ponechejte si originální obal pro případné vrácení výrobku. Náležitou ochranu zařízení při přepravě umožní pouze originální obal. Pokud budete nezbytné výrobek vrátit během záruční doby, pak výrobce nenes odpovědnost za škody způsobené jeho nesprávným zabalením.
- Tato záruka se nevztahuje na škody vyplývající z používání příslušenství jinak než způsobem předepsaným nebo doporučeným výrobcem.
- Výrobce poskytuje záruku na bezpečnost, spolehlivost a funkčnost zařízení, pouze pokud:
 - montáž, nová nastavení, změny, rozšíření a opravy provede výrobce nebo organizace schválená výrobcem,
 - je zařízení používáno v souladu s uživatelskou příručkou.
- Uživatelská příručka odpovídá konfiguraci výrobku a je v souladu s bezpečnostními a technickými normami platnými v době jejího tisku. Výrobce si vyhrazuje veškerá práva na ochranu svých konfigurací, metod a názvů.
- Překlad této příručky byl zajištěn dle nejlepšího svědomí a vědomí. V případě jakýchkoliv nejasností je rozhodující znění slovenské verze.

- Návod k použití je původní, překlad je vyhotoven v souladu s nejlepšími znalostmi.

5.2. Všeobecná bezpečnostní upozornění

Výrobce navrhl a vyrobil výrobek tak, aby bylo při správném používání podle určení minimalizováno jakékoli nebezpečí. Výrobce považuje za svou povinnost uvést následující všeobecná bezpečnostní opatření.

- Při provozu výrobku je nutné respektovat zákony a místní předpisy platné v místě použití. V zájmu bezpečného průběhu práce jsou za dodržování předpisů odpovědní provozovatel a uživatel.
- Bezpečnost obsluhujícího personálu a bezporuchový provoz výrobku jsou zaručeny pouze při používání originálních částí výrobku. Používejte pouze příslušenství a náhradní díly uvedené v technické dokumentaci nebo vysloveně povolené výrobcem.
- Před každým použitím výrobku je nutné, aby se uživatel přesvědčil o řádné funkci a bezpečném stavu výrobku.
- Uživatel musí být obeznámen s obsluhou přístroje.
- Výrobek není určen pro provoz v prostorách, kde hrozí nebezpečí výbuchu.
- Pokud v přímé souvislosti s provozem přístroje dojde k nežádoucí události, uživatel je povinen o této události bezodkladně informovat svého dodavatele.
- V případě závažné nehody způsobené pomůckou by měl uživatel událost nahlásit výrobcí a příslušnému orgánu v členském státě, kde má uživatel bydliště.

5.3. Bezpečnostní upozornění k ochraně před elektrickým proudem

- Zařízení může být připojeno pouze k řádně nainstalované zásuvce s ochranným připojením.
- Před připojením výrobku je třeba zkontrolovat, zda hodnoty síťového napětí a síťového kmitočtu uvedené na výrobku odpovídají hodnotám napájecí sítě.
- Před uvedením výrobku do provozu je třeba zkontrolovat případné poškození připojovaných vzduchových a elektrických rozvodů. Poškozená pneumatická a elektrická vedení je nutné okamžitě vyměnit.
- Při nebezpečných situacích nebo technických poruchách je nutné výrobek ihned odpojit od sítě (vytáhnout síťovou zástrčku).
- Před zahájením jakýchkoli prací souvisejících s opravami a údržbou proveďte následující:
 - vytáhněte síťovou zástrčku ze zásuvky
 - vypusťte tlak z tlakové nádrže a odvzdušněte tlakové potrubí
- Instalaci výrobku smí provádět pouze kvalifikovaný odborník.

6. PODMÍNKY SKLADOVÁNÍ A PŘEPRAVY

Kompresor se od výrobce zasílá v přepravním obalu. Tento obal chrání výrobek před poškozením při přepravě.



Nebezpečí poškození pneumatických částí.

Kompresor se smí přepravovat pouze bez tlaku. Před přepravou je nezbytně nutné vypustit tlak vzduchu z tlakové nádrže a tlakových hadic a vypustit kondenzát ze vzdušníku a odlučovače kondenzátu na sušiči.



Originální obal uschovat pro případné vrácení zařízení. Při přepravě používat podle možnosti vždy originální obal kompresoru pro optimální ochranu výrobku. Jestliže bude nutné výrobek v průběhu záruční doby vrátit, výrobce neručí za škody způsobené nesprávným zabalením výrobku.



Kompresor přepravujte nastojato, vždy zajištěný přepravními fixačními prvky.



Během přepravy a skladování chraňte kompresor před vysokou vlhkostí, nečistotami a extrémními teplotami. Neskladujte v prostorech společně s těkavými chemickými látkami.



Pokud uschování originálního obalu není možné, zlikvidujte ho v souladu se zásadami ochrany životního prostředí. Přepravní karton lze vyhodit se starým papírem.



Zařízení je zakázáno skladovat a přepravovat mimo definované podmínky, viz níže.

6.1. Podmínky okolí

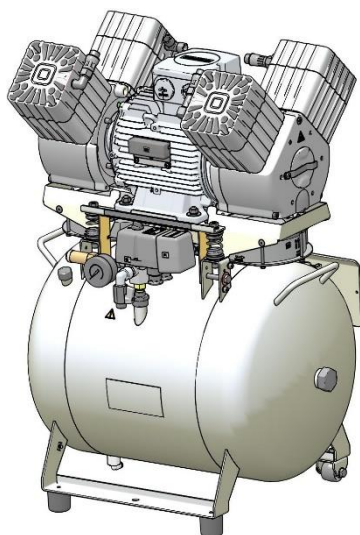
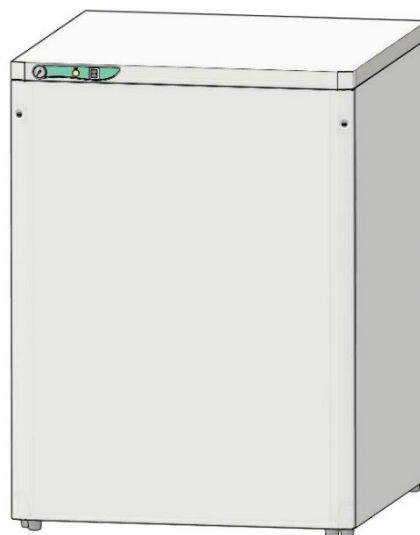
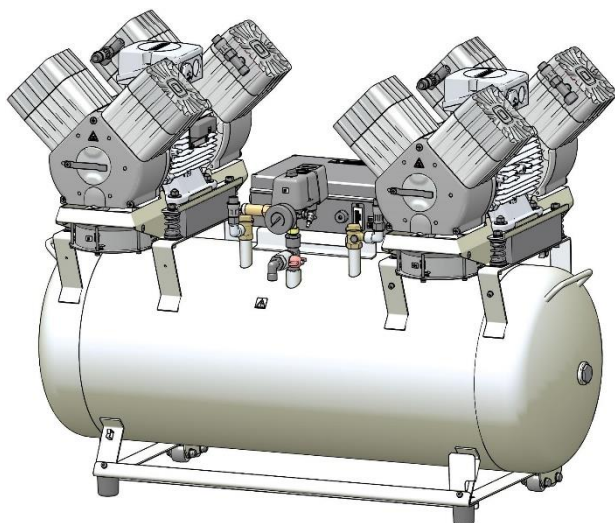
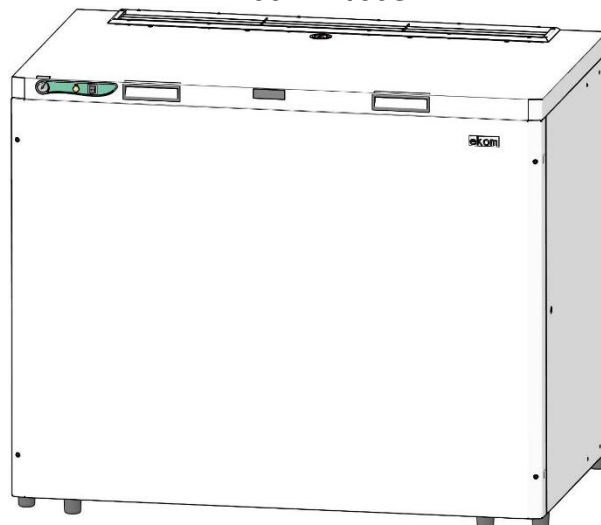
Výrobky je možné skladovat v prostorách a dopravních prostředcích beze stop těkavých chemických látek při následujících klimatických podmínkách:

Teplota	–25 °C až +55 °C, 24 h až +70 °C
Relativní vlhkost	max. 90 % (bez kondenzace)

POPIS VÝROBKU**7. VARIANTY**

Kompresory se vyrábí podle účelu v těchto variantách:

DK50 4VR/50	Kompresor pro umístění v prostorách, kde svou činností neruší okolí
DK50 4VR/50/M	Kompresor s membránovým sušičem vzduchu
DK50 4VR/50S	Kompresor ve skříňce s účinným tlumením hluku
DK50 4VR/50S/M	Kompresor s membránovým sušičem vzduchu ve skříňce
Skříňka S50R	Určena ke snížení hlučnosti kompresoru
DK50 2x4VR/110	Kompresor pro umístění v prostorách, kde svou činností neruší okolí
DK50 2x4VR/110/M	Kompresor s membránovým sušičem vzduchu
DK50 2x4VR/110S	Kompresor ve skříňce s účinným tlumením hluku pro umístění
DK50 2x4VR/110S/M	Kompresor s membránovým sušičem vzduchu ve skříňce
Skříňka S110R	Určena ke snížení hlučnosti kompresoru

**DK50 4VR/50****S50R
DK50 4VR/50S****DK50 2x4VR/110****S110R
DK50 2x4VR/110S**

8. DOPLŇKOVÉ VYBAVENÍ

Doplňkové vybavení není předmětem základní dodávky, je nutno objednat ho zvlášť.

Automatický odvod kondenzátu

Automatický odvod kondenzátu (AOK) zajišťuje automatické vypouštění zkondenzované kapaliny v nastaveném časovém intervalu ze vzdušníku kompresoru. Je vhodné doplnit AOK ke kompresoru bez sušiče.

Typ	Použití	Artiklové číslo
AOK 18	DK50 4VR/50	604014082-000
AOK 19	DK50 2x4VR/110	604014083-000

Sada filtrů výstupního stlačeného vzduchu

Kompresor může být na základě požadavku vybaven sadou filtrů. Filtrační sada může být doplněna o regulátor tlaku vzduchu.



Případný požadavek na jiný stupeň filtrace vzduchu musí být dohodnut předem s dodavatelem a specifikován v objednávce.

Typ	Použití	Stupeň filtrace / μ m/	Artiklové číslo
FS 30F		1	604014119-014
FS 30M	DK50 4VR/50	1+0,1	604014119-015
FS 30S	DK50 4VR/50/M	1+0,01	604014119-017
FS 30A		1+0,01+A**	604014119-018
FS 40F		1	604014119-000
FS 40M	DK50 2x4VR/110	1+0,1	604014119-004
FS 40S	DK50 2x4VR/110/M	1+0,01	604014119-024
FS 40AH		1+AC+HC (0,01)	604014119-005

***) A – submikrofiltr s aktivním uhlím

Sada regulátoru k filtračním sadám

Kompresor může být na základě požadavku vybaven sadou regulátoru tlaku výstupního stlačeného vzduchu. Regulátor vybírejte podle použití k filtrační sadě anebo samostatně. Regulátor zajistí konstantní tlak na výstupu z kompresoru.

Typ	Použití	Artiklové číslo
Regulátor komplet (k filtrační sadě)	DK50 4VR/50	604014130-000
REG12 (samostatný)	DK50 4VR/50/M	447000001-088
Regulátor komplet	DK50 2x4VR/110	604014125-000
REG15	DK50 2x4VR/110/M	447000001-115

Držáky k filtračním sadám



Ke každé sadě je nutné doobjednat vhodný držák.

Typ	Použití	Artiklové číslo
Držák na kompresor	DK50 4VR/50 DK50 4VR/50/M	603014177-000
Držák na kompresor	DK50 2x4VR/110	604014131-000
Držák na stěnu	DK50 2x4VR/110/M	603014120-000

Zásuvka pro ekvipotenciální pospojování

Zásuvka umožňuje ochranné pospojování.

Typ	Použití	Název	Artiklové číslo
POAG-KBT6-EC	DK50 4VR/50 DK50 4VR/50/M	Zásuvka	033400075-000
FLEXI-S/POAG-HK6	DK50 2x4VR/110 DK50 2x4VR/110/M	Vodič (1 m)	034110083-000

9. FUNKCE VÝROBKU

9.1. Kompresor

Agregát kompresoru (1) nasává atmosférický vzduch přes vstupní filtr (8) a stlačuje ho přes zpětný ventil (3) do vzdušníku (2) a spotřebič odebírá stlačený vzduch ze vzdušníku. Pokud tlak ve vzdušníku klesne na zapínací tlak, tlakový spínač (4) zapne kompresor a kompresor stlačí vzduch do vzdušníku až po vypínací tlak, kdy se kompresor vypne. Po vypnutí kompresorového agregátu se odvzdušní tlaková hadice přes odlehčovací solenoidový ventil (13). Pojistný ventil (5) zamezuje překročení tlaku ve vzdušníku nad maximální povolenou hodnotu. Vypouštěcím ventilem (7) se vypouští kondenzát ze vzdušníku. Stlačený a čistý vzduch beze stop oleje je ve vzdušníku připraven pro další použití.

Ze vzdušníku je zapotřebí v předepsaných intervalech vypouštět zkondenzovanou kapalinu (viz kap. 18.1).

9.2. Kompresor s membránovým sušičem

Agregát kompresoru (1) nasává atmosférický vzduch přes vstupní filtr (8) a stlačený ho dodává chladičem (10) přes filtr (18), zpětní ventil (3) do sušiče (9) a vysušený a čistý do vzdušníku (2). Část vzduchu odchází mimo sušič spolu se zachycenou vlhkostí, což se projeví jako jemné proudění vzduchu kolem tělesa sušiče (9). Kondenzát z filtru se automaticky v intervalech vypouští do láhve pomocí solenoidového ventilu pro odvod kondenzátu (17). Sušič zajistí kontinuální sušení stlačeného vzduchu. Vypouštěcím ventilem (7) se vypouští kondenzát ze vzdušníku v případě kontroly sušení. Stlačený, suchý a čistý vzduch beze stop oleje je ve vzdušníku připraven pro další použití.

Pro optimální provoz membránového sušiče je sušič spojen se vzdušníkem přímo bez zpětného ventilu. Jelikož membránový sušič obsahuje vlákna se selektivní membránou, dochází přes ně k malému úniku vzduchu (přibližně 0,5 bar / 30 min)

Proto postupný pomalý pokles tlaku je přítomen i ve stavu bez odběru vzduchu z kompresoru (ze vzdušníku) a nepředstavuje poruchu.

Tlakovou nádobu není zapotřebí odkalovat.

9.3. Skříňka kompresoru

Skříňka zajišťuje kompaktní zakrytí kompresoru, čímž účinně tlumí hluk a zároveň zajišťuje dostatečnou výměnu chladicího vzduchu. Ventilátor pod agregátem kompresoru (11) a ventilátory skříňky (21) zajišťuje chlazení kompresoru. V provozu je současně s motorem kompresoru anebo po zapnutí teplotního spínače při teplotě větší než 40 °C. Po ochlazení prostoru skříňky na méně než 32 °C se ventilátory automaticky vypnou.



Nebezpečí přehřátí kompresoru.

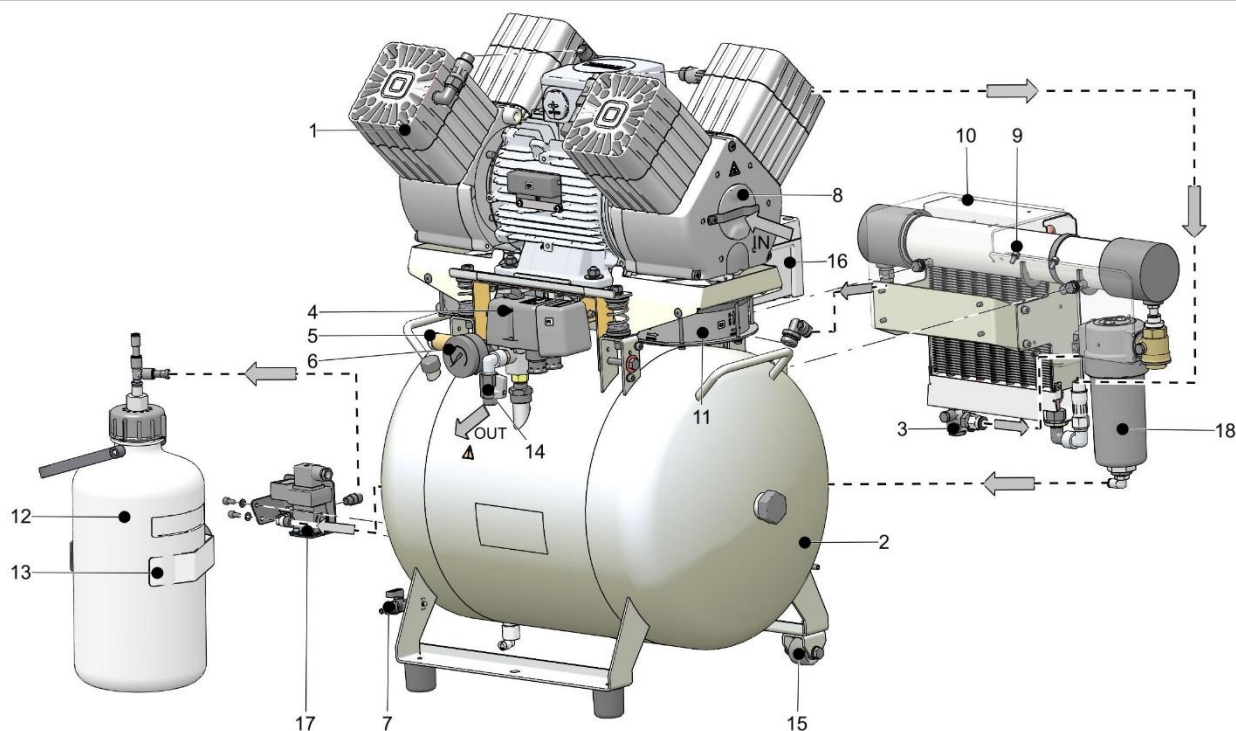
Je zakázáno vytvářet překážky na vstupu chladicího vzduchu do skříňky (po obvodu spodní části skříňky) a na výstupu teplého vzduchu v horní zadní části skříňky.

V případě umístění kompresoru na měkkou podlahu, například na koberec, je nutné vytvořit mezeru mezi základnou a podlahou nebo skříňkou a podlahou, například podložením patek tvrdými podložkami z důvodu zajištění dostatečného chlazení kompresoru.

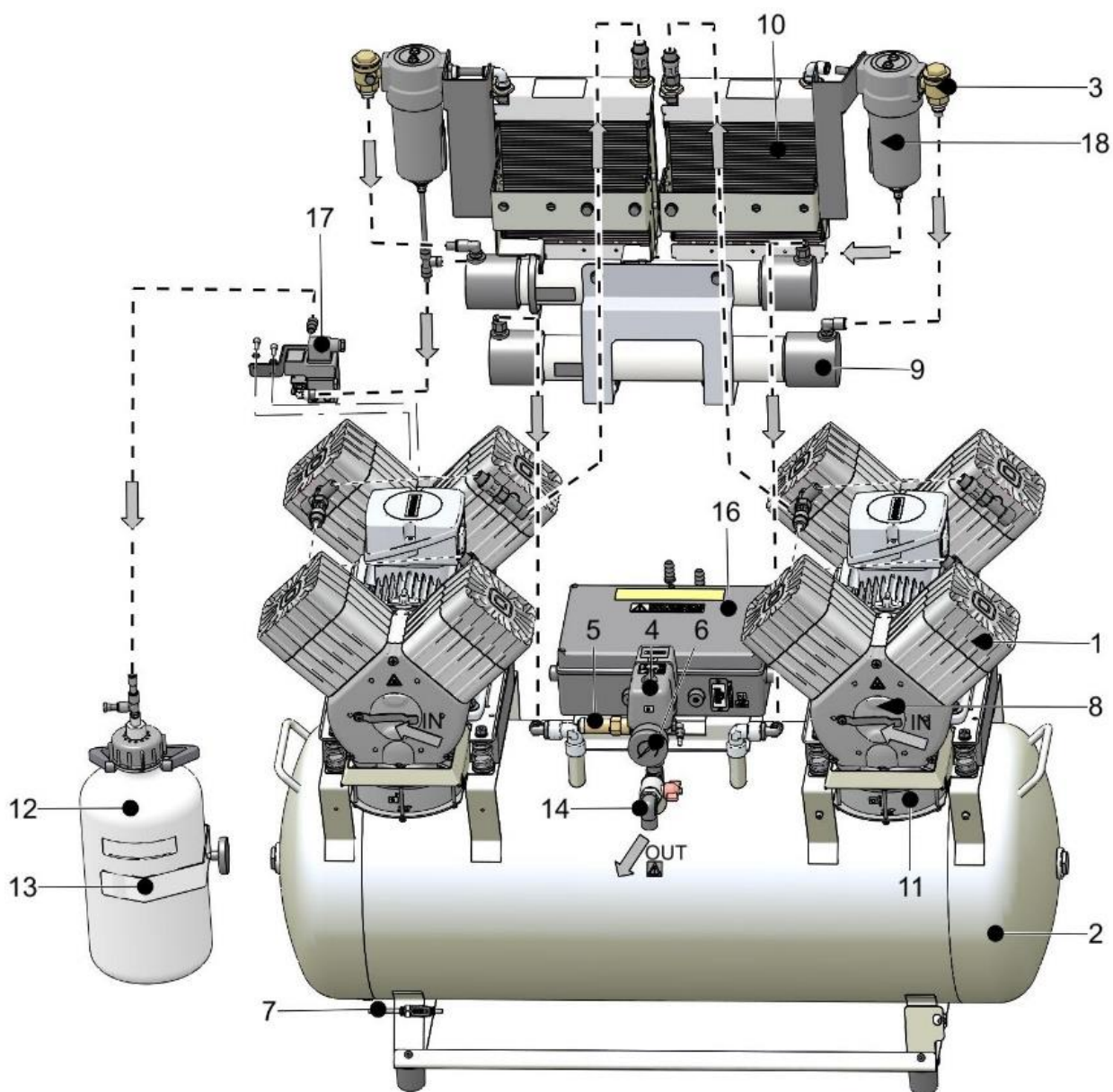
Popis k obrázkům 1 - 3

- | | |
|------------------------------|--|
| 1 Agregát kompresoru | 16 Rozvodná krabice |
| 2 Vzdušník | 17 Elektromagnetický ventil pro odvod kondenzátu |
| 3 Zpětný ventil | 18 Filtr |
| 4 Tlakový spínač | 21 Tlakoměr skříňky |
| 5 Pojistný ventil | 22 Vypínač |
| 6 Tlakoměr | 23 Konektor skříňky |
| 7 Vypouštěcí ventil | 24 Hadička manometru |
| 8 Vstupní filtr | 25 Odtah |
| 9 Sušič | 26 Doraz na stěnu |
| 10 Chladič sušiče | 27 Kabel elektrického napájení |
| 11 Ventilátor kompresoru | 28 Plynové pružiny skříňky |
| 12 Nádoba na sběr kondenzátu | 29 Spojovací výztuha |
| 13 Magnetický držák | 30 Signálka pro servis |
| 14 Výstup vzduchu | |
| 15 Kolečko kompresoru | |

Obr. 1: Kompresor se sušičem MD

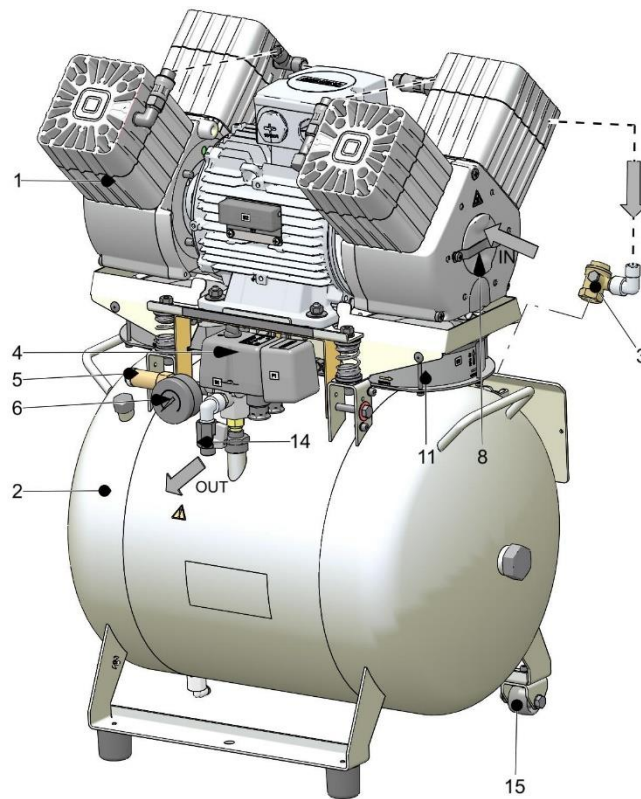


DK50 4VR/50/M

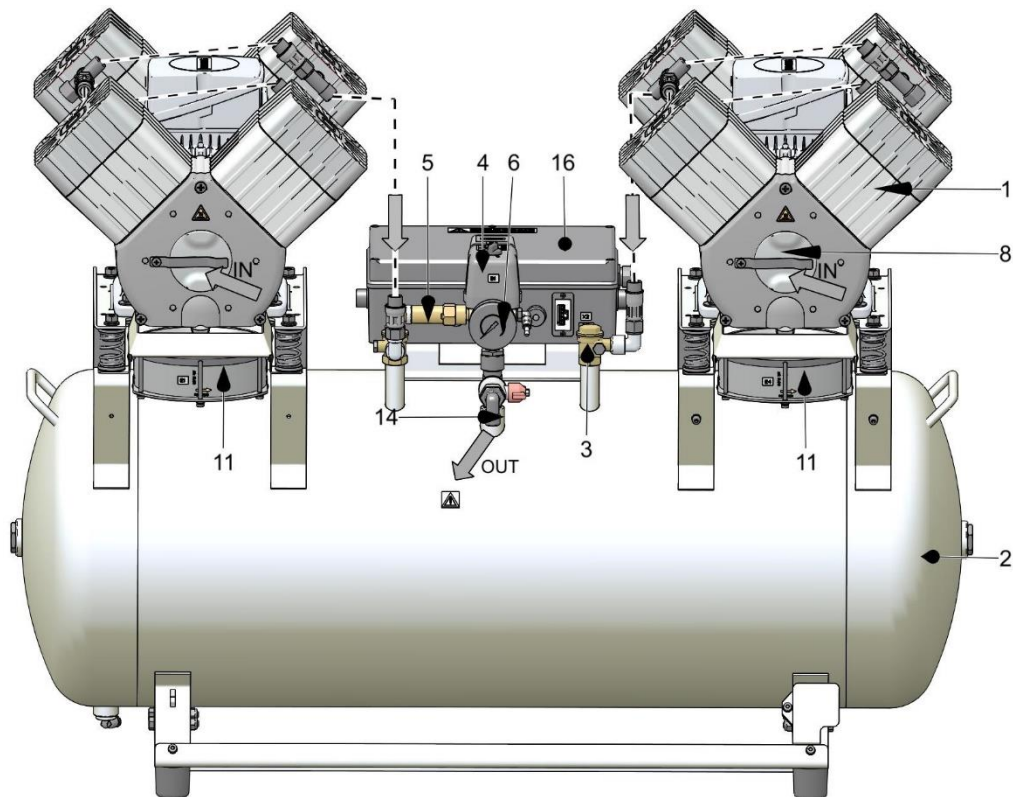


DK50 2x4VR/110/M

Obr. 2: Kompresor

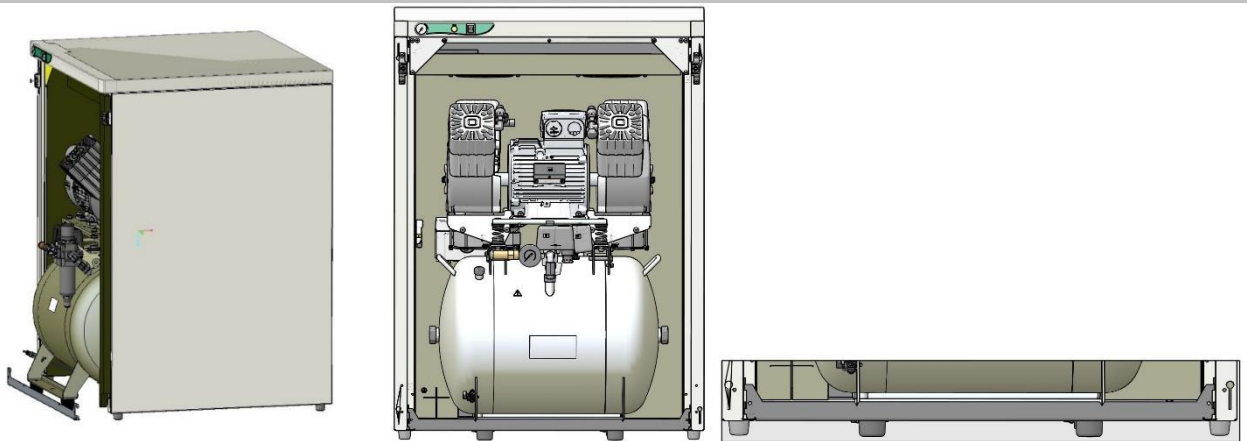
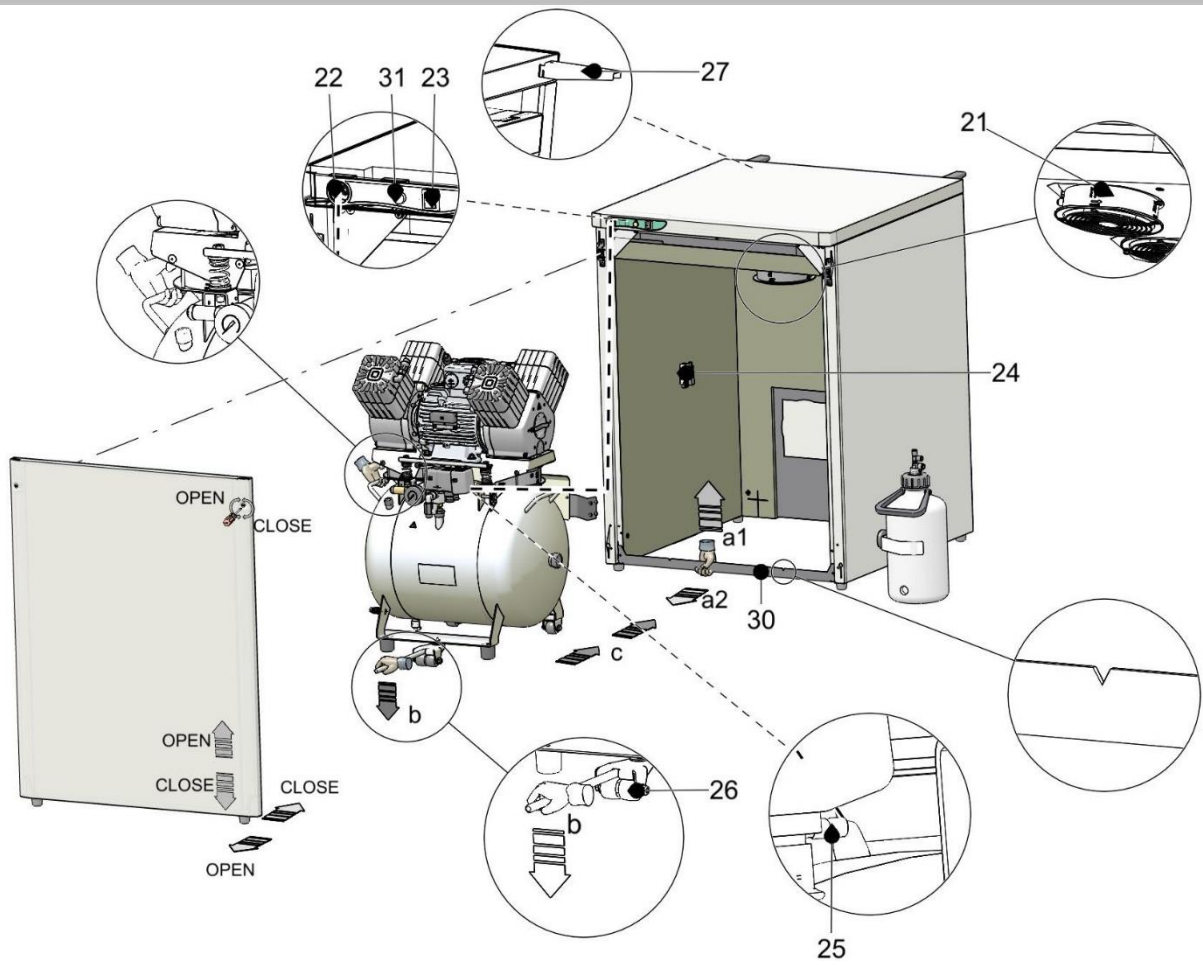


DK50 4VR/50

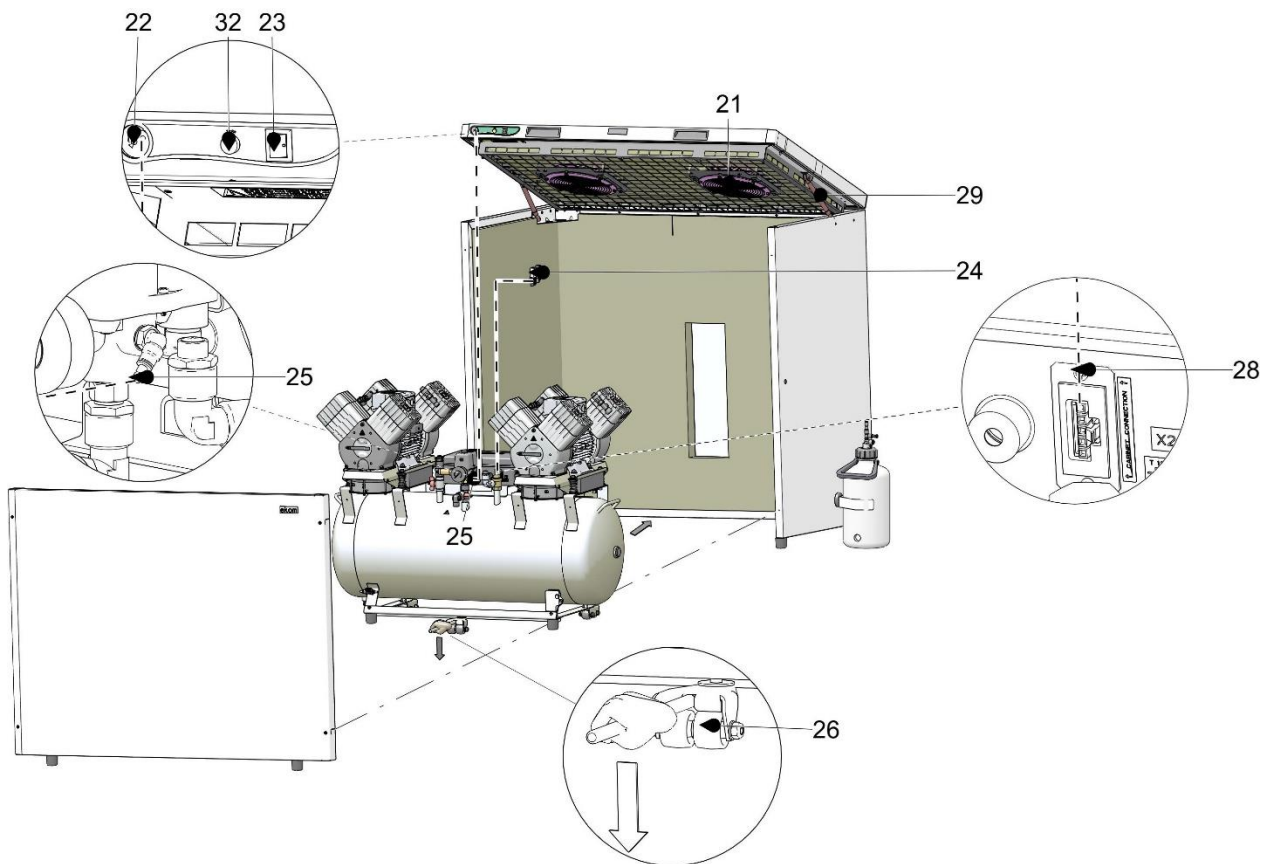


DK50 2x4VR/110

Obr. 3: Skříňka



A – DK50 4VR/50S

**B – DK50 2x4VR/110S**

TECHNICKÉ ÚDAJE

Kompresory jsou konstruovány pro prostředí suchých a větraných vnitřních prostor za následujících podmínek:

Teplota

+5°C až +40°C

Relativní vlhkost

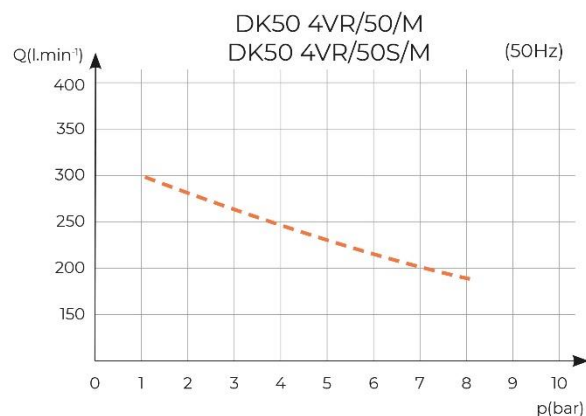
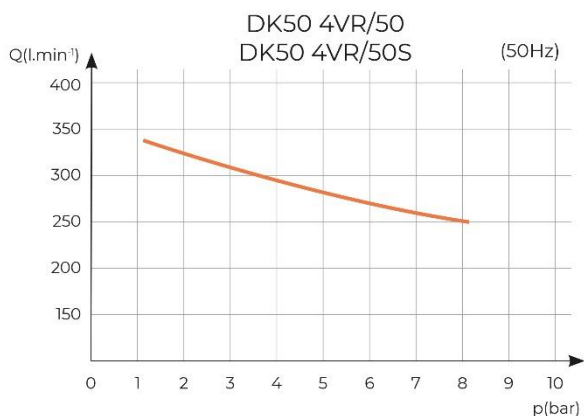
max. 70%

Pracovní tlak 6 – 8 bar		DK50 4VR/50	DK50 4VR/50S	DK50 4VR/50/M	DK50 4VR/50S/M
Jmenovité napětí Kmitočet ^{a)}	V, Hz	3x400, 50	3x400, 50	3x400, 50	3x400, 50
Výkonnost při přetlaku 6 bar (FAD)	l/min	270	270	215	215
Pracovní tlak ^{b)}	bar	6,0 – 8,0	6,0 – 8,0	6,0 – 8,0	6,0 – 8,0
Jmenovitý proud.	A	4,7	5,1	4,8	5,2
Výkon motoru	kW	2,2	2,2	2,2	2,2
Objem vzdušníku	l	50	50	50	50
Kvalita vzduchu – filtrace	μm	-	-	0,1	0,1
Přípustný provozní tlak pojistného ventilu	bar	12,0	12,0	12,0	12,0
Hladina hluku při přetlaku 5 bar (L _{pA})	dB	≤77,0	≤58,0	≤77,0	≤58,0
Provozní režim	%	S1-100	S1-100	S1-100	S1-100
Stupeň sušení – PDP při tlaku 7 bar	°C	-	-	≤ +3	≤ +3
Rozměry (netto) š × h × v	mm	577x587x815	750x778x1015	577x628x815	750x778x1015
Hmotnost netto ^{c)}	kg	70	128	81	139
Klasifikace podle ČSN EN 60601-1		Třída I.			

a) Provedení kompresoru uveďte při objednávce

b) Jiný rozsah tlaku je třeba konzultovat s dodavatelem

c) Hodnota hmotnosti je informativní údaj, platí pouze pro výrobek bez doplňkového vybavení

Závislost výkonnosti kompresoru od pracovního tlaku

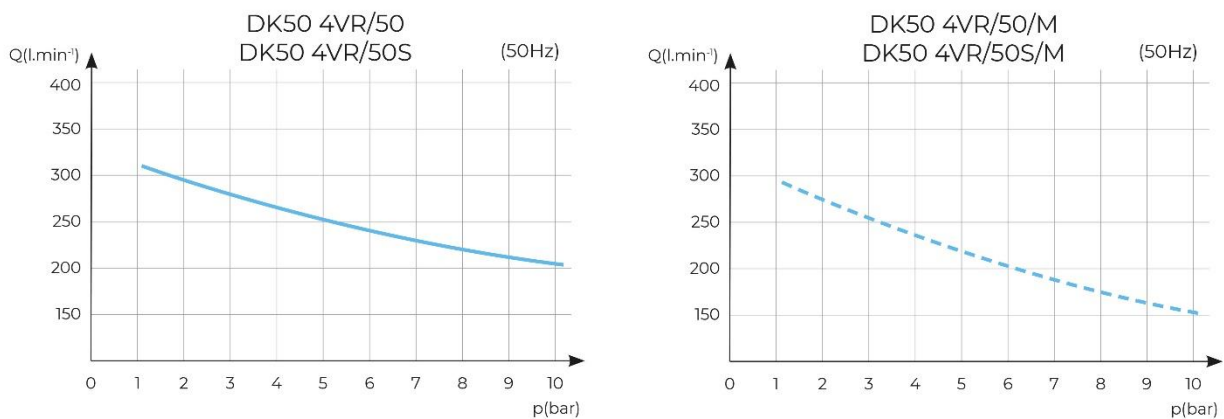
Pracovní tlak 8 – 10 bar		DK50 4VR/50	DK50 4VR/50S	DK50 4VR/50/M	DK50 4VR/50S/M
Jmenovité napětí Kmitočet ^{a)}	V, Hz	3x400, 50	3x400, 50	3x400, 50	3x400, 50
Výkonnost při přetlaku 8 bar (FAD)	l/min	220	220	175	175
Pracovní tlak ^{b)}	bar	8,0 – 10,0	8,0 – 10,0	8,0 – 10,0	8,0 – 10,0
Jmenovitý proud	A	4,7	5,1	5,4	5,9
Výkon motoru	kW	2,2	2,2	2,2	2,2
Objem vzdušníku	l	50	50	50	50
Kvalita vzduchu – filtrace	μm	-	-	0,1	0,1
Přípustný provozní tlak pojistného ventilu	bar	12,0	12,0	12,0	12,0
Hladina hluku při přetlaku 5 bar (L _{pA})	dB	≤77,0	≤58,0	≤77,0	≤58,0
Provozní režim	%	S1-100	S1-100	S1-100	S1-100
Stupeň sušení – PDP při tlaku 7 bar	°C	-	-	≤ +3	≤ +3
Rozměry (netto) š × h × v	mm	577x587x815	750x778x1015	577x628x815	750x778x1015
Hmotnost netto ^{c)}	kg	70	128	81	139
Klasifikace podle ČSN EN 60601-1		Třída I.			

a) Provedení kompresoru uveďte při objednávce

b) Jiný rozsah tlaku je třeba konzultovat s dodavatelem

c) Hodnota hmotnosti je informativní údaj, platí pouze pro výrobek bez doplňkového vybavení

Závislost výkonnosti kompresoru od pracovního tlaku



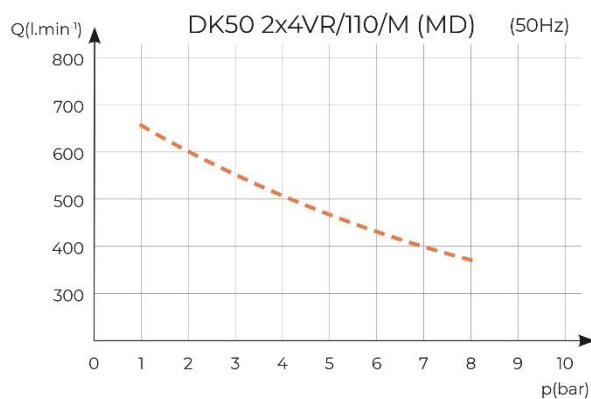
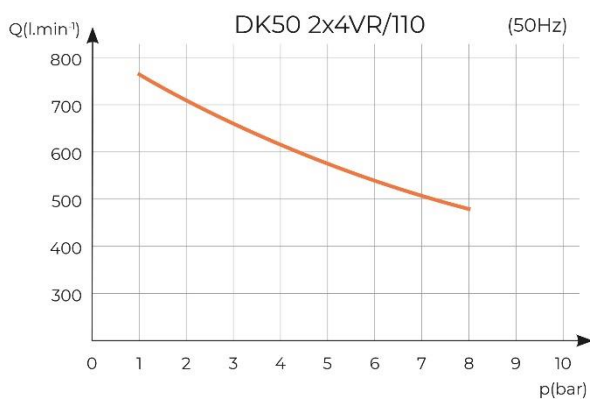
Pracovní tlak 6 – 8 bar		DK50 2x4VR/110	DK50 2x4VR/110S	DK50 2x4VR/110/M	DK50 2x4VR/110S/M
Jmenovité napětí Kmitočet ^{a)}	V, Hz	3x400, 50	3x400, 50	3x400, 50	3x400, 50
Výkonnost při přetlaku 6 bar (FAD)	l/min	540	540	430	430
Pracovní tlak ^{b)}	bar	6,0 – 8,0	6,0 – 8,0	6,0 – 8,0	6,0 – 8,0
Jmenovitý proud	A	9,4	10,2	10,1	10,6
Výkon motoru	kW	2x2,2	2x2,2	2x2,2	2x2,2
Objem vzdušníku	l	110	110	110	110
Kvalita vzduchu – filtrace	µm	-	-	0,1	0,1
Přípustný provozní tlak pojistného ventilu	bar	9,0	9,0	9,0	9,0
Hladina hluku při přetlaku 5 bar (L _{pA})	dB	≤77,0	≤58,0	≤77,0	≤58,0
Provozní režim	%	S1-100	S1-100	S1-100	S1-100
Stupeň sušení – PDP při tlaku 7 bar	°C	-	-	≤ +3	≤ +3
Rozměry (netto) š × h × v	mm	1085x511x830	1260x834x1046	1085x678x830	1260x834x1046
Hmotnost netto ^{c)}	kg	136	218	158	240
Klasifikace podle ČSN EN 60601-1		Třída I.			

^{a)} Provedení kompresoru uveďte při objednávce

^{b)} Jiný rozsah tlaku je třeba konzultovat s dodavatelem

^{c)} Hodnota hmotnosti je informativní údaj, platí pouze pro výrobek bez doplňkového vybavení

Závislost výkonnosti kompresoru od pracovního tlaku



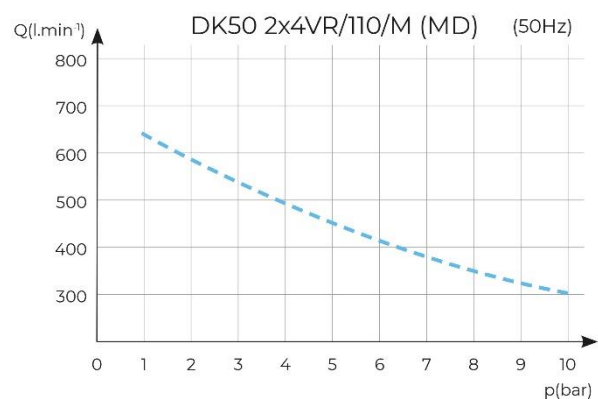
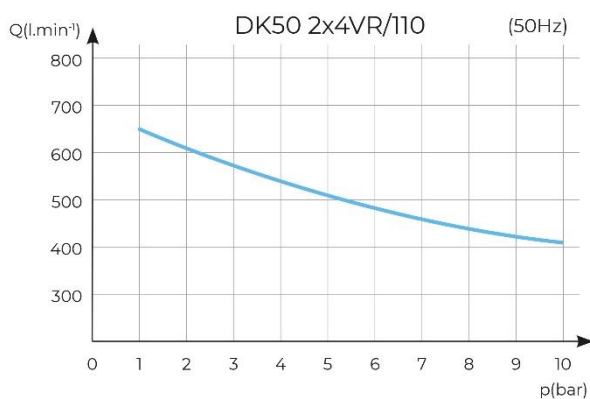
Pracovní tlak 8 – 10 bar		DK50 2x4VR/110	DK50 2x4VR/110S	DK50 2x4VR/110/M	DK50 2x4VR/110S/M
Jmenovité napětí Kmitočet ^{a)}	V, Hz	3x400, 50	3x400, 50	3x400, 50	3x400, 50
Výkonnost při přetlaku 8 bar (FAD)	l/min	440	440	350	350
Pracovní tlak ^{b)}	bar	8,0 – 10,0	8,0 – 10,0	8,0 – 10,0	8,0 – 10,0
Jmenovitý proud	A	9,4	10,2	10,1	10,6
Výkon motoru	kW	2x2,2	2x2,2	2x2,2	2x2,2
Objem vzdušníku	l	110	110	110	110
Kvalita vzduchu – filtrace	μm	-	-	0,1	0,1
Přípustný provozní tlak pojistného ventilu	bar	12,0	12,0	12,0	12,0
Hladina hluku při přetlaku 5 bar (L _{pA})	dB	≤77,0	≤58,0	≤77,0	≤58,0
Provozní režim	%	S1-100	S1-100	S1-100	S1-100
Stupeň sušení – PDP při tlaku 7 bar	°C	-	-	≤ +3	≤ +3
Rozměry (netto) š × h × v	mm	1085x511x830	1260x834x1046	1085x678x830	1260x834x1046
Hmotnost netto ^{c)}	kg	136	218	158	240
Klasifikace podle ČSN EN 60601-1	Třída I.				

a) Provedení kompresoru uveďte při objednávce

b) Jiný rozsah tlaku je třeba konzultovat s dodavatelem

c) Hodnota hmotnosti je informativní údaj, platí pouze pro výrobek bez doplňkového vybavení

Závislost výkonnosti kompresoru od pracovního tlaku



Korekce FAD výkonnosti podle nadmořské výšky

Výkonnost udávaná ve formě FAD („Free Air Delivery“) se vztahuje na podmínky:

Nadmořská výška	0 m. n. m.	Teplota	20 °C
Atmosférický tlak	101 325 Pa	Relativní vlhkost	0 %

Pro přepočítání FAD výkonnosti kompresoru v závislosti na nadmořské výšce je třeba aplikovat korekční faktor podle následující tabulky:

Nadm. výška [m. n. m.]	0–1500	1501–2500	2501–3500	3501–4500
Korekční faktor FAD	1	0,8	0,71	0,60

Prohlášení k elektromagnetické kompatibilitě

Přístroj vyžaduje speciální obezřetnost týkající se elektromagnetické kompatibility (EMC) a vyžaduje instalaci a uvedení do provozu v souladu s EMC informacemi uvedenými níže.

Návod a prohlášení výrobce - elektromagnetická vyzařování		
Podle IEC 60601-1-2: 2014 - Zdravotnické elektrické přístroje. Část 1-2: Všeobecné požadavky na základní bezpečnost a nezbytnou funkčnost. Skupinová norma: Elektromagnetické rušení		
Přístroj je určen pro použití v elektromagnetickém prostředí specifikovaném níže. Zákazník nebo uživatel by měly zajistit, aby byl přístroj používán v takovém prostředí.		
Zkouška vyzařování	Shoda	Elektromagnetické prostředí - návod
RF vyzařování CISPR 11	Skupina 1	Přístroj využívá RF energii pouze pro svoji interní funkci. Proto jsou RF emise velmi nízké a pravděpodobně nezpůsobí rušení blízkých elektronických zařízení.
RF vyzařování CISPR 11	Třída B	Přístroj je vhodný pro použití ve všech institucích, včetně domácností a těch objektů, jež jsou přímo připojeny k veřejné nízkonapěťové napájecí síti, která zásobuje budovy používané pro účely bydlení.
Harmonická vyzařování IEC 61000-3-2	Třída A	
Kolísání napětí / blikavé vyzařování IEC 61000-3-3	Přístroj pravděpodobně nebude způsobovat blikavé vyzařování, protože proud po spuštění je přibližně konstantní.	

Návod a prohlášení výrobce - elektromagnetická odolnost

Podle IEC 60601-1-2: 2014 - Zdravotnické elektrické přístroje. Část 1-2: Všeobecné požadavky na základní bezpečnost a nezbytné provozní vlastnosti. Skupinová norma: Elektromagnetické rušení

Přístroj je určen pro použití v elektromagnetickém prostředí specifikovaném níže. Zákazník nebo uživatel by měly zajistit, aby byl přístroj používán v takovém prostředí.


Zkouška odolnosti	Zkušební úroveň IEC 60601-1-2	Vyhovující úroveň	Elektromagnetické prostředí - návod
Elektrostatický výboj (ESD) dle IEC 61000-4-2	±8 kV kontakt ±15 kV vzduch	±8 kV kontakt ±15 kV vzduch	Podlaha by měla být dřevěná, betonová nebo keramická. Pokud je podlaha pokryta syntetickým materiálem, musí být relativní vlhkost vzduchu alespoň 30%.
Rychlé elektrické přechodné jevy / skupiny impulzů IEC 61000-4-4	± 2 kV u napájecích vedení ± 1 kV u vstupního / výstupního vedení	± 2 kV 100 kHz frekvence opakování Připojené na síť	Jakost napájecí sítě by měla být taková, jenž je typická pro komerční nebo nemocniční prostředí.
Rázový impulz IEC 61000-4-5	± 1 kV rozdílový režim ± 2 kV společný režim	± 1 kV L-N ± 2 kV L-PE; N-PE Připojené na síť	Jakost napájecí sítě by měla být taková, jenž je typická pro komerční nebo nemocniční prostředí.
Pokles napětí, krátké přerušení a změny napětí na vstupních elektrických rozvodech IEC 60601-4-11	UT = 0%, 0,5 cyklu (Při 0, 45, 90, 135, 180, 225, 270 a 315 °) UT = 0%, 1 cyklus UT = 70% 25/30 cyklů (při 0 °) UT = 0%, 250/300 cyklů	UT => 95%, 0,5 cyklu (Při 0, 45, 90, 135, 180, 225, 270 a 315 °) UT => 95%, 1 cyklus UT = 70% (30% pokles UT), 25 (50Hz) / 30 (60Hz) cyklů (při 0 °) UT => 95%, 250 (50Hz) / 300 (60Hz) cyklů	Jakost napájecí sítě by měla být taková, jenž je typická pro komerční nebo nemocniční prostředí. Přístroj se automaticky zastaví a restartuje při každém poklesu napětí. V tomto případě nedochází k nepřijatelnému poklesu tlaku.
Magnetické pole síťového kmitočtu (50/60 Hz) podle IEC 61000-4-8	30 A/m	30 A/m	Magnetické pole síťového kmitočtu by měla odpovídat typickým hodnotám, které se nacházejí v komerčním nebo nemocničním prostředí.

POZNÁMKA: UT je AC síťové napájení před aplikací zkušební úrovně.

Návod a prohlášení výrobce - elektromagnetická odolnost

Podle IEC 60601-1-2: 2014 - Zdravotnické elektrické přístroje. Část 1-2: Všeobecné požadavky na základní bezpečnost a nezbytné provozní vlastnosti. Skupinová norma: Elektromagnetické rušení

Přístroj je určen pro použití v elektromagnetickém prostředí specifikovaném níže. Zákazník nebo uživatel by měly zajistit, aby byl přístroj používán v takovém prostředí.

Zkouška odolnosti	Zkušební úroveň IEC 60601-1-2	Vyhovující úroveň	Elektromagnetické prostředí - návod
Vedený vysoký kmitočet IEC 61000-4-6	3 Vrms 150 kHz až 80MHz	3 Vrms	Přenosné a mobilní vysokofrekvenční sdělovací zařízení se nemají používat blíže jakékoliv části přístroje včetně kabelů, než je doporučená oddělovací vzdálenost vypočtená pomocí rovnice vhodné pro kmitočet vysílače. Doporučená oddělovací vzdálenost $d=1,2\sqrt{P}$ $d=1,2\sqrt{P}$, 80 MHz až 800 MHz $d=2,3\sqrt{P}$, 800 MHz až 2,7 GHz
Vyzařovaný vysoký kmitočet IEC 61000-4-3	3 V/m 80 MHz až 2,7 GHz	3 V/m	kde P je maximální jmenovitý výstupní výkon vysílače ve wattech (W) podle údajů výrobce vysílače a d je doporučená oddělovací vzdálenost v metrech (m). Intenzity pole ze stálých vysokofrekvenčních vysílačů, určené přehledem elektromagnetické charakteristiky daného místa ^a , by měla být v každém kmitočtovém rozsahu ^b nižší než vyhovující úroveň.
Blízké pole od RF bezdrátových komunikačních přístrojů IEC 61000-4-3	9 až 28 V/m 15 určených frekvencí (380 až 5800 MHz)	9 až 28 V/m 15 určených frekvencí (380 až 5800 MHz)	V okolí přístroje označeného následující značkou může dojít k rušení: 

POZNÁMKA 1 Při 80 MHz a 800 MHz platí vyšší kmitočtový rozsah.

POZNÁMKA 2 Tento návod nemusí platit ve všech situacích. Šíření elektromagnetického vlnění je ovlivněno pohlcováním a odrazem od staveb, předmětů a lidí.

^a Intenzity pole ze stálých vysílačů, jako jsou základnové stanice u rádiových (buňkových/bezšňurových) telefonů a pozemních mobilních i amatérských radiostanic, u AM a FM rádiového a televizního vysílání, nemohou být přesně teoreticky předpovídány. K posouzení elektromagnetického prostředí pro stálé vysokofrekvenční vysílače by měl být zvážěn přehled o elektromagnetické charakteristice v místě. Pokud naměřená intenzita pole na místě, na kterém je přístroj používán, překročí výše uvedenou příslušnou vysokofrekvenční vyhovující úroveň, je třeba přístroj pozorovat, aby bylo možné ověřit jeho normální provoz. Neobvyklé chování si může vyžádat dodatečná opatření, např. jiné nasměrování nebo přemístění přístroje.

^b V celém kmitočtovém rozsahu od 150 kHz do 80 MHz by intenzita pole měla být nižší než 3 V/m.

INSTALACE



Nebezpečí nesprávné instalace.

Kompresor smí instalovat a poprvé uvést do provozu pouze kvalifikovaný odborník. Jeho povinností je zaškolit obsluhující personál o používání a údržbě zařízení. Instalaci a zaškolení obsluhy potvrdí zápisem v záznamu o instalaci zařízení (viz Příloha).

10. INSTALAČNÍ PODMÍNKY

- Kompresor se smí instalovat a provozovat pouze v suchých, dobře větraných a bezprašných prostorách, při podmínkách uvedených v Technických údajích.



Nebezpečí poškození zařízení.

Zařízení nesmí být provozována ve venkovním, ani ve vlhkém nebo mokřém prostředí.



Nebezpečí výbuchu.

Je zakázáno používat zařízení v prostorech s výskytem výbušných plynů, prachu nebo hořlavých kapalin.



Nebezpečí popálení nebo požáru. Pozor, horký povrch.

Během provozu kompresoru se části agregátu, části sušiče a propojovací hadice mezi sušičem a kompresorem zahřívají na teploty nebezpečné pro kontakt s obsluhou nebo materiálem.

- Kompresor se musí instalovat tak, aby byl snadno přístupný pro obsluhu a údržbu a aby byl přístupný výrobní štítek.
- Kompresor musí stát na rovném a dostatečně stabilním podkladu (pozor na hmotnost kompresoru, viz Technické údaje).
- Jiné použití nebo použití nad tento rámec se nepovažuje za použití podle určení. Výrobce neručí za škody z toho vyplývající. Riziko nese výhradně provozovatel/uživatel.



Nebezpečí vysoké teploty.

Je zakázáno vytvářet překážky pro proudění vzduchu před a za chladičem sušiče. Může dojít k nebezpečnému nárůstu teploty vnitřních i vnějších částí sušiče.



Při prvním uvedení do provozu můžete dočasně (na krátkou dobu) cítit charakteristický pach nového výrobku. Tento pach je pouze krátkodobý a nebrání řádnému používání výrobku. Po instalaci zajistěte větrání místnosti.

11. SESTAVENÍ KOMPRESORU

11.1. Manipulace a odjištění

- Vybalte kompresor z obalu.
- Ustavte kompresor na místo provozu. (Obr. 4)

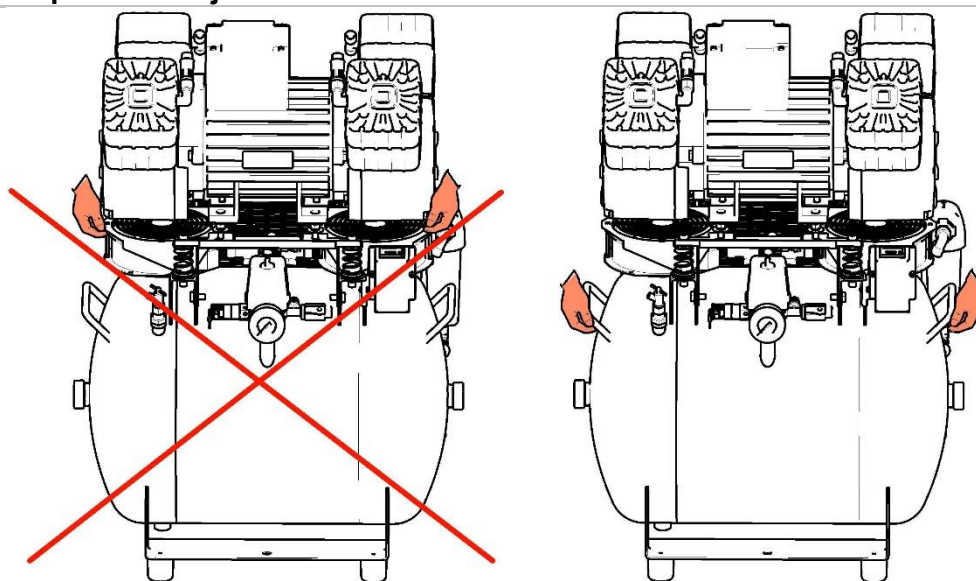


Při manipulaci s kompresorem používejte k uchopení úchopná madla kompresoru. K uchopení nepoužívejte jiné části kompresoru (agregát apod.).

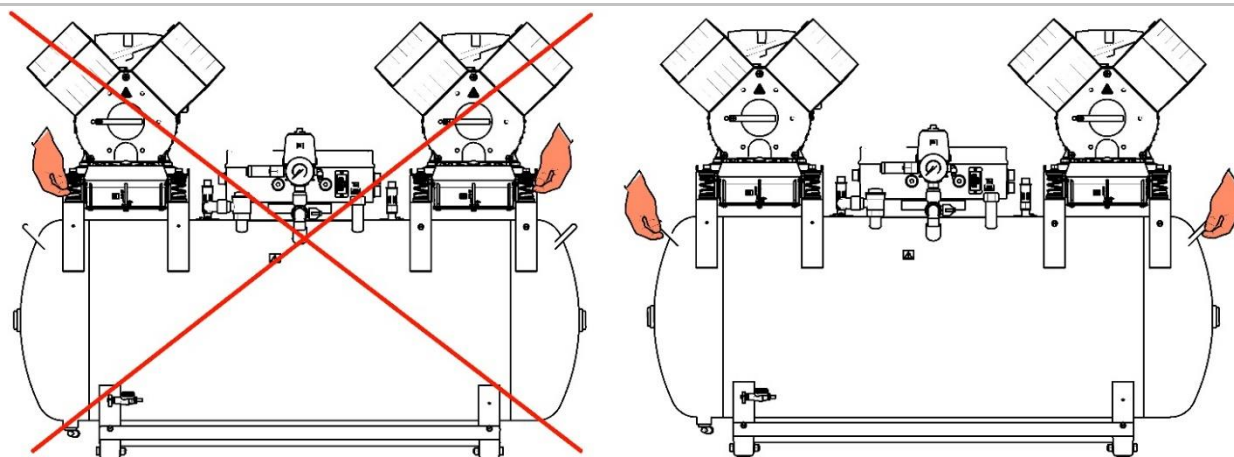


Při manipulaci se zařízením jsou zapotřebí alespoň dvě osoby.

Obr. 4: Manipulace a odjištění



DK50 4VR/50



DK50 2x4VR/110

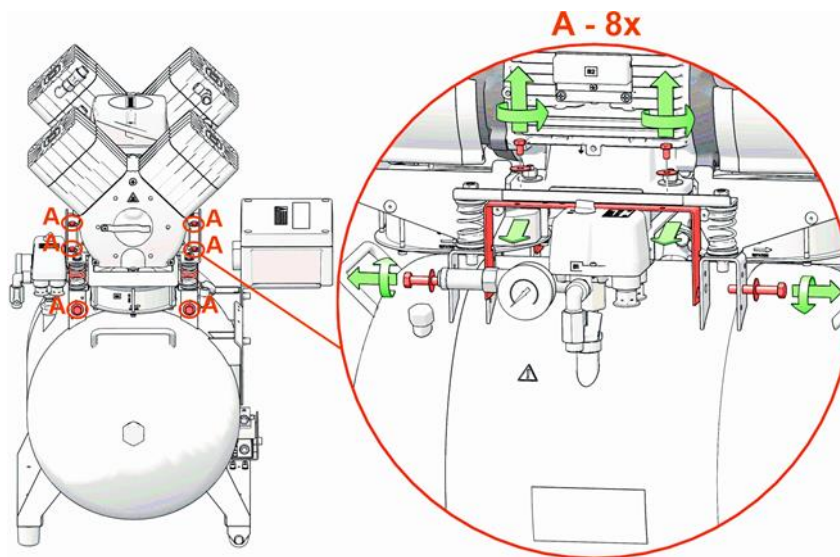
- Odstranit transportní zajištění agregátů. (Obr. 5)



Před prvním uvedením do provozu se musí odstranit všechny jistící prvky sloužící k fixaci zařízení během dopravy - jinak hrozí poškození výrobku.

Fixační prvky agregátů odstraňte až po ustavení a vyvážení kompresoru na místě konečného uložení.

Obr. 5: Odjištění agregátu



DK50 4VR/50



DK50 2x4VR/110

11.2. Umístění kompresoru do skříňky

DK50 4VR/50S (Obr. 3-A)

Demontáž dveří skříňky

- Odmontujte dveře uchycené 2 ks šroubů a odpojte uzemňovací vodič.

Umístění kompresoru

- Sejměte spojovací lištu (30) v přední části skříňky dole.
- Kompresor zasuňte do skříňky pomocí odtahu (26), spojovací lištu položte před skříňku a upravte polohu kompresoru tak, aby dva zářezy typu „V“ na spojovací liště (30) byly před nohama kompresoru. Tím je kompresor správně umístěn vůči skříňce.
- Kompresor se sušičem zasuňte do skříňky tak, aby ventilátor sušiče byl nasunutý do otvoru větracího tunelu ve skříňce. POZOR: Kompresor nezasouvejte dozadu až na doraz, omezil by se přívod chladicího vzduchu do chladiče u sušičové verze kompresoru a hrozilo by trvalé

poškození sušiče.

- Uložte spojovací lištu (30) na původní místo ve spodní části skříňky.

Montáž dveří skříňky

- Přiložte dveře ke skříňce, připojte uzemňovací vodič ke dveřím, dveře osadte na skříňku a upevněte 2 ks šroubů.



Kompresor se sušičem vzduchu se nesmí zasunout do skříňky úplně, jinak hrozí trvalé poškození sušiče.

DK50 2x4VR/110S (Obr. 3-B)

Otevření horního víka

- Uvolnit zámek pootočením šroubováku podle piktogramu a nadzvednout pomocí madla
- Plynové pružiny udrží víko v otevřené poloze.



Při zavírání víka skříňky dbejte zvýšené opatrnosti – riziko přivření prstů.

Po zavření víka skříňky je vždy třeba zajistit rychloupínací prvky!

Demontáž předního panelu skříňky

- Odmontujte dveře uchycené 4 ks šroubů M5 a odpojte uzemňovací vodič.

Umístění kompresoru

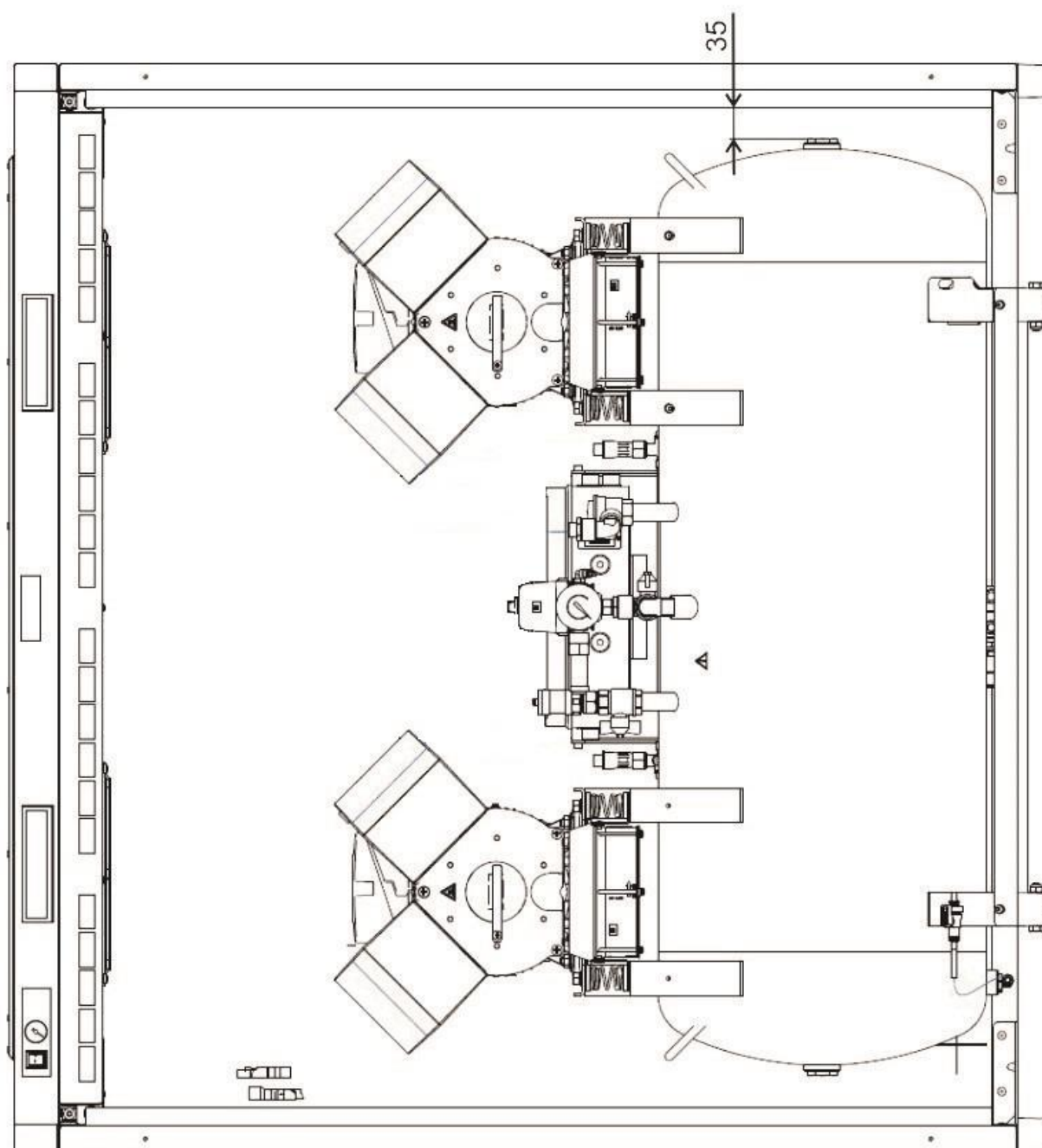
- Kompresor se sušičem zasuňte do skříňky tak, aby ventilátor sušiče byl nasunutý do otvoru větracího tunelu ve skříňce. Polohu kompresoru ve skříňce zkontrolujte podle (Obr. 6).



Kompresor se sušičem vzduchu se nesmí zasunout do skříňky úplně, jinak hrozí trvalé poškození sušiče.

Montáž dveří skříňky

- Přiložte dveře ke skříňce, připojte uzemňovací vodič ke dveřím a dveře osadte na skříňku a upevněte 4 ks šroubů.



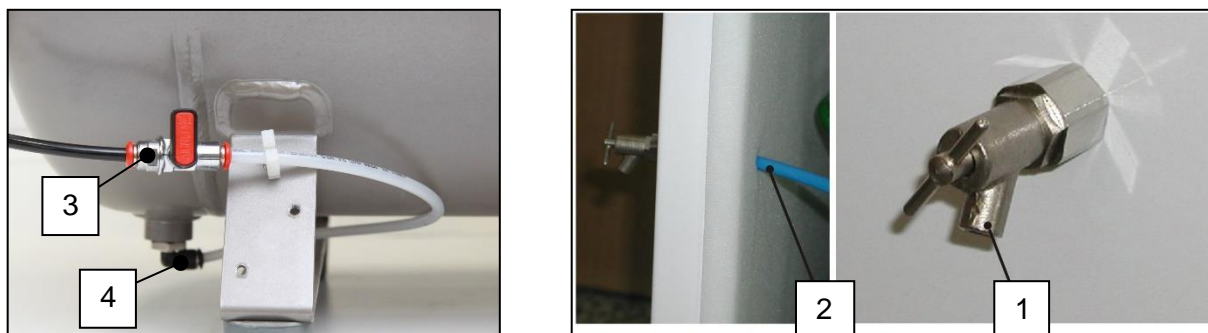
Obr. 6: Umístění kompresoru do skříňky

11.3. Osazení ventilu na odvod kondenzátu na skříňku (DK50 2x4VR/110)

V případě skříňkového provedení kompresoru osadíte šroubení s kohoutem (1) do otvoru na boku skříňky a připojíte hadičku PA o $\varnothing 8 / \varnothing 6$ (2). Druhou stranu hadičky zasuňte do armatury (4) pod vzdušníkem, ze které se odmontuje ventil (3) s hadičkou.

Otvor na protilehlé straně skříňky zaslepte zátkou o $\varnothing 16,5$.

Šroubení s kohoutem je součástí základní výbavy skříňky. Ventil na odvod kondenzátu lze připojit na libovolnou stranu skříňky kompresoru.



Obr. 7: Osazení ventilu na odvod kondenzátu na skříňku (DK50 2x4VR/110)



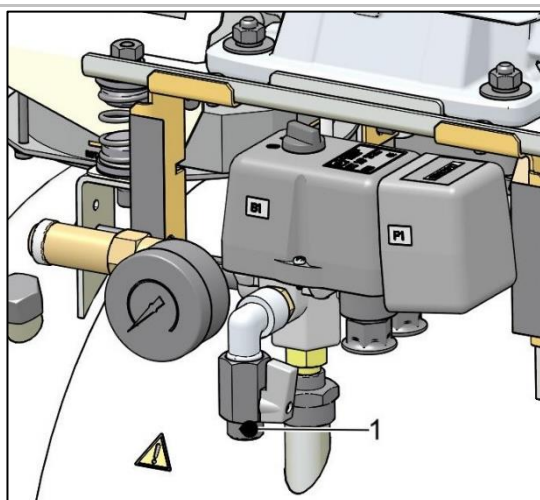
V případě demontáže kompresoru je nutné odpojit konektor skříně šroubovákem!

12. PNEUMATICKÉ PŘIPOJENÍ

12.1. Připojení k výstupu stlačeného vzduchu

- Z výstupu stlačeného vzduchu (1) kompresoru vedte tlakovou hadici ke spotřebiči.
- U kompresoru ve skřínce vyvedte tlakovou hadici přes otvor v zadní stěně skřínky.
- Připojení G3/8" (DK50 4VR/50), G1/2" (DK50 2x4VR/110).

DK50 4VR/50



DK50 2x4VR/110

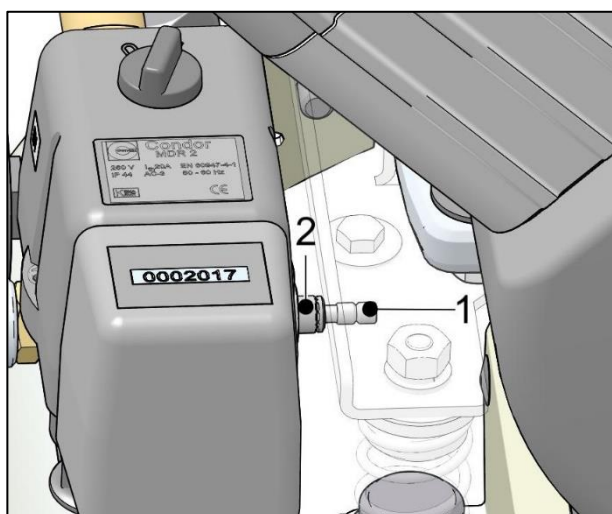


Obr. 8: Připojení k výstupu stlačeného vzduchu

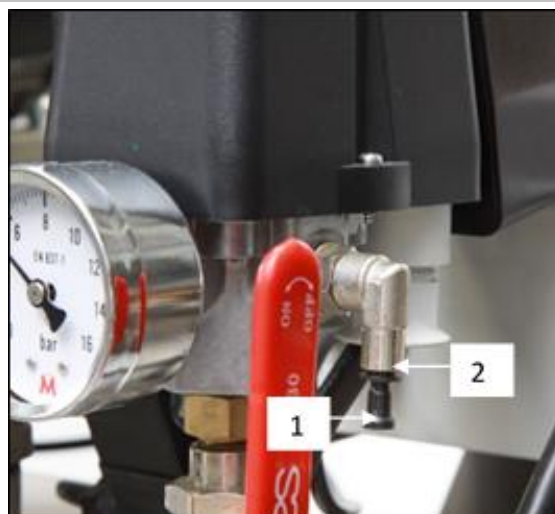
12.2. Připojení tlakoměru skřínky ke kompresoru

- Odstraňte zátku (1) ze šroubení (2) na pneumatickém bloku kompresoru.
- Hadičku manometru skřínky připojte ke šroubení.

DK50 4VR/50



DK50 2x4VR/110



Obr. 9: Připojení tlakoměru skříňky ke kompresoru

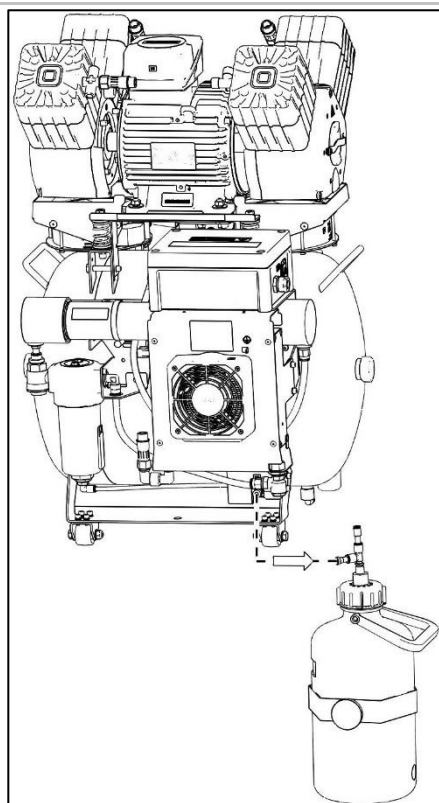
Výstup kondenzátu



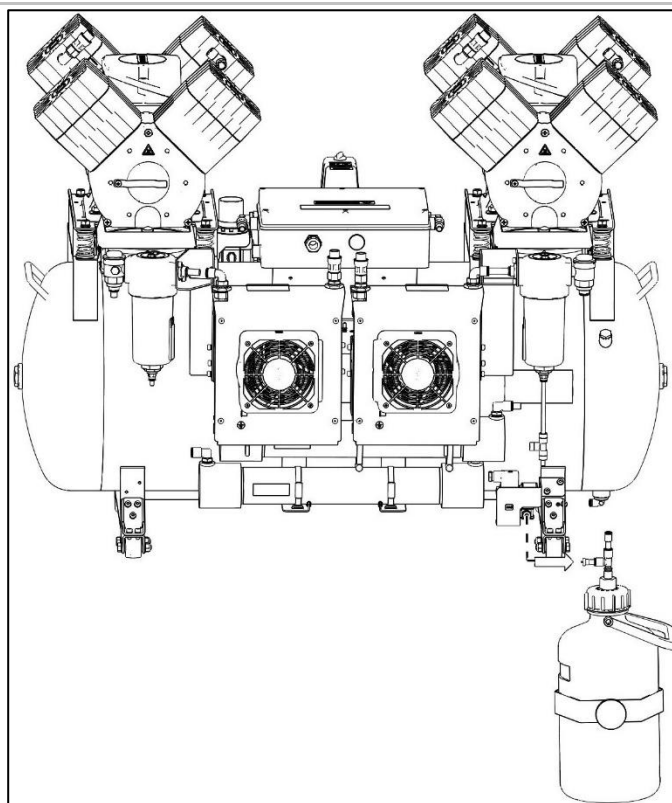
Odvod kondenzátu se nesmí přímo připojit do odpadu! Může dojít k poranění kolemjdoucí osoby!

- Výstup z automatického odvodu kondenzátu připojte hadičkou na odpadní potrubí nebo do přibalené sběrné nádoby.

DK50 4VR/50



DK50 2x4VR/110



Obr. 10: Výstup kondenzátu

12.3. Vedení hadic a elektrických kabelů u skříňkové verze

- U kompresoru se sušičem ve skříňce vyvedte hadičku a elektrické kabely přes otvory v zadní stěně skříňky.



Nebezpečí poškození pneumatických částí.

Vzduchové hadice nesmí být zlomené.

13. ELEKTRICKÉ ZAPOJENÍ

- Výrobek se dodává s kabelem zakončeným zástrčkou s ochranným kontaktem. Síťovou zástrčku zapojte do síťové zásuvky.
- U kompresoru ve skříňce vyvedte kabel elektrického přívodu přes otvor v zadní stěně skříňky.
- Zásuvka musí být z bezpečnostních důvodů dobře přístupná, aby bylo možné výrobek v případě nebezpečí bezpečně odpojit od sítě.
- Příslušný proudový okruh musí být v rozvodu elektrické energie jištěný minimálně na 16 A.



Nebezpečí úrazu elektrickým proudem.

Je nutné respektovat místní elektrotechnické předpisy. Napětí sítě a kmitočet musí souhlasit s údaji na štítku přístroje.



Nebezpečí požáru a úrazu elektrickým proudem.

Elektrický kabel pro připojení na elektrickou síť nesmí být zlomený.



Nebezpečí požáru a úrazu elektrickým proudem.

Elektrický kabel se nesmí dotýkat horkých částí kompresoru.

- Kolík pro ekvipotenciální pospojování 6Ø mm (1) propojte s rozvodem podle platných elektrotechnických předpisů.
- Zásuvka ekvipotenciálního pospojování (2) je doplňkové příslušenství a není součástí základního balení výrobku.



Obr. 11: Ekvipotenciální pospojování

- Nasuňte konektor uzemňovacího vodiče na dveře a přišroubujte na skříňku.

13.1. Zapojení kompresoru bez skříňky

- Síťovou zástrčku zapojte do síťové zásuvky.
- Kompresor je připravený k provozu.

13.2. Zapojení kompresoru ve skříňce

- Kompresoru ve skříňce vyvedte síťový kabel přes otvor v zadní stěně skříňky. (Obr. 12)
- Skříňku elektricky připojte ke kompresoru pomocí kabelu s konektorem do zásuvky. (Obr. 13)
- Skříňku elektricky odpojte od kompresoru vytáhnutím konektoru ze zásuvky s uvolněnou západkou.



Obr. 12: Otvor v zadní stěně skříňky



Obr. 13: Zapojení skříňky ke kompresoru

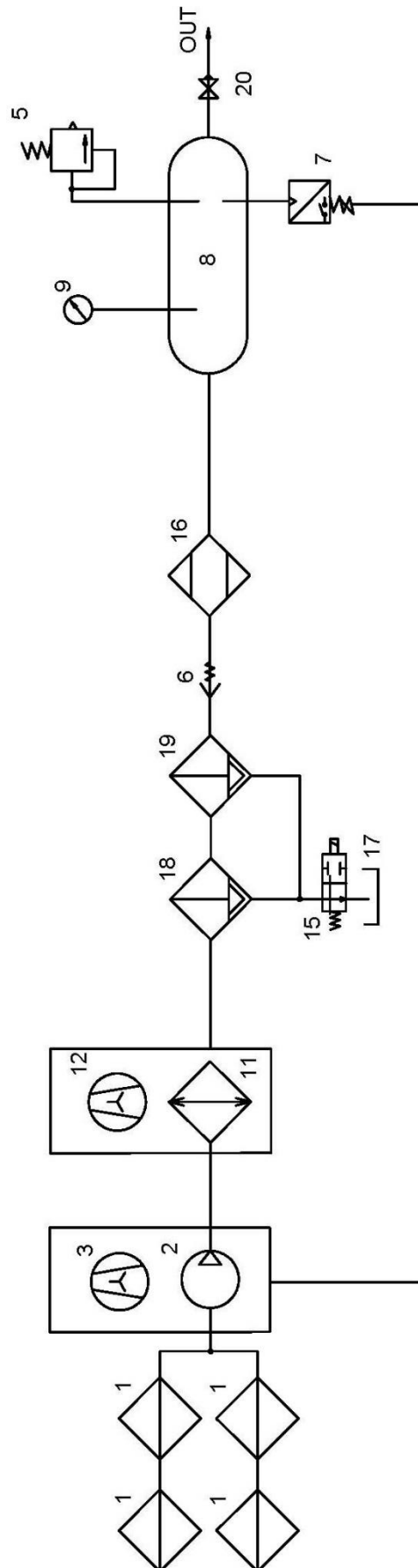
14. PRVNÍ UVEDENÍ DO PROVOZU

- Zkontrolujte, zda byly odstraněny všechny fixační prvky použité při přepravě.
- Zkontrolujte správnost připojení hadic stlačeného vzduchu (viz kap. 12).
- Zkontrolujte správné připojení k elektrické síti (viz kap. 13).
- Zkontrolujte polohu jisticího vypínače, musí se nacházet v poloze „I“. Pokud se nachází v poloze „0“, přepněte vypínač (2) do polohy „I“. (Obr. 14).
- U kompresoru ve skříňce přepněte i vypínač (4) na přední části skříňky zařízení do polohy „I“, zelená kontrolka signalizuje stav zařízení v provozu. (Obr. 14).
- Zkontrolujte zapojení konektoru skříňky ke kompresoru. (Obr. 13)
- Zkontrolujte připojení hadičky manometru skříňky k pneumatickému bloku kompresoru. (Obr. 9).
- Zkontrolujte správné připojení hadičky z automatického odvodu kondenzátu do sběrné nádoby. (Obr. 10)

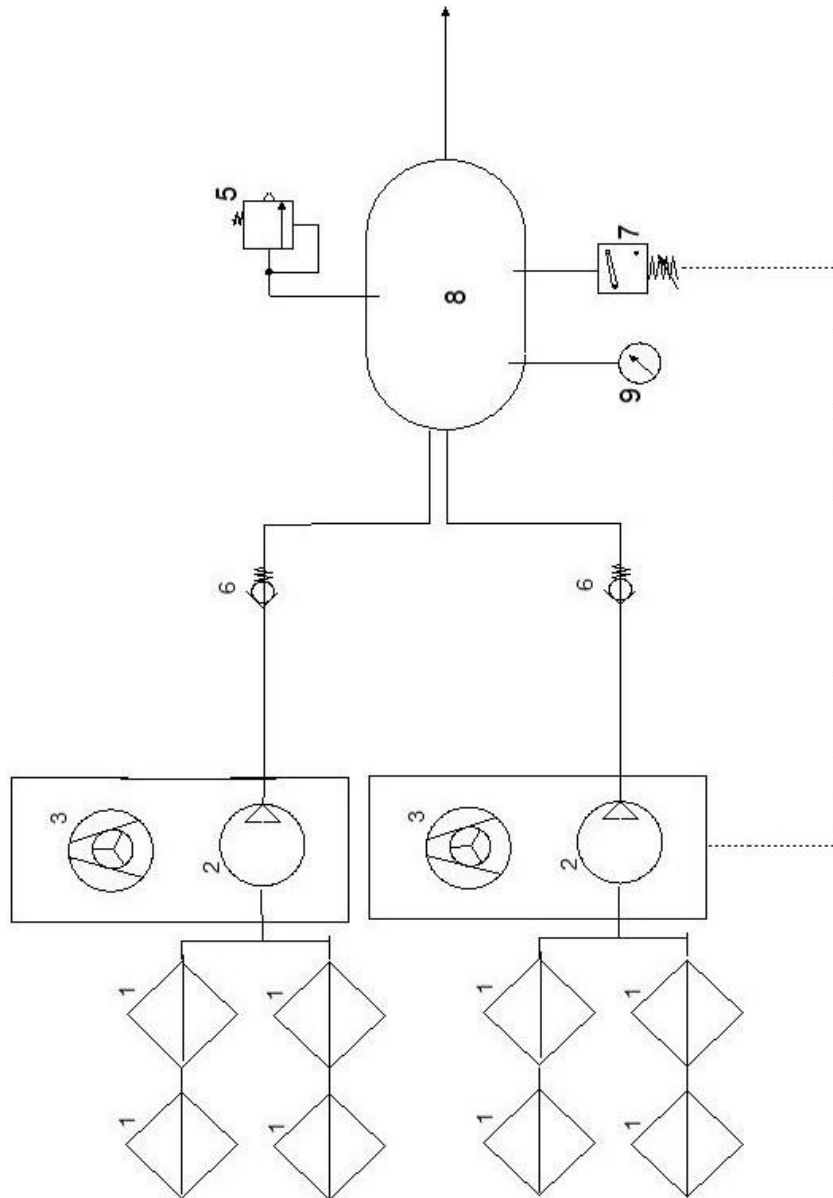


Kompresor neobsahuje záložní zdroj energie.

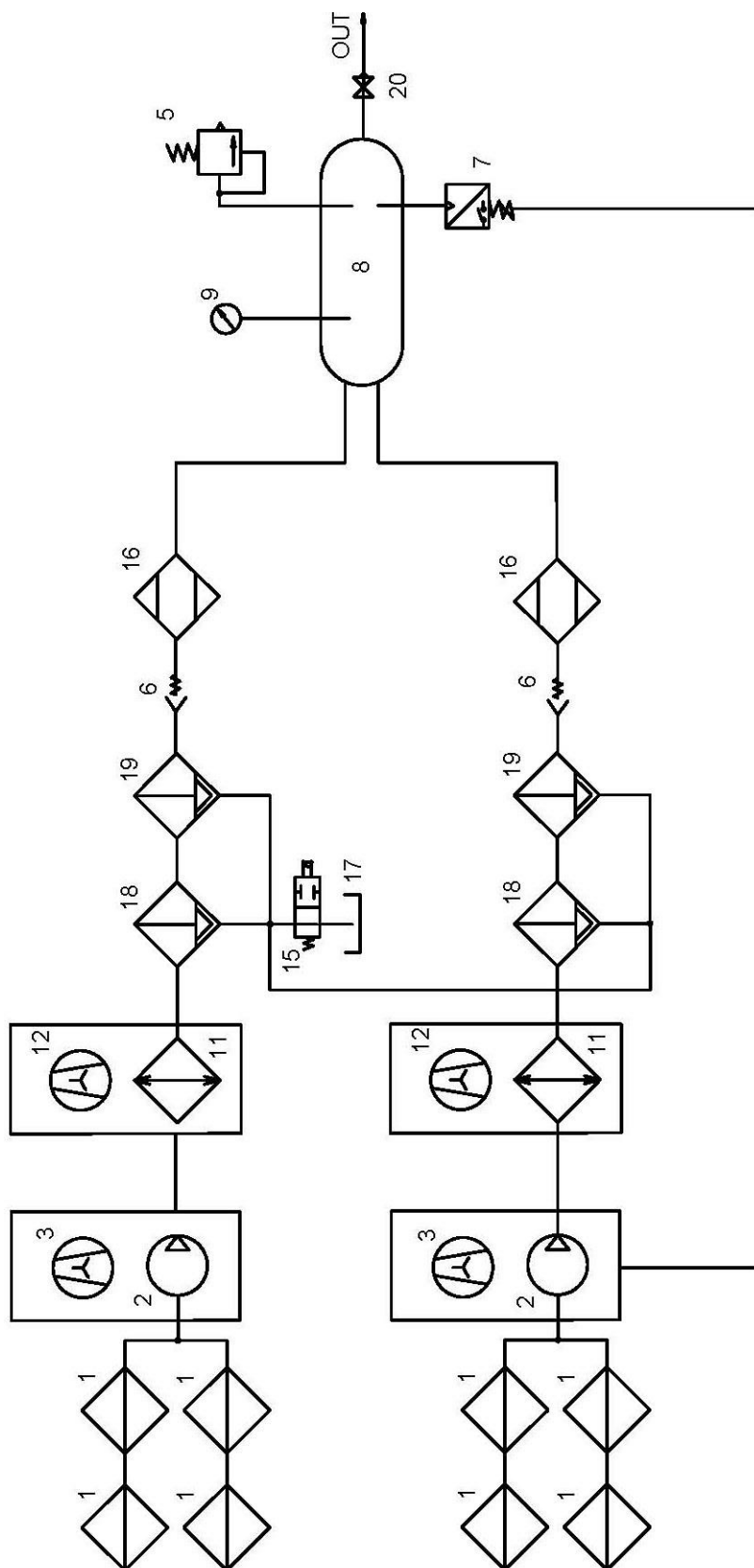
DK50 4VR/50/M



DK50 2x4VR/110



DK50 2x4VR/110/M



Popis k pneumatickému schématu:

- | | |
|-------------------|--|
| 1 Vstupní filtr | 11 Chladič |
| 2 Agregát | 12 Ventiátor chladiče |
| 3 Ventilátor | 13 – |
| 4 - | 14 – |
| 5 Pojistný ventil | 15 Solenoidový ventil pro odvod kondenzátu |
| 6 Zpětný ventil | 16 Sušič |
| 7 Tlakový spínač | 17 Nádoba na sběr kondenzátu |
| 8 Vzdušník | 18 Filtr |
| 9 Tlakoměr | 19 Mikrofiltr |
| 10 - | |

15.2. Elektrické schéma

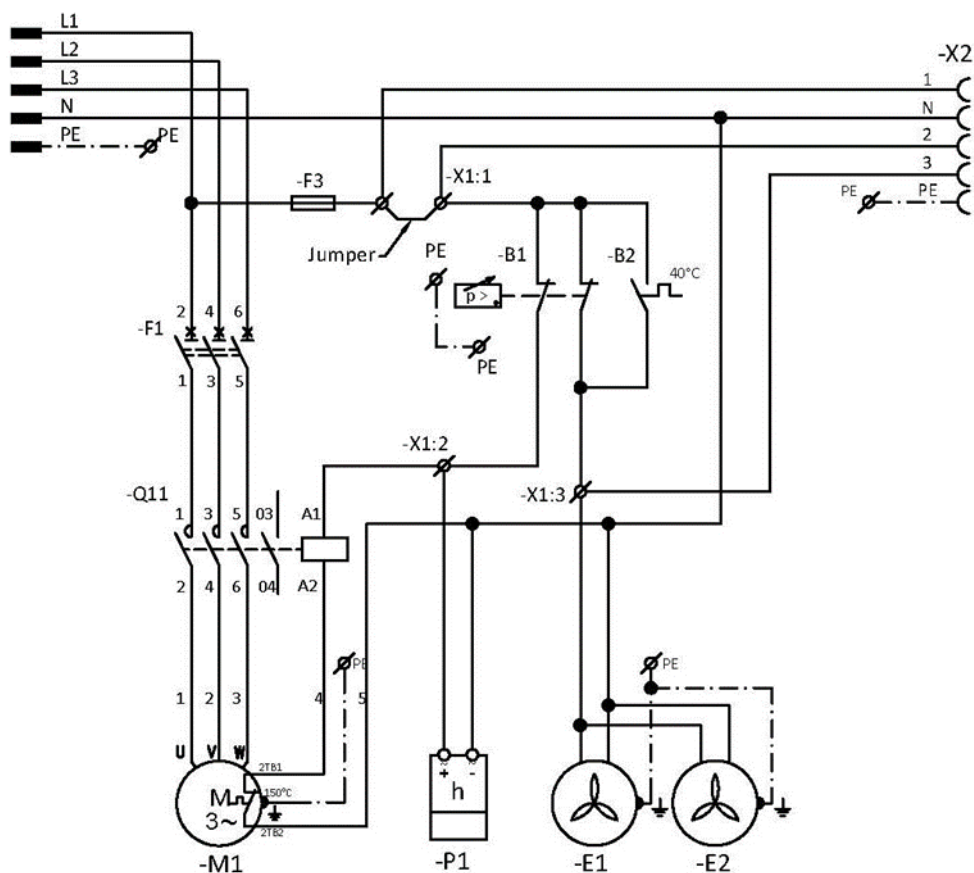
DK50 4VR/50

6 - 8 bar, 8 – 10 bar

3/N/PE~400V, 50Hz

ELEKTRICKÁ SÍŤ TN-S [TN-C-S]

ELEKTRICKÝ PŘEDMĚT TŘ. 1

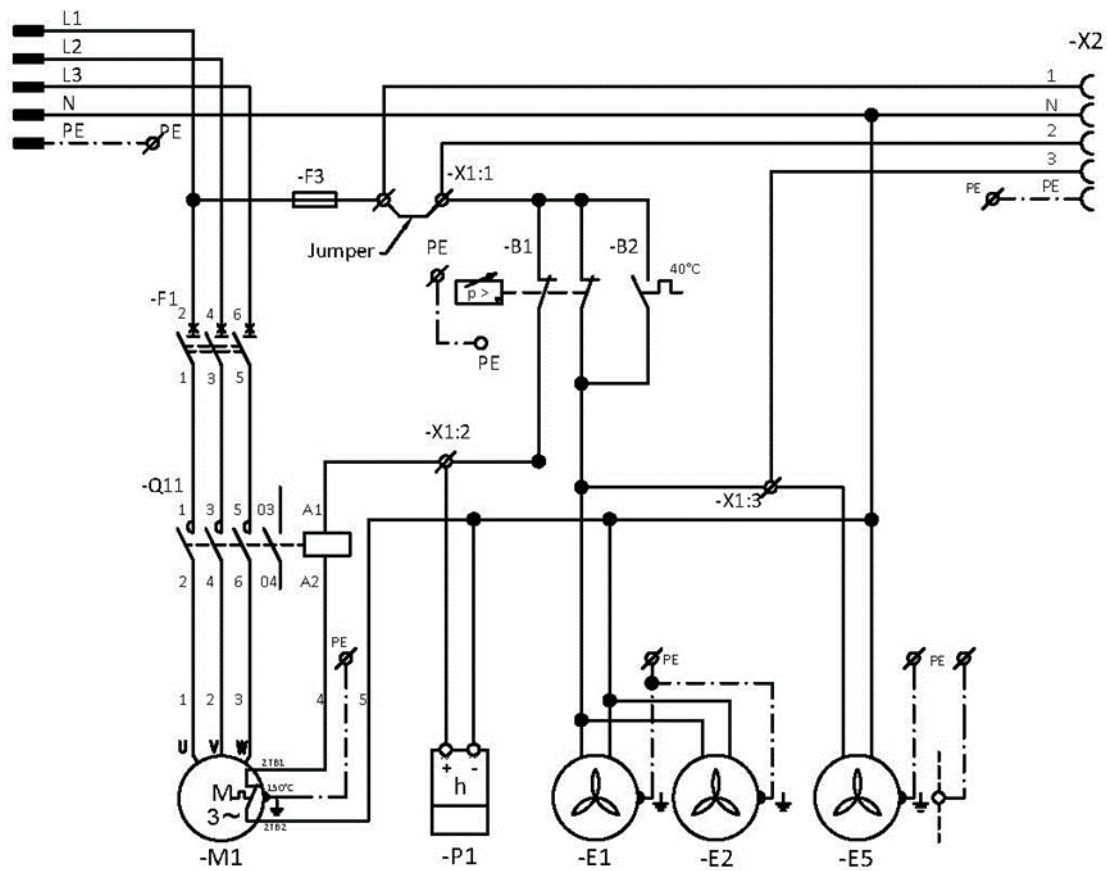


DK50 4VR/50/M**6 - 8 bar, 8 - 10 bar**

3/N/PE-400V, 50Hz

ELEKTRICKÁ SÍŤ TN-S [TN-C-S]

ELEKTRICKÝ PŘEDMĚT TŘ. 1



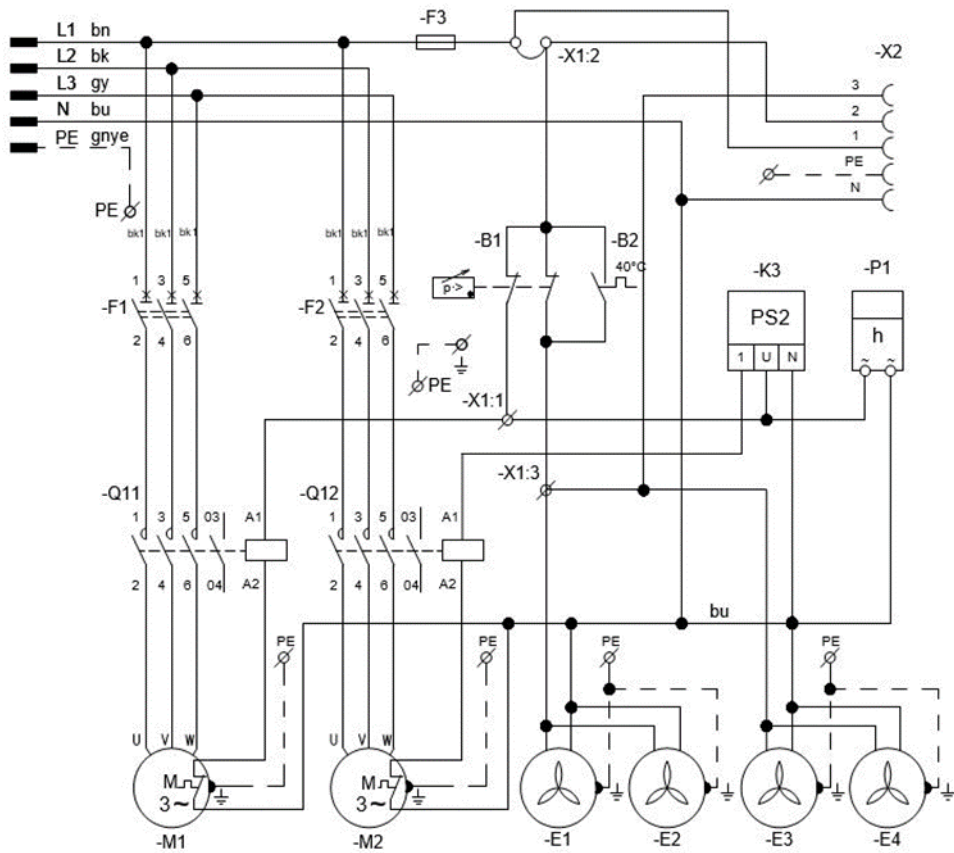
DK50 2x4VR/110

6 - 8 bar, 8 - 10 bar

3/N/PE~400V, 50Hz

ELEKTRICKÁ SÍŤ TN-S [TN-C-S]

ELEKTRICKÝ PŘEDMĚT TŘ. 1

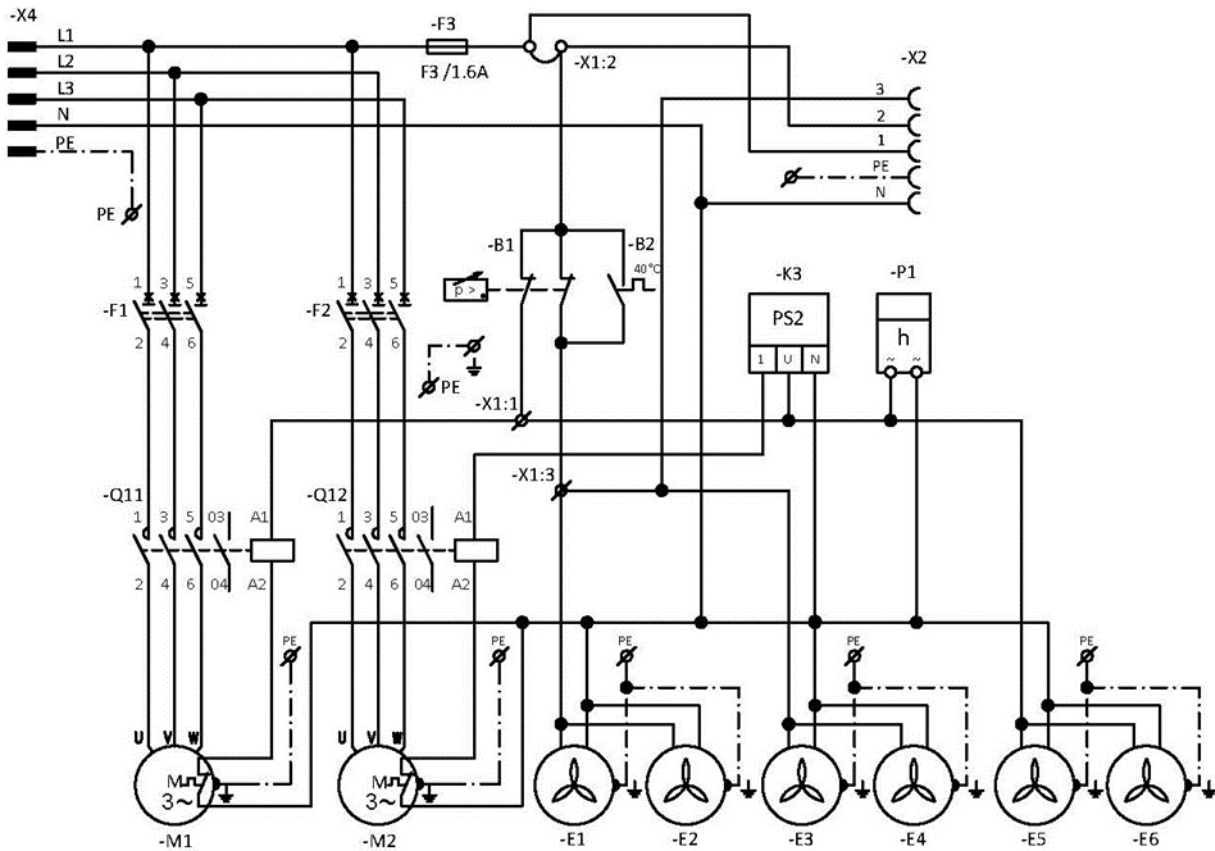


DK50 2x4VR/110/M**6 - 8 bar, 8 - 10 bar**

3/N/PE~400V, 50Hz

ELEKTRICKÁ SÍŤ TN-S [TN-C-S]

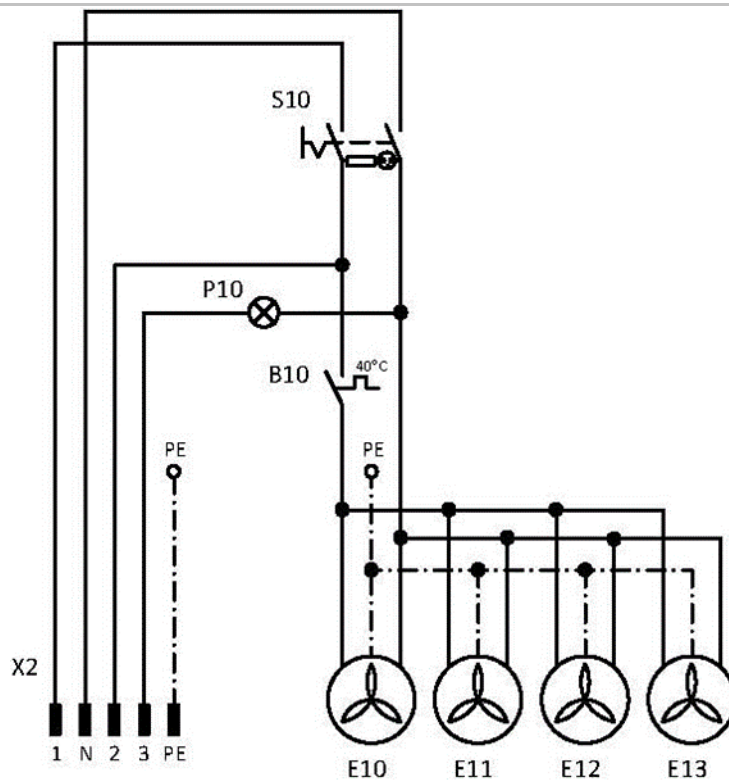
ELEKTRICKÝ PŘEDMĚT TŘ. 1



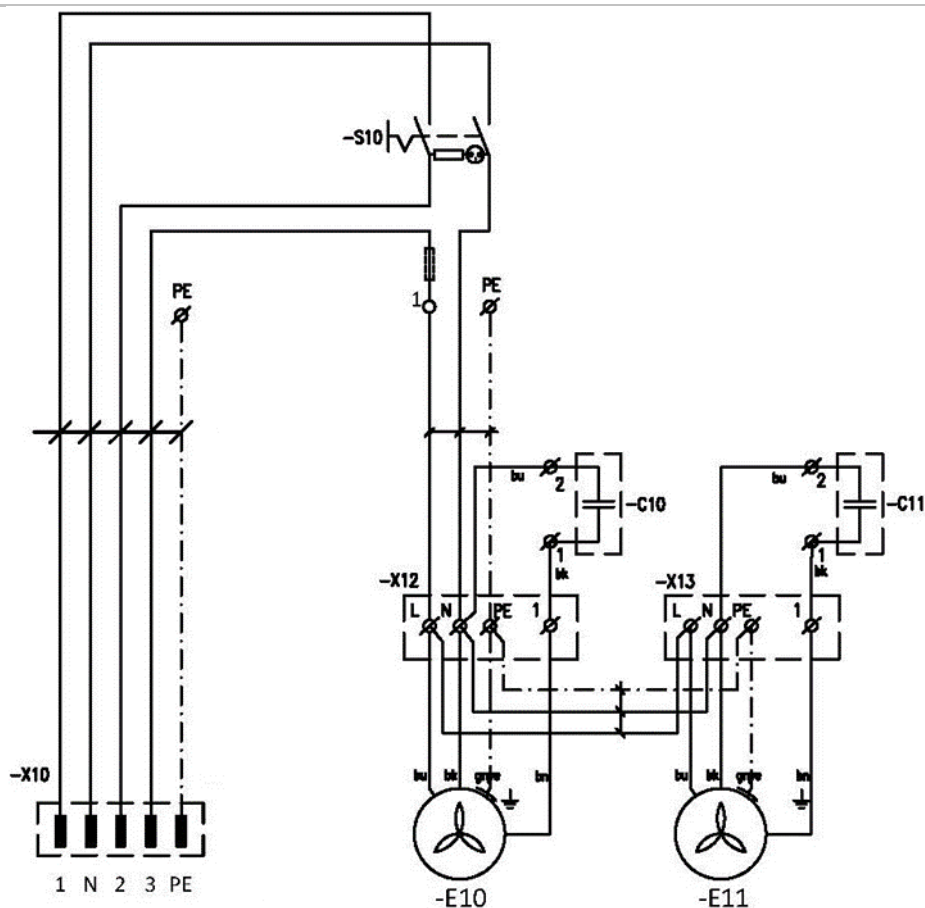
Skříňka kompresoru

1/N/PE ~ 230V 50/60Hz

ELEKTRICKÝ PŘEDMĚT TŘ. 1



DK50 4VR/50



DK50 2x4VR/110

Popis k elektrickým schémátům:

M1, M2	Motor kompresoru	X1	Svorkovnice
E1 – E4	Ventilátor kompresoru	X2	Konektor
F3	Pojistka	M11, M12	Solenoidní ventil sušiče
F1, F2	Jistič	E5 – E8	Ventilátor sušiče
K3	Blok zpoždění motoru	S10	Vypínač
B1	Tlakový spínač	E10-13	Ventilátor skříňky
B2	Teplotní spínač	X10, X11	Konektor
Q11,12	Stykač	P10	Tlejivka
P1	Počítadlo hodin	B10	Teplotní spínač skříňky

OBSLUHA

ZAŘÍZENÍ SMÍ OBSLUHOVAT JEN VYŠKOLENÝ PERSONÁL!



Nebezpečí úrazu elektrickým proudem.

V případě nebezpečí odpojte kompresor od elektrické sítě (vytáhněte síťovou zástrčku).



Nebezpečí popálení nebo požáru.

Při činnosti kompresoru se části agregátu mohou zahřát na teploty nebezpečné pro dotyk osob nebo materiálu.



Výstraha – kompresor je ovládán automaticky.

Automatické spuštění. Když tlak v tlakové nádrži poklesne na zapínací tlak, kompresor se automaticky zapne. Kompresor se automaticky vypne, když tlak ve vzdušníku dosáhne hodnoty vypínacího tlaku.



Nebezpečí poškození pneumatických částí.

Je zakázáno měnit pracovní tlaky tlakového spínače nastaveného výrobcem. Činnost kompresoru při nižším pracovním tlaku, než je zapínací tlak, svědčí o vysoké spotřebě vzduchu (viz kap. Vyhledávání poruch a jejich odstranění).



Požadovaného stupně sušení je možné dosáhnout pouze při dodržení předepsaných provozních podmínek.

Při provozu sušiče při tlaku nižším než minimální pracovní tlak se účinnosti sušení sníží a zhorší se dosažený rosný bod.



Při delším provozu kompresoru se zvýší teplota v jeho okolí nad 40 °C a automaticky se zapne chladicí ventilátor. Po ochlazení prostoru pod přibližně 32 °C se ventilátor opět vypne.

16. ZAPNUTÍ KOMPRESORU

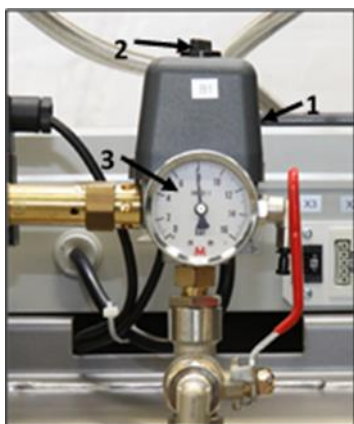
Kompresor (bez skříňky) zapněte na tlakovém spínači (1) otočením přepínače (2) do polohy „I“. Kompresor začne pracovat, naplní vzdušník na vypínací tlak a tlakový spínač vypne kompresor.

Kompresor ve skříňce – po zapnutí na tlakovém spínači zapněte vypínačem (4) na přední straně skříňky, kontrolka se rozsvítí zeleně. Kompresor začne pracovat, naplní vzdušník na vypínací tlak a tlakový spínač vypne kompresor.

Následně již kompresor pracuje v automatickém režimu, podle spotřeby stlačeného vzduchu se kompresor zapíná a vypíná.

Hodnoty zapínacího a vypínacího tlaku zkontrolujte na tlakoměru (3). Hodnoty mohou být v toleranci $\pm 10\%$. Tlak vzduchu ve vzdušniku nesmí překročit přípustný provozní tlak.

Obr. 14: Zapnutí kompresoru



Nebezpečí poškození pneumatických částí.

Tlakový spínač (1) byl nastaven výrobcem a další nastavení zapínacího a vypínacího tlaku může provést pouze kvalifikovaný odborník vyškolený výrobcem.

17. VYPNUTÍ KOMPRESORU

- Vypnutí kompresoru kvůli provedení servisu nebo z jiného důvodu proveďte na tlakovém spínači (1) otočením přepínače (2) do polohy „0“ (Obr. 14) a **vytažením síťové vidlice ze zásuvky**. Kompresor se tím odpojí od napájecí sítě.
- Otevřením vypouštěcího ventilu snižte tlak ve vzdušniku na nulu.

ÚDRŽBA VÝROBKU**18. ÚDRŽBA VÝROBKU**

Provozovatel je povinen zajistit provádění zkoušek zařízení v intervalech, které určují příslušné národní právní předpisy. O výsledcích zkoušek musí být proveden záznam.

Zařízení je navrženo a vyrobeno tak, aby jeho údržba byla minimální. K zajištění řádné a spolehlivé činnosti kompresoru je však zapotřebí provádět úkony dle následujícího popisu.



Nebezpečí neodborného zásahu.

Opravné práce, které přesahují rámec běžné údržby (viz kap. 18.1 Intervaly údržby), smí provádět pouze kvalifikovaný odborník (organizace pověřená výrobcem) nebo zákaznický servis výrobce.

Práce v rámci běžné údržby (viz kap. 18.1 Intervaly údržby) smí provádět pouze zaškolený pracovník obsluhy.

Používat se smí pouze náhradní díly a příslušenství předepsané výrobcem.



Nebezpečí úrazu a poškození zařízení.

Před zahájením prací týkajících se údržby kompresoru je nutné:

- zkontrolovat, zda je možné kompresor odpojit od spotřebiče, aby tím nevzniklo riziko poškození zdraví nebo ohrožení života osoby používající daný spotřebič, případně jiné materiální škody;
- vypnout kompresor;
- odpojit ho od elektrické sítě (vytáhnout síťovou zástrčku);
- vypustit stlačený vzduch ze vzdušníku.



Nebezpečí úrazu při vypouštění stlačeného vzduchu.

Při vypouštění stlačeného vzduchu z pneumatického rozvodu (vzdušníku, komor sušiče) je třeba chránit si zrak – použít ochranné brýle.



Nebezpečí popálení.

Během činnosti kompresoru nebo krátce po jejím ukončení mají části agregátu vysokou teplotu – uvedených částí se nedotýkejte.



Uzemňovací vodič odpojený během servisního zásahu je nutné po ukončení prací znovu připojit na původní místo.

- V případě servisu nebo údržby je možné vysunout kompresor ze skříňky vytáhnutím před skříňku (na kolečkách, pokud to dovolí délka šňůry mezi kompresorem a skříňkou). (Viz kap. 18). Po jeho vytáhnutí je možné provést potřebnou údržbu nebo servis.
- V případě odpojení kabelu mezi kompresorem a skříňkou (vytáhnutím vidlice konektoru, kap.13.2) není kompresor funkční. Aby byl kompresor funkční, musíte postupovat podle kap. 13.2 nebo 18.10 nebo 18.11.

18.1. Intervaly údržby

Časový interval	50 Hz	1x denně	1x týdně	1x za rok	1x za 2 roky	2 000 h	4 000 h	6 000 h	8 000 h	10 000 h	12 000 h	20 000 h	kap.	Souprava náhradních dílů	Provede
Kontrola činnosti výrobku		x											18.2	-	
Vypustte kondenzát ze vzdušníku – Při vysoké RH - Vylijte zachycený kondenzát z nádoby na kondenzát		x											18.5	-	
Vypustte kondenzát ze vzdušníku - Při běžné RH			x										18.5	-	
Kontrola funkčnosti výrobku			x										9	-	
Kontrola těsnosti spojů a kontrolní prohlídka zařízení				x									18.3	-	
Kontrola elektrických spojů				x									18.4	-	
Kontrola chladiče a ventilátoru				x									18.9	-	
Kontrola pojistného ventilu				x									18.6	-	
Výměna vstupního filtru a předfiltru agregátu 4VR a)					x								18.7	025200139-000 025200150-000	

a) platí údaj v hodinách; pokud není dostupný, pak platí údaj o letech

b) po poruše sušiče je nutné kontrolovat funkčnost přepouštěcího ventilu na sušiči

c): platí údaj, který nastane dříve 4 let / 8000 hod.

d) platí údaj, který nastane dříve 8 let / 20000 hod.

Časový interval	50 Hz	1x denně	1x týdně	1x za rok	1x za 2 roky	h	2 000 h	4 000 h	6 000 h	8 000 h	10 000 h	12 000 h	16 000 h	20 000 h	24 000 h	kap. náhradních dílů	Souprava	Provede
Vykonat „opakovanou zkoušku“ podle EN62353				x												18	-	
Výměna filtrační vložky filtru sušiče				x												18.8	025200305-000	

- a) platí údaj v hodinách; pokud není dostupný, pak platí údaj o letech
- b) po poruše sušiče je nutné kontrolovat funkčnost přepouštěcího ventilu na sušiči
- c): platí údaj, který nastane dříve 4 let / 8000 hod.
- d) platí údaj, který nastane dříve 8 let / 20000 hod.

18.2. Kontrola činnosti

- Kontrola stavu agregátů – agregáty musí mít rovnoměrný chod, bez vibrací, přiměřenou hlučnost. V případě negativního výsledku vyhledejte příčinu stavu nebo zavolejte servis
- Kontrola činnosti ventilátorů (pohledem) – ventilátory musí být v provozu v době, kdy jsou v provozu agregáty. V případě negativního výsledku vyhledejte příčinu stavu nebo zavolejte servis.
- Kontrola neporušenosti přívodního kabelu, pneumatických hadic. Poškozené díly vyměňte nebo zavolejte servis.
- Kontrola teploty okolí – teplota okolí musí být nižší než přípustná teplota (40 °C). V případě vyšší teploty zlepšete chlazení v místnosti.
- U kompresoru se sušičem vzduchu – na láhvi pro kondenzát uvolněte zátku a vylijte kondenzát.
- Zkontrolujte provozní stav zařízení (viz kap. 18.4).

18.3. Kontrola těsnosti pneumatických spojů a kontrolní prohlídka zařízení

Kontrola těsnosti

- Kontrolu těsnosti pneumatických rozvodů kompresoru provádějte během provozu – tlakování kompresoru.
- Analyzátozem netěsností nebo mýdlovou vodou zkontrolujte těsnost spojů. Pokud bude indikována netěsnost, musíte spoj dotáhnout, případně utěsnit.

Prohlídka zařízení

- Zkontrolujte stav agregátu kompresoru – rovnoměrnost chodu, přiměřená hlučnost.
- Kontrola činnosti ventilátorů – ventilátory musí být v činnosti v předepsaných provozních cyklech kompresoru.
- Kontrola funkčnosti teplotního spínače (B2) – teplotní spínač zahřejte na teplotu vyšší než 40 °C (např. horkovzdušnou pistolí – pozor, nepůsobte vysokou teplotou na plastové díly v okolí, může dojít k deformaci plastů). Po dosažení teploty 40 °C se uvede do provozu ventilátor E1, E3 – kompresor musí být pod napětím.
- Kontrola stavu filtrů – filtry musí být nepoškozené a přiměřeně čisté.
- Kontrola stavu samotného agregátu, zda nejsou nečistoty v klikové skříni, příp. vůle na klikovém hřídeli.
- Kontrola funkčnosti automatického odvádění kondenzátu.
- V případě zjištěných nedostatků chybné součástky vyměňte.
- Zkontrolujte provozní stav zařízení (viz kap. 18.4).

18.4. Kontrola elektrických spojů



Nebezpečí úrazu elektrickým proudem.

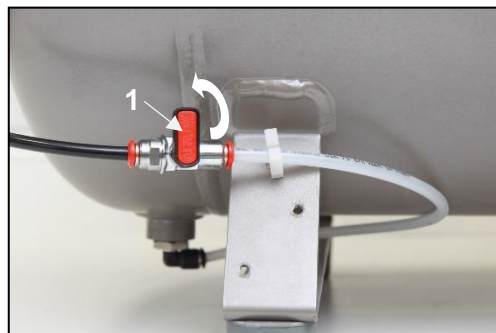
Kontrolu elektrických spojů provádějte až po odpojení síťového napětí.

- Zkontrolujte mechanickou funkčnost hlavního vypínače.
- Zkontrolujte neporušenost přívodního kabelu, připojení vodičů.
- Vizuálně zkontrolujte připojení kabelů ke svorkovnici.
- Zkontrolujte všechny šroubové spoje ochranného zeleno-žlutého vodiče PE.

18.5. Vypuštění kondenzátu

Kompresory

Při pravidelném provozu se doporučuje vypustit kondenzát z tlakové nádoby. Kompresor odpojte ze sítě a tlak vzduchu v zařízení snižte na tlak max. 1 bar, například odpuštěním vzduchu přes připojené zařízení. Nasadte hadičku ze základního vybavení na vypouštěcí ventil. Pod hadičku umístěte nádobu a otevřením vypouštěcího ventilu (1) vypusťte kondenzát z nádrže.



Obr. 15: Vypuštění kondenzátu



Vypouštěcí ventil otvírejte opatrně a postupně. Přílišné otevření vypouštěcího ventilu je doprovázeno výrazným akustickým projevem a nekontrolovaným vystříknutím nahromaděného kondenzátu.



Riziko uklouznutí na vlhké podlaze v případě přetečení nádoby.

Kompresor bez sušiče je možné vybavit Automatickým odvodem kondenzátu (AOK), který zajistí odvádění kondenzátu bez zásahu obsluhy.



Kompresory se sušičem vzduchu

U kompresoru se sušičem vzduchu se kondenzát automaticky vypouští do nádoby na sběr kondenzátu.

Obr. 16: Kontrola nádoby na kondenzát



Sledujte naplnění nádoby po rysku (podle objemu 1l/2l nádoby) a vyprázdněte nejpozději jednou za den. V případě nedodržení intervalu vylévání nádoby může dojít k přetečení nádoby.



Před následujícími kontrolami je třeba:

- Při provedení kompresoru se skříňkou – odemknout zámky na horní desce skříňky a nadzvednout.

18.6. Kontrola pojistného ventilu

- Šroub (2) pojistného ventilu (1) otočte o několik otáček doleva, dokud nedojde k vyfouknutí vzduchu přes pojistný ventil.
- Pojistný ventil nechejte jen krátce volně odfouknout.
- Šroub (2) otáčejte doprava až na doraz, ventil nyní musí být opět zavřený.



Obr. 17: Kontrola pojistného ventilu



Nebezpečí nebezpečného nárůstu tlaku při poškození pojistného ventilu.

Pojistný ventil se nesmí používat k odtlakování vzdušníku. Může být ohrožena funkce pojistného ventilu. Ten je od výrobce nastaven na přípustný maximální tlak, je přezkoušen a označen.

Pojistný ventil se nesmí přestavovat.



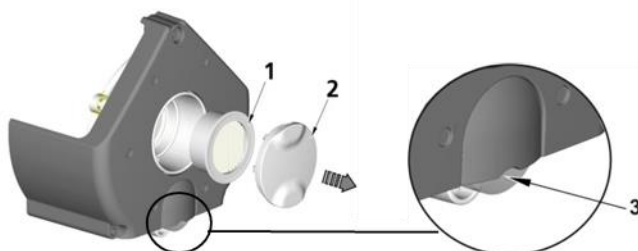
Nebezpečí úrazu při vypouštění stlačeného vzduchu.

Při kontrole pojistného ventilu je třeba chránit si zrak – použít ochranné brýle.

18.7. Výměna vstupního filtru

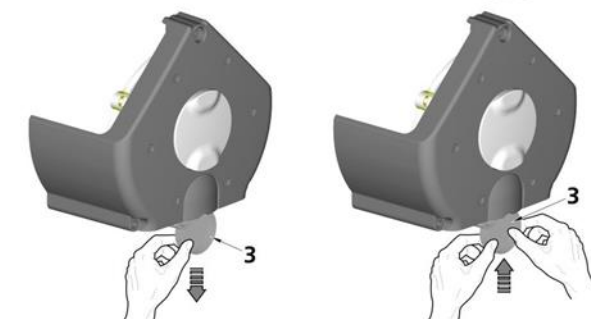
Výměna vstupního filtru:

- Rukou vytáhněte gumovou zátku (2).
- Vyjměte použitý a znečištěný filtr (1).
- Vložte nový filtr a nasadte gumovou zátku.



Výměna předfiltru:

- Rukou vytáhněte předfiltr (3).
- Vyměňte ho za nový a vložte zpět.



Obr. 18: Výměna vstupního filtru

18.8. Výměna filtrační vložky ve filtru

- Vytáhněte hadičku (1) z rychlospojky.
- Klíčem (2) povolte nádobku filtru (3) a odmontujte ji.

- Filtrační vložku (4) odmontujte jejím vytažením směrem dolů.
- Vložte novou vložku.
- Nasadte nádobku filtru.
- Klíčem jemně dotáhněte nádobku filtru.
- Osadte hadičku zpět do rychlospojky.



Obr. 19: Výměna filtrační vložky ve filtru

18.9. Kontrola chladiče a ventilátoru

Aby bylo sušení účinné, udržujte celé zařízení a zejména ventilátor kompresoru, ventilátor chladiče a chladič v čistotě. Odsajte nebo stlačeným vzduchem profoukněte usazený prach z povrchu chladicích žebér a ventilátorů.

18.10. Postup při zapojení kompresoru odpojeného od skříňky



Před každou prací na údržbě nebo opravě kompresor vypněte a odpojte ze sítě (vytáhněte síťovou zástrčku).

Kompresor (bez skříňky) potřebuje pro správnou činnost, aby propojka/můstek (jumper) byly osazeny vždy ve svorkovnici (Obr. 20 poz. C,D, Obr. 21 poz. D). Nahrazuje zapnutí vypínače umístěného ve skříňce.



Pokud není ve svorkovnici kompresoru (nepřipojeného ke skříňce) osazená propojka/můstek, kompresor nebude funkční!

V případě vyjmutí kompresoru ze skříňky a odpojení šňůry mezi kompresorem a skříňkou (vytáhnutím vidlice konektoru) není kompresor funkční. Proto je nejdříve nutné vytvořit propojení na svorkovnici propojkou/můstkem (nahradí funkci vypínače na skříňce) (Obr. 20 poz. A,B, Obr. 21 poz. A).

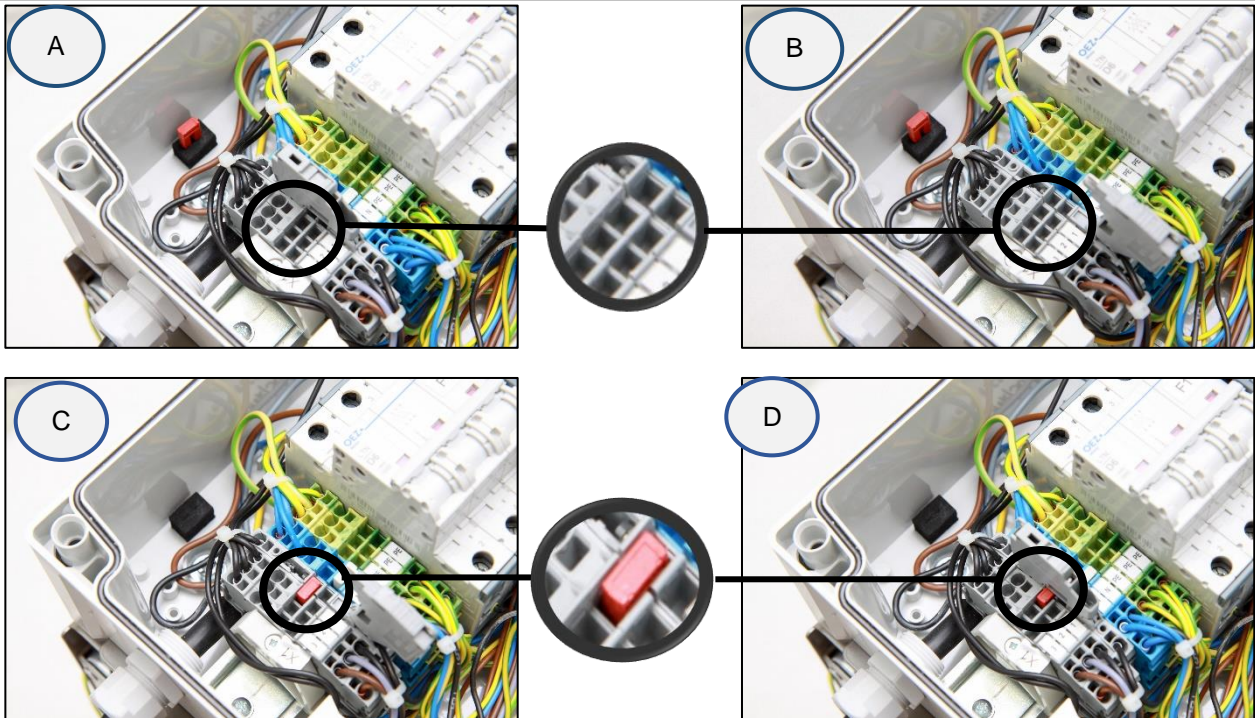
POSTUP:

Montáž propojky/můstku (postup A-B-C-D)

- Odpojte výrobek z elektrické sítě vytáhnutím vidlice ze zásuvky.
- Demontujte kryt elektropanelu (na kompresoru).
- Můstek není ve svorkovnici – A.
- Odklopte pojistkové pouzdro – B.
- Zasuňte můstek do svorkovnice – C.
- Zaklopte pojistkové pouzdro – D.

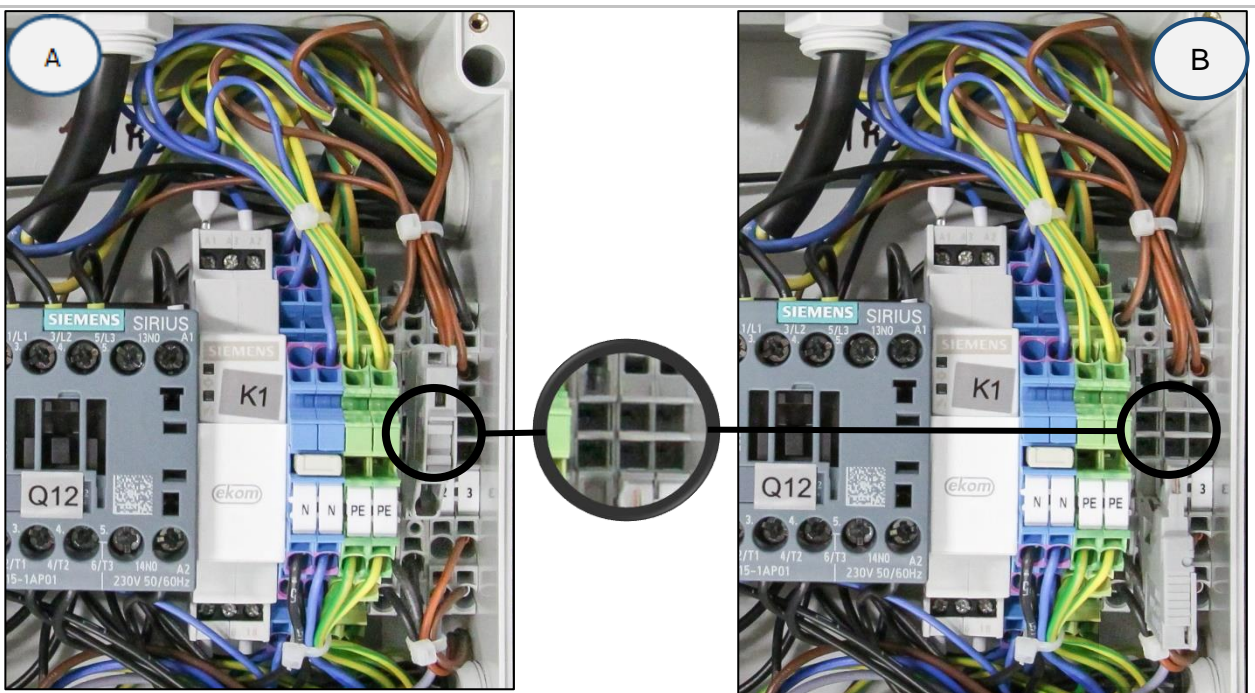
- Namontujte kryt elektropanelu zpět.
- Připojte výrobek do elektrické sítě.
- Kompresor uvedete do činnosti zapnutím vypínače na tlakovém spínači.

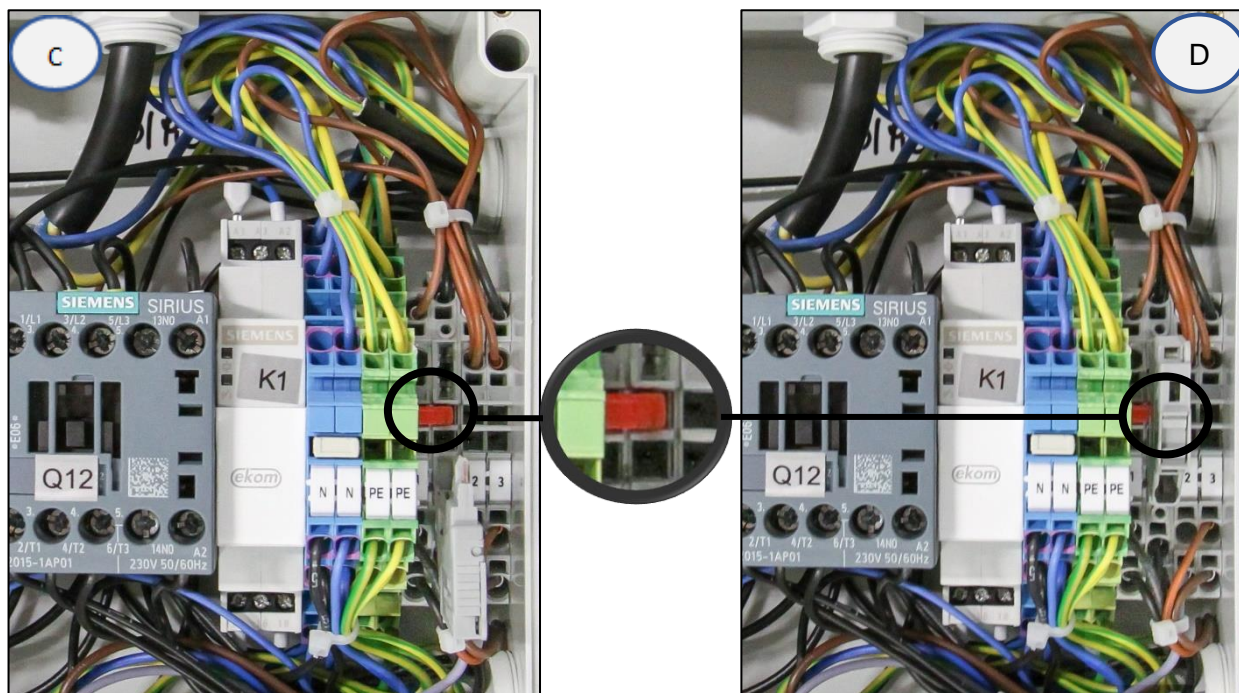
Obr. 20: DK50 4VR/50/M



400V

Obr. 21: DK50 2x4VR/110/M





400 V

18.11. Postup při zapojení kompresoru k nové skříňce



Před každou prací na údržbě nebo opravě kompresor vypněte a odpojte ze sítě (vytáhněte síťovou zástrčku).

Kompresor ve skříňce potřebuje pro správnou činnost, aby propojka/můstek (jumper) nebyly osazeny ve svorkovnici (Obr. 20 poz. A,B Obr. 21 poz. A). Vypínač umístěný ve skříňce zapíná a vypíná celý výrobek včetně kompresoru.



Pokud je ve svorkovnici kompresoru připojeného ke skříňce osazená propojka/můstek, vypínač na skříňce kompresoru nebude funkční!

Pokud ke kompresoru, který předtím nefungoval samostatně (kompresor bez skříňky), chceme připojit novou skříňku, potom je nutné zrušit propojení ve svorkovnici kompresoru provedením dále uvedeného postupu. (Obr. 20, Obr. 21). (Viz také kap. 13.1 a 13.2).

POSTUP:

Demontáž propojky/můstku (postup D-C-B-A)

- Odpojte výrobek z elektrické sítě vytáhnutím vidlice ze zásuvky.
- Demontujte kryt elektropanelu (na kompresoru).
- Můstek je ve svorkovnici – D
- Odklopte pojistkové pouzdro – C
- Vyměňte můstek ze svorkovnice – B
- Zaklopte pojistkové pouzdro – A
- Namontujte kryt elektropanelu zpět.
- Zasuňte kompresor do skříňky.
- Skříňku připojte ke kompresoru šňůrou s konektorem do zásuvky. (Obr. 13).

- Připojte výrobek do elektrické sítě.
- Kompresor uvedete do činnosti zapnutím vypínače na tlakovém spínači a vypínače (4) na skříňce (Obr. 14).

Kompresor se skříňkou – při činnosti ve skříňce **nesmí** být připojen do elektřiny. (Obr. 20 poz. A,B, Obr. 21 poz. A)

Poznámka: **Můstek, který není osazený ve svorkovnici, je nutné uschovat pro případ použití kompresoru bez skříňky nebo pro případ servisního zásahu** na určené místo u elektropanelu.

18.12. Čištění a dezinfekce vnějších ploch výrobku

K čištění a dezinfekci vnějších ploch výrobku používejte neutrální prostředky.



Používání agresivních čisticích a dezinfekčních prostředků obsahujících alkohol a chloridy může vést k poškození povrchu a změně barvy výrobku.

19. ODSTAVENÍ

V případě, že se kompresor nebude delší dobu používat, doporučujeme vypustit kondenzát z tlakové nádoby a kompresor uvést do provozu asi na 10 minut s otevřeným ventilem pro vypuštění kondenzátu. Pak kompresor vypněte vypínačem (2) na tlakovém spínači (1) (Obr. 14), uzavřete ventil k vypouštění kondenzátu a odpojte zařízení od elektrické sítě.

20. LIKVIDACE PŘÍSTROJE

- Odpojte zařízení od elektrické sítě.
- Vypusťte tlak vzduchu v tlakové nádrži otevřením ventilu pro vypouštění kondenzátu.
- Zařízení zlikvidujte podle místně platných předpisů.
- Tříděním a likvidací odpadu pověřte specializovanou firmu.
- Části výrobku po skončení jeho životnosti nemají negativní vliv na životní prostředí.

VYHLEDÁVÁNÍ PORUCH A JEJICH ODSTRANĚNÍ



Nebezpečí úrazu elektrickým proudem.

Před zásahem do zařízení je nutné odpojit ho od elektrické sítě (vytáhnout síťovou zástrčku).



Nebezpečí úrazu při práci s pneumatickými částmi pod tlakem.

Před zásahem do zařízení je třeba snížit tlak ve vzdušníku a v pneumatickém systému na nulu.



Činnosti související s odstraňováním poruch smí provádět pouze kvalifikovaný odborník servisní služby.



Nebezpečí nebezpečného nárůstu tlaku při poškození pojistného ventilu.

Pojistný ventil se nesmí přestavovat.

Porucha	Možná příčina	Řešení
Kompresor se nespustí	Chybí napětí ze sítě	Zkontrolujte napětí v zásuvce
		Zkontrolujte stav jističe – uveďte ho do stavu zapnuto „I“
		Vodič uvolněný ze svorky - opravte ho
		Zkontrolujte elektrickou šňůru – vadnou vyměňte
	Přerušené vinutí motoru, poškozená tepelná ochrana motoru	Vyměňte motor, resp. přeвиňte vinutí
	Vadný kondenzátor	Vyměňte kondenzátor
	Zadřený píst nebo jiná rotační část	Vyměňte poškozené části
	Nespíná tlakový spínač	Zkontrolujte funkčnost tlakového spínače
Vypínač skříňky nevypíná kompresor	V skrinke je umístěný kompresor, který pracoval samostatně (vo svorkovnici kompresora je mostík)	Odstraňte můstek ve svorkovnici, viz kap 18.11
Kompresor spíná často.	Únik vzduchu z pneumatického rozvodu	Zkontrolujte pneumatický rozvod – uvolněný spoj utěsňte
	Netěsnost zpětného ventilu (ZV)	Vyčistěte ZV, vyměňte těsnění, vyměňte ZV
	V tlakové nádobě je větší množství zkondenzované kapaliny	Vypusťte zkondenzovanou kapalinu
Chod kompresoru se prodlužuje	Únik vzduchu z pneumatického rozvodu	Zkontrolujte pneumatický rozvod – uvolněný spoj utěsňte
	Opotřebený pístní kroužek	Vyměňte opotřebený pístní kroužek
	Znečištěný vstupní filtr a předřazený filtr	Nahradte znečištěné filtry novými
	Nesprávná funkce solenoidního ventilu	Opravte nebo vyměňte ventil
Kompresor je hlučný (klepání,	Poškozené ložisko pístu, ojnice, ložisko motoru	Vyměňte poškozené ložisko

kovové zvuky)	Uvolněný (prasklý) tlumicí prvek (pružina)	Vyměňte poškozenou pružinu
Sušič nesuší (ve vzduchu se objevuje kondenzát) *	Nefunkční ventilátor chladiče	Vyměňte ventilátor Zkontrolujte přívod elektrické energie
	Poškozený sušič	Vyměňte sušič
	Automatický odvod kondenzátu není funkční	Vyčistěte/vyměňte

)* Při poruše sušiče je nutné důkladně vyčistit vnitřní povrch vzdušníku a dokonale odstranit zkondenzovanou kapalinu.



K zajištění ochrany připojeného zařízení před poškozením je třeba zkontrolovat vlhkost vypouštěného vzduchu ze vzdušníku (viz kap. Technické údaje).

21. INFORMACE O OPRAVÁRENSKÉ SLUŽBĚ

Záruční a pozáruční opravy zajišťuje výrobce nebo firmy a servisní pracovníci určení dodavatelem.

Upozornění.

Výrobce si vyhrazuje právo provést u výrobku změny, které však neovlivní podstatné vlastnosti přístroje.

ANNEX / ANHANG / ANNEXE / ПРИЛОЖЕНИЕ / ZAŁĄCZNIK / PRÍLOHA / PŘÍLOHA**22. INSTALLATION RECORD**

1. Product: (model) DK50 4VR/50 DK50 4VR/50S DK50 4VR/50/M DK50 4VR/50S/M DK50 2x4VR/110 DK50 2x4VR/110S DK50 2x4VR/110/M DK50 2x4VR/110S/M		2. Serial number:	
3.1. User's name:			
3.2. Address of installation:			
4. Equipment connected to the compressor:			
5. Installation / Commissioning:		6. Contents of operator training:	
Product completeness check **	Y	Description of the product and functions**	Y
	N		N
Documentation completeness check **	Y	Product operation: turning on/off, controls, control procedures, data on the display panel, alarms, operation in alarm conditions**	Y
	N		N
Installation/connection to equipment **	Y	Product maintenance: maintenance intervals, maintenance procedure, service intervals, operating activities**	Y
	N		N
Functional test **	Y	Safety measures, warnings – their meaning and compliance **	Y
	N		N
Notes:			
7. Operator instructed on safety measures, operations and maintenance:			
Name:		Signature:	
Name:		Signature:	
Name:		Signature:	
8. Installation and instruction performed by: First name/Last name		Signature:	
Company:		Address:	
Phone:			
Email:		Date:	
9. Distributor:			
Company:		Address:	
Contact person:			
Phone:		Email:	

** mark with an "X" in points 5 and 6 (Y - yes /N - no). Enter any observations from points 5 and 6 into the "Notes" section



22. INSTALLATIONSprotokoll

1. Produkt: (Modell) DK50 4VR/50 DK50 4VR/50S DK50 4VR/50/M DK50 4VR/50S/M DK50 2x4VR/110 DK50 2x4VR/110S DK50 2x4VR/110/M DK50 2x4VR/110S/M		2. Seriennummer:	
3.1. Benutzername:			
3.2. Aufstellungsort:			
4. An den Kompressor angeschlossene Geräte:			
5. Installation / Inbetriebnahme:		6. Inhalte der Bedienschulung:	
Vollständigkeitsprüfung des Produkts**	J	Beschreibung des Produkts und der Funktionen**	J
	N		N
Dokumentation der Vollständigkeitsprüfung**	J	Produktbetrieb: Ein-/Ausschalten, Steuerungen, Steuerungsabläufe, Daten auf dem Display, Alarme, Betrieb bei Alarmzustand**	J
	N		N
Installation/Anschluss an Gerät**	J	Produktwartung: Wartungsintervalle, Wartungsablauf, Serviceintervalle, Betriebsabläufe**	J
	N		N
Funktionstest**	J	Sicherheitsmaßnahmen, Warnmeldungen – Bedeutung und Befolgung**	J
	N		N
Hinweise:			
7. Der Bediener wurde über die Sicherheitsmaßnahmen, über Abläufe und Wartung instruiert:			
Name:		Unterschrift:	
Name:		Unterschrift:	
Name:		Unterschrift:	
8 Installation und Anweisung vorgenommen durch: Vorname/Nachname		Unterschrift:	
Firma:		Adresse:	
Telefon:			
E-Mail:		Datum:	
9 Vertriebshändler:			
Firma:		Adresse:	
Ansprechpartner:			
Telefon:		E-Mail:	

**für Punkte 5 und 6 mit einem „X“ markieren (J – Ja/N – Nein). Geben Sie alle Beobachtungen aus den Punkten 5 und 6 im Abschnitt „Hinweise“ ein.



22. REGISTRE D'INSTALLATION

Produit : (modèle) DK50 4VR/50 DK50 4VR/50S DK50 4VR/50/M DK50 4VR/50S/M DK50 2x4VR/110 DK50 2x4VR/110S DK50 2x4VR/110/M DK50 2x4VR/110S/M		2. Numéro de série :	
3.1. Nom de l'utilisateur :			
3.2. Adresse de l'installation :			
4. Équipement raccordé au compresseur :			
5. Installation/mise en service :		6. Contenu de la formation des opérateurs :	
Vérification de l'intégralité de l'appareil **	<input type="radio"/> O	Description de l'appareil et de ses fonctions **	<input type="radio"/> O
	<input type="radio"/> N		<input type="radio"/> N
Vérification de l'intégralité de la documentation **	<input type="radio"/> O	Fonctionnement de l'appareil : mise en marche/arrêt, commandes, procédures de commande, données sur le panneau d'affichage, alarmes, fonctionnement des conditions d'alarme**	<input type="radio"/> O
	<input type="radio"/> N		<input type="radio"/> N
Installation/raccordement à l'appareil	<input type="radio"/> O	Entretien de l'appareil : Intervalles de maintenance, procédure d'entretien, intervalles d'entretien, activités d'exploitation**	<input type="radio"/> O
	<input type="radio"/> N		<input type="radio"/> N
Test fonctionnel **	<input type="radio"/> O	Mesures de sécurité, avertissements : signification et conformité **	<input type="radio"/> O
	<input type="radio"/> N		<input type="radio"/> N
Remarque :			
7. Opérateur instruit sur les mesures de sécurité, les opérations et la maintenance :			
Nom :		Signature :	
Nom :		Signature :	
Nom :		Signature :	
8. Installation réalisée par : Prénom/Nom		Signature :	
Société :		Adresse :	
Téléphone :			
E-mail :		Date :	
9. Distributeur :			
Société :		Adresse :	
Personne de contact :			
Téléphone :		E-mail :	

** marquer d'un « X » aux points 5 et 6 (O - oui /N - non). Saisir les observations des points 5 et 6 dans la section « Remarques ».



22. ОТЧЕТ ОБ УСТАНОВКЕ

Изделие: (модель) DK50 4VR/50 DK50 4VR/50S DK50 4VR/50/M DK50 4VR/50S/M DK50 2x4VR/110 DK50 2x4VR/110S DK50 2x4VR/110/M DK50 2x4VR/110S/M		2. Серийный номер:	
3.1. Имя пользователя:			
3.2. Адрес проведения установки:			
4. Оборудование, подсоединенное к компрессору			
5. Установка / ввод в эксплуатацию		6. Этапы подготовки оператора	
Проверка комплектации изделия**	Д	Описание изделия и его функций**	Д
	Н		Н
Проверка наличия документации**	Д	Эксплуатация изделия: включение и выключение, элементы управления, контрольные процедуры, отображение данных на дисплее, аварийные сигналы, эксплуатация в случае получения аварийных сигналов**	Д
	Н		Н
Установка / подсоединение к оборудованию**	Д	Техническое обслуживание: интервалы и процедуры технического обслуживания, служебные интервалы и эксплуатационные меры**	Д
	Н		Н
Функциональные испытания**	Д	Меры безопасности, предупреждения (их значение и соответствие им)**	Д
	Н		Н
Примечания:			
7. Оператор проинструктирован по поводу мер безопасности, эксплуатации и технического обслуживания			
ФИО:		Подпись:	
ФИО:		Подпись:	
ФИО:		Подпись:	
8. Кем выполнены установка и инструктаж Имя / фамилия		Подпись:	
Компания:		Адрес:	
Телефон:			
Электронная почта:		Дата:	
9. Дистрибьютор			
Компания:		Адрес:	
Контактное лицо:			
Телефон:		Электронная почта:	

** Отметьте пп. 5 и 6 значком «X» («Да» или «Нет»). Внесите в раздел «Примечания» какие-либо замечания на основе данных пп. 5 и 6.



22. DOKUMENTACJA INSTALACJI

Product: (model) DK50 4VR/50 DK50 4VR/50S DK50 4VR/50/M DK50 4VR/50S/M DK50 2x4VR/110 DK50 2x4VR/110S DK50 2x4VR/110/M DK50 2x4VR/110S/M		2. Numer seryjny	
3.1. Instrukcja obsługi:			
3.2. Adres instalacji:			
4. Sprzęt podłączony do sprężarki:			
5. Instalacja / Uruchomienie urządzenia:		6. Spis treści szkolenia operatorów:	
Sprawdzenie kompletności produktu **	T	Opis produktu i funkcji**	T
	N		N
Sprawdzanie kompletności dokumentów **	T	Działanie produktu: włączanie/wyłączanie, sterowanie, procedury sterowania, dane na wyświetlaczu, alarmy, obsługa w warunkach alarmowych**.	T
	N		N
Instalacja/podłączenie sprzętu **	T	Konservacja produktu: przerwy między przeglądami, procedury konserwacji, okresy międzyprzeglądowe, działalności operacyjne**	T
	N		N
Test funkcjonalny **	T	Środki bezpieczeństwa, ostrzeżenia – ich znaczenie i zgodność **	T
	N		N
Uwagi::			
7. Operator został poinformowany o środkach bezpieczeństwa, działaniach i konserwacji:			
Imię i nazwisko:		Podpis:	
Imię i nazwisko:		Podpis:	
Imię i nazwisko:		Podpis:	
8. Instalacja i instruktaż przeprowadzone przez Imię/Nazwisko		Podpis:	
Firma:		Adres:	
Telefon:			
Email:		Data:	
9. Dystrybutor:			
Firma:		Adres:	
Osoba kontaktowa:			
Telefon:		Email :	

** umieścić znak „X” w punktach 5 i 6 (T – tak /N – nie). Wszelkie uwagi z punktów 5 i 6 w rubryce „Uwagi”



22. ZÁZNAM O INŠTALÁCII

1. Výrobok: (typ) DK50 4VR/50 DK50 4VR/50S DK50 4VR/50/M DK50 4VR/50S/M DK50 2x4VR/110 DK50 2x4VR/110S DK50 2x4VR/110/M DK50 2x4VR/110S/M		2. Výrobné číslo:	
3.1. Názov užívateľa:			
3.2. Adresa inštalácie:			
4. Zariadenia pripojené ku kompresoru:			
5. Inštalácia / Uvedenie do prevádzky:		6. Obsah zaučenia obsluhy:	
Kontrola úplnosti výrobku **	A	Popis výrobku a popis funkcie**	A
	N		N
Kontrola úplnosti dokumentácie **	A	Obsluha výrobku : zapnúť /vypnúť, ovládacie prvky, postupy ovládania, údaje na zobrazovacom paneli, alarmy, činnosť pri alarmoch**	A
	N		N
Inštalácia/pripojenie k zariadeniu **	A	Údržba výrobku : intervaly údržby, postup pri údržbe, servisné intervaly, činnosť obsluhy**	A
	N		N
Funkčná skúška **	A	Bezpečnostné opatrenia, upozornenia – ich význam a dodržiavanie **	A
	N		N
Poznámky:			
7. Obsluha poučená o bezpečnostných opatreniach, prevádzke a údržbe :			
Meno :		Podpis :	
Meno :		Podpis :	
Meno :		Podpis :	
8. Inštaláciu a poučenie vykonal: Meno/Priezvisko		Podpis:	
Firma:		Adresa:	
Telefón:			
E-mail :		Dátum:	
9. Distribútor:			
Firma:		Adresa:	
Kontaktná osoba :			
Telefón:		E-mail :	

** v bodoch 5 a 6 označiť "X" (A - áno /N - nie). Pozorovania k bodom 5 a 6 zapísať do časti „Poznámky“



22. ZÁZNAM O INSTALACI

Výrobek: (typ) DK50 4VR/50 DK50 4VR/50S DK50 4VR/50/M DK50 4VR/50S/M DK50 2x4VR/110 DK50 2x4VR/110S DK50 2x4VR/110/M DK50 2x4VR/110S/M		2. Výrobní číslo:	
3.1. Jméno uživatele:			
3.2. Adresa instalace:			
4. Zařízení připojené ke kompresoru:			
5. Instalace / uvedení do provozu:		6. Obsah zaučení obsluhy:	
Kontrola úplnosti výrobku**	A	Popis výrobku a popis funkcí**	A
	N		N
Kontrola úplnosti dokumentace**	A	Obsluha výrobku: zap./vyp., ovládací prvky, postupy ovládání, údaje na zobrazovacím panelu, alarmy, činnosti při alarmech**	A
	N		N
Instalace / připojení k zařízení**	A	Údržba výrobku: intervaly údržby, postup při údržbě, servisní intervaly, činnost obsluhy**	A
	N		N
Zkouška funkčnosti **	A	Bezpečnostní opatření, upozornění – jejich význam a dodržování**	A
	N		N
Poznámky:			
7. Obsluha poučená o bezpečnostních opatřeních, provozu a údržbě:			
Jméno:		Podpis:	
Jméno:		Podpis:	
Jméno:		Podpis:	
8. Instalaci a poučení vykonal/a – Jméno/příjmení		Podpis:	
Firma:		Adresa:	
Telefon:			
E-mail:		Datum:	
9. Distributor:			
Firma:		Adresa:	
Kontaktní osoba:			
Telefon:		E-mail:	

** v bodech 5 a 6 označit „X“ (A – ano /N – ne). Pozorování k bodům 5 a 6 zapsat do části „Poznámky“.



DK50 4VR/50

DK50 2X4VR/110



EKOM spol. s r.o.

Priemyselná 5031/18, 921 01 PIEŠŤANY

Slovak Republic

tel.: +421 33 7967 211, fax: +421 33 7967 223

e-mail: ekom@ekom.sk, www.ekom.sk

NP-DK50 4VR 50, DK50 2x4VR 110-MD-9_05-2022

112000445-000

www.ekom.sk